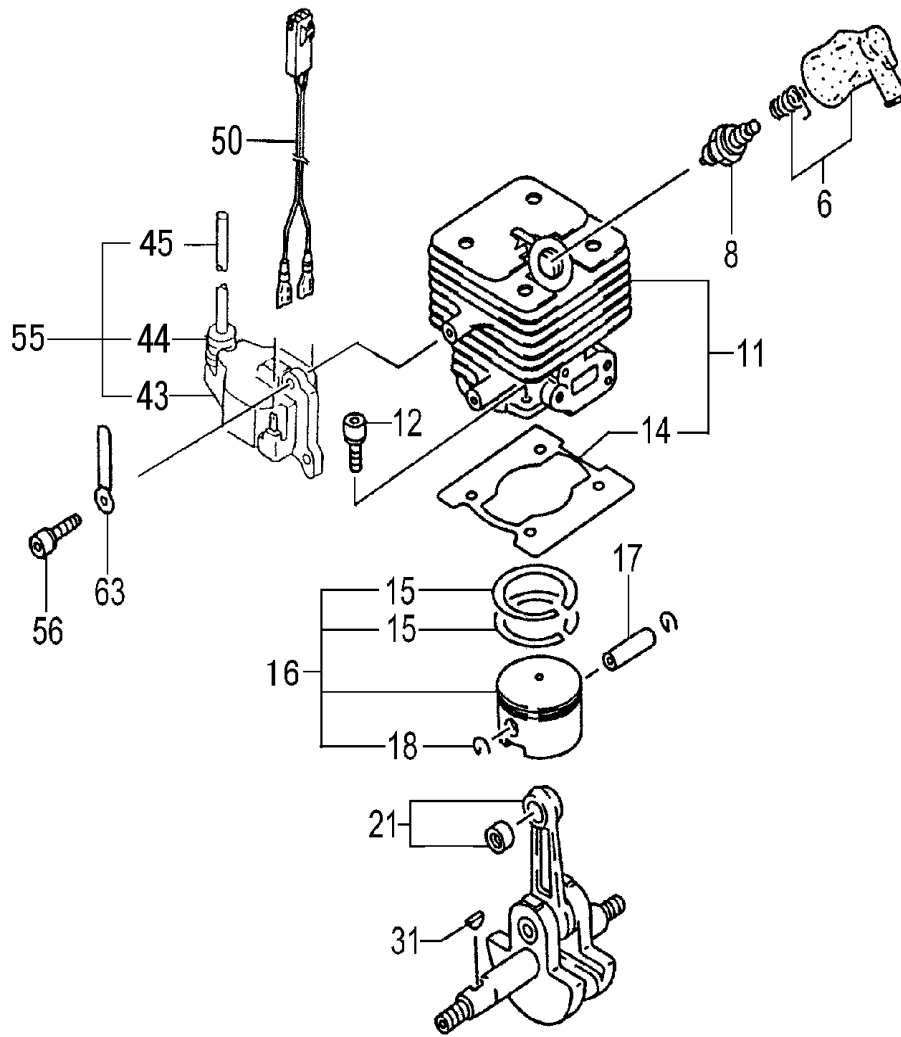


B38

(For Europe)

CG40EY(T)
Serial No. -

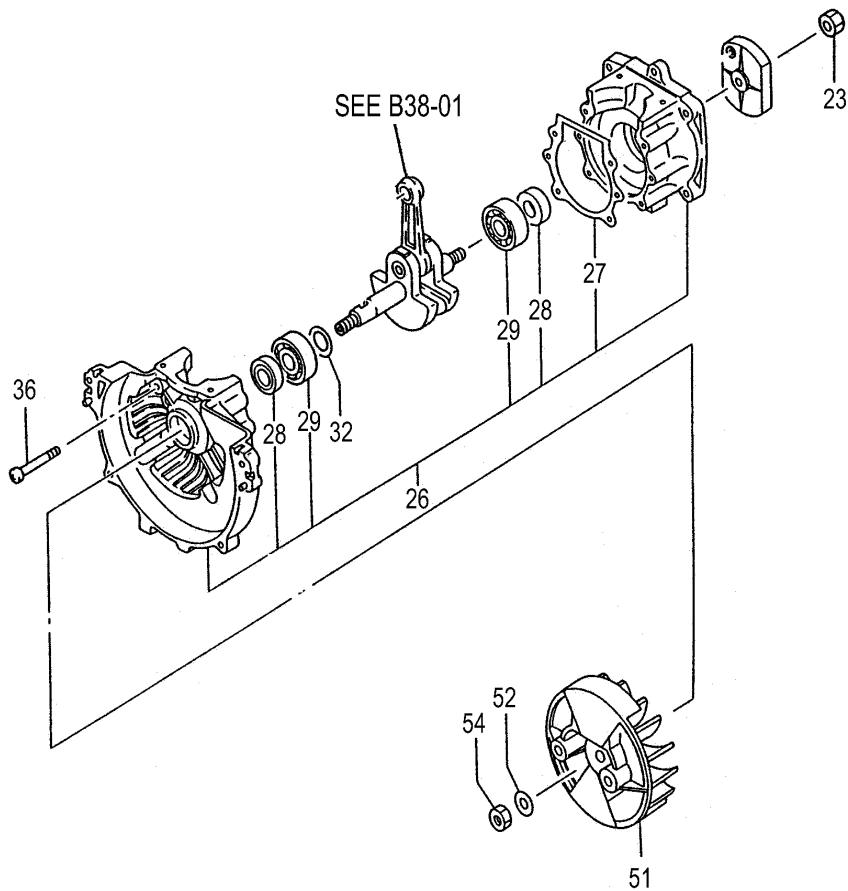
B38-01 CYLINDER/PISTON/CRANK SHAFT



Ser

REF. NUMBER	SERVICE CODE No.	DESCRIPTION	Q'TY	REMARKS /SERIAL NO.
B38-01 CYLINDER/PISTON/CRANK SHAFT				
006	668-7466	SPARK PLUG CAP ASS'Y	1	
008	668-5086	SPARK PLUG BPMR6A	1	
011	668-5474	CYLINDER SET	1	
012	668-4668	HEX.HOLE BOLT M5X20/S	4	
014	668-5740	CYLINDER GASKET	1	
015	668-6123	PISTON RING	2	
016	668-5888	PISTON SET	1	
017	668-6007	PISTON PIN 10X30	1	
018	668-6032	PISTON PIN CIRCLIP	2	
021	668-6191	CRANK SHAFT COMP.	1	
031	668-6457	WOOD-RUFF KEY 3X13X5	1	
043	668-7655	IGNITION COIL COMP.	1	
044	668-4602	RUBBER CAP	1	
045	668-7885	HIGHT TENSION CORD	1	
050	668-7970	LEAD WIRE ASS'Y	1	
055	668-7657	IGNITION COIL ASS'Y	1	
056	668-4599	HEX.HOLE BOLT M4X18/WS	2	
063	668-8011	CORD CLAMP COMP.	1	

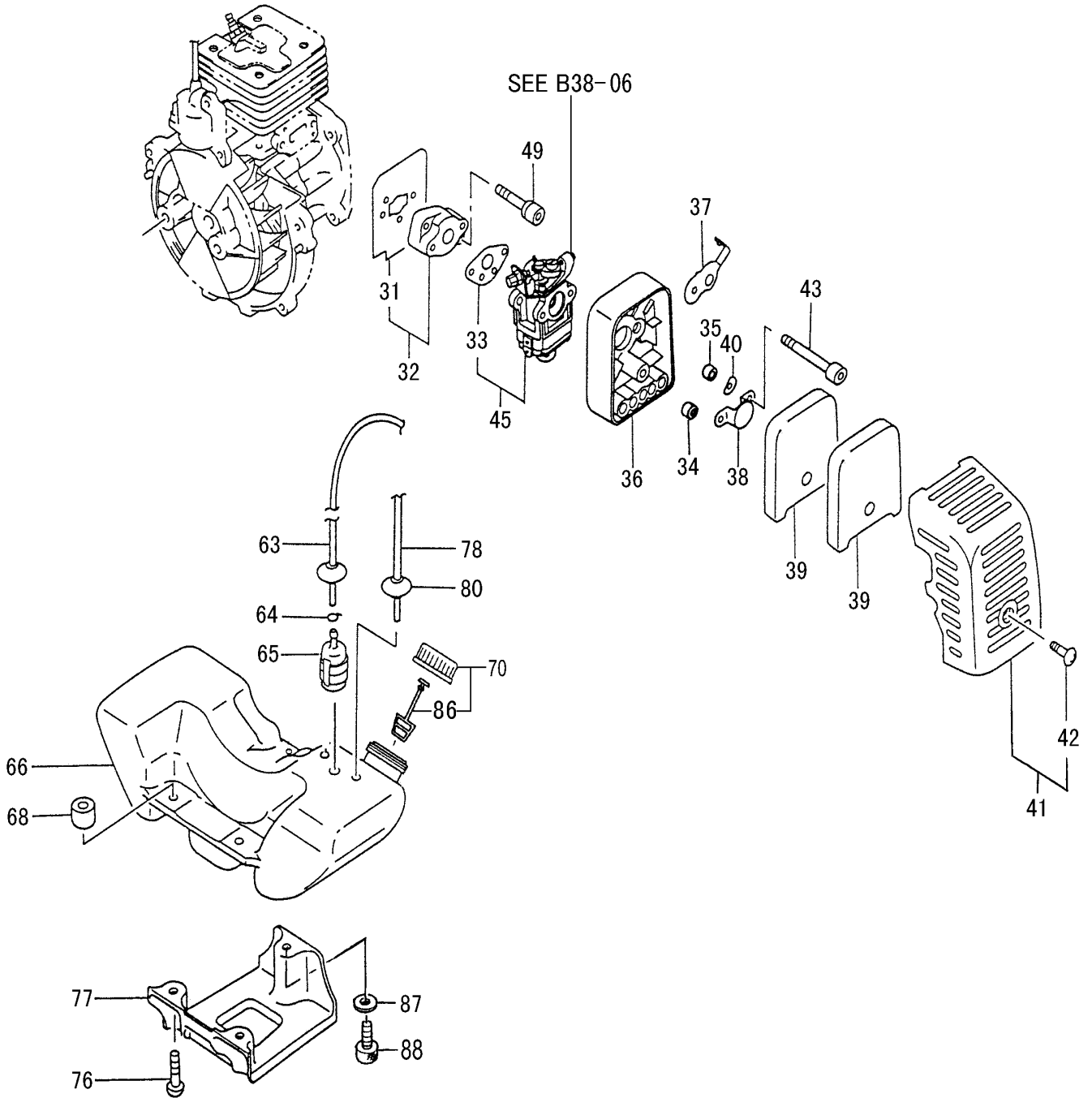
B38-02 CRANK CASE



Serial N

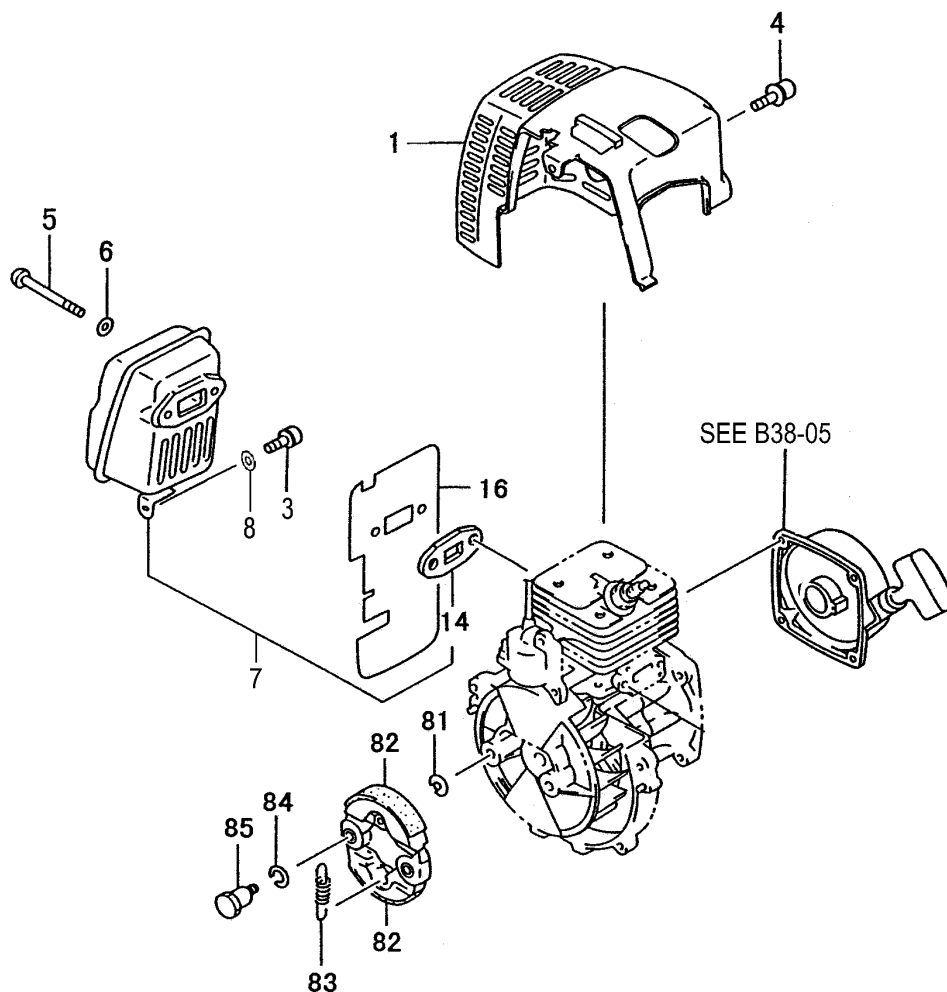
REF. NUMBER	SERVICE CODE No.	DESCRIPTION	Q'TY	REMARKS /SERIAL NO.
B38-02 CRANK CASE				
023	669-5139	SMALL NUT 10	1	
026	668-6556	CRANK CASE ASS'Y	1	
027	668-6714	CRANK CASE GASKET	1	
028	669-5637	OIL SEAL UD15257	2	
029	669-5557	BALL BEARING #6202, 35MM/OD	2	
032	668-6472	CRANK SHAFT SHIM 0.20	V	
032	668-6473	CRANK SHAFT SHIM 0.30	V	
036	668-4786	HEX. SOCKET HD. BOLT M5X30 S	4	
051	668-7372	MAGNETO ROTOR COMP.	1	
052	669-5198	WASHER 10	1	
054	669-5137	SMALL NUT 10	1	

B38-03 ENGINE-1



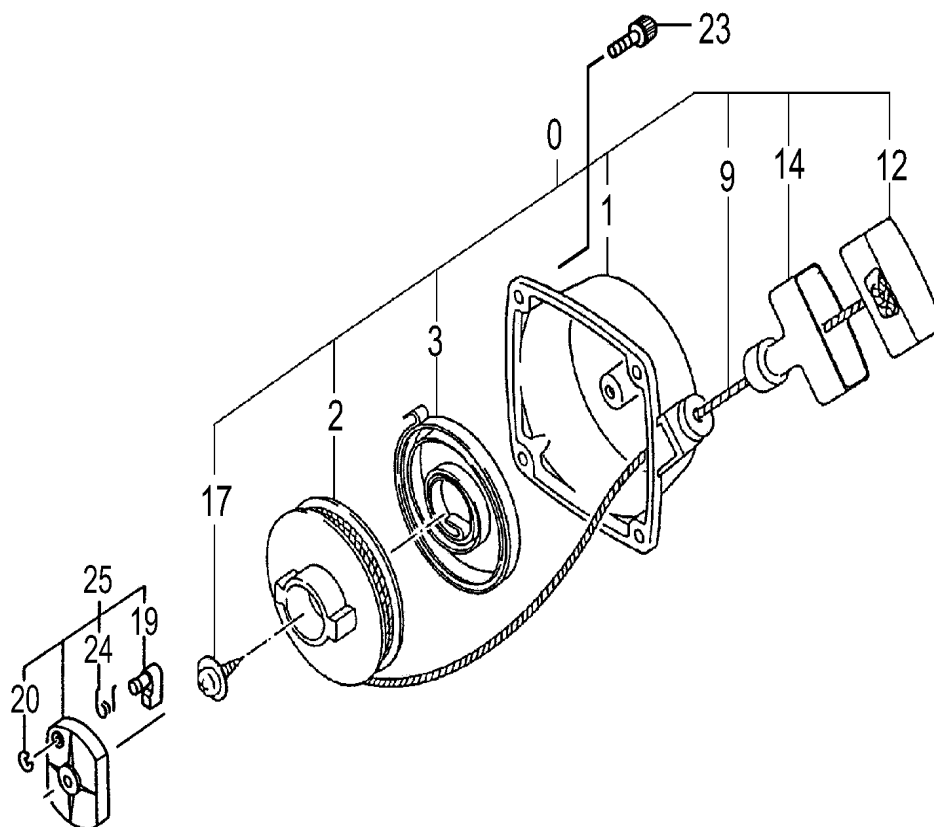
REF. NUMBER	SERVICE CODE No.	DESCRIPTION	Q'TY	REMARKS /SERIAL NO.
B38-03 ENGINE-1				
031	668-9885	INLET MANIFOLD GASKET	1	
032	668-9955	CARB.INSULATOR SET, SPARE	1	
033	668-9833	CARBURETOR GASKET	1	
034	669-0430	COLLAR	1	
035	669-0802	COLLAR	1	
036	669-0099	CLEANER BODY COMP.	1	
037	669-1258	CHOKE VALVE	1	
038	669-0843	BLOW OVER CHECK BOARD	1	
039	669-0352	CLEANER ELEMENT 6T	2	
040	668-4658	WAVE WASHER 8	1	
041	669-0397	CLEANER COVER ASS'Y	1	
042	668-9737	SPECIAL SCREW	1	
043	669-5353	SCREW 5X57/S	2	
045	669-0474	CARBURETOR SET WYJ389	1	
049	669-5515	HEX. HOLE BOLT 5X25WS	2	
063	668-4618	FUEL PIPE	1	
064	668-4619	CLIP,6.3 DIA.	1	
065	669-2273	PUMP FILTER BODY ASS'Y	1	
066	669-1533	TANK	1	
068	668-4623	COLLAR C	3	
070	669-1763	TANK CAP D ASS'Y, BLACK	1	
076	668-4634	HEX.HOLE BOLT 5X20/PS	2	
077	669-4785	ENGINE BED	1	
078	668-4880	FUEL PIPE 3X5X80	1	
080	668-8156	FUEL PIPE GROMMET	1	
086	668-4625	TANK CAP CHAIN	1	
087	668-4918	WASHER M5	1	
088	669-5492	HEX. HOLE BOLT 5X22/S	1	
Serial No. -				

B38-04 ENGINE-2



REF. NUMBER	SERVICE CODE No.	DESCRIPTION	Q'TY	REMARKS /SERIAL NO.
B38-04 ENGINE-2				
001	669-2780	MUFFLER PROTECTOR	1	
003	668-4667	HEX.HOLE BOLT M5X12/S	1	
004	669-5512	HEX. HOLE BOLT 5X15 WS	1	
005	669-5067	HEX.HOLE BOLT 6X65	2	
006	668-4639	WASHER 6	2	
007	669-2468	MUFFLER SET P/N	1	
008	668-4918	WASHER M5	1	
014	669-2741	MUFFLER GASKET	1	
016	668-7243	HEAT SHIELD	1	
081	668-9645	CLUTCH WASHER B	2	
082	668-8614	CLUTCH ARM COMP.	2	
083	668-9428	CLUTCH SPRING	1	
084	669-5203	WAVE WASHER 10	2	
085	668-9632	CLUTCH STEP BOLT	2	

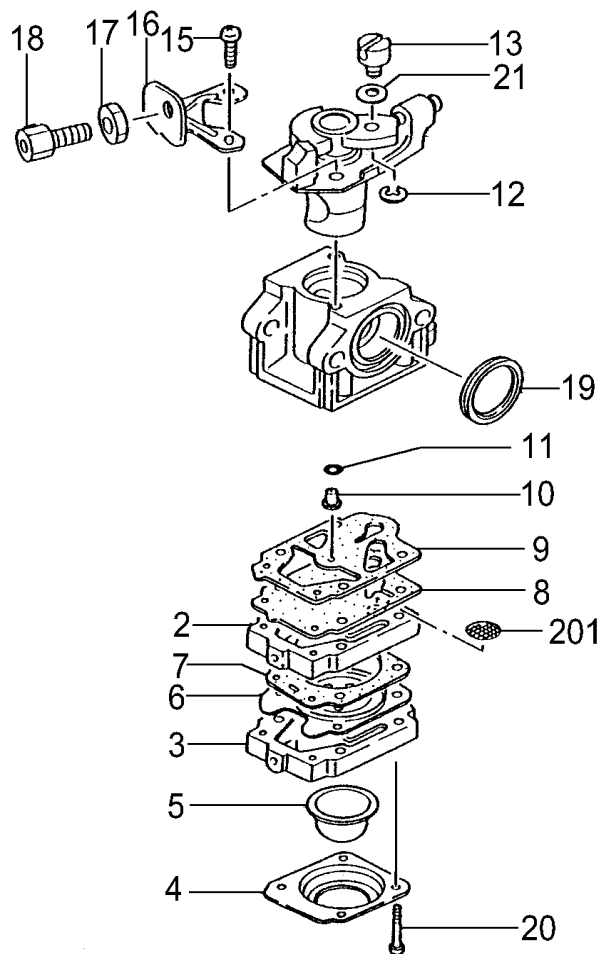
B38-05 RECOIL STARTER



Serial No. -

REF. NUMBER	SERVICE CODE No.	DESCRIPTION	Q'TY	REMARKS /SERIAL NO.
B38-05 RECOIL STARTER				
000	669-2970	RECOIL STARTER BODY ASS'Y	1	
001	669-3025	RECOIL STARTER BODY COMP.	1	
002	669-3007	STARTER ROPE REEL	1	
003	669-3114	RECOIL SPRING	1	
009	669-3165	STARTER ROPE	1	
012	669-3607	STARTER HANDLE CAP	1	
014	669-3232	STARTER HANDLE	1	
017	669-3634	SET SCREW	1	
019	669-3302	STARTER PAWL	1	
020	668-4683	STOP RING E-5	1	
023	668-4634	HEX.HOLE BOLT 5X20/PS	4	
024	669-3345	STARTER PAWL SPRING	1	
025	669-3395	STARTER PULLEY	1	

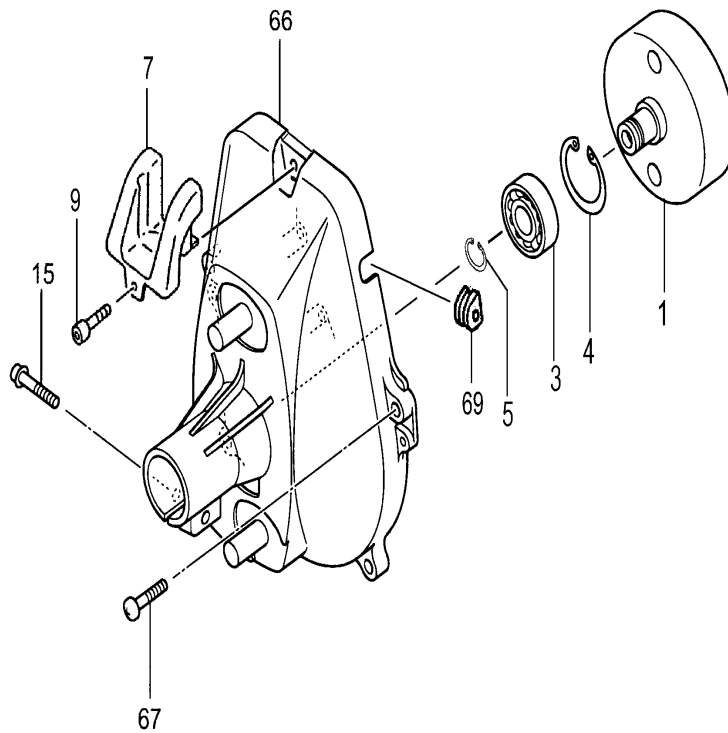
B38-06 CARBURETOR



Serial No. -

REF. NUMBER	SERVICE CODE No.	DESCRIPTION	Q'TY	REMARKS /SERIAL NO.
B38-06 CARBURETOR				
002	668-4879	PUMP BODY COMP.	1	
003	668-4687	PRIMING PUMP COMP.	1	
004	668-4688	DIAPHRAGM COVER	1	
005	668-4689	PRIMING BODY	1	
006	669-0827	METERING DIAPHRAGM COMP.	1	
007	668-4691	DIAPHRAGM GASKET	1	
008	668-4693	PUMP DIAPHRAGM	1	
009	669-1457	PUMP GASKET	1	
010	NLA	No Longer Available	1	
011	668-4695	O-RING	1	
012	668-4696	STOP RING	1	
013	668-4697	SWIVEL	1	
015	668-4870	THROTTLE SET SCREW	2	
016	668-4873	CABLE ADJUSTER STAY	1	
017	668-4872	LOCK NUT M6	1	
018	668-4871	CABLE ADJUSTER	1	
019	668-4875	CLEANER PACKING	1	
020	668-4699	SET SCREW	4	
021	668-4874	THRUST WASHER	1	
201	668-4700	INLET SCREEN	1	

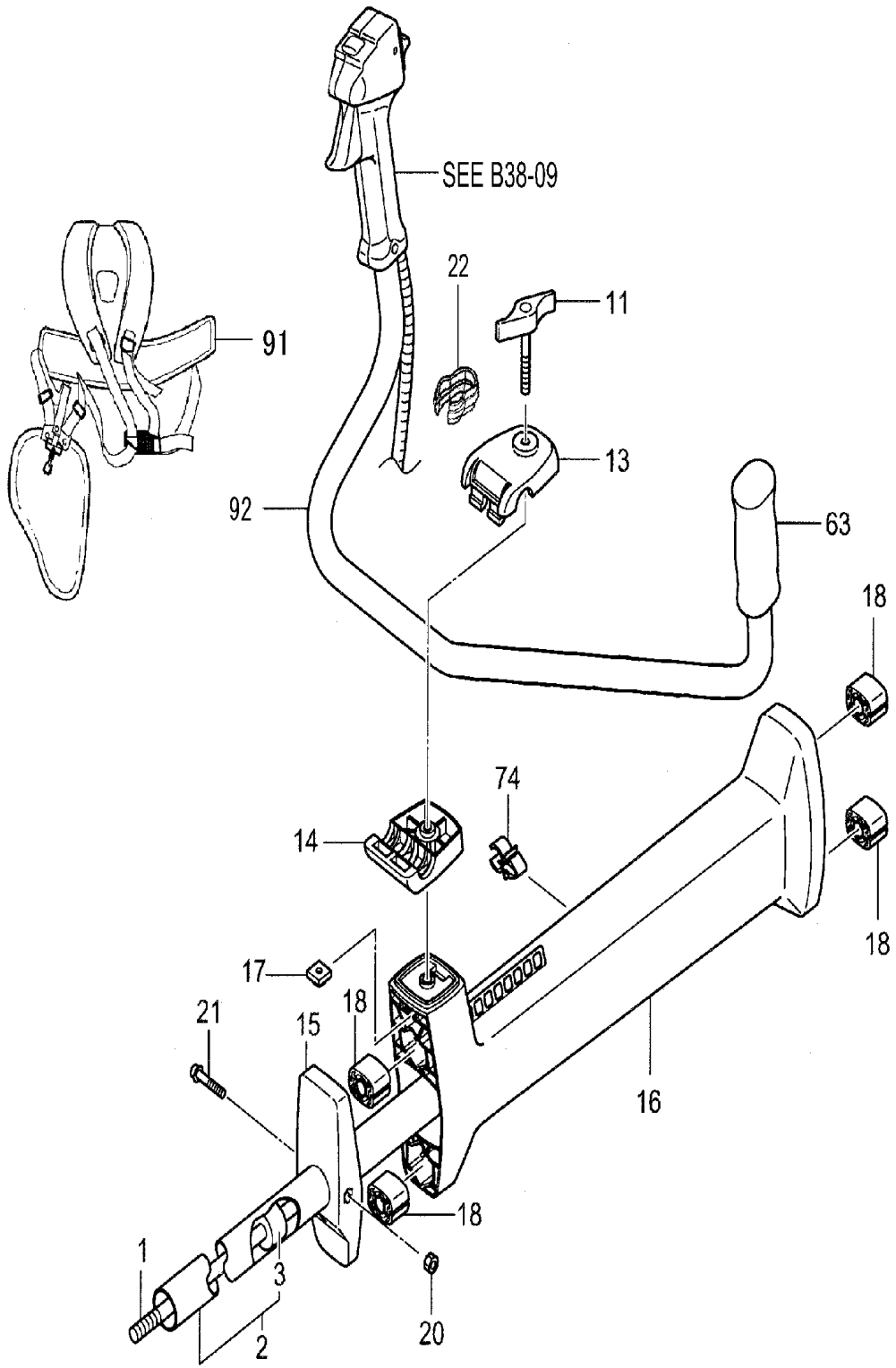
B38-07 FAN CASE



Serial No. -

REF. NUMBER	SERVICE CODE No.	DESCRIPTION	Q'TY	REMARKS /SERIAL NO.
B38-07 FAN CASE				
001	668-8585	CLUTCH SHAFT COMP.	1	
003	669-5558	BALL BEARING #6202ZZ, 35MM/OD	1	
004	669-5296	STOP RING C-35, INNER	1	
005	669-5285	STOP RING C-15, OUTER	1	
007	668-8346	SPARK PLUG COVER	1	
009	668-4634	HEX.HOLE BOLT 5X20/PS	1	
015	669-5093	HEX.HOLE BOLT 6X25	1	
066	668-6980	FAN CASE	1	
067	668-4668	HEX.HOLE BOLT M5X20/S	4	
069	668-8057	PRIMARY CORD GROMMET	1	

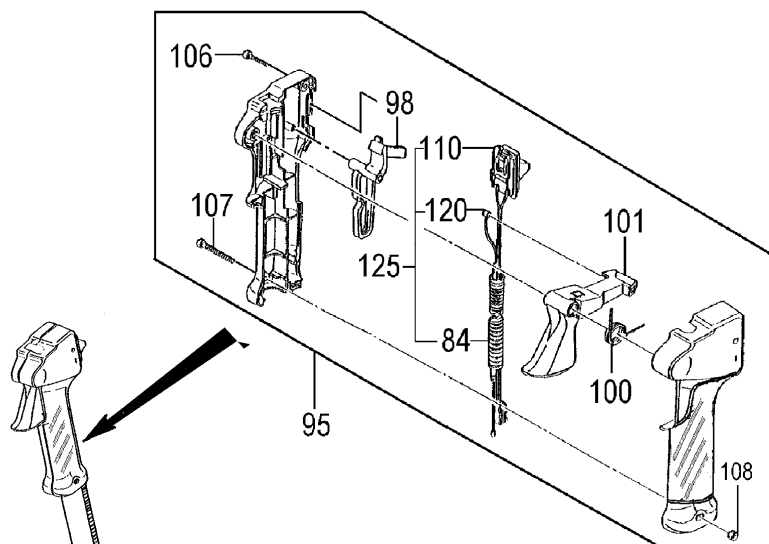
B38-08 OPERATION PIPE



Serial

REF. NUMBER	SERVICE CODE No.	DESCRIPTION	Q'TY	REMARKS /SERIAL NO.
B38-08 OPERATION PIPE				
001	668-9476	DRIVE SHAFT, 1552L	1	
002	668-9403	DRIVE SHAFT PIPE	1	
003	668-9515	BUSHING ASS'Y	5	
011	669-1207	KNOB BOLT	1	
013	669-1143	HANDLE BRACKET A	1	
014	669-1159	HANDLE BRACKET B	1	
015	669-1237	SUPPORT HOLDER	1	
016	669-1232	HANDLE SUPPORT COMP.	1	
017	668-9102	SPECIAL NUT M6X1.0	1	
018	668-9165	ANTI-VIBE RUBBER	4	
020	669-5175	NUT 6 UPS-P	1	
021	669-5094	HEX. HOLE BOLT 6X30	1	
022	668-8016	CORD CLAMP	1	
063	668-7627	HANDLE GRIP	1	
074	668-8025	CORD CLAMP	3	
091	669-6183	SHOULDER BELT BLK D5	1	
092	669-1079	HANDLE	1	
Serial No. -				

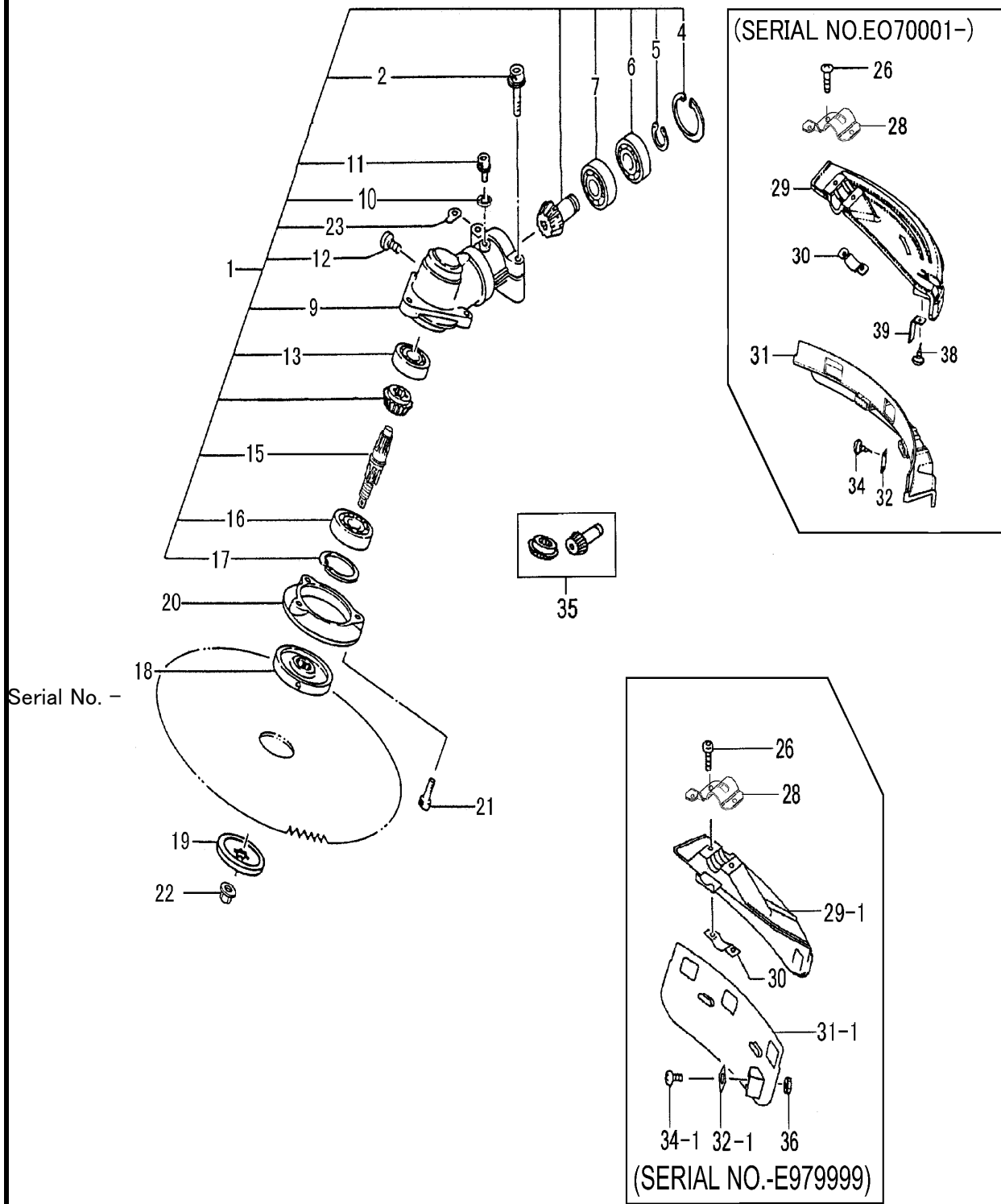
B38-09 THROTTLE LEVER



Serial No. -

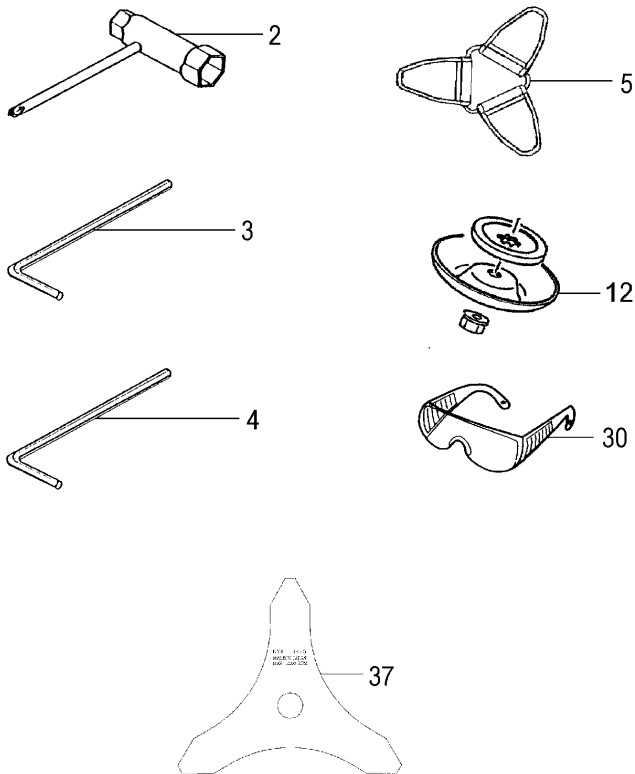
REF. NUMBER	SERVICE CODE No.	DESCRIPTION	Q'TY	REMARKS /SERIAL NO.
B38-09 THROTTLE LEVER				
084	668-7547	PROTECTION TUBE, 930L	1	
095	669-3762	THROTTLE LEVER ASS'Y 22	1	
098	668-4721	SAFETY LEVER	1	
100	668-4722	RETURN SPRING	1	
101	668-4723	THROTTLE LEVER	1	
106	668-4725	SCREW M4X20 (BLACK)	2	
107	668-4726	SCREW 5X30 (BLACK)	1	
108	668-4727	CONTAL NUT 5	1	
110	668-7458	STOP SWITCH COMP.	1	
120	669-4021	THROTTLE WIRE, 4T	1	
125	669-3975	THROTTLE WIRE COMP.	1	

B38-10 GEAR CASE/GUARD



REF. NUMBER	SERVICE CODE No.	DESCRIPTION	Q'TY	REMARKS /SERIAL NO.
B38-10 GEAR CASE/GUARD				
001	668-8801	GEAR CASE ASS'Y, 30 DIA	1	
002	668-4709	HEX.HOLE BOLT M5X25/S	2	
004	668-4741	STOP RING C-28,INNER	1	
005	668-4664	STOP RING C-12 OUTER	1	
006	669-5532	BALL BEARING #6001Z, 28MM/OD	1	
007	669-5535	BALL BEARING 6001 C3	1	
009	668-8703	GEARCASE, SILVER	1	
010	668-4834	SPRING WASHER 5	1	
011	668-4829	HEX. SOCKET HD. BOLT M5X12	1	
012	669-5437	PLUS HEAD BOLT 8X10	1	
013	669-5524	BALL BEARING #6000, 26MM/OD	1	
015	668-8942	GEAR SHAFT 6X11X14	1	
016	669-5563	BALL BEARING #6203D, 40MM/OD	1	
017	669-5298	STOP RING C-40, INNER	1	
018	668-9022	CUTTER HOLDER	1	
019	668-9052	CUTTER HOLDER CAP,6X11X14	1	
020	668-8982	PROTECTION COVER A COMP.	1	
021	669-5418	SCREW 5X16/WS	3	
022	668-9072	CUTTER FIXING NUT,L/H	1	
023	668-9157	GEAR CASE WASHER	2	
026	668-4714	HEX.HOLE BUTTON SCREW 6X25S	2	
028	669-0312	COVER BRACKET 30	1	
029,1	669-0230	GUARD 30 CE	1	- E979999
029	669-0264	GUARD 30 CE	1	EO70001 -
030	668-4748	SAFETY COVER HOLDER	1	
031,1	669-0372	COVER GUARD	1	- E979999
031	669-0376	BLADE GUARD	1	EO70001 -
032,1	669-3386	KNIFE	1	- E979999
Serial N	668-4750	KNIFE	1	EO70001 -
034,1	669-5334	SCREW 5X12/S	1	- E979999
034	668-4751	TAPPING SCREW 4X14	1	EO70001 -
035	668-8866	GEAR-PINION SET, SPARE	1	
036	668-4965	NUT M5	1	- E979999
038	668-4753	TAPPING SCREW 5X20	1	EO70001 -
039	668-4754	KNIFE	1	EO70001 -

B38-11 TOOLS



Serial No. -

REF. NUMBER	SERVICE CODE No.	DESCRIPTION	Q'TY	REMARKS /SERIAL NO.
B38-11 TOOLS				
002	668-4764	BOX WRENCH (HEX. SOCKET 17/19)	1	
003	669-3529	HEX. WRENCH 5	1	
004	668-4813	HEX. BAR WRENCH 4MM	1	
005	669-2016	CUTTER COVER	1	
012	668-8994	PROTECTION COVER B	1	
030	668-4765	SAFETY GLASSES	1	
037	669-3502	CUTTING BLADE, 3TX255	1	