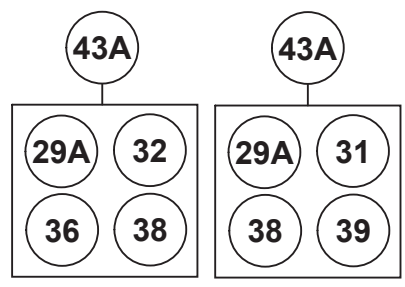
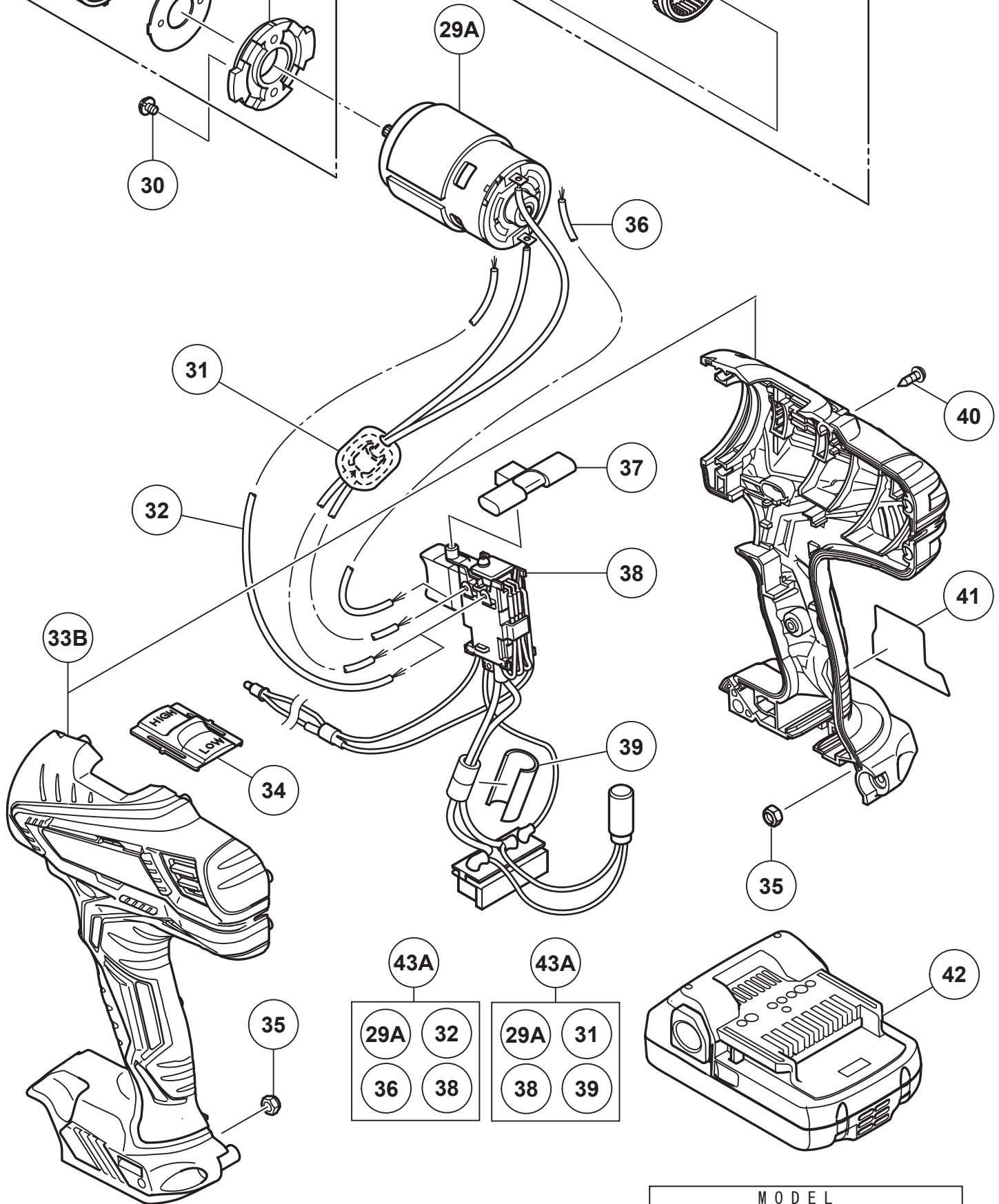
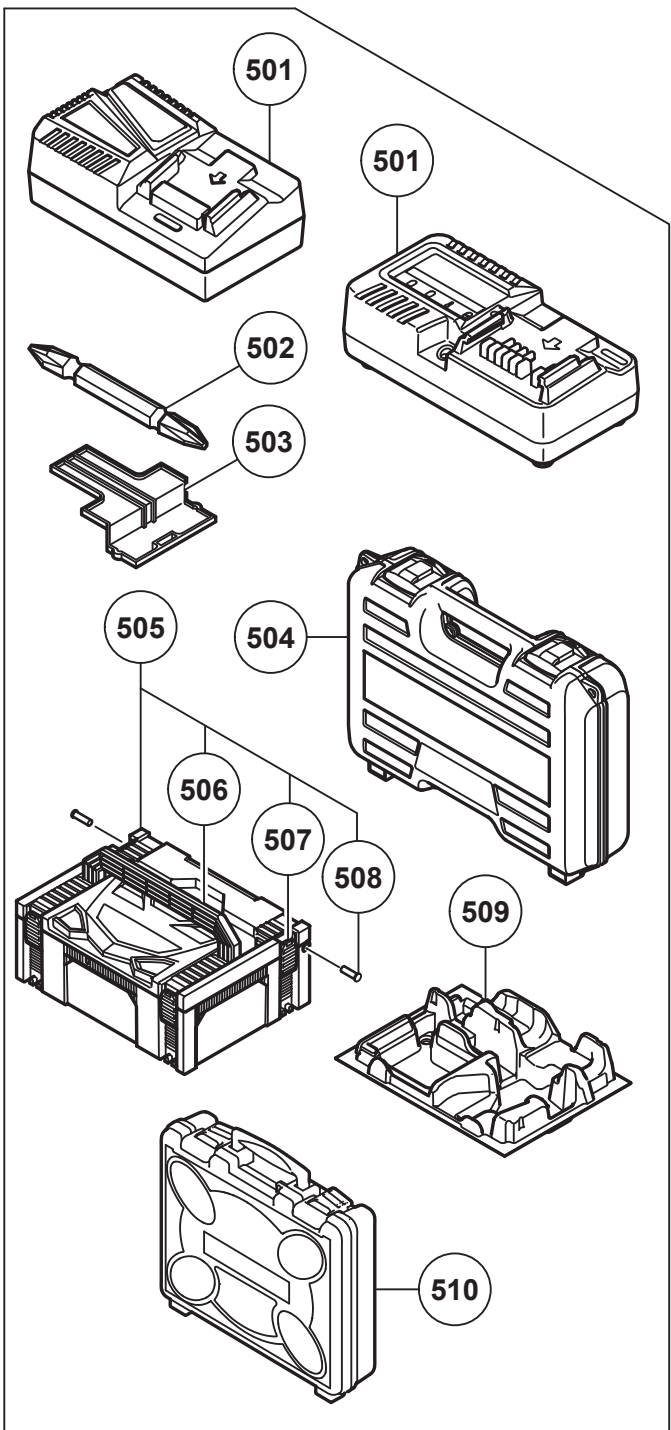
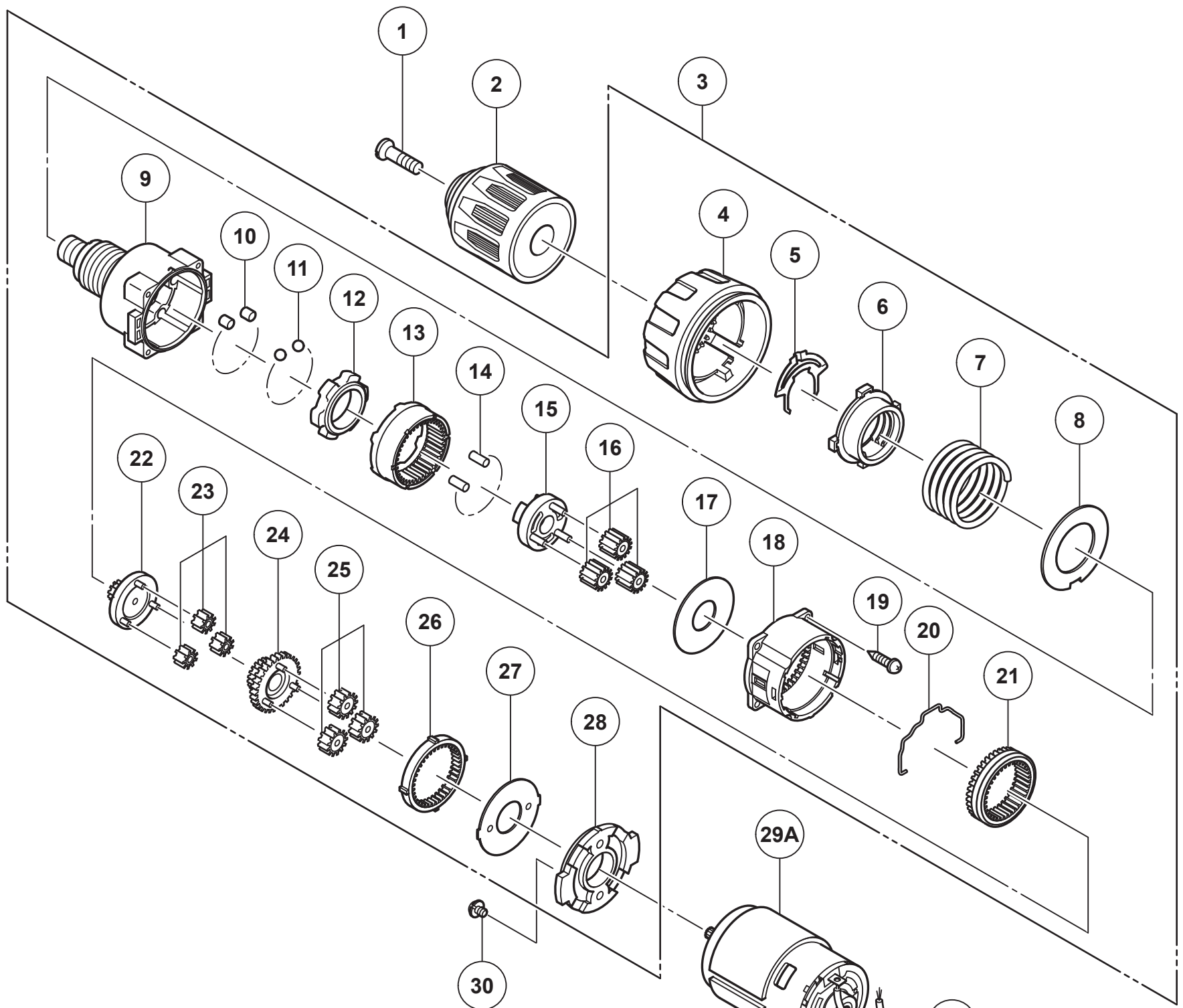


HIKOKI

CORDLESS DRIVER DRILL DS18DJL

Item No.	Code No.	Description	No. Used	Remarks
1	311959	SPECIAL SCREW (LEFT HAND) M6X23	1	
2	336852	DRILL CHUCK 13VLRW-N (W/O CHUCK WRENCH)	1	
3	337120	GEAR BOX ASS'Y	1	INCLUD. 4-28
4	337130	CLUTCH DIAL	1	
5	337129	CLICK SPRING	1	
6	337222	NUT	1	
7	337124	SPRING	1	
8	312714	WASHER (D)	1	
9	337121	FRONT CASE	1	
10	337123	ROLLER SET (6 PCS.)	6	
11	306936	STEEL BALL D5	6	
12	337125	LOCK RING	1	
13	312715	RING GEAR	1	
14	330806	NEEDLE ROLLER (A) SET (6 PCS.)	1	
15	337126	CARRIER	1	
16	312705	PLANET GEAR (C) SET (3 PCS.)	3	
17	312704	WASHER (A)	1	
18	335959	REAR CASE	1	
19	324357	SCREW SET D3X12 (4 PCS.)	4	
20	332017	SHIFT ARM	1	
21	332013	SLIDE RING GEAR	1	
22	337127	PINION (C)	1	
23	315816	PLANET GEAR (B) SET (3 PCS.)	3	
24	337128	PINION (B)	1	
25	337122	PLANET GEAR (A) SET (3 PCS.)	3	
26	332023	FIRST RING GEAR	1	
27	312716	WASHER (B)	1	
28	312698	MOTOR SPACER	1	
29A	371191	MOTOR DC 18V	1	
30	317333	MACHINE SCREW (W/SP. WASHER) M4X6	2	
*31	337136	INTERNAL WIRE FERRITE SET	1	FOR EUROPE, AUT, RUS, NOR, SWE, DEN, FIN, ISR, SAF, TUR
33B	336851	HOUSING (A).(B) SET	1	
34	336855	SHIFT KNOB	1	
35	327002	LOCK NUT M4 (BLACK)	2	
37	336856	PUSHING BUTTON	1	
*38	336632	SWITCH TERMINAL SET	2	
*39	337137	SUPPORT (D)	2	FOR EUROPE, AUT, RUS, NOR, SWE, DEN, FIN, ISR, SAF, TUR
40	313687	TAPPING SCREW (W/FLANGE) D3X16 (BLACK)	9	
41		NAME PLATE	1	
*42	335788	BATTERY BSL 1825 (EUROPE, AUS, NZL)	2	INCLUD. 503
*42	333352	BATTERY BSL 1815 (EUROPE)	2	INCLUD. 503
*43A	371193	WIRING ASS'Y	1	INCLUD. 29A, 31, 38, 39
		STANDARD ACCESSORIES		
*501		CHARGER (MODEL UC 18YKSL)	1	
502	983006	+ DRIVER BIT NO.2 65L	1	
503	329897	BATTERY COVER	2	
504	336642	CASE	1	
505	336471	CASE ASS'Y (STACKABLE 2)	1	INCLUD. 506-508
506	336473	HANDLE	1	
507	336472	LATCH	4	
508	336474	HINGE	2	

* ALTERNATIVE PARTS



MODEL
DS18DJL