

S01

A25EB/EB(N)

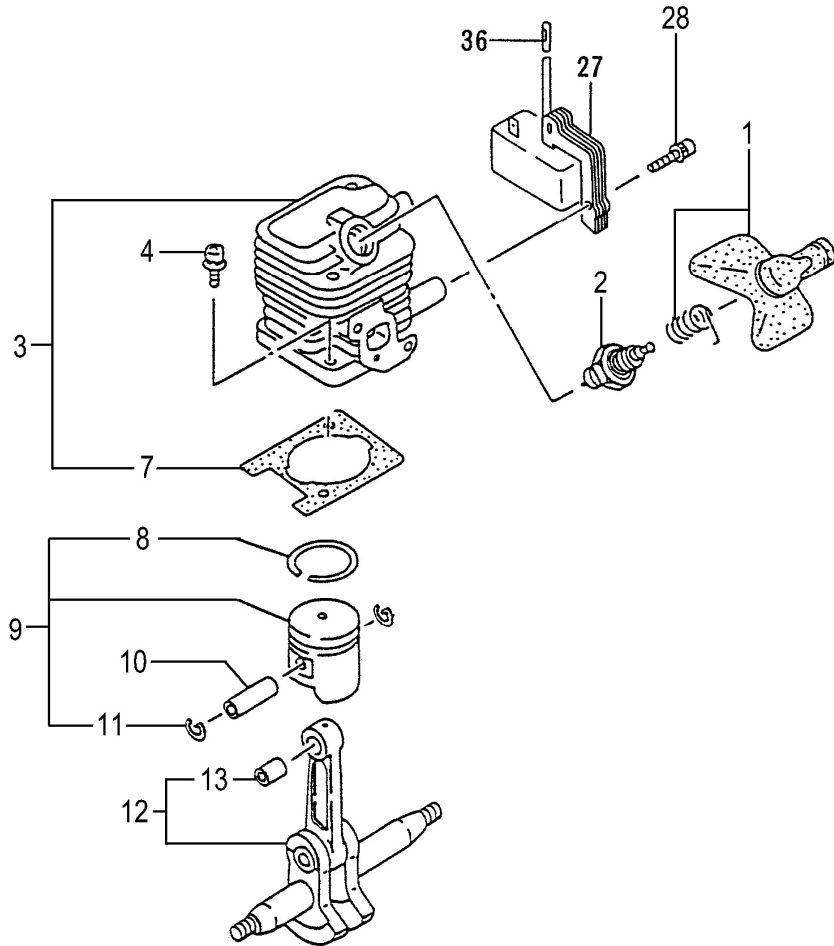
Serial No.

MPREF	MPHIN	MPNAM	MPQ1	MPG	MPQTY3	MI	MPSRL2
		+++++++ MODEL:A25EB ++++++					
		S01-01 CYLINDER/PISTON/CRANK					
001	157-06500-91	SPARK PLUG CAP ASS'Y			1		
002	018-12710-20	SPARK PLUG BPMR7A			1		
003	001-0650A-90	CYLINDER SET			1		
004	994-61050-184	HEX. HOLE BOLT 5X18/S			2		
007	017-06500-20	CYLINDER GASKET			1		
008	041-00601-21	PISTON RING			1		
009	030-0650A-90	PISTON SET			1		
010	037-06500-20	PISTON PIN			1		
011	039-01620-20	PISTON PIN CIRCLIP			2		
012	046-0650A-80	CRANK SHAFT COMP.			1		
013	999-62081-225	NEEDLE BRG F-810 1.4X8.5			1		
027	167-21532-80	IGNITION COIL COMP.			1		
028	994-16040-186	HIGH TENSION SCREW 4X18WS			2		
036	250-06500-20	INSULATOR TUBE, 50L			1		
		S01-02 CRANK CASE					
021	072-0650A-90	CRANK CASE ASS'Y			1		
022	090-06500-20	CRANKCASE GASKET			1		
023	999-66122-200	OIL SEAL TB 12227			2		
024	999-61600-115	BALL BEARING 6001 C3			2		
025	330-00200-21	GEAR SHAFT SHIM 0.10			V		
025	330-00200-22	GEAR SHAFT SHIM 0.15			V		
025	330-00200-23	GEAR SHAFT SHIM 0.20			V		
025	330-00200-24	GEAR SHAFT SHIM 0.30			V		
026	599-00601-20	ANTI-VIBE RUBBER			1		
030	994-61050-304	HEX. HOLE BOLT 5X30S			3		
031	155-21523-80	MAGNETO ROTOR COMP.			1		
032	992-01080-011	WASHER 8			1		
033	992-10080-012	S. WASHER 8			1		
034	991-01080-011	HEX. NUT 8			1		
		S01-03 ENGINE-1					
025	403-06500-20	INTAKE PIPE GASKET			1		
026	404-06500-90	CARB. INSULATOR SET, SPARE			1		
027	994-16050-252	SCREW 5X25WS			2		
030	402-06500-20	CARBURETOR GASKET			1		
033	999-67015-000	O-RING P-15			1		
035	423-06500-81	CLEANER BODY COMP.			1		
036	470-06500-20	COLLAR 7.5			2		
037	528-06500-20	CHOKE VALVE			1		
038	992-04080-031	WAVE WASHER 8			1		
039	476-01700-20	BLOW OVER CHECK BOARD			1		
040	992-10050-012	S. WASHER 5			2		
041	990-11050-602	SCREW 5X60			2		
043	446-06500-21	CLEANER SPONGE			1		
044	452-06500-91	CLEANER COVER ASS'Y			1		
045	380-0637C-20	SPECIAL SCREW			1		
046	455-0650A-90	CARBURETOR SET WYL81			1		
050	223-06500-90	FUEL PIPE ASS'Y L=130			1		
051	680-00731-20	CLIP, 6.3 DIA.			1		
052	675-04042-80	PUMP FILTER BODY COMP.			1		
053	591-0650A-21	FUEL TANK, VERMILION			1		
055	659-00801-20	COLLAR 5.8			2		
058	994-63050-185	HEX. HOLE BOLT 5X18PS			2		

063	595-00093-90	TANK CAP D ASS'Y ORANGE	1
086	626-32550-20	TANK CAP CHAIN	1
		S01-04 ENGINE-2	
003	738-0650A-20	MUFFLER PROTECTOR	1
004	737-06500-20	MUFFLER GASKET	1
005	133-06500-20	HEAT SHIELD	1
006	704-0650B-90	MUFFLER SET	1
007	992-01050-011	WASHER 5	2
008	990-51050-503	HEX. HOLE BOLT 5X50	2
021	751-04200-20	MUFFLER SPECIAL GASKET	1
022	721-0650C-90	TALE PIPE SET	1
024	994-14040-081	SCREW 4X8/S	2
061	990-72045-164	TAPPING SCREW 4.5X16	1
062	994-25040-128	BOLT 4X12PS	2
		S01-05 RECOIL STARTER	
011	112-0650A-80	FANCASE COMP., VERMILION	1
012	780-06097-20	RECOIL SPRING	1
013	774-06097-20	STARTER ROPE REEL	1
015	839-02010-20	SET SCREW	1
016	798-06500-90	STARTER PULLEY ASS'Y	1
017	203-0604A-20	GROMMET	1
018	783-06097-20	STARTER ROPE	1
019	785-06410-20	STARTER HANDLE	1
020	994-15040-162	SCREW 4X16/PS	3
065	790-06097-20	STARTER PAWL SPRING	1
066	788-06500-20	STARTER PAWL	1
		S01-06 CARBURETOR	
001	548-25140-20	THROTTLE SET SCREW	2
005	539-25120-20	SWIVEL	1
007	489-25100-20	STOP RING	1
010	550-25100-20	O-RING	1
011	599-2000W-40	MAIN JET #40	1
013	577-25100-20	PUMP GASKET	1
014	576-25100-20	PUMP DIAPHRAGM	1
017	578-25007-20	INLET SCREEN	1
018	575-25152-80	PUMP BODY COMP.	1
019	475-25038-20	DIAPHRAGM GASKET	1
020	474-25001-80	METERING DIAPHRAGM COMP.	# 1
021	476-25004-20	DIAPHRAGM COVER	1
022	548-25101-20	SET SCREW	4
		S01-07 PUMP-1	
002	300-31249-20	END PLATE A	1
008	999-67140-010	O-RING G140	1
012	090-31249-20	HANDLE A	1
015	990-21050-250	BOLT 5X25	4
016	370-31249-20	WASHER A	4
021	991-83080-001	FLANGE NUT 8	2
029	333-0650A-20	COUPLING FLANGE	1
031	994-14060-161	SCREW 6X16/S	4
035	885-0650A-80	THROTTLE WIRE COMP. 4T	1
037	870-02201-91	THROTTLE LEVER, 16 DIA.	1
		S01-08 PUMP-2	
001	330-31249-20	CASING A	1
003	310-31249-20	VOLUTE CHAMBER A	1
004	031-31249-20	IMPELLER A	1

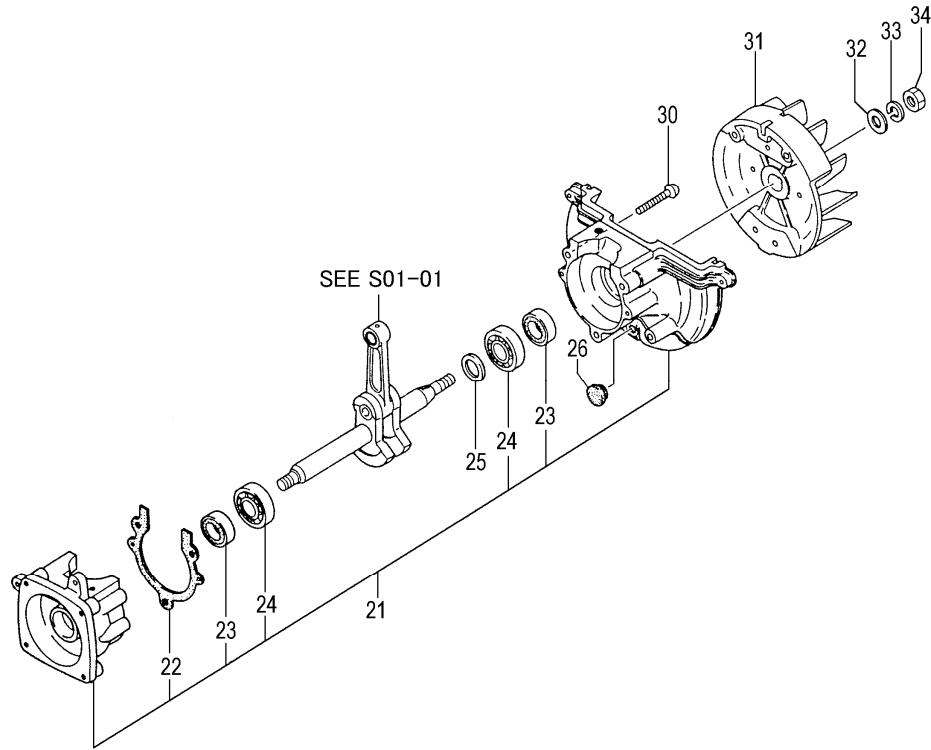
005	320-31249-20	SUCTION PLATE A	1
006	160-31249-90	MECHANICAL SEAL ASS'Y A	1
007	311-31249-20	VOLUTE CHAMBER GASKET A	1
009	350-31249-80	SUCTION PALTE PACKING	1
010	360-31249-20	PRIMER PLUG	2
011	999-67024-000	O-RING, P-24	2
017	994-51080-350	FLANGE BOLT 8X35	4
018	994-51060-160	FLANGE BOLT 6X16	3
022	050-31249-90	COUPLING ASS'Y	2
024	054-31249-20	COUPLING PACKING	2
027	034-31249-20	IMPELLER SHAFT SHIM A 0.3 S01-09 BED/OPTINAL PARTS	V
013	080-31249-20	BED A	1
014	312-31249-20	CUSHION RUBBER A	4
019	993-11051-402	TAPPING SCREW 5X14	4
025	132-31249-20	WIRE BAND A 25	3
026	100-31249-80	FILTER COMP. A	1
027	180-31251-20	SUCTION HOSE A 3M	1
030	829-20000-80	COMBI BOX SPANNER 13X19 , PLUS S01-10 LABELS	1
001	906-51750-20	NAME PLATE A25EB(N)	1
002	906-51751-20	NAME PLATE A25EB	1
006	920-32172-20	CAUTION MARK	1
		===== END OF DATA =====	

S01-01 A25EB/25EB(N) CYLINDER/PISTON/CRANK SHAFT



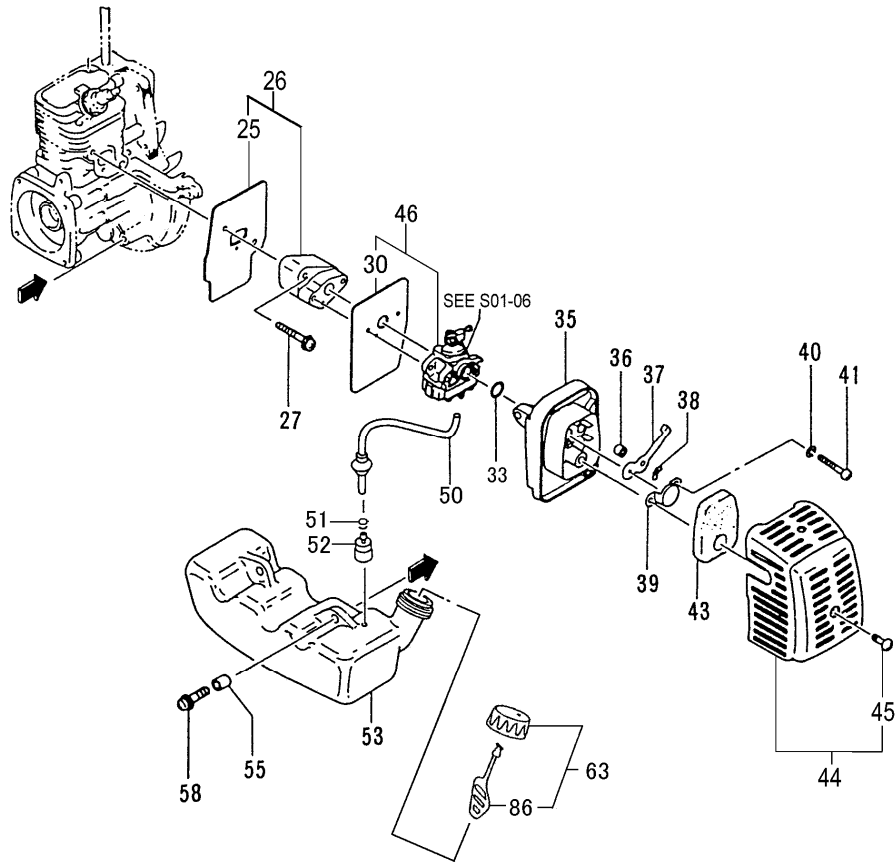
REF. NUMBER	PARTS NUMBER	DESCRIPTION	Q'TY	SERIAL NUMBER
001	157-06500-91	SPARK PLUG CAP ASS'Y	1	
002	018-12710-20	SPARK PLUG BPMR7A	1	
003	001-0650A-90	CYLINDER SET	1	
004	994-61050-184	HEX. HOLE BOLT 5X18/S	2	
007	017-06500-20	CYLINDER GASKET	1	
008	041-00601-21	PISTON RING	1	
009	030-0650A-90	PISTON SET	1	
010	037-06500-20	PISTON PIN	1	
011	039-01620-20	PISTON PIN CIRCLIP	2	
012	046-0650A-80	CRANK SHAFT COMP.	1	
013	999-62081-225	NEEDLE BRG F-810 1.4X8.5	1	
027	167-21532-80	IGNITION COIL COMP.	1	
028	994-16040-186	HIGH TENSION SCREW 4X	2	
036	250-06500-20	INSULATOR TUBE, 50L	1	

S01-02 A25EB/25EB(N) CRANK CASE



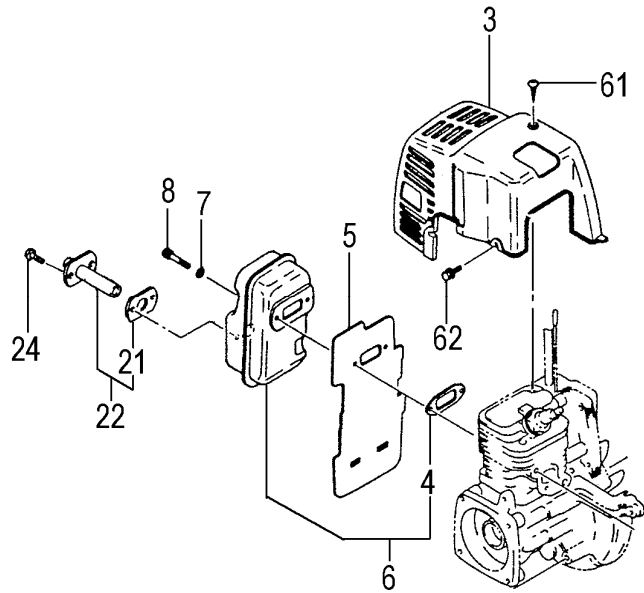
REF. NUMBER	PARTS NUMBER	DESCRIPTION	Q'TY	SERIAL NUMBER
021	072-0650A-90	CRANK CASE ASS'Y	1	
022	090-06500-20	CRANKCASE GASKET	1	
023	999-66122-200	OIL SEAL TB 12227	2	
024	999-61600-115	BALL BEARING 6001 C3	2	
025	330-00200-21	GEAR SHAFT SHIM 0.10	V	
025	330-00200-22	GEAR SHAFT SHIM 0.15	V	
025	330-00200-23	GEAR SHAFT SHIM 0.20	V	
025	330-00200-24	GEAR SHAFT SHIM 0.30	V	
026	599-00601-20	ANTI-VIBE RUBBER	1	
030	994-61050-304	HEX. HOLE BOLT 5X30S	3	
031	155-21523-80	MAGNETO ROTOR COMP.	1	
032	992-01080-011	WASHER 8	1	
033	992-10080-012	S.WASHER 8	1	
034	991-01080-011	HEX. NUT 8	1	

S01-03 A25EB/25EB(N) ENGINE-1



REF. NUMBER	PARTS NUMBER	DESCRIPTION	Q'TY	SERIAL NUMBER
025	403-06500-20	INTAKE PIPE GASKET	1	
026	404-06500-90	CARB. INSULATOR SET,SP	1	
027	994-16050-252	SCREW 5X25WS	2	
030	402-06500-20	CARBURETOR GASKET	1	
033	999-67015-000	O-RING P-15	1	
035	423-06500-81	CLEANER BODY COMP.	1	
036	470-06500-20	COLLAR 7.5	2	
037	528-06500-20	CHOKE VALVE	1	
038	992-04080-031	WAVE WASHER 8	1	
039	476-01700-20	BLOW OVER CHECK BOAR	1	
040	992-10050-012	S.WASHER 5	2	
041	990-11050-602	SCREW 5X60	2	
043	446-06500-21	CLEANER SPONGE	1	
044	452-06500-91	CLEANER COVER ASS'Y	1	
045	380-0637C-20	SPECIAL SCREW	1	
046	455-0650A-90	CARBURETOR SET WYL81	1	
050	223-06500-90	FUEL PIPE ASS'Y L=130	1	
051	680-00731-20	CLIP, 6.3 DIA.	1	
052	675-04042-80	PUMP FILTER BODY COMP	1	
053	591-0650A-21	FUEL TANK, VERMILION	1	
055	659-00801-20	COLLAR 5.8	2	
058	994-63050-185	HEX. HOLE BOLT 5X18PS	2	
063	595-00093-90	TANK CAP D ASS'Y ORANG	1	
086	626-32550-20	TANK CAP CHAIN	1	

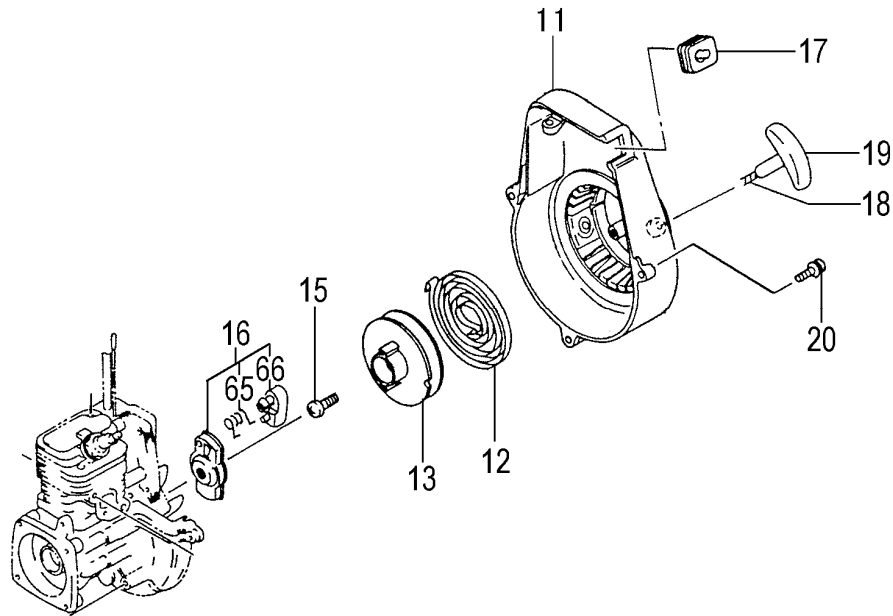
S01-04 A25EB/25EB(N) ENGINE-2



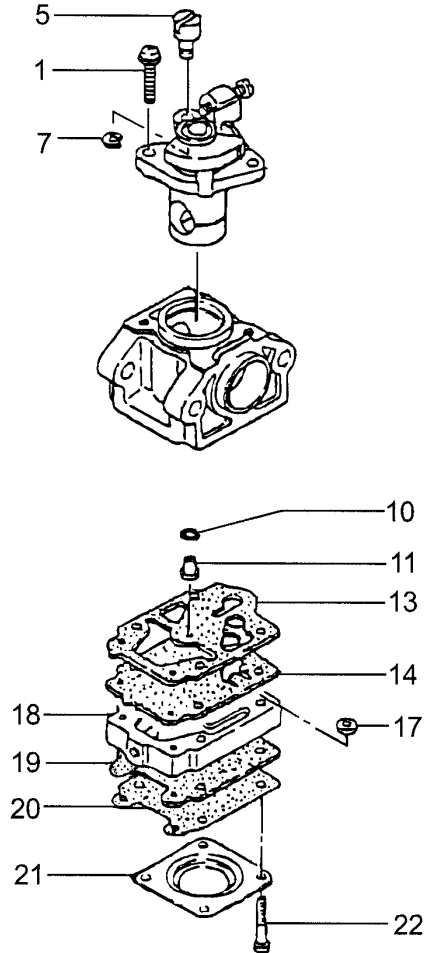
REF. NUMBER	PARTS NUMBER	DESCRIPTION	Q'TY	SERIAL NUMBER
003	738-0650A-20	MUFFLER PROTECTOR	1	
004	737-06500-20	MUFFLER GASKET	1	
005	133-06500-20	HEAT SHIELD	1	
006	704-0650B-90	MUFFLER SET	1	
007	992-01050-011	WASHER 5	2	
008	990-51050-503	HEX. HOLE BOLT 5X50	2	
021	751-04200-20	MUFFLER SPECIAL GASKE	1	
022	721-0650C-90	TALE PIPE SET	1	
024	994-14040-081	SCREW 4X8/S	2	
061	990-72045-164	TAPPING SCREW 4.5X16	1	
062	994-25040-128	BOLT 4X12PS	2	

S01-05 A25EB/25EB(N) RECOIL STARTER

REF. NUMBER	PARTS NUMBER	DESCRIPTION	Q'TY	SERIAL NUMBER
011	112-0650A-80	FANCASE COMP., VERMILI	1	
012	780-06097-20	RECOIL SPRING	1	
013	774-06097-20	STARTER ROPE REEL	1	
015	839-02010-20	SET SCREW	1	
016	798-06500-90	STARTER PULLEY ASS'Y	1	
017	203-0604A-20	GROMMET	1	
018	783-06097-20	STARTER ROPE	1	
019	785-06410-20	STARTER HANDLE	1	
020	994-15040-162	SCREW 4X16/PS	3	
065	790-06097-20	STARTER PAWL SPRING	1	
066	788-06500-20	STARTER PAWL	1	

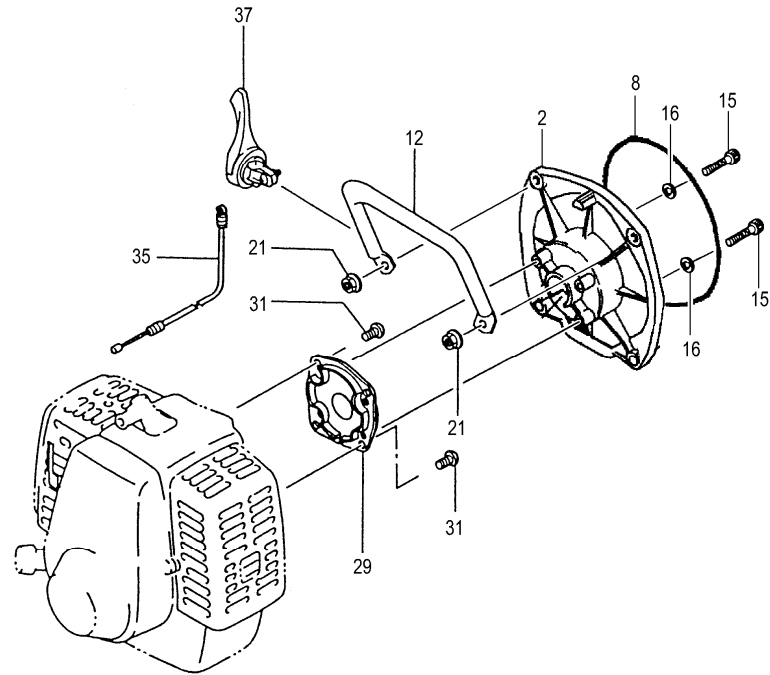


S01-06 A25EB/25EB(N) CARBURETOR



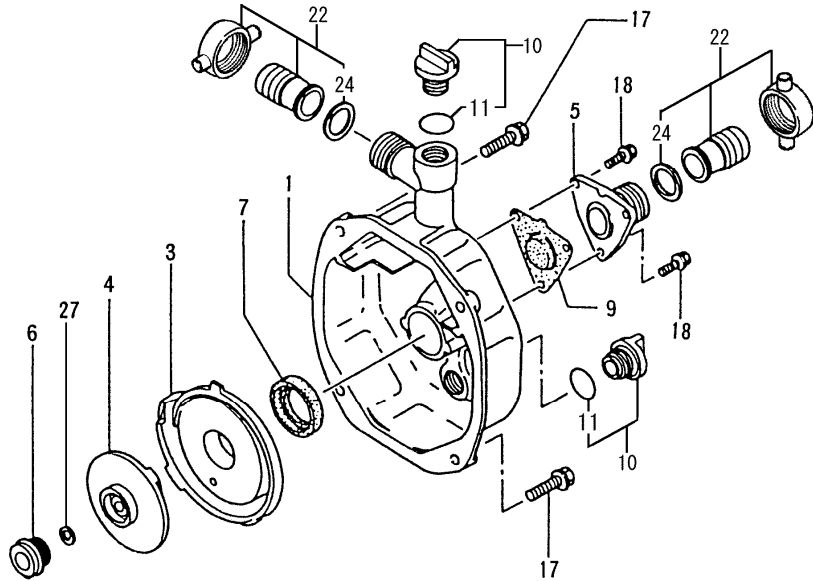
REF. NUMBER	PARTS NUMBER	DESCRIPTION	Q'TY	SERIAL NUMBER
001	548-25140-20	THROTTLE SET SCREW	2	
005	539-25120-20	SWIVEL	1	
007	489-25100-20	STOP RING	1	
010	550-25100-20	O-RING	1	
011	599-2000W-40	MAIN JET #40	1	
013	577-25100-20	PUMP GASKET	1	
014	576-25100-20	PUMP DIAPHRAGM	1	
017	578-25007-20	INLET SCREEN	1	
018	575-25152-80	PUMP BODY COMP.	1	
019	475-25038-20	DIAPHRAGM GASKET	1	
020	474-25001-80	METERING DIAPHRAGM CO	1	
021	476-25004-20	DIAPHRAGM COVER	1	
022	548-25101-20	SET SCREW	4	

S01-07 A25EB/25EB(N) PUMP-1



REF. NUMBER	PARTS NUMBER	DESCRIPTION	Q'TY	SERIAL NUMBER
002	300-31249-20	END PLATE A	1	
008	999-67140-010	O-RING G140	1	
012	090-31249-20	HANDLE A	1	
015	990-21050-250	BOLT 5X25	4	
016	370-31249-20	WASHER A	4	
021	991-83080-001	FLANGE NUT 8	2	
029	333-0650A-20	COUPLING FLANGE	1	
031	994-14060-161	SCREW 6X16/S	4	
035	885-0650A-80	THROTTLE WIRE COMP. 4	1	
037	870-02201-91	THROTTLE LEVER, 16 DIA.	1	

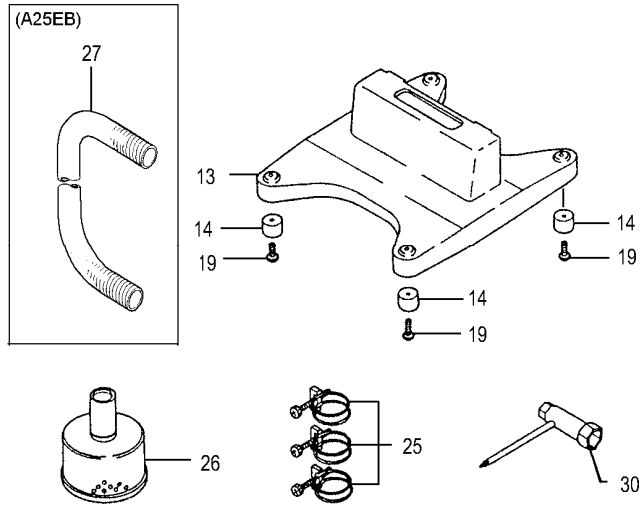
S01-08 A25EB/25EB(N) PUMP-2



REF. NUMBER	PARTS NUMBER	DESCRIPTION	Q'TY	SERIAL NUMBER
001	330-31249-20	CASING A	1	
003	310-31249-20	VOLUTE CHAMBER A	1	
004	031-31249-20	IMPELLER A	1	
005	320-31249-20	SUCTION PLATE A	1	
006	160-31249-90	MECHANICAL SEAL ASS'Y	1	
007	311-31249-20	VOLUTE CHAMBER GASKE	1	
009	350-31249-80	SUCTION PALTE PACKING	1	
010	360-31249-20	PRIMER PLUG	2	
011	999-67024-000	O-RING, P-24	2	
017	994-51080-350	FLANGE BOLT 8X35	4	
018	994-51060-160	FLANGE BOLT 6X16	3	
022	050-31249-90	COUPLING ASS'Y	2	
024	054-31249-20	COUPLING PACKING	2	
027	034-31249-20	IMPELLER SHAFT SHIM A C	V	

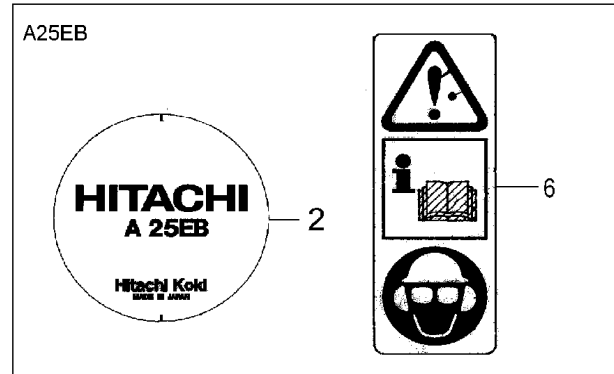
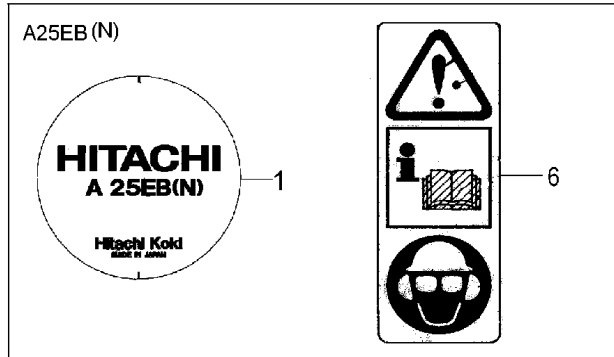


S01-09 A25EB/25EB(N) BED/OPTIONAL PARTS



REF. NUMBER	PARTS NUMBER	DESCRIPTION	Q'TY	SERIAL NUMBER
013	080-31249-20	BED A	1	
014	312-31249-20	CUSHION RUBBER A	4	
019	993-11051-402	TAPPING SCREW 5X14	4	
025	132-31249-20	WIRE BAND A 25	3	
026	100-31249-80	FILTER COMP. A	1	
027	180-31251-20	SUCTION HOSE A 3M	1	
030	829-20000-80	COMBI BOX SPANNER 13X	1	

S01-10 A25EB/25EB(N) LABELS



REF. NUMBER	PARTS NUMBER	DESCRIPTION	Q'TY	SERIAL NUMBER
001	906-51750-20	NAME PLATE A25EB(N)	1	
002	906-51751-20	NAME PLATE A25EB	1	
006	920-32172-20	CAUTION MARK	1	