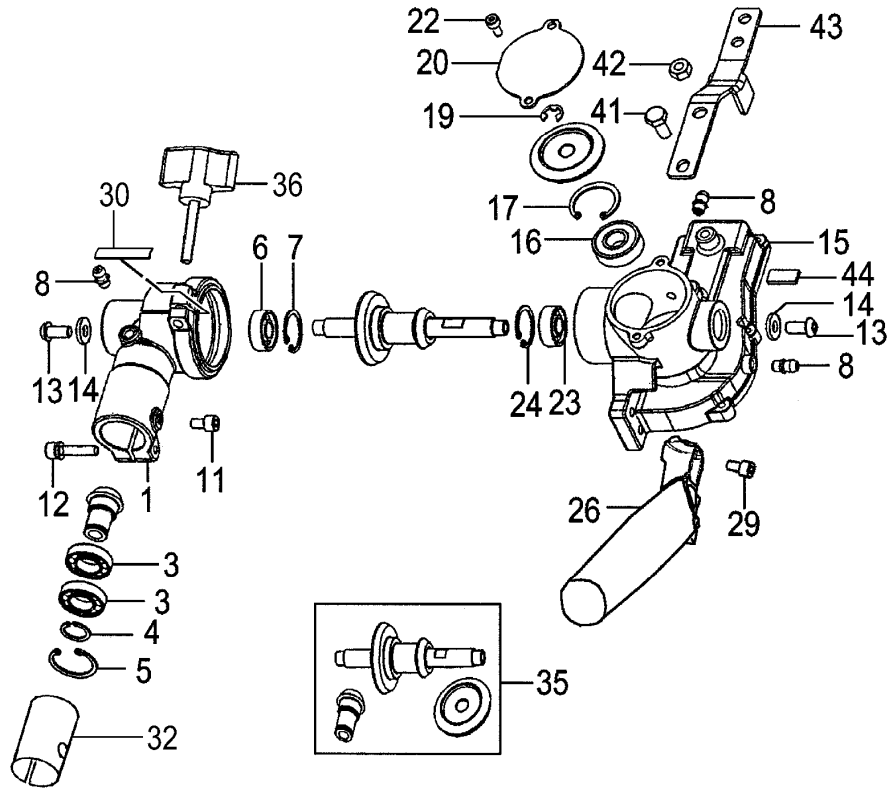


**H14-01**

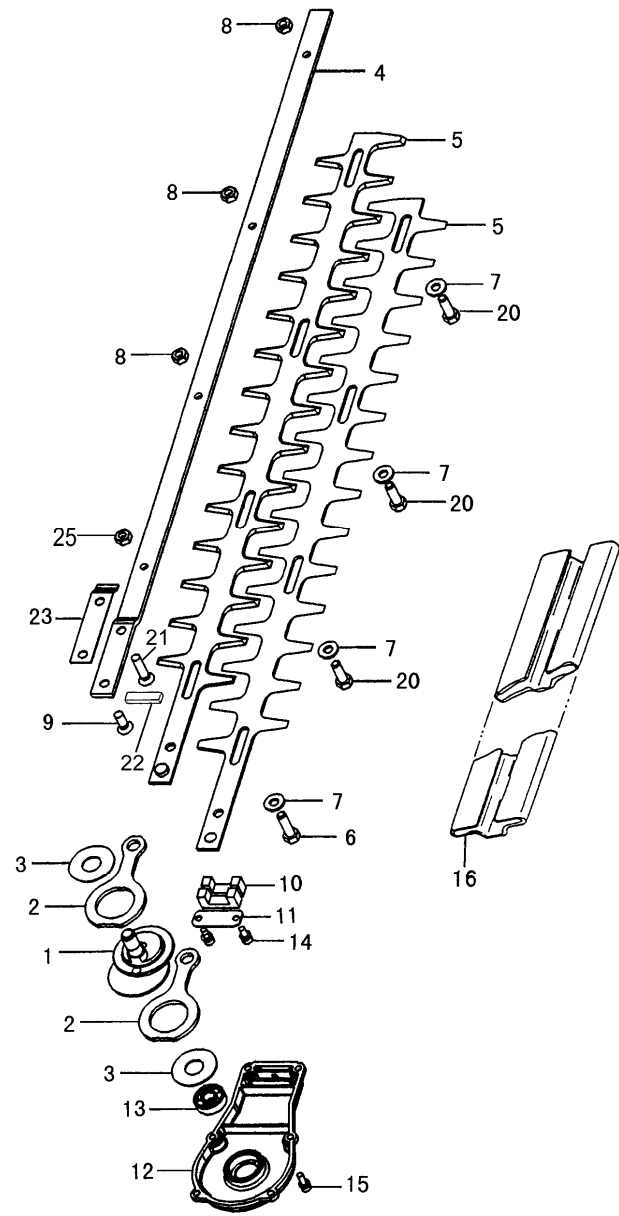
**CG-HTB GEAR CASE**



REF. NUMBER	PARTS NUMBER	DESCRIPTION	Q'TY	SERIAL NUMBER
001	300-32230-21	GEAR CASE A	1	
003	999-61690-101	BALL BEARING 6901ZZ, 24M	2	
004	993-52012-002	STOP RING S-12, OUTER	1	
005	993-51024-002	STOP RING C-24, INNER	1	
006	999-61608-013	BALL BEARING 608 ZZ C3	1	
007	993-51022-002	STOP RING C-22, INNER	1	
008	300-32250-80	GREASE NIPPLE COMP.	3	
011	990-51050-103	HEX. HOLE BOLT 5X10	1	
012	994-61050-254	HEX. HOLE BOLT 5X25/S	1	
013	990-53060-125	HEX. HOLE BOLT 6X12	2	
014	871-32600-20	SPECIAL WASHER B	2	
015	301-32286-21	GEAR CASE B	1	
016	999-61600-014	BALL BEARING #6000 2RS C	1	
017	993-51026-002	STOP RING C-26, INNER	1	
019	993-55060-000	STOP RING E-6	1	
020	327-32280-20	GEAR CASE COVER A	1	
022	990-51040-085	HEX HOLE BOLT 4X8	2	
023	999-61608-013	BALL BEARING 608 ZZ C3	1	
024	993-51022-002	STOP RING C-22, INNER	1	
026	210-32286-20	HANDLE	1	
029	990-53060-153	HEX HOLE BUTTON SCREW	2	
030	088-32287-20	GREASE SEALED	1	
032	348-33130-20	COLLAR B	1	
035	302-32286-00	GEAR SET PN	1	
036	512-32286-80	HANDLE KNOB A COMP.	1	
041	990-23060-141	PLUS BOLT 6X14	1	
042	991-87060-001	NUT 6 UPS-P	1	
043	462-32286-20	SUPPORT PLATE	1	
044	086-32286-20	GREASE SEAL B	1	

**H14-02**

**CG-HTB BLADE**



REF. NUMBER	PARTS NUMBER	DESCRIPTION	Q'TY	SERIAL NUMBER
001	100-32282-81	CAM SHAFT COMP.	1	
002	101-33160-22	CAM ROD	2	
003	075-32280-20	CAM-ROD GUIDE PLATE	2	
004	122-32286-21	CUTTER GUIDE 625.5MM	1	
005	120-32287-21	CUTTER A	2	
006	124-32287-20	FIXING BOLT A M6	1	
007	129-33202-20	WASHER 7 BLACK	4	
008	991-82060-001	FLANGE NUT 6	3	
009	990-52060-165	HEX HOLE FLUSH SCREW	1	
010	085-32286-20	GREASE SEAL A	2	
011	105-32280-20	CAM-ROD HOLDING PLATE	1	
012	328-32286-21	GEAR CASE COVER B	1	
013	999-61608-013	BALL BEARING 608 ZZ C3	1	
014	994-61040-104	HEX. HOLE BOLT 4X10S	2	
015	994-61040-124	HEX. HOLE BOLT 4X12S	6	
016	138-33168-20	CUTTER COVER	1	
020	125-32287-20	CUTTER FIXING BOLT B	3	
021	990-52060-255	HEX. HOLE FLUSH BOLT 6X	1	
022	087-32286-20	GREASE SEAL B	1	
023	296-32286-20	SPACER	1	
025	991-87060-001	NUT 6 UPS-P	1	

**H14-03**

**CG-HTB LABELS**

REF. NUMBER	PARTS NUMBER	DESCRIPTION	Q'TY	SERIAL NUMBER
001	919-73901-20	CAUTION MARK A HITACHI	1	

