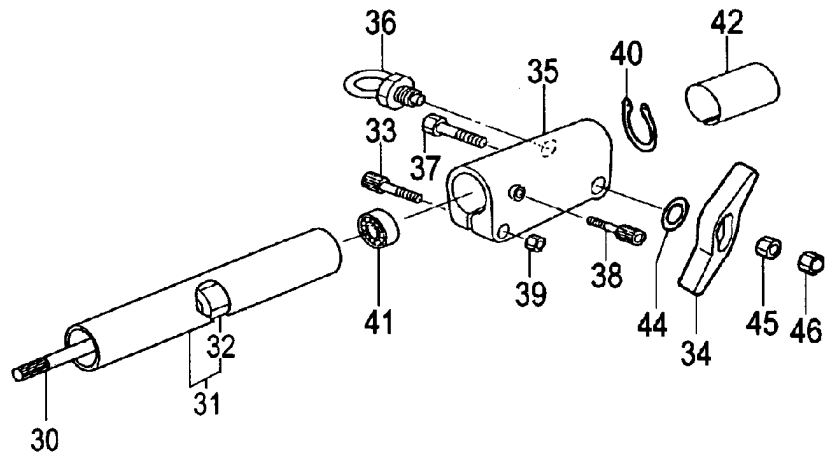
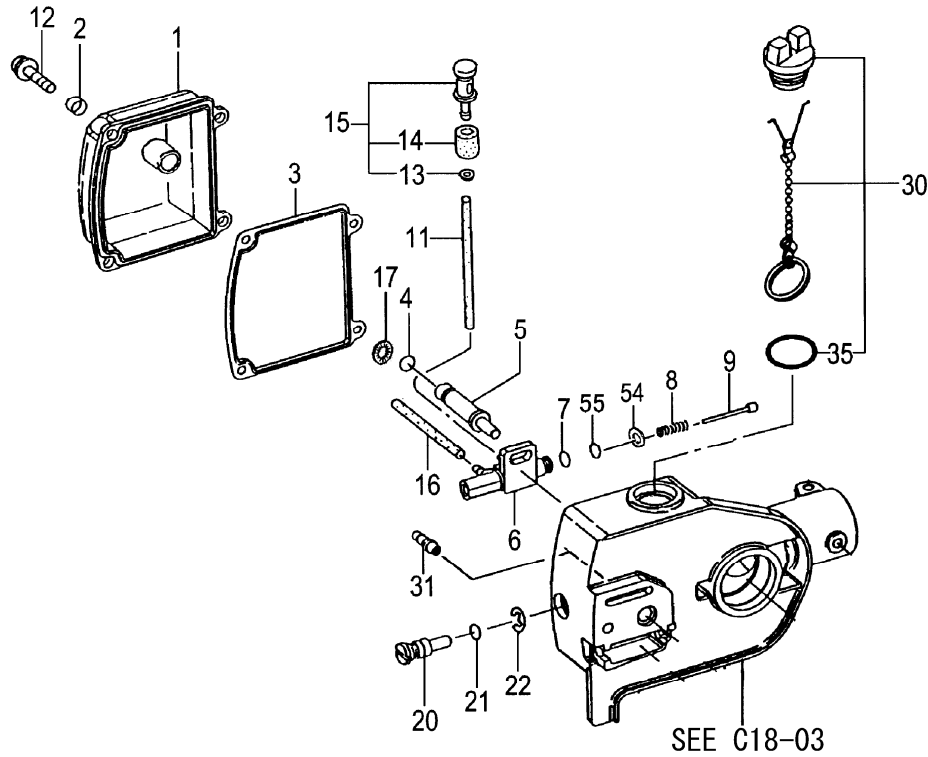


C18-01**CG-PSB OPERATION PIPE**

REF. NUMBER	PARTS NUMBER	DESCRIPTION	Q'TY	SERIAL NUMBER
030	343-32331-80	DRIVE SHAFT COMP.	1	
031	341-32331-81	DRIVE SHAFT PIPE COMP	1	
032	347-37300-90	BUSHING ASS'Y	1	
033	994-61050-254	HEX. HOLE BOLT 5X25/S	1	
034	512-3338P-20	HANDLE KNOB	1	
035	280-32331-22	JOINT CASE	1	
036	352-32331-80	LOCK PIN COMP.	1	
037	990-21060-504	HEX. BOLT 6X50	1	
038	990-51050-103	HEX. HOLE BOLT 5X10	1	
039	991-01050-041	NUT 5	1	
040	993-50010-002	STOP RING C-10, OUTER	1	
041	999-61690-001	BALL BEARING 6900ZZ, 22MM/OD	1	
042	348-33130-20	COLLAR B	1	
044	359-02103-20	CLUTCH WASHER B	1	
045	991-01060-011	NUT 6	1	
046	991-42060-012	CAP NUT 6	1	

C18-02

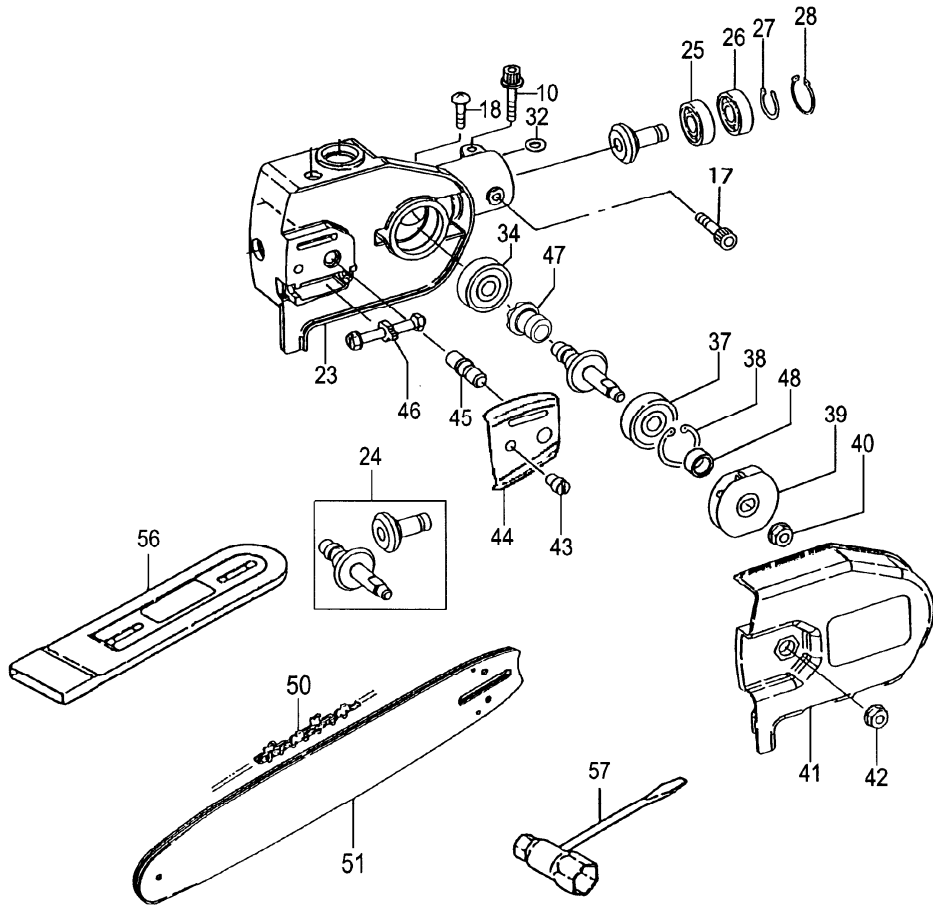
CG-PSB GEAR CASE -1



REF. NUMBER	PARTS NUMBER	DESCRIPTION	Q'TY	SERIAL NUMBER
001	041-32304-20	OIL TANK COVER	1	
002	031-32304-20	COLLAR 3	4	
003	422-32304-21	OIL TANK GASKET	1	
004	999-67005-000	O-RING P-5	1	
005	382-32304-20	STEP BOLT A	1	
006	071-32344-80	OIL PUMP COMP.	1	
007	999-67005-000	O-RING P-5	1	
008	449-32304-20	OIL PUMP SPRING	1	
009	073-32304-81	OIL PUMP PISTON COMP.	1	
011	700-53005-06	FUEL PIPE 3X5X60	1	
012	994-16040-126	SMALL SCREW 4X12WS	4	
013	992-01050-011	WASHER 5	1	
014	487-32345-20	OIL FILTER	1	
015	486-32345-90	FILTER ASS'Y	1	
016	700-53005-07	FUEL PIPE 3X5X75	1	
017	992-30080-000	8 PUSH NUT	1	
020	501-32304-21	OIL PUMP ADJUSTER	1	
021	999-67005-000	O-RING P-5	1	
022	993-55060-001	STOP RING E-6	1	
030	624-32304-92	OIL TANK CAP ASS'Y	1	
031	082-32304-20	BANJO, OIL PUMP	1	
035	999-67015-000	O-RING P-15	1	
054	992-01020-011	WASHER 2	1	
055	999-67001-413	O-RING 1.4	1	

C18-03

CG-PSB GEAR CASE -2



REF. NUMBER	PARTS NUMBER	DESCRIPTION	Q'TY	SERIAL NUMBER
010	994-61050-224	HEX. HOLE BOLT 5X22/S	1	
017	990-51050-103	HEX. HOLE BOLT 5X10	1	
018	994-31060-081	SCREW 6X8	1	
023	019-32304-22	CASE	1	
024	301-32344-00	GEAR PINION SET SPARE	1	
025	999-61609-000	BALL BEARING 609	1	
026	999-61609-002	BALL BEARING 609Z ST	1	
027	993-50009-002	STOP RING C-9, OUTER	1	
028	993-51024-002	STOP RING C-24, INNER	1	
032	786-00601-20	STARTER PAWL WASHER	1	
034	999-61627-000	BALL BEARING 627 C3	1	
037	999-61638-002	BALL BEARING 638Z	1	
038	993-51028-002	STOP RING C-28, INNER	1	
039	319-32304-80	SPROCKET COMP., 3/8	1	
040	991-82060-001	FLANGE NUT 6	1	
041	039-32304-80	SIDE COVER COMP.	1	
042	121-32600-20	CHAIN BAR CLAMP NUT	1	
043	122-32344-21	CHAIN BAR KNOCK PIN	1	
044	461-32344-20	GUIDE PLATE	1	
045	101-32344-21	CHAIN BAR TIGHTENING BOLT	1	
046	116-32304-90	CHAIN TENSIONER ASS'Y	1	
047	452-32344-20	CAM	1	
048	031-32344-20	COLLAR	1	
050	127-32304-20	SAW CHAIN, 10 INCH, 3/8	1	
051	110-72302-20	CHAIN BAR 10 3/8	1	
056	941-32333-20	CHAIN COVER 10	1	
057	883-32600-20	COMBI. BOX SPANNER 13X	1	

C18-04

CG-PSB LABELS

REF. NUMBER	PARTS NUMBER	DESCRIPTION	Q'TY	SERIAL NUMBER
001	929-72300-20	SYMBOL MARK CG-PSB	1	
002	915-73801-20	DECLA HITACHI	1	
009	907-32304-20	CAUTION MARK	1	
010	921-32345-20	OIL MARK	1	
011	922-32345-20	OIL ADJUSTMENT MARK	1	

