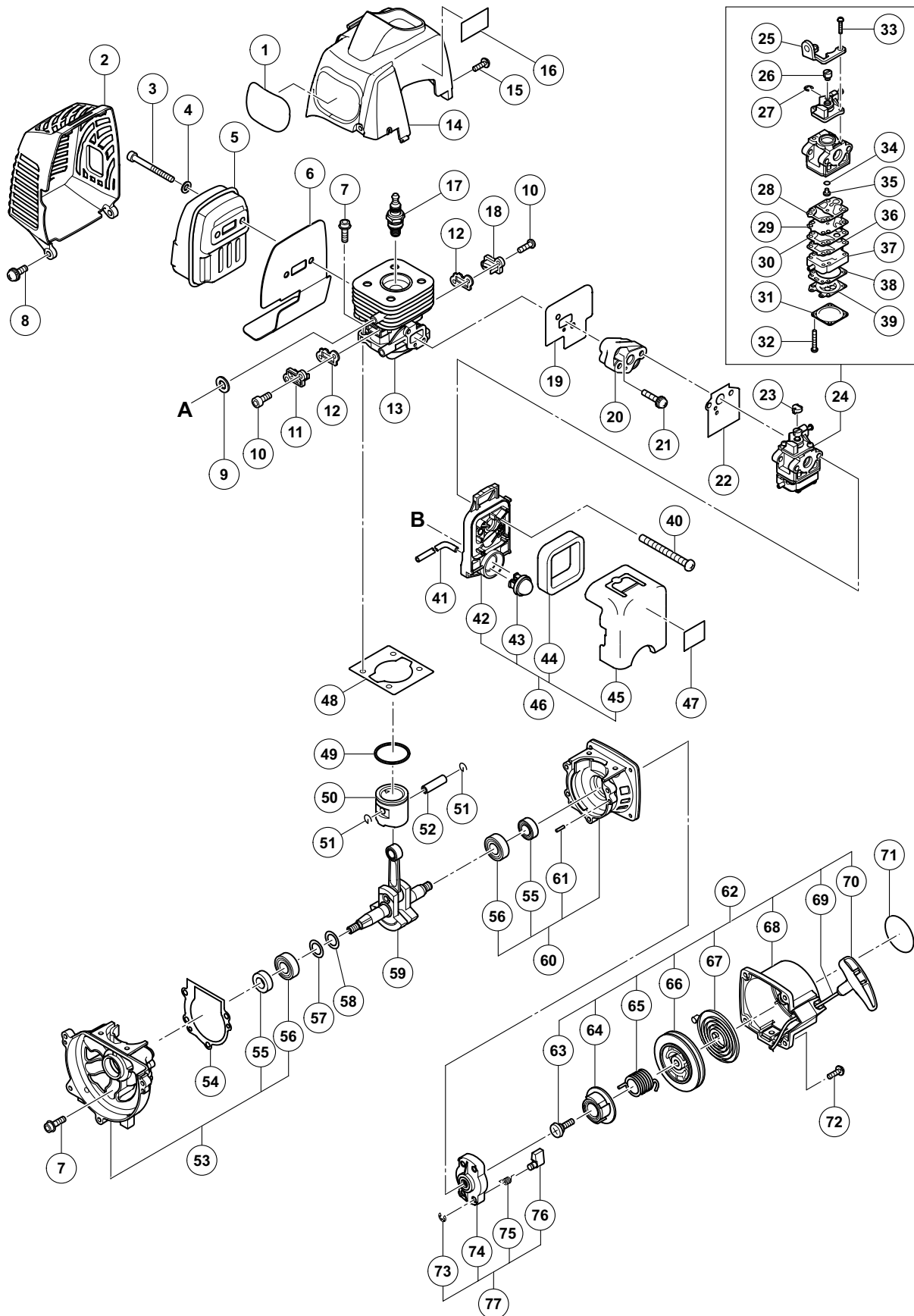


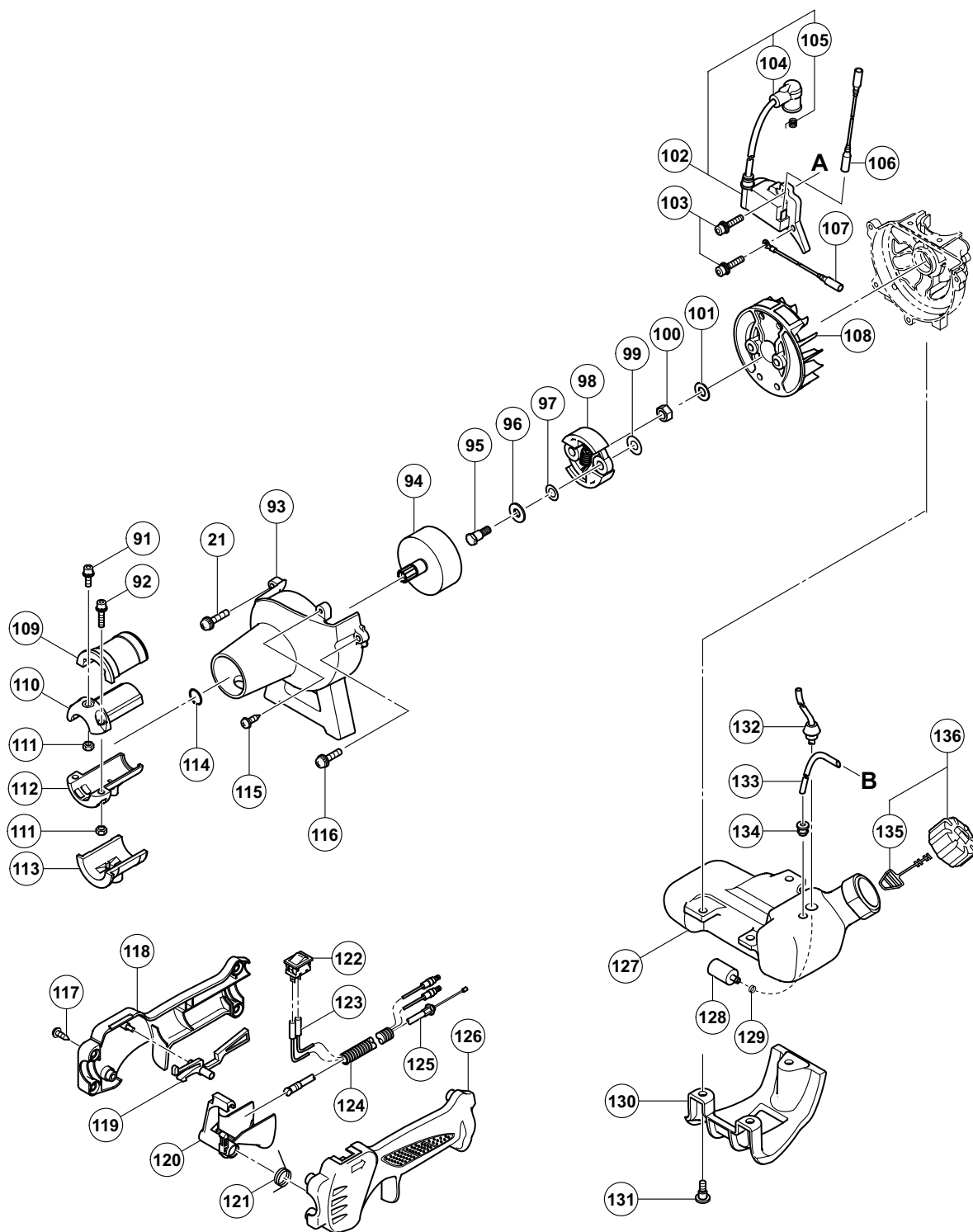
ENGINE TOOL PARTS LIST

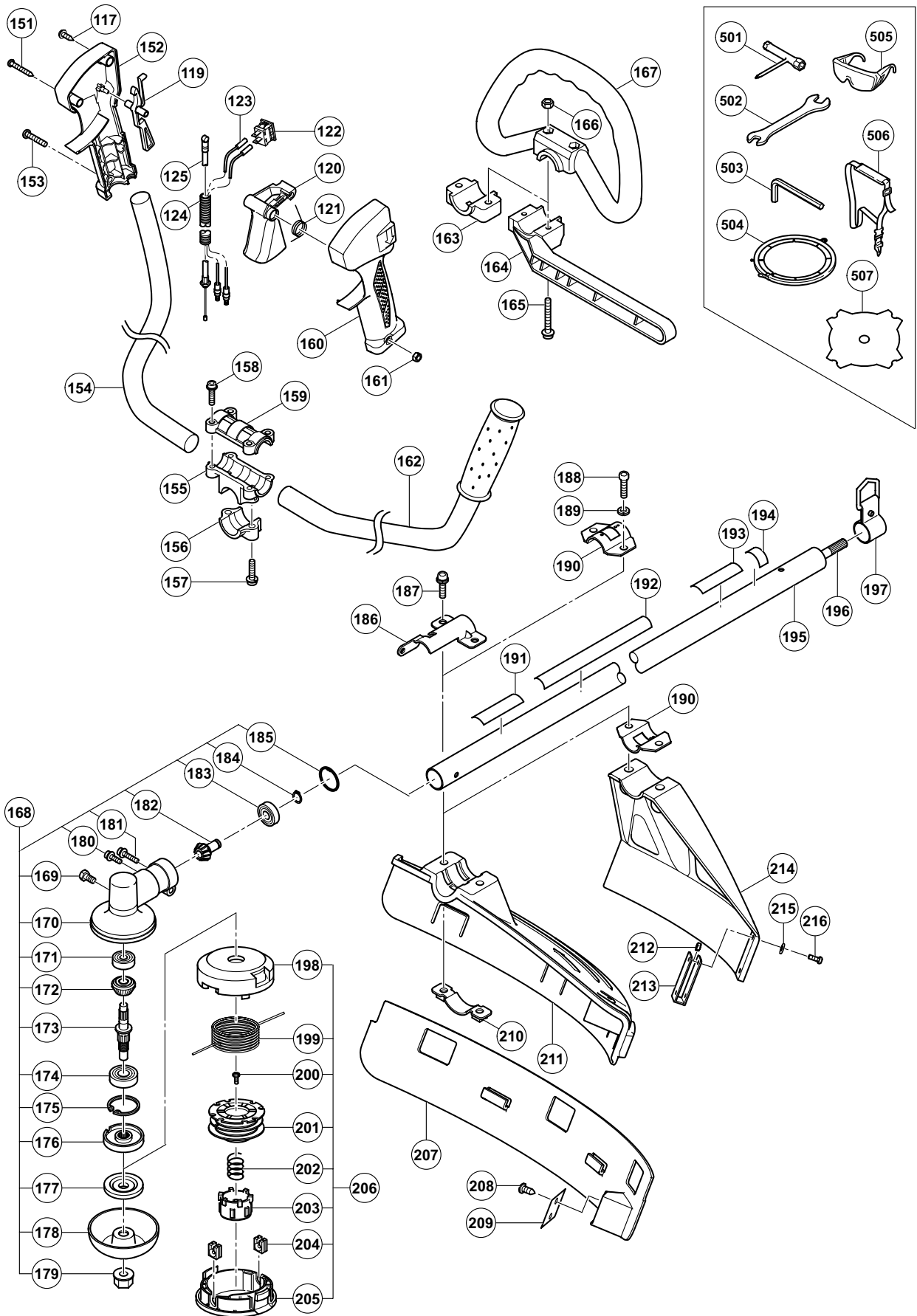
ENGINE BRUSH CUTTER Model CG 22EAS

2010·2·26

(E1)







PARTS

CG 22EAS

ITEM NO.	CODE NO.	DESCRIPTION	NO. USED	REMARKS
1		HITACHI LABEL	1	
* 2	669-6571	MUFFLER PROTECTOR	1	
* 2	669-6555	MUFFLER PROTECTOR	1	FOR EUROPE (SLP, SP), USA (SLP), CAN (SLP)
3	668-4638	HEX. HOLE BOLT M6 X 55	2	
4	949-432	BOLT WASHER M6 (10 PCS.)	2	
* 5	669-6570	MUFFLER ASS'Y	1	
* 5	669-6554	MUFFLER ASS'Y	1	FOR EUROPE (SLP, SP), USA (SLP), CAN (SLP)
6	669-6553	HEAT PROTECTION PANEL	1	
7	668-4586	HEX. HOLE BOLT M5 X 18/S	8	
8	887-021	SCREW (W/WSHERS) M5 X 16 (BLACK)	2	
* 9	668-4600	WASHER	2	FOR EUROPE (SLP, SP), USA (SLP), CAN (SLP)
10	668-4595	HEX. HOLE BOLT M4 X 12/S	4	
11	669-6536	INTAKE COVER (B)	1	
12	669-6534	COVER PACKING	2	
13	669-6527	CYLINDER	1	
* 14	669-6528	CYLINDER COVER	1	
* 14	669-6529	CYLINDER COVER	1	FOR USA (SLP), CAN (SLP)
15	307-606	MACHINE SCREW (W/WASHERS) M4 X 20 (BLACK)	2	
16		CAUTION MARK	1	
* 17	668-5052	SPARK PLUG CJ6	1	
* 17	668-4584	SPARK PLUG BMR7A	1	FOR EUROPE (SLP, SP), RUS (SLP, SP), AUS (SL, S), NZL (SL, S), CHN (SL, S)
18	669-6535	INTAKE COVER (A)	1	
19	669-6548	INTAKE PACKING	1	
20	669-6943	CARBURETOR INSULATOR	1	
21	880-734	MACHINE SCREW (W/WASHERS) M5 X 25 (BLACK)	3	
22	668-4616	CARBURETOR GASKET	1	
23	668-4628	SWIVEL CAP	1	
24	669-6550	CARBURETOR ASS'Y WYC-22	1	INCLUD. 25-39
25		BRACKET CABLE	1	
26		SWIVEL	1	
27		RING SPRING RETAINING	1	
28		GASKET PUMP	1	
29		DIAPHRAGM PUMP	1	
30		PLATE PUMP	1	
31		COVER-METERING DIAPHRAGM	1	
32		SCREW (A)	4	
33		SCREW (B)	2	
34		O-RING	1	
35		JET	1	
36		GASKET PLATE	1	
37		BODY ASS'Y PUMP	1	
38		GASKET METERING DIAPHRAGM	1	
39		DIAPHRAGM ASS'Y METERING	1	
40	307-224	MACHINE SCREW (W/WASHERS) M5 X 60 (BLACK)	2	
41	669-6962	FUEL PIPE	1	
42		AIR CLEANER HOUSING	1	
43		PRIMER PUMP	1	
44		AIR FILTER	1	
45		CLEANER COVER	1	

PARTS

CG 22EAS

ITEM NO.	CODE NO.	DESCRIPTION	NO. USED	REMARKS
46	669-6549	AIR CLEANER ASS'Y	1	INCLUD. 42-45
* 47		START LABEL (A)	1	FOR USA (SLP), CAN (SLP)
48	669-6530	CYLINDER PACKING	1	
49	669-6532	PISTON RING	1	
50	669-6531	PISTON	1	
51	668-4590	PISTON PIN CIRCLIP	2	
52	669-6944	PISTON PIN	1	
53	669-6538	CRANK CASE (B) COMP	1	INCLUD. 55, 56
54	669-6539	CRANK CASE PACKING	1	
55	668-4607	OIL SEAL TB 12227	2	
56	668-4608	BALL BEARING 6001 C3	2	
57	669-6946	SHIM	1	
58	669-6945	SHIM	1	
59	669-6533	CRANK SHAFT COMP.	1	
60	669-6537	CRANK CASE (A) COMP	1	INCLUD. 55, 56, 61
61	669-5521	KNOCK PIN 4 X 12	2	
62	668-4672	RECOIL STARTER BODY ASS'Y	1	INCLUD. 63-70
63	668-4679	SET SCREW	1	
64	668-4678	CAM PLATE	1	
65	668-4677	DUMPER SPRING	1	
66	668-4676	STARTER ROPE REEL	1	
67	668-4675	RECOIL SPRING	1	
68	668-4673	RECOIL STARTER BODY COMP.	1	
69	668-4674	STARTER ROPE 3.5 X 860	1	
70	668-4680	STARTER HANDLE	1	
71		NAME PLATE	1	
72	993-539	MACHINE SCREW (W/WASHERS) M4 X 16	2	
73		RETAINING RING D5E	2	
74		STARTER PULLEY	1	
75		STARTER PAWL SPRING	2	
76		STARTER PAWL	2	
77	668-4681	STARTER PULLEY ASS'Y	1	INCLUD. 73-76
91	668-4667	HEX. HOLE BOLT M5 X 12/S	1	
92	305-583	HEX. SOCKET HD. BOLT (W/SP. WASHER) M5 X 20	2	
93	669-6540	FAN CASE COMP	1	
94	669-6541	CLUTCH SHAFT COMP	1	
95	669-6469	STEP BOLT	2	
96	668-4648	BENT WASHER 8	2	
97	669-6546	CLUTCH PLATE (A)	2	
98	669-6948	CLUTCH	1	
99	669-6547	CLUTCH WASHER (B)	2	
100	668-5337	FLYWHEEL NUT	1	
101	323-212	BOLT WASHER M8 (BLACK)	1	
102	669-6929	IGNITION COIL ASS'Y	1	INCLUD. 104, 105
103	668-4599	HEX. HOLE BOLT M4 X 18/WS	2	
104		PLUG CAP	1	
105		METAL FITTING OF PLUG CAP	1	
106	669-6544	CORD	1	
107	669-6545	EARTH CORD	1	
108	669-6928	MAGNETO ROTOR COMP.	1	

PARTS

CG 22EAS

ITEM NO.	CODE NO.	DESCRIPTION	NO. USED	REMARKS
109	669-6963	ANTI VIBE RUBBER (A)	1	
110	669-6542	PIPE HOLDER (A)	1	
111	302-012	NUT M5 (BLACK)	3	
112	669-6543	PIPE HOLDER (B)	1	
113	669-6964	ANTI VIBE RUBBER (B)	1	
114	939-542	RETAINING RING FOR D12 SHAFT (10 PCS.)	1	
115	668-4636	TAPPING SCREW D4.5 X 16	1	
116	995-096	MACHINE SCREW (W/WASHERS) M5 X 20 (BLACK)	2	
117	305-812	TAPPING SCREW (W/FLANGE) D4 X 16 (BLACK)	4	
* 118	669-6942	HANDLE (B)	1	
* 118	669-6487	HANDLE (B)	1	FOR EUROPE (SLP), RUS (SP), AUS (SL), NZL (SL), CHN (SL)
* 119	669-6490	LOCK LEVER	1	FOR EUROPE (SLP, SP), RUS (SLP, SP), AUS (SL, S), NZL (SL, S), CHN (SL, S)
120	669-6488	LEVER	1	
121	669-6489	SPRING (A)	1	
122	669-6940	STOP SWITCH	1	
123	669-6491	STOP SWITCH CORD	2	
124	669-6964	ANTI VIBE RUBBER (B)	1	
125	669-6560	THROTTLE WIRE COMP	1	
* 126	669-6941	HANDLE (A)	1	
* 126	669-6486	HANDLE (A)	1	FOR EUROPE (SLP), RUS (SL), AUS (SL), NZL (SL), CHN (SL)
* 127	669-6569	TANK	1	
* 127	669-6552	TANK	1	FOR USA (SLP), CAN (SLP)
128	668-4620	PUMP FILTER BODY COMP.	1	
129	669-6949	CLIP	1	
* 130	669-6556	STAND	1	FOR USA (SLP), CAN (SLP)
* 131	669-6574	BOLT (W/FLANGE)	3	
* 131	669-6557	FLANGE BOLT	3	FOR USA (SLP), CAN (SLP)
132	669-6551	SHIELD TUBE	1	
133	669-6476	FUEL PIPE	1	
134	669-6970	RETURN GROMMET	1	
* 135	668-4625	TANK CAP CHAIN	1	FOR EUROPE (SLP, SP), RUS (SLP, SP), USA (SLP), CAN (SLP), AUS (SL, S), NZL (SL, S), CHN (SL, S)
* 136	668-4622	TANK CAP ASS'Y	1	INCLUD. 135
* 136	668-5071	TANK CAP ASS'Y	1	INCLUD. 135 EXCEPT FOR EUROPE (SLP, SP), RUS (SLP, SP), USA (SLP), CAN (SLP), AUS (SL, S), NZL (SL, S), CHN (SL, S)
* 151	323-837	TAPPING SCREW (W/FLANGE) D4 X 30	1	FOR EUROPE (SP), RUS (SP), MEX (S), AUS (S), NZL (S), UAE (S), CHN (S), TPE (S)
* 152	669-6591	HANDLE (B)	1	
* 152	669-6590	HANDLE (B)	1	FOR EUROPE (SP), AUS (S), NZL (S), CHN (S)
* 153	323-041	MACHINE SCREW M5 X 30 (BLACK)	1	FOR EUROPE (SP), RUS (SP), MEX (S), AUS (S), NZL (S), UAE (S), CHN (S), TPE (S)
* 154	669-6585	HANDLE RIGHT	1	FOR EUROPE (SP), RUS (SP), MEX (S), AUS (S), NZL (S), UAE (S), CHN (S), TPE (S)
* 155	669-6577	HANDLE HOLDER (B)	1	FOR EUROPE (SP), RUS (SP), MEX (S), AUS (S), NZL (S), UAE (S), CHN (S), TPE (S)

PARTS

CG 22EAS

ITEM NO.	CODE NO.	DESCRIPTION	NO. USED	REMARKS	
* 156	669-6578	HANDLE HOLDER (C)	1	FOR EUROPE (SP), RUS (SP), MEX (S), AUS (S), NZL (S), UAE (S), CHN (S), TPE (S)	
* 157	668-4714	HEX. HOLE BUTTON SCREW 6 X 25S	2	FOR EUROPE (SP), RUS (SP), MEX (S), AUS (S), NZL (S), UAE (S), CHN (S), TPE (S)	
* 158	668-4709	HEX. HOLE BOLT M5 X 25/S	4	FOR EUROPE (SP), RUS (SP), MEX (S), AUS (S), NZL (S), UAE (S), CHN (S), TPE (S)	
* 159	669-6576	HANDLE HOLDER (A)	1	FOR EUROPE (SP), RUS (SP), MEX (S), AUS (S), NZL (S), UAE (S), CHN (S), TPE (S)	
* 160	669-6589	HANDLE (A)	1		
* 160	669-6588	HANDLE (A)	1	FOR EUROPE (SP), AUS (S), NZL (S), CHN (S)	
	161	302-012	NUT M5 (BLACK)	1	
* 162	669-6595	HANDLE LEFT ASS'Y	1	FOR EUROPE (SP), RUS (SP), MEX (S), AUS (S), NZL (S), UAE (S), CHN (S), TPE (S)	
* 163	669-6972	HANDLE HOLDER (A)	1	FOR USA (SLP), CAN (SLP), MEX (SL), UAE (SL), TPE (SL), SIN (SL)	
* 164	669-6973	BARRIER	1	FOR EUROPE (SLP), AUS (SL), NZL (SL), CHN (SL)	
* 165	669-6974	BOLT (BLACK) M6	2	FOR EUROPE (SLP), RUS (SLP), USA (SLP), CAN (SLP), MEX (SL), AUS (SL), NZL (SL), UAE (SL), CHN (SL), TPE (SL)	
* 166	949-556	NUT M6 (10 PCS.)	2	FOR EUROPE (SLP), RUS (SLP), USA (SLP), CAN (SLP), MEX (SL), AUS (SL), NZL (SL), UAE (SL), CHN (SL), TPE (SL), SIN (SL)	
* 167	669-6975	LOOP HANDLE	1	FOR EUROPE (SLP), RUS (SLP), USA (SLP), CAN (SLP), MEX (SL), AUS (SL), NZL (SL), UAE (SL), CHN (SL), TPE (SL), SIN (SL)	
* 168	669-6485	GEAR CASE ASS'Y 3BB (A)	1	INCLUD. 169-185	
* 168	669-6976	GEAR CASE ASS'Y 3BB (B) SET	1	INCLUD. 169-185 FOR USA (SLP), CAN (SLP)	
	169	669-6974	BOLT (BLACK) M6	1	
	170		GEAR CASE D24	1	
	171		BB. 626	1	
	172		GEAR	1	
	173		GEAR SHAFT D24	1	
	174		BB. 6000DDU	1	
	175		C-RING D26	1	
	176	669-6977	CUTTER HOLDER (A)	1	
* 177		CUTTER HOLDER (B)	1	EXCEPT FOR USA (SLP), CAN (SLP)	
* 178		NUT COVER	1	EXCEPT FOR USA (SLP), CAN (SLP)	
* 179		LEFT HAND NYLON NUT M10	1	EXCEPT FOR USA (SLP), CAN (SLP)	
	180		SCREW W/SPRING WASHER M5	1	
	181		HEX. BOLT M5	1	
	182		PINION	1	
	183		BB. 609Z	1	
	184		GRIP RING D9	1	
	185		C-RING D24	1	
* 186	669-6494	COVER BLACKET	1	EUROPE (SLP, SP), RUS (SLP, SP), AUS (SL, S), NZL (SL, S), CHN (SL, S)	
* 187	668-4714	HEX. HOLE BUTTON SCREW 6 X 25S	2	FOR EUROPE (SLP, SP), RUS (SLP, SP), MEX (S), AUS (SL, S), NZL (SL, S), UAE (S), CHN (SL, S), TPE (SL, S)	

