

B42

CG22EJ(LB)

Serial No.

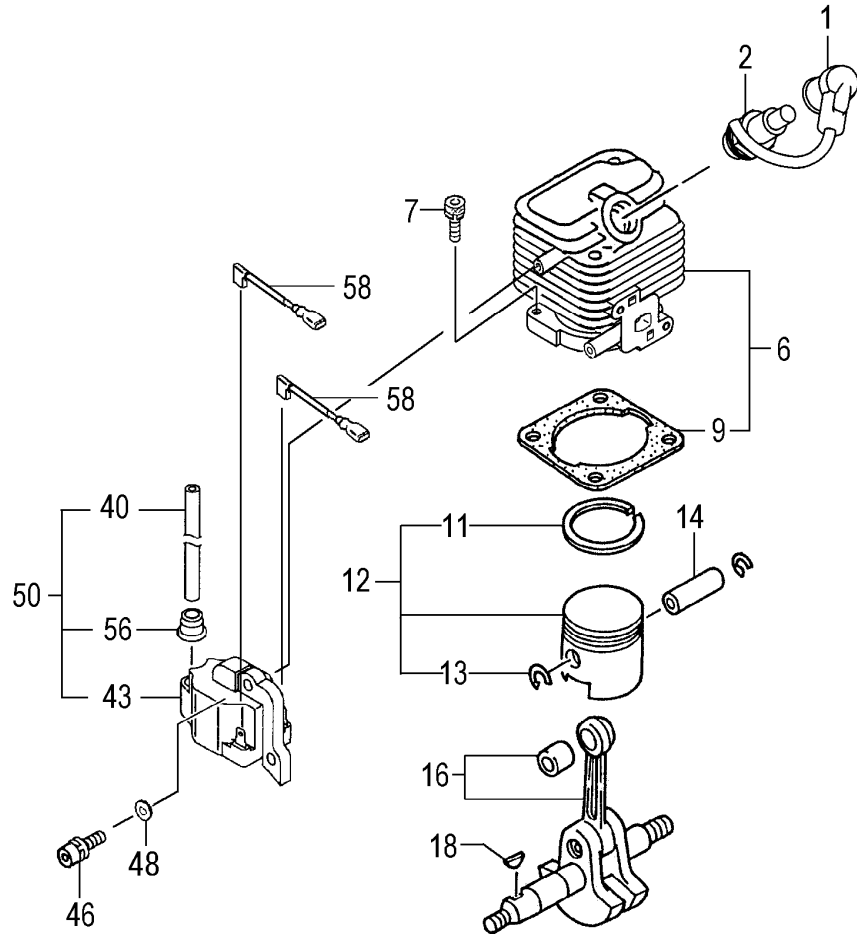
MPREF	MPHIN	MPNAM	MPQTY1	MFMPQTY3	MMP SRL2	MPSRL3	MPTAN	MPC5
		+++++++ MODEL:CG22EJB ++++++						0
		B43-01 CYLINDER/PISTON/CRANK						0
001	157-01570-90	SPARK PLUG CAP ASS'Y	1					0 *07
002	018-00555-20	SPARK PLUG, RCJ8Y	1					0 48495
006	001-07130-91	CYLINDER SET	1					0
007	994-61050-184	HEX. HOLE BOLT 5X18/S	2					0
009	017-00980-20	CYLINDER GASKET	1					0
011	041-00601-21	PISTON RING	1					0
012	030-00070-90	PISTON SET	1					0
013	039-00601-20	PISTON PIN CIRCLIP	2					0
014	037-06500-20	PISTON PIN	1					0
016	046-07135-80	CRANK SHAFT COMP.	1					0
040	178-20549-20	HIGH TENSION CORD 140L	1					0
043	167-20546-80	IGNITION COIL COMP.	1					0
046	994-63040-154	HEX.HOLE BOLT 4X15/PS	2					0
050	167-20546-91	IGNITION COIL	1					0
056	560-20517-20	RUBBER CAP	1					0
057	191-07025-90	REED WIRE ASS'Y	1					0
058	178-0136M-80	STOP CORD COMP.	2					0
		B42-02 CRANK CASE						0
019	330-00200-23	GEAR SHAFT SHIM 0.20	V					0
019	330-00200-24	GEAR SHAFT SHIM 0.30	V					0
020	798-07085-90	STARTER PULLEY ASS'Y	1					0
031	072-07120-92	CRANK CASE ASS'Y	1					0
032	999-66122-200	OIL SEAL TB 12227	2					0
033	999-61600-115	BALL BEARING 6001 C3	2					0
034	090-06410-20	CRANK CASE GASKET	1					0
036	994-61050-184	HEX. HOLE BOLT 5X18/S	3					0
051	155-20550-81	MAGNETO ROTOR COMP.	1					0
052	992-01080-011	WASHER 8	1					0
054	991-01080-011	HEX. NUT 8	1					0
		B42-03 ENGINE-01						0
040	403-0631A-20	INLET MANIFOLD GASKET	1					0
041	404-0099F-90	CARB INSULATOR SET	1					0
042	402-0602K-21	CARBURETOR GASKET	1					0
047	994-64050-224	HEX.HOLE BOLT 5X22/WS	2					0
055	994-14050-601	SCREW 5X60/S	2					0
056	992-01050-011	WASHER 5	2					0
059	223-07000-90	SHEELD TUBE	1					0
060	680-00731-20	CLIP, 6.3 DIA.	1					0

061	675-04042-80	PUMP FILTER BODY COMP.	1	0
062	591-07137-21	TANK	1	0
063	595-01690-90	TANK CAP ASS'Y (BLACK)	1	0
064	659-00801-20	COLLAR 5.8	3	0
065	455-07139-90	CARBURETOR SET WYL182	1	0
066	560-07120-20	SWIVEL CAP	1	0
067	994-63050-164	HEX.HOLE BOLT 5X16/PS	2	0
068	994-65050-205	SCREW 5X20WS	1	0
073	626-32550-20	TANK CAP CHAIN	1	0
078	700-03005-08	FUEL PIPE 3X5X85	1	0
079	534-32710-20	RETURN GROMMET	1	0
		B42-04 ENGINE-02		0
001	738-07162-20	MUFFLER PROTECTOR BLACK	1	0
002	994-15040-151	SCREW 4X15PS	1	0
004	990-73045-124	TAPPING SCREW 4.5X12	1	0
005	990-51050-503	HEX. HOLE BOLT 5X50	2	0
006	992-01050-061	WASHER 5	2	0
007	704-07001-90	MUFFLER SET	1	0
016	737-07000-20	MUFFLER GASKET	1	0
017	133-06540-20	HEAT SHIELD	1	0
031	359-02103-20	CLUTCH WASHER B	2	0
032	290-06410-80	CLUTCH SHOE COMP., T-16	2	0
033	342-06410-20	CLUTCH SPRING	1	0
034	348-0630A-20	CLUTCH PLATE A 0.5	2	0
035	357-00601-20	STEP BOLT	2	0
036	994-64050-184	HEX.HOLE BOLT 5X18/WS	2	0
038	992-05080-030	BENT WASHER 8	2	0
045	994-64050-304	HEX.HOLE BOLT 5X30/WS	1	0
063	198-11600-80	CORD CLAMP COMP.	1	0
		B42-05 RECOIL STARTER		0
000	762-03045-90	RECOIL STARTER BODY ASS'Y	1	0
001	772-03045-80	RECOIL STARTER BODY COMP.	1	0
002	774-03045-20	STARTER ROPE REEL	1	0
003	779-03045-20	RECOIL SPRING	1	0
004	777-03045-20	SWING ARM	1	0
005	839-03045-20	SET SCREW	1	0
006	771-03045-20	PULLEY STAY	1	0
007	783-03045-20	ROPE	1	0
008	785-03045-20	STARTER HANDLE	1	0
022	798-03045-20	STARTER PULLEY	1	0
024	994-63040-154	HEX.HOLE BOLT 4X15/PS	4	0

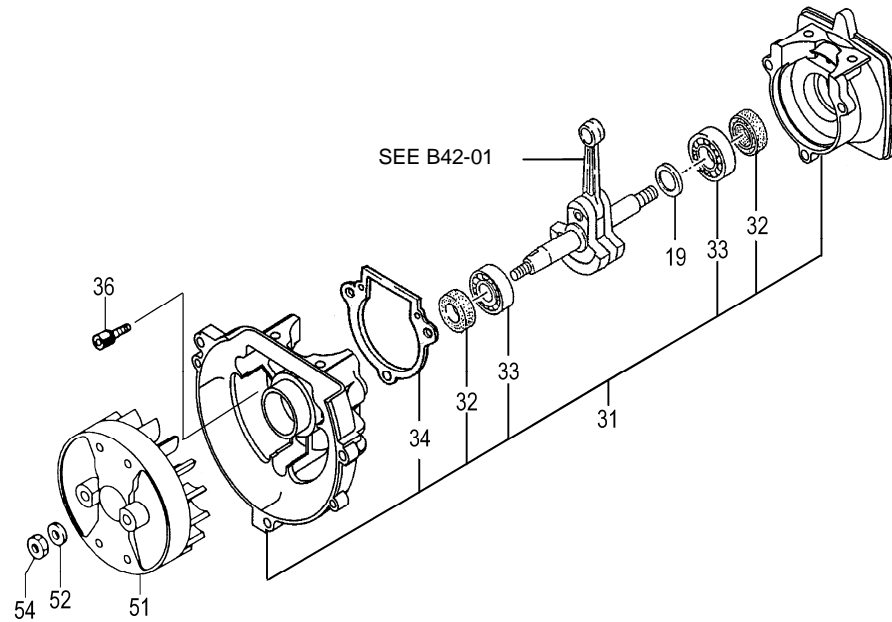
		B42-06 AIR CLEANER		0
000	410-07142-91	CLEANER ASSY	1	0
001	452-00070-92	CLEANER COVER SET	1	0
002	421-00070-20	AIRCLEANER ELEMENT	1	0
003	380-0637C-20	SPECIAL SCREW	1	0
004	423-00070-81	CLEANER BODY COMP.	1	0
006	528-07143-80	CHOKE VALVE COMP.	1	0
007	992-04080-031	WAVE WASHER 8	1	0
008	657-3252A-20	COLLAR 8	1	0
		B42-07 CARBURETOR		0
002	575-25153-80	PUMP BODY COMP	1	0
003	442-25151-80	PRIMING PUMP COMP.	1	0
004	476-25151-20	DIAPHRAGM COVER	1	0
005	447-25108-20	PRIMING BODY	1	0
006	474-25241-80	METERING DIAPHRAGM COMP.	1	0
007	475-25153-20	DIAPHRAGM GASKET	1	0
008	576-25100-20	PUMP DIAPHRAGM	1	0
009	577-25100-20	PUMP GASKET	1	0
010	599-2000W-38	MAIN JET #38	1	0
011	550-25100-20	O-RING	1	0
012	489-25100-20	STOP RING	1	0
013	539-25120-20	SWIVEL	1	0
015	548-25140-20	THROTTLE SET SCREW	2	0
020	548-25151-20	SET SCREW	4	0
021	578-25007-20	INLET SCREEN	1	0
		B42-08 FAN CASE		0
001	289-07130-80	CLUTCH SHAFT COMP.	1	0
005	599-07120-21	ANTI-VIBE RUBBER	1	0
006	990-51050-163	HEX. HOLE BOLT 5X16	1	0
008	994-61050-254	HEX. HOLE BOLT 5X25/S	1	0
011	112-07124-80	FAN CASE COMP. OR	1	0
015	360-00996-20	PIPE HOLDER, 24 DIA.	1	0
026	992-01050-061	WASHER 5	1	0
027	324-37350-20	GEAR CASE WASHER	1	0
028	361-00990-20	METAL FITTING	1	0
		B42-09 OPERATION PIPE		0
001	341-3737A-92	DRIVE SHAFT PIPE ASS'Y	1	0
002	300-37710-92	CUTTER CASE ASS'Y	1	0
003	341-3737A-20	MAIN PIPE	1	0
004	350-37651-21	FLEXIBLE LINER	1	0
005	344-37651-21	FLEXIBLE SHAFT	1	0

006	304-37651-21	CUTTER SHAFT	1	0
007	999-61608-004	BALL BEARING 608DD, 22MM/OD	2	0
008	348-37651-20	COLLAR	1	0
009	990-11050-101	SCREW 5X10	1	0
010	300-37710-21	CUTTER CASE	1	0
011	994-25050-301	BOLT 5X30 PS W/PLUS	1	0
012	315-37710-20	SPECIAL NUT	1	0
013	993-53022-002	STOP RING R-22, INNER	1	0
014	310-37710-20	CUTTER HOLDER	1	0
020	441-38446-20	SAFETY GUARD COMP.	1	0
021	442-38446-20	SAFETY GUARD BURACKET	1	0
030	445-38360-20	SAFETY GUARD HOLDER	1	0
031	994-61050-304	HEX. HOLE BOLT 5X30S	2	0
032	797-38331-20	KNIFN	1	0
034	993-17052-002	TAPPING SCREW 5X20	1	0
048	346-3737A-20	HOLDER, PIPE	2	0
050	504-37400-20	SHAFT GRIP	1	0
073	320-37651-20	SPACER	1	0
		B42-10 THROTTLE LEVER/HANDLE		0
016	885-00025-80	THROTTLE WIRE COMP.	1	0
026	500-37704-20	HANDLE 22MM	1	0
027	991-01060-011	NUT 6	2	0
028	506-37704-20	HANDLE BRACKET A, 22MM	1	0
029	992-01060-011	WASHER 6	2	0
031	990-23060-401	PLUS BOLT 6X40	2	0
051	178-37394-80	STOP CORD, B430M	2	0
052	164-10017-01	PROTECTION TUBE 10X170L	1	0
055	870-3770B-90	THROTTLE LEVER ASS'Y	1	0
056	162-37101-20	STOP SWITCH	1	0
057	993-42030-081	TAPPING SCREW 3X8	3	0
058	259-37101-20	STOP SWITCH BASE	1	0
059	262-37101-20	STOP SWITCH SPRING	1	0
060	177-37101-20	EARTH TERMINAL B	1	0
061	176-37101-20	EARTH TERMINAL A	1	0
062	315-33340-20	SPECIAL NUT 5	2	0
063	993-55060-001	STOP RING E-6	1	0
064	832-37101-20	RETURN SPRING	1	0
065	880-37286-20	THROTTLE ARM	1	0
066	994-31050-201	SCREW 5X20	2	0
067	853-37101-20	LOCK BUTTON SHAFT	1	0
068	958-37101-20	LOCK BUTTON SPRING	1	0

069	956-37101-20	LOCK BUTTON	1	0
070	260-3770B-20	STOP BUTTON BODY B	1	0
		B42-11 TOOLS		0
000	783-37770-90	NYLON CUTTING HEAD, BUMP 4	1	0
001	760-37770-20	SPECIAL WASHER	1	0
002	786-37770-20	CUTTING BODY	1	0
003	356-37770-20	MOUNTING NUT M8X1.25F	1	0
004	793-37770-20	REEL SPRING	1	0
005	788-37770-20	EYELET	2	0
006	787-37770-20	SPOOL	1	0
008	789-37770-20	NYLON CORD CAP	1	0
030	813-20000-20	HEX. WRENCH 4	1	0
031	829-20000-80	COMBI BOX SPANNER 13X19 , PLUS	1	0
032	541-37590-20	PROTECTION GLASSES	1	0
		B42-12 LABELS		0
001	906-07183-20		1	0
002	929-07183-20		1	0
003	919-38515-20	CAUTION MARK 9900RPM	1	0
		===== END OF DATA =====		0

B42-01**CG22EJ(LB) CYLINDER/PISTON/CRANK SHAFT**

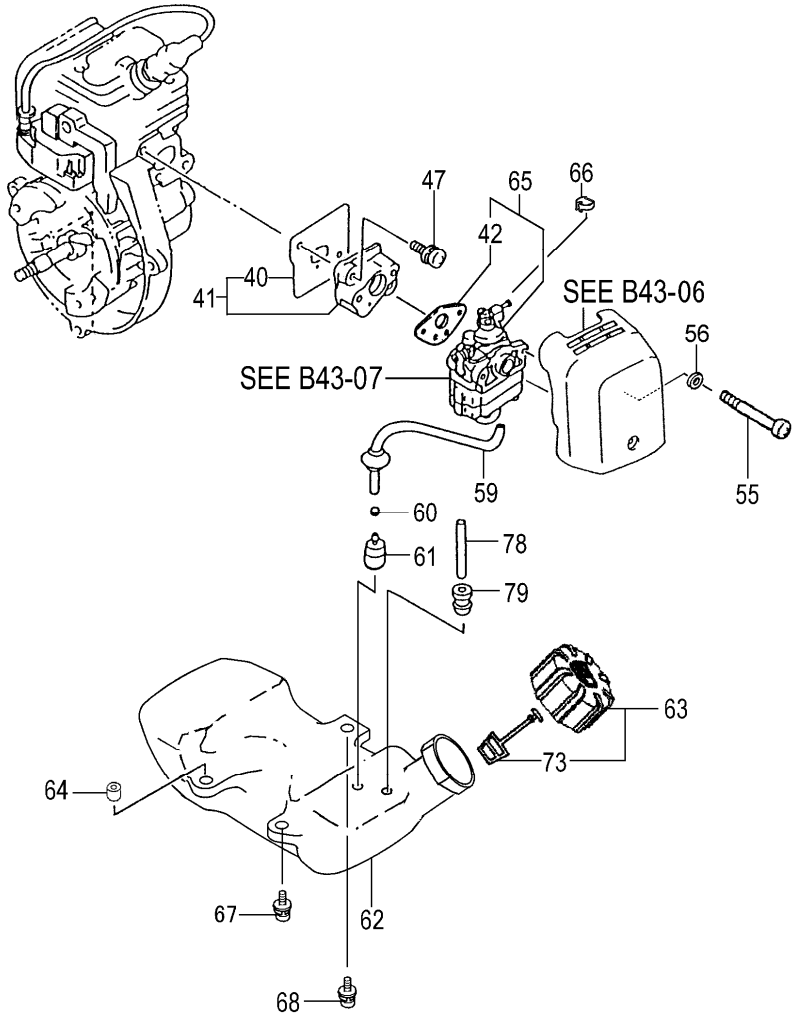
REF. NUMBER	PARTS NUMBER	DESCRIPTION	Q'TY	SERIAL NUMBER
001	157-01570-90	SPARK PLUG CAP ASS'Y	1	
002	018-00555-20	SPARK PLUG, RCJ8Y	1	
006	001-07130-91	CYLINDER SET	1	
007	994-61050-184	HEX. HOLE BOLT 5X18/S	2	
009	017-00980-20	CYLINDER GASKET	1	
011	041-00601-21	PISTON RING	1	
012	030-00070-90	PISTON SET	1	
013	039-00601-20	PISTON PIN CIRCLIP	2	
014	037-06500-20	PISTON PIN	1	
016	046-07135-80	CRANK SHAFT COMP.	1	
040	178-20549-20	HIGH TENSION CORD 140L	1	
043	167-20546-80	IGNITION COIL COMP.	1	
046	994-63040-154	HEX.HOLE BOLT 4X15/PS	2	
050	167-20546-91	IGNITION COIL	1	
056	560-20517-20	RUBBER CAP	1	
057	191-07025-90	REED WIRE ASS'Y	1	
058	178-0136M-80	STOP CORD COMP.	2	

B42-02**CG22EJ(LB) CRANK CASE**

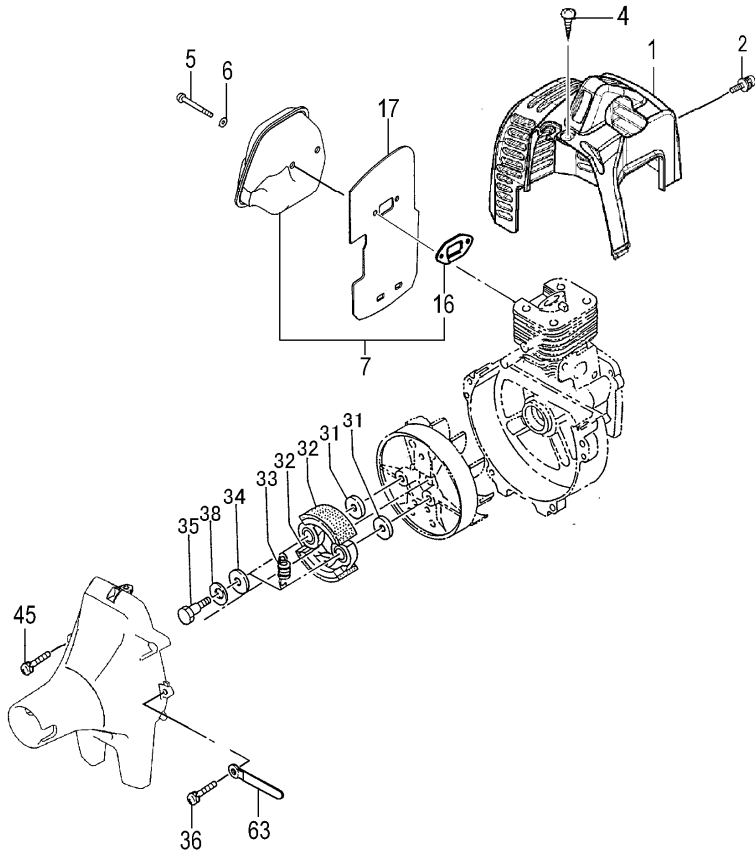
REF. NUMBER	PARTS NUMBER	DESCRIPTION	Q'TY	SERIAL NUMBER
019	330-00200-23	GEAR SHAFT SHIM 0.20	V	
019	330-00200-24	GEAR SHAFT SHIM 0.30	V	
020	798-07085-90	STARTER PULLEY ASS'Y	1	
031	072-07120-92	CRANK CASE ASS'Y	1	
032	999-66122-200	OIL SEAL TB 12227	2	
033	999-61600-115	BALL BEARING 6001 C3	2	
034	090-06410-20	CRANK CASE GASKET	1	
036	994-61050-184	HEX. HOLE BOLT 5X18/S	3	
051	155-20550-81	MAGNETO ROTOR COMP.	1	
052	992-01080-011	WASHER 8	1	
054	991-01080-011	HEX. NUT 8	1	

B42-03

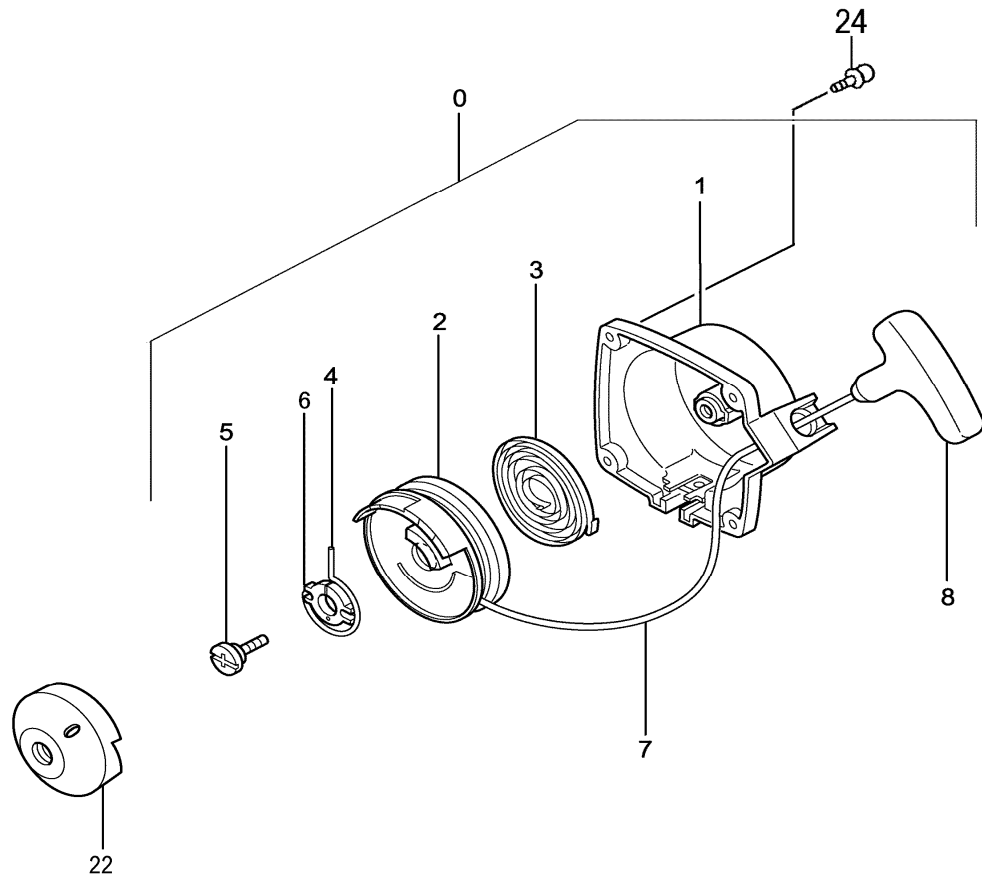
CG22EJ(LB) ENGINE-1



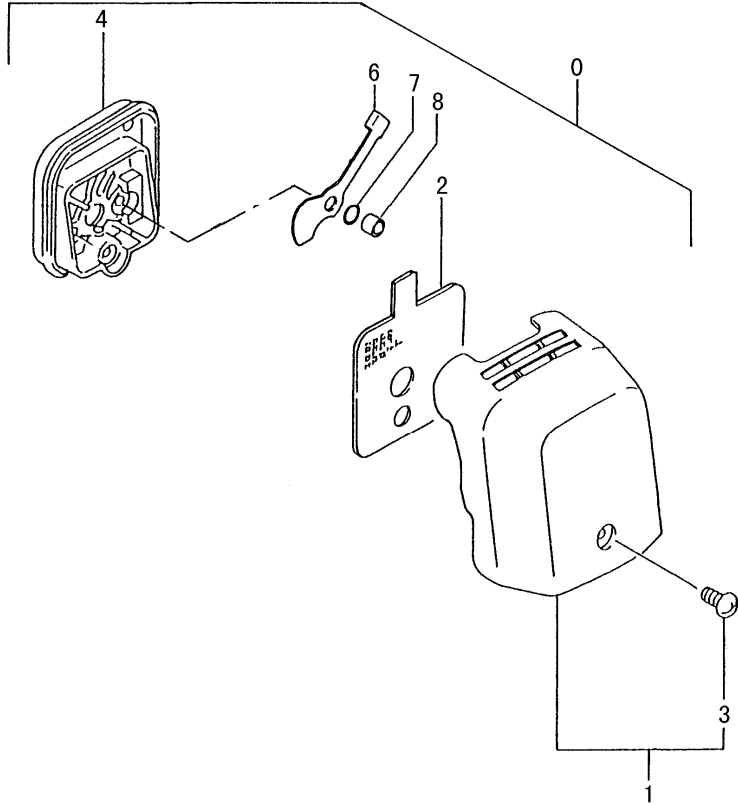
REF. NUMBER	PARTS NUMBER	DESCRIPTION	Q'TY	SERIAL NUMBER
040	403-0631A-20	INLET MANIFOLD GASKET	1	
041	404-0099F-90	CARB INSULATOR SET	1	
042	402-0602K-21	CARBURETOR GASKET	1	
047	994-64050-224	HEX.HOLE BOLT 5X22/WS	2	
055	994-14050-601	SCREW 5X60/S	2	
056	992-01050-011	WASHER 5	2	
059	223-07000-90	SHEILD TUBE	1	
060	680-00731-20	CLIP, 6.3 DIA.	1	
061	675-04042-80	PUMP FILTER BODY COMP	1	
062	591-07137-21	TANK	1	
063	595-01690-90	TANK CAP ASS'Y (BLACK)	1	
064	659-00801-20	COLLAR 5.8	3	
065	455-07139-90	CARBURETOR SET WYL18	1	
066	560-07120-20	SWIVEL CAP	1	
067	994-63050-164	HEX.HOLE BOLT 5X16/PS	2	
068	994-65050-205	SCREW 5X20WS	1	
073	626-32550-20	TANK CAP CHAIN	1	
078	700-03005-08	FUEL PIPE 3X5X85	1	
079	534-32710-20	RETURN GROMMET	1	

B42-04**CG22EJ(LB) ENGINE-2**

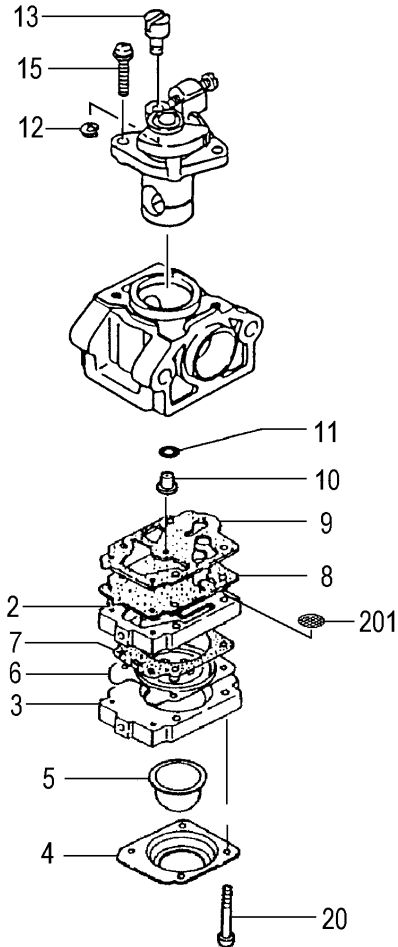
REF. NUMBER	PARTS NUMBER	DESCRIPTION	Q'TY	SERIAL NUMBER
001	738-07162-20	MUFFLER PROTECTOR BL	1	
002	994-15040-151	SCREW 4X15PS	1	
004	990-73045-124	TAPPING SCREW 4.5X12	1	
005	990-51050-503	HEX. HOLE BOLT 5X50	2	
006	992-01050-061	WASHER 5	2	
007	704-07001-90	MUFFLER SET	1	
016	737-07000-20	MUFFLER GASKET	1	
017	133-06540-20	HEAT SHIELD	1	
031	359-02103-20	CLUTCH WASHER B	2	
032	290-06410-80	CLUTCH SHOE COMP.,T-16	2	
033	342-06410-20	CLUTCH SPRING	1	
034	348-0630A-20	CLUTCH PLATE A 0.5	2	
035	357-00601-20	STEP BOLT	2	
036	994-64050-184	HEX.HOLE BOLT 5X18/WS	2	
038	992-05080-030	BENT WASHER 8	2	
045	994-64050-304	HEX.HOLE BOLT 5X30/WS	1	
063	198-11600-80	CORD CLAMP COMP.	1	

B42-05**CG22EJ(LB) RECOIL STARTER**

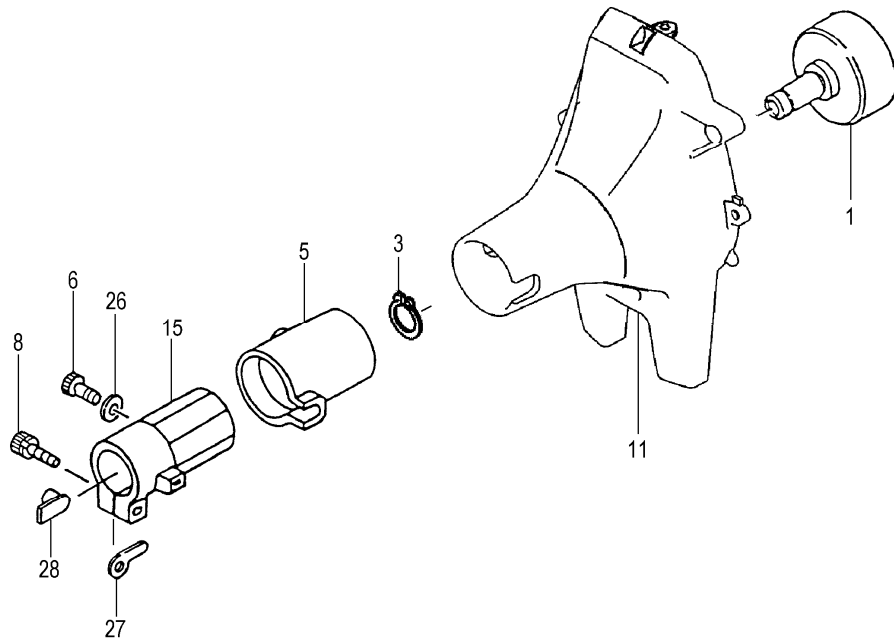
REF. NUMBER	PARTS NUMBER	DESCRIPTION	Q'TY	SERIAL NUMBER
000	762-03045-90	RECOIL STARTER BODY AS	1	
001	772-03045-80	RECOIL STARTER BODY C	1	
002	774-03045-20	STARTER ROPE REEL	1	
003	779-03045-20	RECOIL SPRING	1	
004	777-03045-20	SWING ARM	1	
005	839-03045-20	SET SCREW	1	
006	771-03045-20	PULLEY STAY	1	
007	783-03045-20	ROPE	1	
008	785-03045-20	STARTER HANDLE	1	
022	798-03045-20	STARTER PULLEY	1	
024	994-63040-154	HEX.HOLE BOLT 4X15/PS	4	

B42-06**CG22EJ(LB) AIR CLEANER**

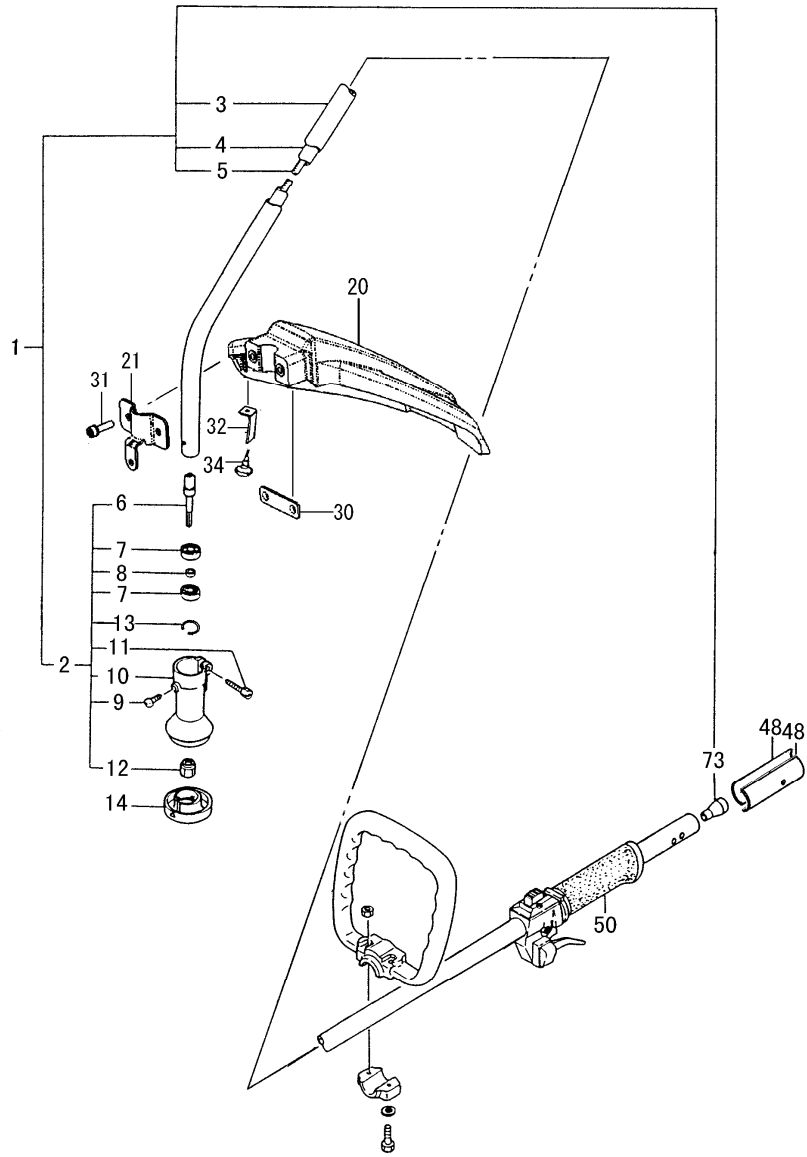
REF. NUMBER	PARTS NUMBER	DESCRIPTION	Q'TY	SERIAL NUMBER
000	410-07142-91	CLEANER ASSY	1	
001	452-00070-92	CLEANER COVER SET	1	
002	421-00070-20	AIRCLEANER ELEMENT	1	
003	380-0637C-20	SPECIAL SCREW	1	
004	423-00070-81	CLEANER BODY COMP.	1	
006	528-07143-80	CHOKE VALVE COMP.	1	
007	992-04080-031	WAVE WASHER 8	1	
008	657-3252A-20	COLLAR 8	1	

B42-07**CG22EJ(LB) CARBURETOR**

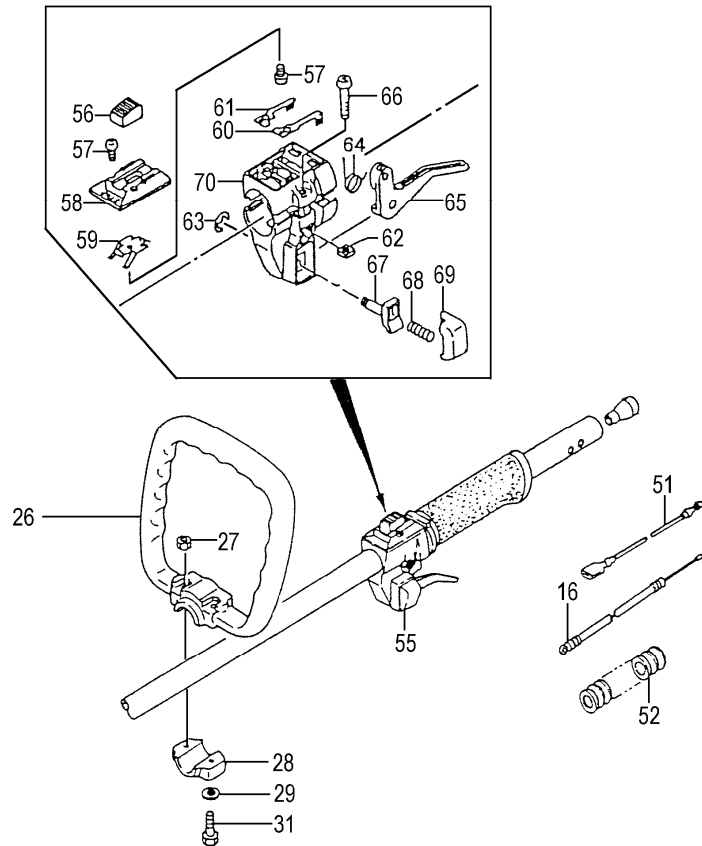
REF. NUMBER	PARTS NUMBER	DESCRIPTION	Q'TY	SERIAL NUMBER
002	575-25153-80	PUMP BODY COMP	1	
003	442-25151-80	PRIMING PUMP COMP.	1	
004	476-25151-20	DIAPHRAGM COVER	1	
005	447-25108-20	PRIMING BODY	1	
006	474-25241-80	METERING DIAPHRAGM CO	1	
007	475-25153-20	DIAPHRAGM GASKET	1	
008	576-25100-20	PUMP DIAPHRAGM	1	
009	577-25100-20	PUMP GASKET	1	
010	599-2000W-38	MAIN JET #38	1	
011	550-25100-20	O-RING	1	
012	489-25100-20	STOP RING	1	
013	539-25120-20	SWIVEL	1	
015	548-25140-20	THROTTLE SET SCREW	2	
020	548-25151-20	SET SCREW	4	
201	578-25007-20	INLET SCREEN	1	

B42-08**CG22EJ(LB) FAN CASE**

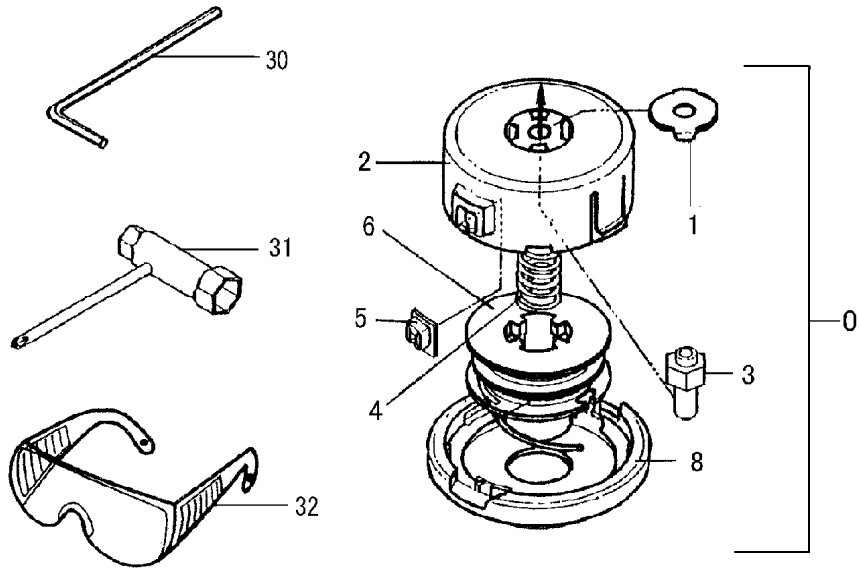
REF. NUMBER	PARTS NUMBER	DESCRIPTION	Q'TY	SERIAL NUMBER
001	289-07130-80	CLUTCH SHAFT COMP.	1	
005	599-07120-21	ANTI-VIBE RUBBER	1	
006	990-51050-163	HEX. HOLE BOLT 5X16	1	
008	994-61050-254	HEX. HOLE BOLT 5X25/S	1	
011	112-07124-80	FAN CASE COMP. OR	1	
015	360-00996-20	PIPE HOLDER,24 DIA.	1	
026	992-01050-061	WASHER 5	1	
027	324-37350-20	GEAR CASE WASHER	1	
028	361-00990-20	METAL FITTING	1	

B42-09**CG22EJ(LB) OPERATION PIPE**

REF. NUMBER	PARTS NUMBER	DESCRIPTION	Q'TY	SERIAL NUMBER
001	341-3737A-92	DRIVE SHAFT PIPE ASS'Y	1	
002	300-37710-92	CUTTER CASE ASS'Y	1	
003	341-3737A-20	MAIN PIPE	1	
004	350-37651-21	FLEXIBLE LINER	1	
005	344-37651-21	FLEXIBLE SHAFT	1	
006	304-37651-21	CUTTER SHAFT	1	
007	999-61608-004	BALL BEARING 608DD, 22M	2	
008	348-37651-20	COLLAR	1	
009	990-11050-101	SCREW 5X10	1	
010	300-37710-21	CUTTER CASE	1	
011	994-25050-301	BOLT 5X30 PS W/PLUS	1	
012	315-37710-20	SPECIAL NUT	1	
013	993-53022-002	STOP RING R-22, INNER	1	
014	310-37710-20	CUTTER HOLDER	1	
020	441-38446-20	SAFETY GUARD COMP.	1	
021	442-38446-20	SAFETY GUARD BURACKE	1	
030	445-38360-20	SAFETY GUARD HOLDER	1	
031	994-61050-304	HEX. HOLE BOLT 5X30S	2	
032	797-38331-20	KNIFN	1	
034	993-17052-002	TAPPING SCREW 5X20	1	
048	346-3737A-20	HOLDER, PIPE	2	
050	504-37400-20	SHAFT GRIP	1	
073	320-37651-20	SPACER	1	

B42-10**CG22EJ(LB) THROTTLE LEVER/HANDLE**

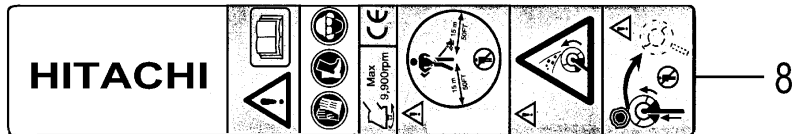
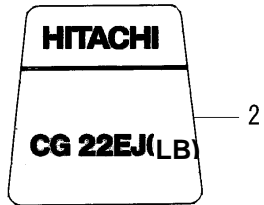
REF. NUMBER	PARTS NUMBER	DESCRIPTION	Q'TY	SERIAL NUMBER
016	885-00025-80	THROTTLE WIRE COMP.	1	
026	500-37704-20	HANDLE 22MM	1	
027	991-01060-011	NUT 6	2	
028	506-37704-20	HANDLE BRACKET A, 22MM	1	
029	992-01060-011	WASHER 6	2	
031	990-23060-401	PLUS BOLT 6X40	2	
051	178-37394-80	STOP CORD, B430M	2	
052	164-10017-01	PROTECTION TUBE 10X170	1	
055	870-3770B-90	THROTTLE LEVER ASS'Y	1	
056	162-37101-20	STOP SWITCH	1	
057	993-42030-081	TAPPING SCREW 3X8	3	
058	259-37101-20	STOP SWITCH BASE	1	
059	262-37101-20	STOP SWITCH SPRING	1	
060	177-37101-20	EARTH TERMINAL B	1	
061	176-37101-20	EARTH TERMINAL A	1	
062	315-33340-20	SPECIAL NUT 5	2	
063	993-55060-001	STOP RING E-6	1	
064	832-37101-20	RETURN SPRING	1	
065	880-37286-20	THROTTLE ARM	1	
066	994-31050-201	SCREW 5X20	2	
067	853-37101-20	LOCK BUTTON SHAFT	1	
068	958-37101-20	LOCK BUTTON SPRING	1	
069	956-37101-20	LOCK BUTTON	1	
070	260-3770B-20	STOP BUTTON BODY B	1	



REF. NUMBER	PARTS NUMBER	DESCRIPTION	Q'TY	SERIAL NUMBER
000	783-37770-90	NYLON CUTTING HEAD, BU	1	
001	760-37770-20	SPECIAL WASHER	1	
002	786-37770-20	CUTTING BODY	1	
003	356-37770-20	MOUNTING NUT M8X1.25F	1	
004	793-37770-20	REEL SPRING	1	
005	788-37770-20	EYELET	2	
006	787-37770-20	SPOOL	1	
008	789-37770-20	NYLON CORD CAP	1	
030	813-20000-20	HEX. WRENCH 4	1	
031	829-20000-80	COMBI BOX SPANNER 13X	1	
032	541-37590-20	PROTECTION GLASSES	1	

B42-12

CG22EJ(LB) LABELS



REF. NUMBER	PARTS NUMBER	DESCRIPTION	Q'TY	SERIAL NUMBER
001	906-07183-20		1	
002	929-07183-20		1	
003	919-38515-20	CAUTION MARK 9900RPM	1	