

**B43**

**CG22EJ(S)**

**Serial No.**

| MPREF | MPHIN         | MPNAM                        | MPQTY1 | MPS.MPSRL2 | MPS |
|-------|---------------|------------------------------|--------|------------|-----|
|       |               | +++++++ MODEL:CG22EJS ++++++ |        |            |     |
|       |               | B43-01 CYLINDER/PISTON/CRANK |        |            |     |
| 001   | 157-01570-90  | SPARK PLUG CAP ASS'Y         | 1      |            |     |
| 002   | 018-00555-20  | SPARK PLUG, RCJ8Y            | 1      |            |     |
| 006   | 001-07130-91  | CYLINDER SET                 | 1      |            |     |
| 007   | 994-61050-184 | HEX. HOLE BOLT 5X18/S        | 2      |            |     |
| 009   | 017-00980-20  | CYLINDER GASKET              | 1      |            |     |
| 011   | 041-00601-21  | PISTON RING                  | 1      |            |     |
| 012   | 030-00070-90  | PISTON SET                   | 1      |            |     |
| 013   | 039-00601-20  | PISTON PIN CIRCLIP           | 2      |            |     |
| 014   | 037-06500-20  | PISTON PIN                   | 1      |            |     |
| 016   | 046-07135-80  | CRANK SHAFT COMP.            | 1      |            |     |
| 040   | 178-20549-20  | HIGH TENSION CORD 140L       | 1      |            |     |
| 043   | 167-20546-80  | IGNITION COIL COMP.          | 1      |            |     |
| 046   | 994-63040-154 | HEX.HOLE BOLT 4X15/PS        | 2      |            |     |
| 050   | 167-20546-91  | IGNITION COIL                | 1      |            |     |
| 056   | 560-20517-20  | RUBBER CAP                   | 1      |            |     |
| 057   | 191-07025-90  | REED WIRE ASS'Y              | 1      |            |     |
|       |               | B43-02 CRANK CASE            |        |            |     |
| 019   | 330-00200-23  | GEAR SHAFT SHIM 0.20         | V      |            |     |
| 019   | 330-00200-24  | GEAR SHAFT SHIM 0.30         | V      |            |     |
| 020   | 798-07085-90  | STARTER PULLEY ASS'Y         | 1      |            |     |
| 031   | 072-07120-92  | CRANK CASE ASS'Y             | 1      |            |     |
| 032   | 999-66122-200 | OIL SEAL TB 12227            | 2      |            |     |
| 033   | 999-61600-115 | BALL BEARING 6001 C3         | 2      |            |     |
| 034   | 090-06410-20  | CRANK CASE GASKET            | 1      |            |     |
| 036   | 994-61050-184 | HEX. HOLE BOLT 5X18/S        | 3      |            |     |
| 051   | 155-20550-81  | MAGNETO ROTOR COMP.          | 1      |            |     |
| 052   | 992-01080-011 | WASHER 8                     | 1      |            |     |
| 054   | 991-01080-011 | HEX. NUT 8                   | 1      |            |     |
|       |               | B43-03 ENGINE-01             |        |            |     |
| 040   | 403-0631A-20  | INLET MANIFOLD GASKET        | 1      |            |     |
| 041   | 404-0099F-90  | CARB INSULATOR SET           | 1      |            |     |
| 042   | 402-0602K-21  | CARBURETOR GASKET            | 1      |            |     |
| 047   | 994-64050-224 | HEX.HOLE BOLT 5X22/WS        | 2      |            |     |
| 055   | 994-14050-601 | SCREW 5X60/S                 | 2      |            |     |
| 056   | 992-01050-011 | WASHER 5                     | 2      |            |     |
| 059   | 223-07000-90  | SHEELD TUBE                  | 1      |            |     |
| 060   | 680-00731-20  | CLIP, 6.3 DIA.               | 1      |            |     |
| 061   | 675-04042-80  | PUMP FILTER BODY COMP.       | 1      |            |     |
| 062   | 591-07137-21  | TANK                         | 1      |            |     |
| 063   | 595-01690-90  | TANK CAP ASS'Y (BLACK)       | 1      |            |     |
| 064   | 659-00801-20  | COLLAR 5.8                   | 3      |            |     |
| 065   | 455-07139-90  | CARBURETOR SET WYL182        | 1      |            |     |
| 066   | 560-07120-20  | SWIVEL CAP                   | 1      |            |     |
| 067   | 994-63050-164 | HEX.HOLE BOLT 5X16/PS        | 2      |            |     |
| 068   | 994-65050-205 | SCREW 5X20WS                 | 1      |            |     |
| 073   | 626-32550-20  | TANK CAP CHAIN               | 1      |            |     |
| 078   | 700-03005-08  | FUEL PIPE 3X5X85             | 1      |            |     |
| 079   | 534-32710-20  | RETURN GROMMET               | 1      |            |     |
|       |               | B43-04 ENGINE-02             |        |            |     |
| 001   | 738-07162-20  | MUFFLER PROTECTOR BLACK      | 1      |            |     |
| 002   | 994-15040-151 | SCREW 4X15PS                 | 1      |            |     |
| 004   | 990-73045-124 | TAPPING SCREW 4.5X12         | 1      |            |     |
| 005   | 990-51050-503 | HEX. HOLE BOLT 5X50          | 2      |            |     |
| 006   | 992-01050-061 | WASHER 5                     | 2      |            |     |
| 007   | 704-07001-90  | MUFFLER SET                  | 1      |            |     |
| 016   | 737-07000-20  | MUFFLER GASKET               | 1      |            |     |
| 017   | 133-06540-20  | HEAT SHIELD                  | 1      |            |     |
| 031   | 359-02103-20  | CLUTCH WASHER B              | 2      |            |     |

|     |               |                           |   |
|-----|---------------|---------------------------|---|
| 032 | 290-06410-80  | CLUTCH SHOE COMP., T-16   | 2 |
| 033 | 342-06410-20  | CLUTCH SPRING             | 1 |
| 034 | 348-0630A-20  | CLUTCH PLATE A 0.5        | 2 |
| 035 | 357-00601-20  | STEP BOLT                 | 2 |
| 036 | 994-64050-184 | HEX. HOLE BOLT 5X18/WS    | 2 |
| 038 | 992-05080-030 | BENT WASHER 8             | 2 |
| 045 | 994-64050-304 | HEX. HOLE BOLT 5X30/WS    | 1 |
| 063 | 198-11600-80  | CORD CLAMP COMP.          | 1 |
|     |               | B43-05 RECOIL STRATER     |   |
| 000 | 762-07130-91  | RECOIL STARTER BODY ASS'Y | 1 |
| 001 | 785-07085-20  | STARTER HANDLE            | 1 |
| 003 | 772-07130-81  | RECOIL STARTER BODY COMP. | 1 |
| 004 | 783-07130-20  | ROPE 2. 6X830             | 1 |
| 005 | 780-07130-20  | RECOIL SPRING             | 1 |
| 006 | 778-07130-90  | SPRING CASE ASS'Y         | 1 |
| 007 | 774-07130-20  | STARTER ROPE REEL         | 1 |
| 008 | 182-07085-20  | SPECIAL WASHER 5. 2X15    | 1 |
| 009 | 990-72050-144 | TAPPING SCREW 5X14        | 1 |
| 016 | 994-64040-185 | HEX. HOLE BOLT 4X18WS     | 4 |
| 020 | 798-07085-90  | STARTER PULLEY ASS'Y      | 1 |
| 021 | 991-82050-001 | FLUNGE NUT 5              | 1 |
|     |               | B43-06 AIR CLEANER        |   |
| 000 | 410-07142-91  | CLEANER ASSY              | 1 |
| 001 | 452-00070-92  | CLEANER COVER SET         | 1 |
| 002 | 421-00070-20  | AIRCLEANER ELEMENT        | 1 |
| 003 | 380-0637C-20  | SPECIAL SCREW             | 1 |
| 004 | 423-00070-81  | CLEANER BODY COMP.        | 1 |
| 006 | 528-07143-80  | CHOKE VALVE COMP.         | 1 |
| 007 | 992-04080-031 | WAVE WASHER 8             | 1 |
| 008 | 657-3252A-20  | COLLAR 8                  | 1 |
|     |               | B43-07 CARBURETOR         |   |
| 002 | 575-25153-80  | PUMP BODY COMP            | 1 |
| 003 | 442-25151-80  | PRIMING PUMP COMP.        | 1 |
| 004 | 476-25151-20  | DIAPHRAGM COVER           | 1 |
| 005 | 447-25108-20  | PRIMING BODY              | 1 |
| 006 | 474-25241-80  | METERING DIAPHRAGM COMP.  | 1 |
| 007 | 475-25153-20  | DIAPHRAGM GASKET          | 1 |
| 008 | 576-25100-20  | PUMP DIAPHRAGM            | 1 |
| 009 | 577-25100-20  | PUMP GASKET               | 1 |
| 010 | 599-2000W-38  | MAIN JET #38              | 1 |
| 011 | 550-25100-20  | O-RING                    | 1 |
| 012 | 489-25100-20  | STOP RING                 | 1 |
| 013 | 539-25120-20  | SWIVEL                    | 1 |
| 015 | 548-25140-20  | THROTTLE SET SCREW        | 2 |
| 020 | 548-25151-20  | SET SCREW                 | 4 |
| 201 | 578-25007-20  | INLET SCREEN              | 1 |
|     |               | B43-08 FAN CASE           |   |
| 001 | 289-07060-80  | CLUTCH SHAFT COMP.        | 1 |
| 003 | 993-50012-002 | STOP RING C-12, OUTER     | 1 |
| 005 | 599-07120-21  | ANTI-VIBE RUBBER          | 1 |
| 006 | 990-51050-163 | HEX. HOLE BOLT 5X16       | 1 |
| 008 | 994-61050-254 | HEX. HOLE BOLT 5X25/S     | 1 |
| 011 | 112-07124-80  | FAN CASE COMP. OR         | 1 |
| 015 | 360-00996-20  | PIPE HOLDER, 24 DIA.      | 1 |
| 026 | 992-01050-061 | WASHER 5                  | 1 |
| 027 | 324-37350-20  | GEAR CASE WASHER          | 1 |
| 028 | 361-00990-20  | METAL FITTING             | 1 |
|     |               | B43-09 OPERATION PIPE     |   |
| 001 | 343-38360-20  | DRIVE SHAFT 1480L         | 1 |
| 002 | 341-37623-82  | DRIVE SHAFT PIPE COMP.    | 1 |
| 003 | 347-37300-90  | BUSHING ASS'Y             | 5 |

|        |               |                                |   |   |           |
|--------|---------------|--------------------------------|---|---|-----------|
| 016    | 334-38360-20  | HANGER COLLAR                  | 1 |   |           |
| 017    | 335-38360-80  | HANGER                         | 1 |   |           |
| 018    | 337-38360-80  | HANGER FIXING BRACKET          | 1 |   |           |
| 019    | 994-16050-252 | SCREW 5X25WS                   | 1 |   |           |
| 063    | 165-37590-20  | HANDLE GRIP                    | 1 |   |           |
| 064    | 994-61050-254 | HEX. HOLE BOLT 5X25/S          | 4 |   |           |
| 066    | 506-37623-20  | HANDLE BRACKET A               | 1 |   |           |
| 067    | 507-37623-20  | HANDLE BRACKET B               | 1 |   |           |
| 068    | 510-37304-20  | HANDLE BRACKET RUBBER          | 1 |   |           |
| 069    | 508-37623-20  | HANDLE BRACKET C               | 1 |   |           |
| 071    | 994-81060-254 | HEX. HOLE BUTTON SCREW 6X25S   | 2 |   |           |
| 074    | 460-33111-20  | CLAMP B.                       | 3 |   |           |
| 075    | 502-37415-21  | LEFT HANDLE                    | 1 |   |           |
| 084    | 164-07082-50  | PROTECTION 7X825L              | 1 |   |           |
| 091    | 746-37455-91  | SHOULDER BELT ASS'Y, CR/DOUBLE | 1 |   |           |
| 092    | 501-37822-20  | RIGHT HANDLE                   | 1 |   |           |
| 095    | 870-38445-90  | THROTTLE LEVER ASS'Y           | 1 |   |           |
| 098    | 253-38400-20  | SAFETY LEVER                   | 1 |   |           |
| 100    | 832-38400-20  | RETURN SPRING                  | 1 |   |           |
| 101    | 880-38401-20  | THROTTLE LEVER                 | 1 |   |           |
| 103    | 322-38400-20  | BLIND PLUG                     | 1 |   |           |
| 106    | 993-46040-202 | SCREW 4X20, BLACK              | 2 |   |           |
| 107    | 994-31050-303 | SCREW 5X30, BLACK              | 1 |   |           |
| 108    | 991-01050-043 | CONTAL NUT 5                   | 1 |   |           |
| 110    | 156-37822-80  | STOP BUTTON COMP.              | 1 |   |           |
| 120    | 887-38445-80  | THROTTLE WIRE                  | 1 |   |           |
| 125    | 885-38445-80  | THROTTLE WIRE COMP.            | 1 |   |           |
|        |               | B43-10 GEAR CASE/SAFETY GUARD  |   |   |           |
| 001    | 300-38360-91  | GEAR CASE ASS'Y 24             | 1 |   |           |
| 002    | 994-61050-254 | HEX. HOLE BOLT 5X25/S          | 1 |   |           |
| 004    | 993-51024-002 | STOP RING C-24, INNER          | 1 |   |           |
| 005    | 993-50009-002 | STOP RING C-9, OUTER           | 1 |   |           |
| 006    | 999-61609-002 | BALL BEARING 609Z ST           | 1 |   |           |
| 009    | 300-38360-21  | GEAR CASE 24                   | 1 |   |           |
| 011    | 994-16050-121 | SCREW 5X12/W. S                | 1 |   |           |
| 012    | 316-38150-20  | OILING BOLT                    | 1 |   |           |
| 013    | 999-61626-000 | BALL BEARING 626 , 19MM/OD     | 1 |   |           |
| 015    | 304-38360-20  | GEAR SHAFT                     | 1 |   |           |
| 016    | 999-61600-003 | BALL BEARING 6000D, 26MM/OD    | 1 |   |           |
| 017    | 993-51026-002 | STOP RING C-26, INNER          | 1 |   |           |
| 018    | 310-38360-20  | CUTTER HOLDER                  | 1 |   |           |
| 019    | 311-38360-20  | CUTTER HOLDER CAP              | 1 |   |           |
| 020    | 308-38360-20  | PROTECTION COVER               | 1 |   |           |
| 022    | 313-38360-20  | FIXING NUT L/H                 | 1 |   |           |
| 026    | 994-81060-254 | HEX. HOLE BUTTON SCREW 6X25S   | 2 |   |           |
| 028    | 442-38455-20  | COVER BRACKET 24               | 1 | - | E979999   |
| 028    | 442-38470-20  | COVER BRACKET                  | 1 |   | E070001 - |
| 029, 1 | 441-37380-21  | BLADE GUARD 26 CE              | 1 | - | E979999   |
| 029    | 441-38505-20  | BLADE GUARD 24CE               | 1 |   | E070001 - |
| 030    | 445-37380-20  | SAFETY COVER HOLDER            | 1 |   |           |
| 031, 1 | 447-37380-20  | COVER GUARD                    | 1 | - | E979999   |
| 031    | 447-38455-20  | COVER GUARD                    | 1 |   | E070001 - |
| 032, 1 | 797-37380-21  | KNIFE                          | 1 | - | E979999   |
| 032    | 797-37714-20  | KNIFE                          | 1 |   | E070001 - |
| 034, 1 | 994-14050-121 | SCREW 5X12/S                   | 1 | - | E979999   |
| 034    | 993-48040-142 | TAPPING SCREW 4X14P            | 1 |   | E070001 - |
| 035    | 301-38360-00  | GEAR/PINION SET                | 1 |   |           |
| 036    | 991-01050-011 | HEX. NUT 5                     | 1 |   |           |
| 037    | 444-37609-20  | BRACKET SPACER                 | 1 | - | E979999   |
| 038    | 993-17052-002 | TAPPING SCREW 5X20             | 1 |   | E070001 - |
| 039    | 797-38331-20  | KNIFN                          | 1 |   | E070001 - |

|     |               |                               |   |
|-----|---------------|-------------------------------|---|
| 045 | 303-38360-20  | GEAR CASE COVER               | 1 |
| 046 | 994-16050-121 | SCREW 5X12/W. S               | 1 |
|     |               | B43-11 TOOLS                  |   |
| 000 | 783-38454-90  | NYLON HEAD ASSY Z5            | 1 |
| 001 | 813-29014-60  | HEX. WRENCH 4                 | 1 |
| 002 | 786-38454-20  | CUTTING BODY                  | 1 |
| 003 | 315-38454-20  | SPECIAL NUT                   | 1 |
| 004 | 793-38454-20  | REEL SPRING                   | 1 |
| 005 | 788-38454-20  | EYELET                        | 2 |
| 006 | 787-38454-20  | SPOOL                         | 1 |
| 008 | 789-38454-20  | CUTTING BODY CAP              | 1 |
| 010 | 802-37372-20  | CUTTING BLADE 4X230, TYPE M   | 1 |
| 030 | 541-37590-20  | PROTECTION GLASSES            | 1 |
| 031 | 829-20000-80  | COMBI BOX SPANNER 13X19 ,PLUS | 1 |
| 035 | 615-37224-20  | CUTTER COVER                  | 2 |
|     |               | H19-13 LABELS                 |   |
| 001 | 915-07182-21  | STARTER MARK                  | 1 |
| 002 | 929-07187-20  | SYMBOLMARK CG22EJ(S)          | 1 |
| 008 | 919-38515-20  | CAUTION MARK 9900RPM          | 1 |
|     |               | ===== END OF DATA =====       |   |

MPTAN MPC5

0

0

0 \*07

0 48499

0

0

0

0

0

0

0

0

0

0

0

0

0

0

0

0

0

0

0

0

0

0

0

0

0

0

0

0

0

0

0

0

0

0

0

0

0

0

0

0

0

0

0

0

0

0

0

0

0

0

0

0

0

0

0

0

0

0

0



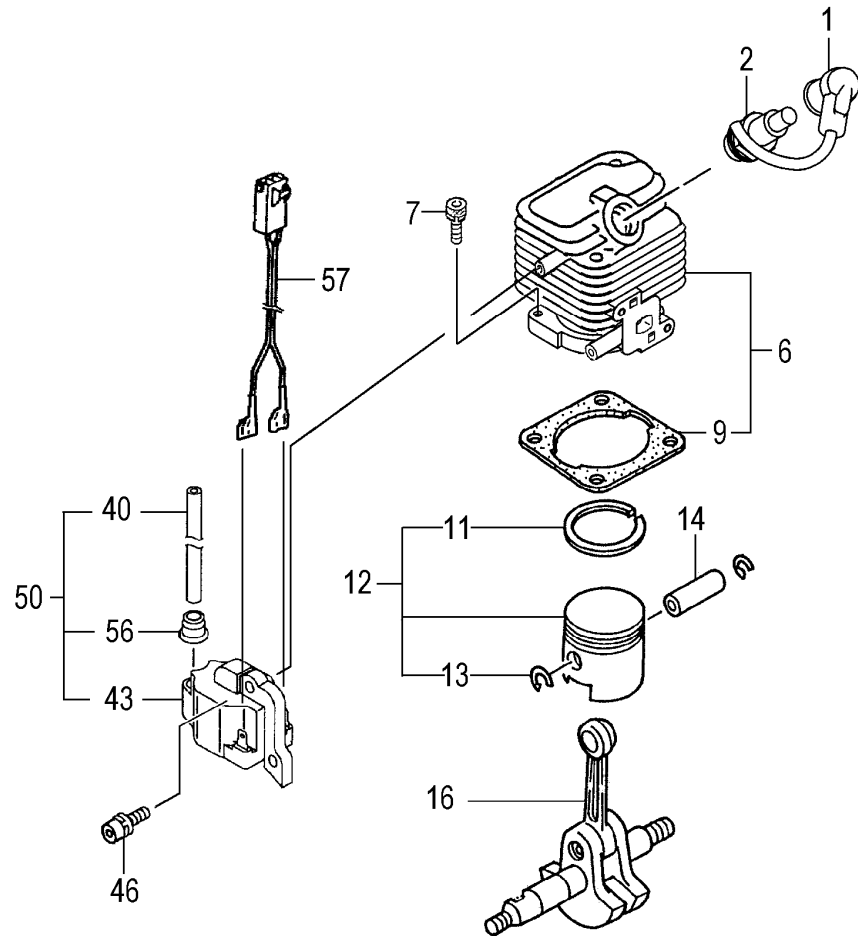




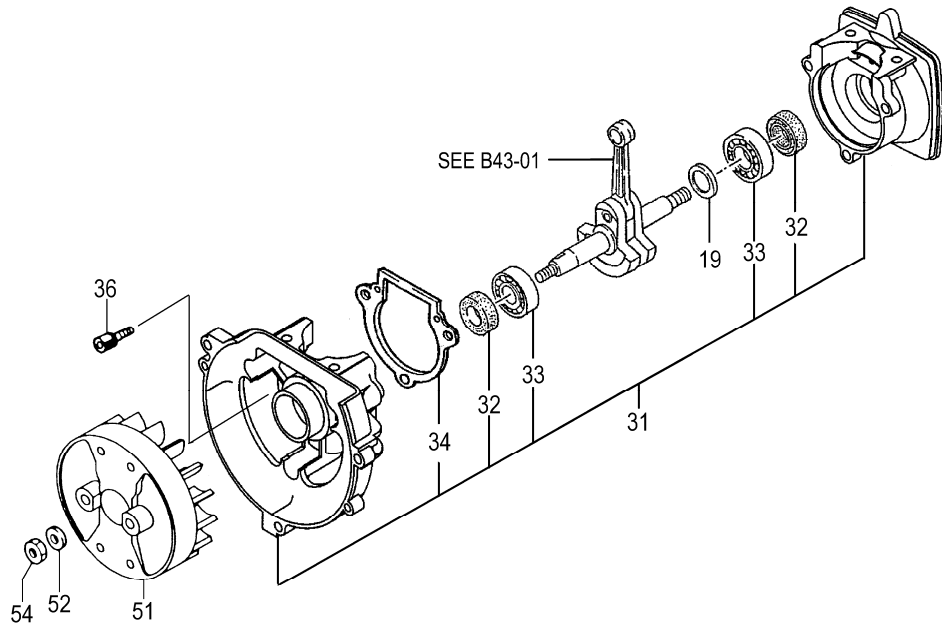
0  
0

**B43-01**

**CG22EJ(S) CYLINDER/PISTON/CRANK SHAFT**



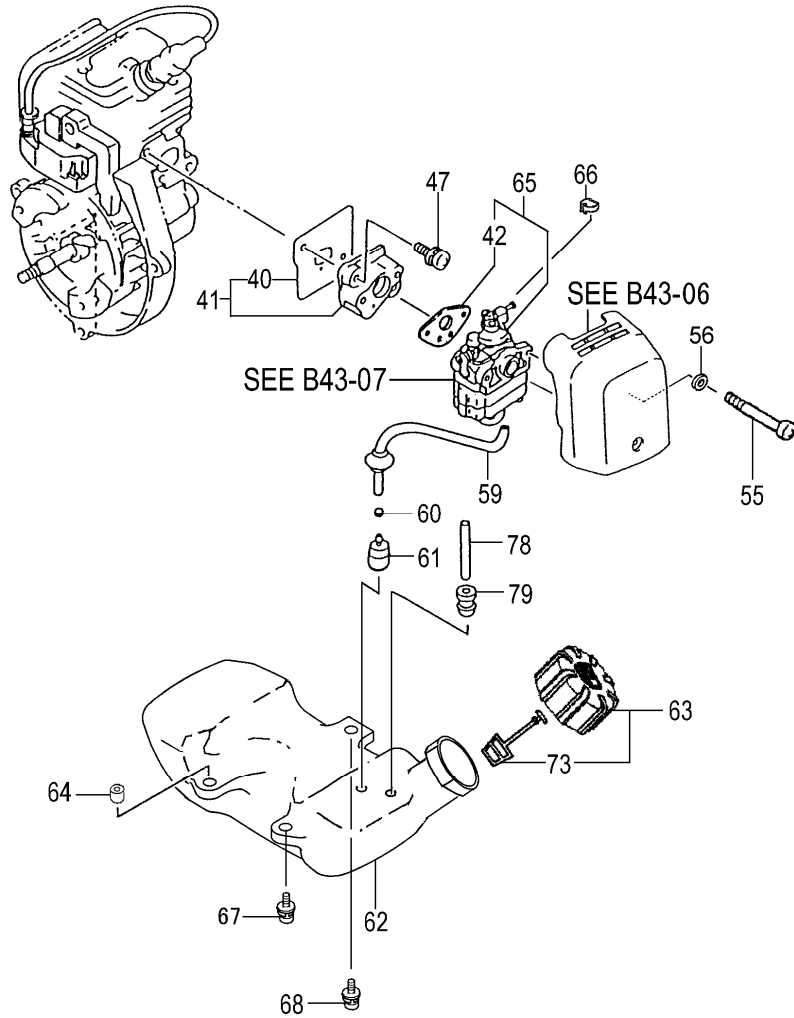
| REF. NUMBER | PARTS NUMBER  | DESCRIPTION            | Q'TY | SERIAL NUMBER |
|-------------|---------------|------------------------|------|---------------|
| 001         | 157-01570-90  | SPARK PLUG CAP ASS'Y   | 1    |               |
| 002         | 018-00555-20  | SPARK PLUG, RCJ8Y      | 1    |               |
| 006         | 001-07130-91  | CYLINDER SET           | 1    |               |
| 007         | 994-61050-184 | HEX. HOLE BOLT 5X18/S  | 2    |               |
| 009         | 017-00980-20  | CYLINDER GASKET        | 1    |               |
| 011         | 041-00601-21  | PISTON RING            | 1    |               |
| 012         | 030-00070-90  | PISTON SET             | 1    |               |
| 013         | 039-00601-20  | PISTON PIN CIRCLIP     | 2    |               |
| 014         | 037-06500-20  | PISTON PIN             | 1    |               |
| 016         | 046-07135-80  | CRANK SHAFT COMP.      | 1    |               |
| 040         | 178-20549-20  | HIGH TENSION CORD 140L | 1    |               |
| 043         | 167-20546-80  | IGNITION COIL COMP.    | 1    |               |
| 046         | 994-63040-154 | HEX.HOLE BOLT 4X15/PS  | 2    |               |
| 050         | 167-20546-91  | IGNITION COIL          | 1    |               |
| 056         | 560-20517-20  | RUBBER CAP             | 1    |               |
| 057         | 191-07025-90  | REED WIRE ASS'Y        | 1    |               |

**B43-02****CG22EJ(S) CRANK CASE**

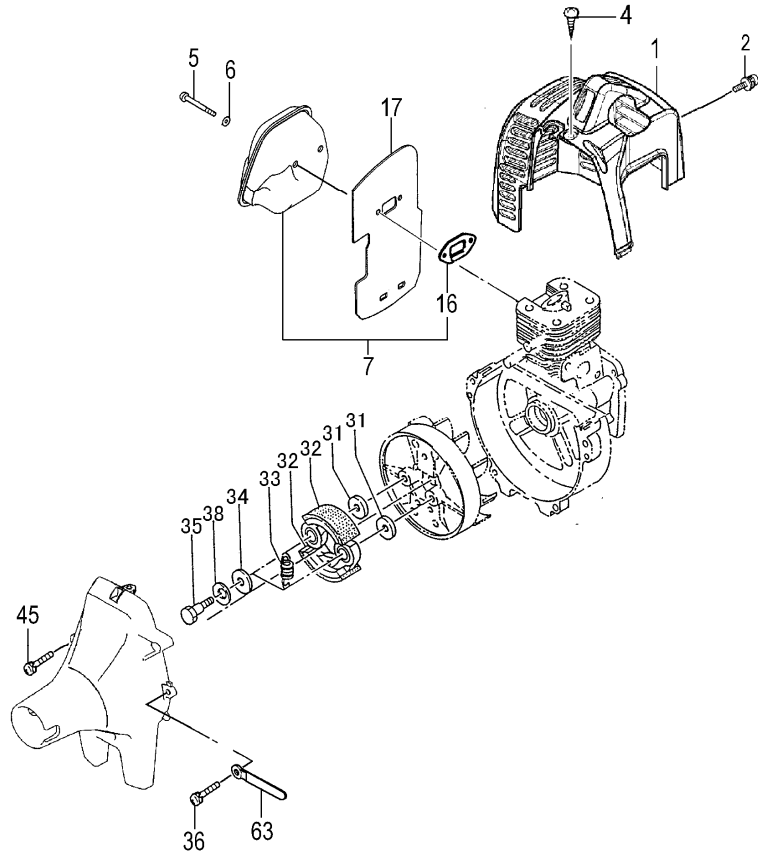
| REF. NUMBER | PARTS NUMBER  | DESCRIPTION           | Q'TY | SERIAL NUMBER |
|-------------|---------------|-----------------------|------|---------------|
| 019         | 330-00200-23  | GEAR SHAFT SHIM 0.20  | V    |               |
| 019         | 330-00200-24  | GEAR SHAFT SHIM 0.30  | V    |               |
| 020         | 798-07085-90  | STARTER PULLEY ASS'Y  | 1    |               |
| 031         | 072-07120-92  | CRANK CASE ASS'Y      | 1    |               |
| 032         | 999-66122-200 | OIL SEAL TB 12227     | 2    |               |
| 033         | 999-61600-115 | BALL BEARING 6001 C3  | 2    |               |
| 034         | 090-06410-20  | CRANK CASE GASKET     | 1    |               |
| 036         | 994-61050-184 | HEX. HOLE BOLT 5X18/S | 3    |               |
| 051         | 155-20550-81  | MAGNETO ROTOR COMP.   | 1    |               |
| 052         | 992-01080-011 | WASHER 8              | 1    |               |
| 054         | 991-01080-011 | HEX. NUT 8            | 1    |               |

**B43-03**

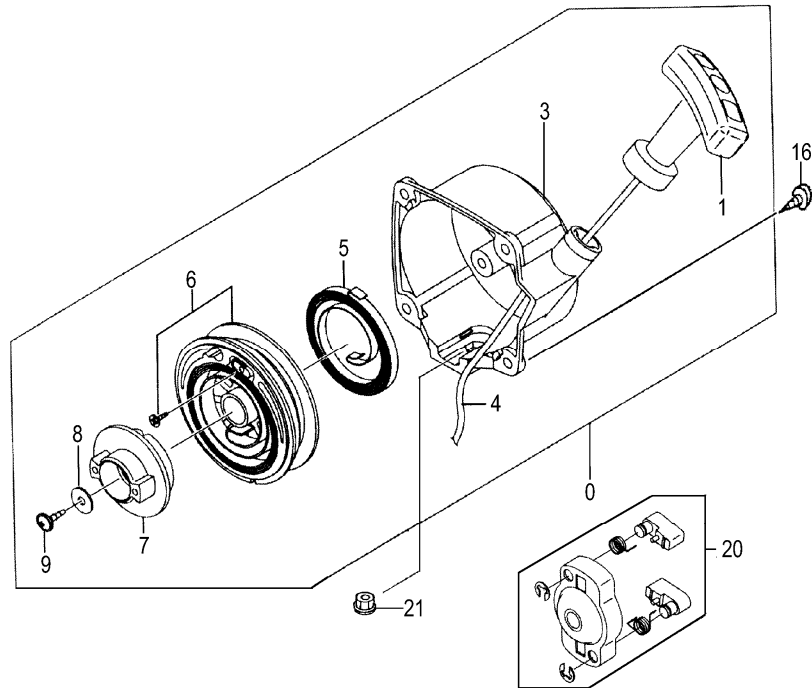
**CG22EJ(S) ENGINE-1**



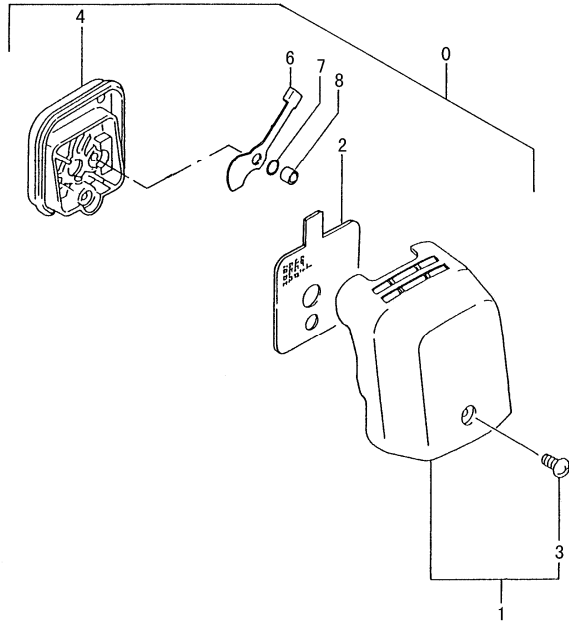
| REF. NUMBER | PARTS NUMBER  | DESCRIPTION            | Q'TY | SERIAL NUMBER |
|-------------|---------------|------------------------|------|---------------|
| 040         | 403-0631A-20  | INLET MANIFOLD GASKET  | 1    |               |
| 041         | 404-0099F-90  | CARB INSULATOR SET     | 1    |               |
| 042         | 402-0602K-21  | CARBURETOR GASKET      | 1    |               |
| 047         | 994-64050-224 | HEX.HOLE BOLT 5X22/WS  | 2    |               |
| 055         | 994-14050-601 | SCREW 5X60/S           | 2    |               |
| 056         | 992-01050-011 | WASHER 5               | 2    |               |
| 059         | 223-07000-90  | SHEILD TUBE            | 1    |               |
| 060         | 680-00731-20  | CLIP, 6.3 DIA.         | 1    |               |
| 061         | 675-04042-80  | PUMP FILTER BODY COMP  | 1    |               |
| 062         | 591-07137-21  | TANK                   | 1    |               |
| 063         | 595-01690-90  | TANK CAP ASS'Y (BLACK) | 1    |               |
| 064         | 659-00801-20  | COLLAR 5.8             | 3    |               |
| 065         | 455-07139-90  | CARBURETOR SET WYL18   | 1    |               |
| 066         | 560-07120-20  | SWIVEL CAP             | 1    |               |
| 067         | 994-63050-164 | HEX.HOLE BOLT 5X16/PS  | 2    |               |
| 068         | 994-65050-205 | SCREW 5X20WS           | 1    |               |
| 073         | 626-32550-20  | TANK CAP CHAIN         | 1    |               |
| 078         | 700-03005-08  | FUEL PIPE 3X5X85       | 1    |               |
| 079         | 534-32710-20  | RETURN GROMMET         | 1    |               |

**B43-04****CG22EJ(S) ENGINE-2**

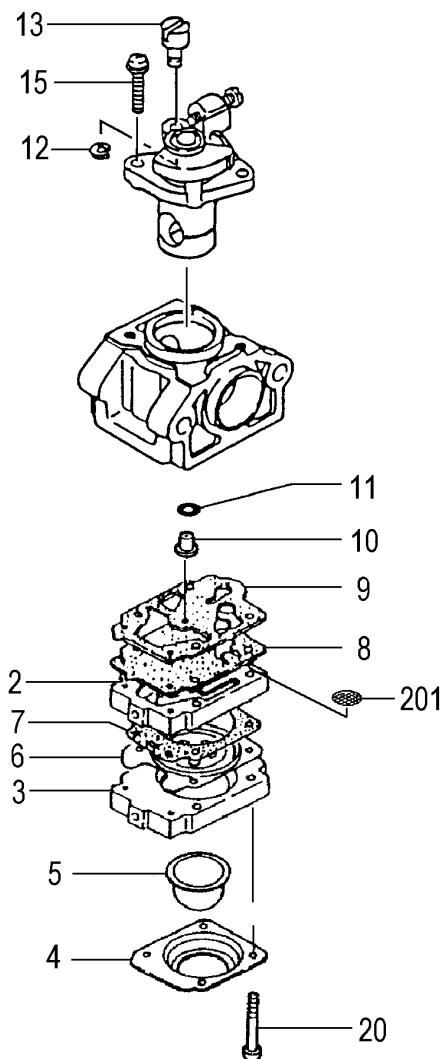
| REF. NUMBER | PARTS NUMBER  | DESCRIPTION            | Q'TY | SERIAL NUMBER |
|-------------|---------------|------------------------|------|---------------|
| 001         | 738-07162-20  | MUFFLER PROTECTOR BL   | 1    |               |
| 002         | 994-15040-151 | SCREW 4X15PS           | 1    |               |
| 004         | 990-73045-124 | TAPPING SCREW 4.5X12   | 1    |               |
| 005         | 990-51050-503 | HEX. HOLE BOLT 5X50    | 2    |               |
| 006         | 992-01050-061 | WASHER 5               | 2    |               |
| 007         | 704-07001-90  | MUFFLER SET            | 1    |               |
| 016         | 737-07000-20  | MUFFLER GASKET         | 1    |               |
| 017         | 133-06540-20  | HEAT SHIELD            | 1    |               |
| 031         | 359-02103-20  | CLUTCH WASHER B        | 2    |               |
| 032         | 290-06410-80  | CLUTCH SHOE COMP.,T-16 | 2    |               |
| 033         | 342-06410-20  | CLUTCH SPRING          | 1    |               |
| 034         | 348-0630A-20  | CLUTCH PLATE A 0.5     | 2    |               |
| 035         | 357-00601-20  | STEP BOLT              | 2    |               |
| 036         | 994-64050-184 | HEX.HOLE BOLT 5X18/WS  | 2    |               |
| 038         | 992-05080-030 | BENT WASHER 8          | 2    |               |
| 045         | 994-64050-304 | HEX.HOLE BOLT 5X30/WS  | 1    |               |
| 063         | 198-11600-80  | CORD CLAMP COMP.       | 1    |               |

**B43-05****CG22EJ(S) RECOIL STARTER**

| REF. NUMBER | PARTS NUMBER  | DESCRIPTION            | Q'TY | SERIAL NUMBER |
|-------------|---------------|------------------------|------|---------------|
| 000         | 762-07130-91  | RECOIL STARTER BODY AS | 1    |               |
| 001         | 785-07085-20  | STARTER HANDLE         | 1    |               |
| 003         | 772-07130-81  | RECOIL STARTER BODY C  | 1    |               |
| 004         | 783-07130-20  | ROPE 2.6X830           | 1    |               |
| 005         | 780-07130-20  | RECOIL SPRING          | 1    |               |
| 006         | 778-07130-90  | SPRING CASE ASS'Y      | 1    |               |
| 007         | 774-07130-20  | STARTER ROPE REEL      | 1    |               |
| 008         | 182-07085-20  | SPECIAL WASHER 5.2X15  | 1    |               |
| 009         | 990-72050-144 | TAPPING SCREW 5X14     | 1    |               |
| 016         | 994-64040-185 | HEX. HOLE BOLT 4X18WS  | 4    |               |
| 020         | 798-07085-90  | STARTER PULLEY ASS'Y   | 1    |               |
| 021         | 991-82050-001 | FLUNGE NUT 5           | 1    |               |

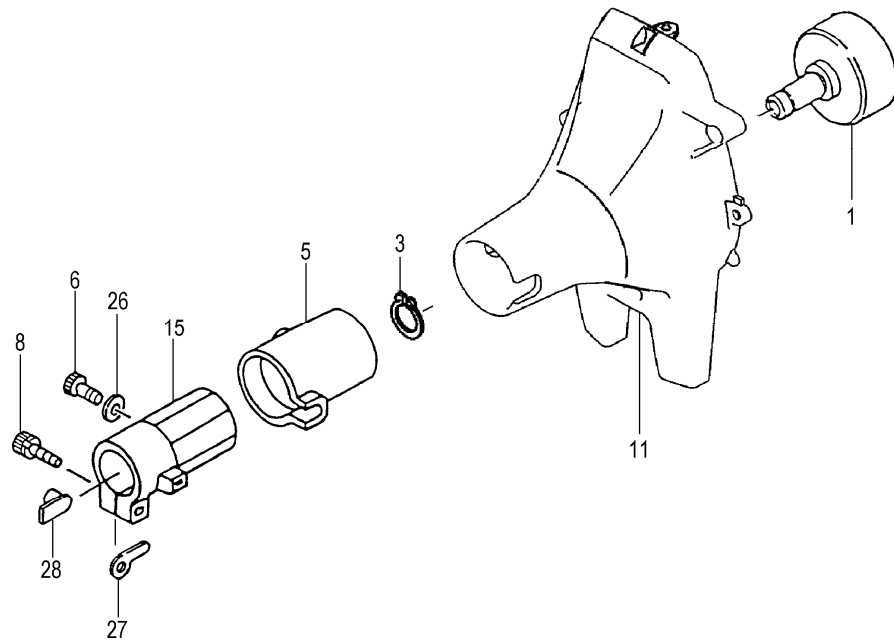
**B43-06****CG22EJ(S) AIR CLEANER**

| REF. NUMBER | PARTS NUMBER  | DESCRIPTION        | Q'TY | SERIAL NUMBER |
|-------------|---------------|--------------------|------|---------------|
| 000         | 410-07142-91  | CLEANER ASSY       | 1    |               |
| 001         | 452-00070-92  | CLEANER COVER SET  | 1    |               |
| 002         | 421-00070-20  | AIRCLEANER ELEMENT | 1    |               |
| 003         | 380-0637C-20  | SPECIAL SCREW      | 1    |               |
| 004         | 423-00070-81  | CLEANER BODY COMP. | 1    |               |
| 006         | 528-07143-80  | CHOKE VALVE COMP.  | 1    |               |
| 007         | 992-04080-031 | WAVE WASHER 8      | 1    |               |
| 008         | 657-3252A-20  | COLLAR 8           | 1    |               |

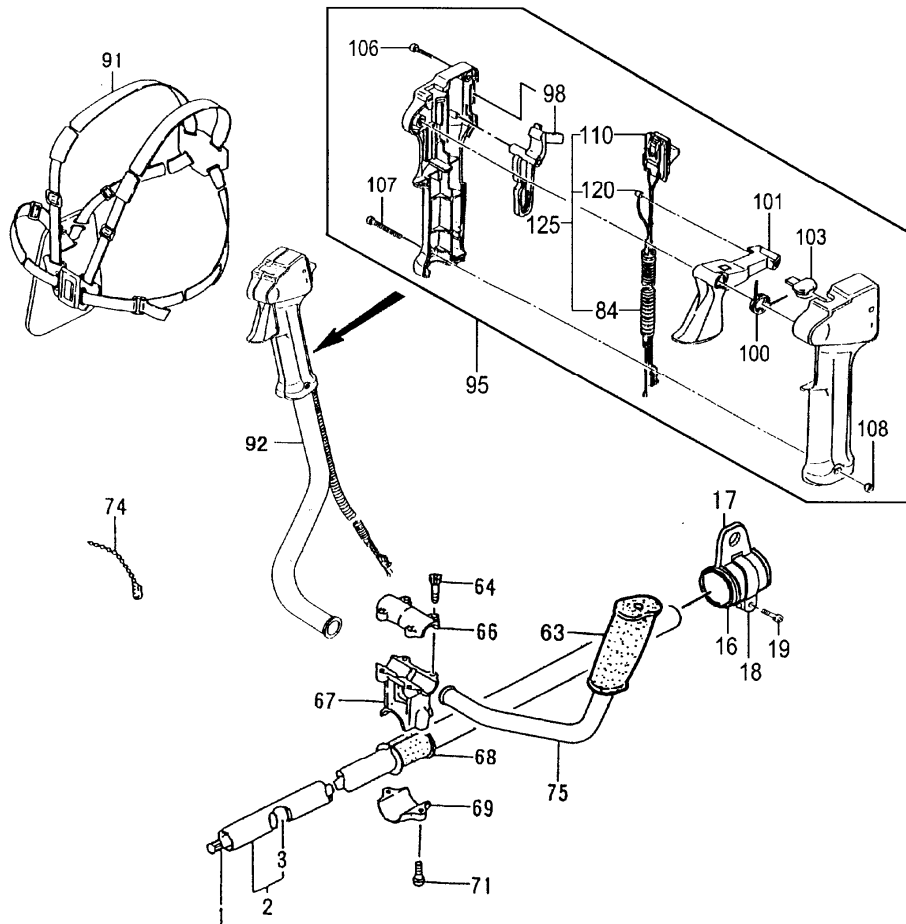
**B43-07****CG22EJ(S) CARBURETOR**

| REF. NUMBER | PARTS NUMBER | DESCRIPTION           | Q'TY | SERIAL NUMBER |
|-------------|--------------|-----------------------|------|---------------|
| 002         | 575-25153-80 | PUMP BODY COMP        | 1    |               |
| 003         | 442-25151-80 | PRIMING PUMP COMP.    | 1    |               |
| 004         | 476-25151-20 | DIAPHRAGM COVER       | 1    |               |
| 005         | 447-25108-20 | PRIMING BODY          | 1    |               |
| 006         | 474-25241-80 | METERING DIAPHRAGM CO | 1    |               |
| 007         | 475-25153-20 | DIAPHRAGM GASKET      | 1    |               |
| 008         | 576-25100-20 | PUMP DIAPHRAGM        | 1    |               |
| 009         | 577-25100-20 | PUMP GASKET           | 1    |               |
| 010         | 599-2000W-38 | MAIN JET #38          | 1    |               |
| 011         | 550-25100-20 | O-RING                | 1    |               |
| 012         | 489-25100-20 | STOP RING             | 1    |               |
| 013         | 539-25120-20 | SWIVEL                | 1    |               |
| 015         | 548-25140-20 | THROTTLE SET SCREW    | 2    |               |
| 020         | 548-25151-20 | SET SCREW             | 4    |               |
| 201         | 578-25007-20 | INLET SCREEN          | 1    |               |



**B43-08****CG22EJ(S) FAN CASE**

| REF. NUMBER | PARTS NUMBER  | DESCRIPTION           | Q'TY | SERIAL NUMBER |
|-------------|---------------|-----------------------|------|---------------|
| 001         | 289-07060-80  | CLUTCH SHAFT COMP.    | 1    |               |
| 003         | 993-50012-002 | STOP RING C-12, OUTER | 1    |               |
| 005         | 599-07120-21  | ANTI-VIBE RUBBER      | 1    |               |
| 006         | 990-51050-163 | HEX. HOLE BOLT 5X16   | 1    |               |
| 008         | 994-61050-254 | HEX. HOLE BOLT 5X25/S | 1    |               |
| 011         | 112-07124-80  | FAN CASE COMP. OR     | 1    |               |
| 015         | 360-00996-20  | PIPE HOLDER,24 DIA.   | 1    |               |
| 026         | 992-01050-061 | WASHER 5              | 1    |               |
| 027         | 324-37350-20  | GEAR CASE WASHER      | 1    |               |
| 028         | 361-00990-20  | METAL FITTING         | 1    |               |

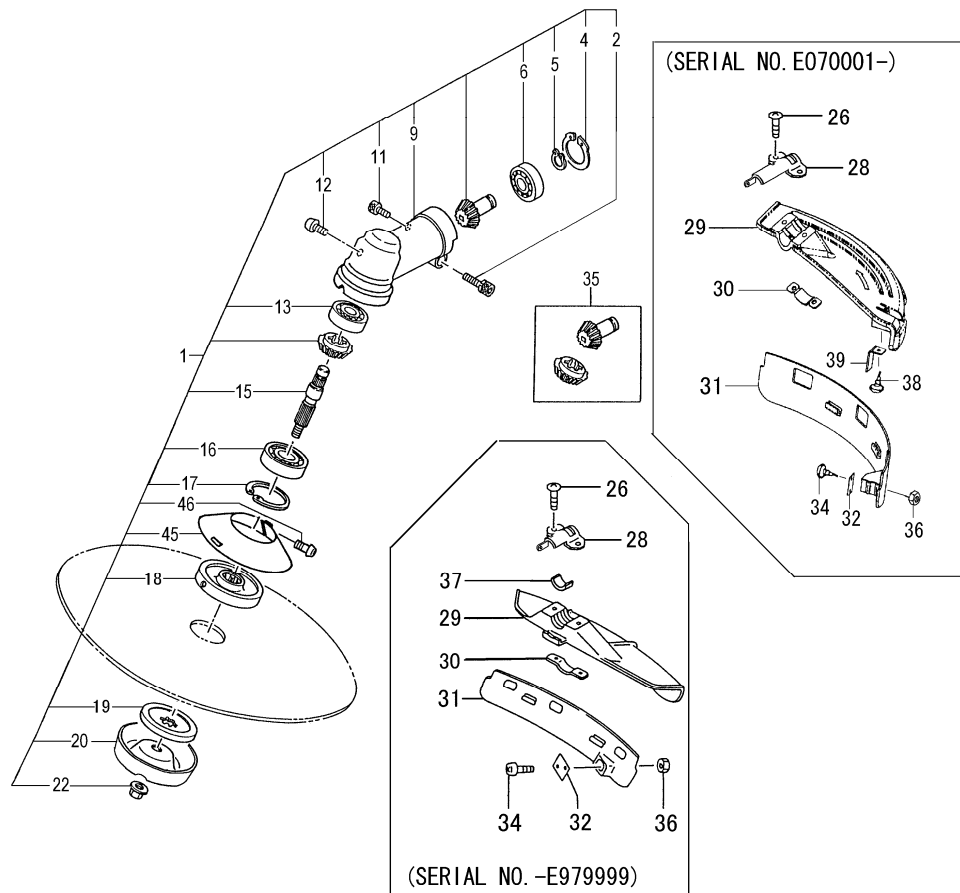
**B43-09****CG22EJ(S) OPERATION PIPE**

| REF. NUMBER | PARTS NUMBER  | DESCRIPTION            | Q'TY | SERIAL NUMBER |
|-------------|---------------|------------------------|------|---------------|
| 001         | 343-38360-20  | DRIVE SHAFT 1480L      | 1    |               |
| 002         | 341-37623-82  | DRIVE SHAFT PIPE COMP. | 1    |               |
| 003         | 347-37300-90  | BUSHING ASS'Y          | 5    |               |
| 016         | 334-38360-20  | HANGER COLLAR          | 1    |               |
| 017         | 335-38360-80  | HANGER                 | 1    |               |
| 018         | 337-38360-80  | HANGER FIXING BRACKET  | 1    |               |
| 019         | 994-16050-252 | SCREW 5X25WS           | 1    |               |
| 063         | 165-37590-20  | HANDLE GRIP            | 1    |               |
| 064         | 994-61050-254 | HEX. HOLE BOLT 5X25/S  | 4    |               |
| 066         | 506-37623-20  | HANDLE BRACKET A       | 1    |               |
| 067         | 507-37623-20  | HANDLE BRACKET B       | 1    |               |
| 068         | 510-37304-20  | HANDLE BRACKET RUBBER  | 1    |               |
| 069         | 508-37623-20  | HANDLE BRACKET C       | 1    |               |
| 071         | 994-81060-254 | HEX. HOLE BUTTON SCREW | 2    |               |
| 074         | 460-33111-20  | CLAMP B.               | 3    |               |
| 075         | 502-37415-21  | LEFT HANDLE            | 1    |               |
| 084         | 164-07082-50  | PROTECTION 7X825L      | 1    |               |
| 091         | 746-37455-91  | SHOULDER BELT ASS'Y,CF | 1    |               |
| 092         | 501-37822-20  | RIGHT HANDLE           | 1    |               |
| 095         | 870-38445-90  | THROTTLE LEVER ASS'Y   | 1    |               |
| 098         | 253-38400-20  | SAFETY LEVER           | 1    |               |
| 100         | 832-38400-20  | RETURN SPRING          | 1    |               |
| 101         | 880-38401-20  | THROTTLE LEVER         | 1    |               |
| 103         | 322-38400-20  | BLIND PLUG             | 1    |               |
| 106         | 993-46040-202 | SCREW 4X20, BLACK      | 2    |               |
| 107         | 994-31050-303 | SCREW 5X30, BLACK      | 1    |               |
| 108         | 991-01050-043 | CONICAL NUT 5          | 1    |               |
| 110         | 156-37822-80  | STOP BUTTON COMP.      | 1    |               |
| 120         | 887-38445-80  | THROTTLE WIRE          | 1    |               |
| 125         | 885-38445-80  | THROTTLE WIRE COMP.    | 1    |               |

**B43-10**

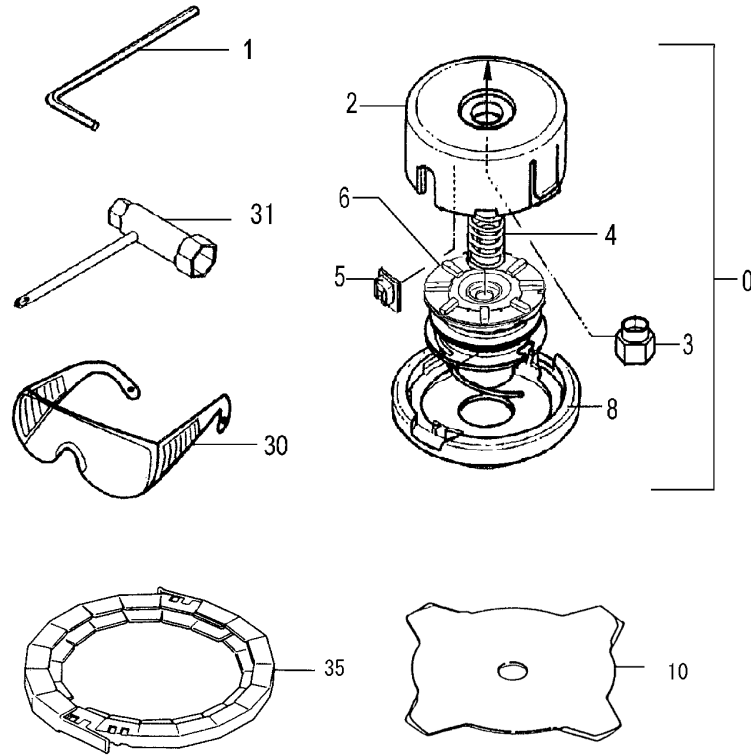
**CG22EJ(S) GEAR CASE**

| REF. NUMBER | PARTS NUMBER  | DESCRIPTION             | Q'TY | SERIAL NUMBER |
|-------------|---------------|-------------------------|------|---------------|
| 001         | 300-38360-91  | GEAR CASE ASS'Y 24      | 1    |               |
| 002         | 994-61050-254 | HEX. HOLE BOLT 5X25/S   | 1    |               |
| 004         | 993-51024-002 | STOP RING C-24, INNER   | 1    |               |
| 005         | 993-50009-002 | STOP RING C-9, OUTER    | 1    |               |
| 006         | 999-61609-002 | BALL BEARING 609Z ST    | 1    |               |
| 009         | 300-38360-21  | GEAR CASE 24            | 1    |               |
| 011         | 994-16050-121 | SCREW 5X12/W.S          | 1    |               |
| 012         | 316-38150-20  | OILING BOLT             | 1    |               |
| 013         | 999-61626-000 | BALL BEARING 626 , 19MM | 1    |               |
| 015         | 304-38360-20  | GEAR SHAFT              | 1    |               |
| 016         | 999-61600-003 | BALL BEARING 6000D, 26M | 1    |               |
| 017         | 993-51026-002 | STOP RING C-26, INNER   | 1    |               |
| 018         | 310-38360-20  | CUTTER HOLDER           | 1    |               |
| 019         | 311-38360-20  | CUTTER HOLDER CAP       | 1    |               |
| 020         | 308-38360-20  | PROTECTION COVER        | 1    |               |
| 022         | 313-38360-20  | FIXING NUT L/H          | 1    |               |
| 026         | 994-81060-254 | HEX. HOLE BUTTON SCREW  | 2    |               |
| 028         | 442-38455-20  | COVER BRACKET 24        | 1    | - E979999     |
| 028         | 442-38470-20  | COVER BRACKET           | 1    | EO70001 -     |
| 029,1       | 441-37380-21  | BLADE GUARD 26 CE       | 1    | - E979999     |
| 029         | 441-38505-20  | BLADE GUARD 24CE        | 1    | EO70001 -     |
| 030         | 445-37380-20  | SAFETY COVER HOLDER     | 1    |               |
| 031,1       | 447-37380-20  | COVER GUARD             | 1    | - E979999     |
| 031         | 447-38455-20  | COVER GUARD             | 1    | EO70001 -     |
| 032,1       | 797-37380-21  | KNIFE                   | 1    | - E979999     |
| 032         | 797-37714-20  | KNIFE                   | 1    | EO70001 -     |
| 034,1       | 994-14050-121 | SCREW 5X12/S            | 1    | - E979999     |
| 034         | 993-48040-142 | TAPPING SCREW 4X14P     | 1    | EO70001 -     |
| 035         | 301-38360-00  | GEAR/PINION SET         | 1    |               |
| 036         | 991-01050-011 | HEX. NUT 5              | 1    |               |
| 037         | 444-37609-20  | BRACKET SPACER          | 1    | - E979999     |
| 038         | 993-17052-002 | TAPPING SCREW 5X20      | 1    | EO70001 -     |
| 039         | 797-38331-20  | KNIFN                   | 1    | EO70001 -     |
| 045         | 303-38360-20  | GEAR CASE COVER         | 1    |               |
| 046         | 994-16050-121 | SCREW 5X12/W.S          | 1    |               |



**B43-11**

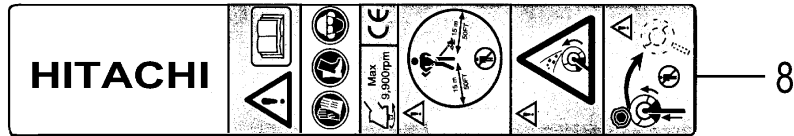
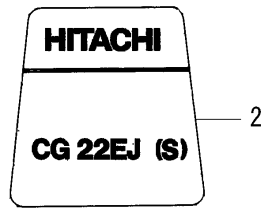
**CG22EJ(S) TOOLS**



| REF. NUMBER | PARTS NUMBER | DESCRIPTION              | Q'TY | SERIAL NUMBER |
|-------------|--------------|--------------------------|------|---------------|
| 000         | 783-38454-90 | NYLON HEAD ASSY Z5       | 1    |               |
| 001         | 813-29014-60 | HEX. WRENCH 4            | 1    |               |
| 002         | 786-38454-20 | CUTTING BODY             | 1    |               |
| 003         | 315-38454-20 | SPECIAL NUT              | 1    |               |
| 004         | 793-38454-20 | REEL SPRING              | 1    |               |
| 005         | 788-38454-20 | EYELET                   | 2    |               |
| 006         | 787-38454-20 | SPOOL                    | 1    |               |
| 008         | 789-38454-20 | CUTTING BODY CAP         | 1    |               |
| 010         | 802-37372-20 | CUTTING BLADE 4X230,TYPE | 1    |               |
| 030         | 541-37590-20 | PROTECTION GLASSES       | 1    |               |
| 031         | 829-20000-80 | COMBI BOX SPANNER 13X    | 1    |               |
| 035         | 615-37224-20 | CUTTER COVER             | 2    |               |

**B43-12**

**CG22EJ(S) LABELS**



| REF. NUMBER | PARTS NUMBER | DESCRIPTION          | Q'TY | SERIAL NUMBER |
|-------------|--------------|----------------------|------|---------------|
| 001         | 915-07182-21 | STARTER MARK         | 1    |               |
| 002         | 929-07187-20 | SYMBOLMARK CG22EJ(S) | 1    |               |
| 008         | 919-38515-20 | CAUTION MARK 9900RPM | 1    |               |