

**B47**

**CG22EJ(SLD)**

**Serial No.**

MPREF	MPHIN	MPNAM	MPQTY1	MPS:MPSRL2
		+++++++ MODEL:CG22EJLD ++++++		
		B47-01 CYLINDER/PISTON/CRANK		
001	157-01570-90	SPARK PLUG CAP ASS'Y	1	
002	018-00555-20	SPARK PLUG, RCJ8Y	1	
006	001-07130-91	CYLINDER SET	1	
007	994-61050-184	HEX. HOLE BOLT 5X18/S	2	
009	017-00980-20	CYLINDER GASKET	1	
011	041-00601-21	PISTON RING	1	
012	030-00070-90	PISTON SET	1	
013	039-00601-20	PISTON PIN CIRCLIP	2	
014	037-06500-20	PISTON PIN	1	
016	046-07135-80	CRANK SHAFT COMP.	1	
040	178-20549-20	HIGH TENSION CORD 140L	1	
043	167-20546-80	IGNITION COIL COMP.	1	
046	994-63040-154	HEX.HOLE BOLT 4X15/PS	2	
050	167-20546-91	IGNITION COIL	1	
056	560-20517-20	RUBBER CAP	1	
057	191-07025-90	REED WIRE ASS'Y	1	
		B47-02 CRANK CASE		
019	330-00200-23	GEAR SHAFT SHIM 0.20	V	
019	330-00200-24	GEAR SHAFT SHIM 0.30	V	
031	072-07120-92	CRANK CASE ASS'Y	1	
032	999-66122-200	OIL SEAL TB 12227	2	
033	999-61600-115	BALL BEARING 6001 C3	2	
034	090-06410-20	CRANK CASE GASKET	1	
036	994-61050-184	HEX. HOLE BOLT 5X18/S	3	
051	155-20550-81	MAGNETO ROTOR COMP.	1	
052	992-01080-011	WASHER 8	1	
054	991-01080-011	HEX. NUT 8	1	
		B47-03 ENGINE-01		
040	403-0631A-20	INLET MANIFOLD GASKET	1	
041	404-0099F-90	CARB INSULATOR SET	1	
042	402-0602K-21	CARBURETOR GASKET	1	
047	994-64050-224	HEX.HOLE BOLT 5X22/WS	2	
055	994-14050-601	SCREW 5X60/S	2	
056	992-01050-011	WASHER 5	2	
059	223-07000-90	SHEELD TUBE	1	
060	680-00731-20	CLIP, 6.3 DIA.	1	
061	675-04042-80	PUMP FILTER BODY COMP.	1	
062	591-07137-21	TANK	1	
063	595-01690-90	TANK CAP ASS'Y (BLACK)	1	
064	659-00801-20	COLLAR 5.8	3	
065	455-07139-90	CARBURETOR SET WYL182	1	
066	560-07120-20	SWIVEL CAP	1	
067	994-63050-164	HEX.HOLE BOLT 5X16/PS	2	
068	994-65050-205	SCREW 5X20WS	1	
073	626-32550-20	TANK CAP CHAIN	1	
078	700-03005-08	FUEL PIPE 3X5X85	1	
079	534-32710-20	RETURN GROMMET	1	
		B47-04 ENGINE-02		
001	738-07162-20	MUFFLER PROTECTOR BLACK	1	
002	994-15040-151	SCREW 4X15PS	1	
004	990-73045-124	TAPPING SCREW 4.5X12	1	
005	990-51050-503	HEX. HOLE BOLT 5X50	2	
006	992-01050-061	WASHER 5	2	
007	704-07001-90	MUFFLER SET	1	
016	737-07000-20	MUFFLER GASKET	1	
017	133-06540-20	HEAT SHIELD	1	
031	359-02103-20	CLUTCH WASHER B	2	
032	290-06410-80	CLUTCH SHOE COMP. , T-16	2	

033	342-06410-20	CLUTCH SPRING	1
034	348-0630A-20	CLUTCH PLATE A 0.5	2
035	357-00601-20	STEP BOLT	2
036	994-64050-184	HEX. HOLE BOLT 5X18/WS	2
038	992-05080-030	BENT WASHER 8	2
045	994-64050-304	HEX. HOLE BOLT 5X30/WS	1
		B47-05 RECOIL STRATER	
000	762-07130-91	RECOIL STARTER BODY ASS' Y	1
001	785-07085-20	STARTER HANDLE	1
003	772-07130-81	RECOIL STARTER BODY COMP.	1
004	783-07130-20	ROPE 2. 6X830	1
005	780-07130-20	RECOIL SPRING	1
006	778-07130-90	SPRING CASE ASS' Y	1
007	774-07130-20	STARTER ROPE REEL	1
008	182-07085-20	SPECIAL WASHER 5. 2X15	1
009	990-72050-144	TAPPING SCREW 5X14	1
016	994-64040-185	HEX. HOLE BOLT 4X18WS	4
020	798-07085-90	STARTER PULLEY ASS' Y	1
021	991-82050-001	FLUNGE NUT 5	1
		B47-06 AIR CLEANER	
000	410-07142-91	CLEANER ASSY	1
001	452-00070-92	CLEANER COVER SET	1
002	421-00070-20	AIRCLEANER ELEMENT	1
003	380-0637C-20	SPECIAL SCREW	1
004	423-00070-81	CLEANER BODY COMP.	1
006	528-07143-80	CHOKE VALVE COMP.	1
007	992-04080-031	WAVE WASHER 8	1
008	657-3252A-20	COLLAR 8	1
		B47-07 CARBURETOR	
002	575-25153-80	PUMP BODY COMP	1
003	442-25151-80	PRIMING PUMP COMP.	1
004	476-25151-20	DIAPHRAGM COVER	1
005	447-25108-20	PRIMING BODY	1
006	474-25241-80	METERING DIAPHRAGM COMP.	1
007	475-25153-20	DIAPHRAGM GASKET	1
008	576-25100-20	PUMP DIAPHRAGM	1
009	577-25100-20	PUMP GASKET	1
010	599-2000W-38	MAIN JET #38	1
011	550-25100-20	O-RING	1
012	489-25100-20	STOP RING	1
013	539-25120-20	SWIVEL	1
015	548-25140-20	THROTTLE SET SCREW	2
020	548-25151-20	SET SCREW	4
201	578-25007-20	INLET SCREEN	1
		B47-08 FAN CASE	
001	289-07060-80	CLUTCH SHAFT COMP.	1
003	993-50012-002	STOP RING C-12, OUTER	1
005	599-07120-21	ANTI-VIBE RUBBER	1
006	990-51050-163	HEX. HOLE BOLT 5X16	1
008	994-61050-254	HEX. HOLE BOLT 5X25/S	1
011	112-07124-80	FAN CASE COMP. OR	1
015	360-00996-20	PIPE HOLDER, 24 DIA.	1
026	992-01050-061	WASHER 5	1
027	324-37350-20	GEAR CASE WASHER	1
028	361-00990-20	METAL FITTING	1
		B47-9 OPERATION PIPE	
001	035-38466-80	DRIVE SHAFT A	1
002	341-32237-80	DRIVE SHAFT PIPE COMP 742L	1
003	347-38360-90	BUSH ASS' Y	3
020	280-38466-90	JOINT CASE ASSY	1
021	320-33318-20	SPACER 1.6	1

022	360-33315-20	SPACER	1	
023	801-10205-20	PULLEY WASHER	1	
024	993-50010-002	STOP RING C-10, OUTER	1	
025	871-32600-20	SPECIAL WASHER B	1	
026	512-3338P-20	HANDLE KNOB	1	
027	990-21060-504	HEX. BOLT 6X50	1	
028	990-53060-353	HEX. HOLE BOLT 6X35	1	
029	992-10060-062	S. WASHER 6	1	
030	992-00060-061	SMALL WASHER 6 BLACK	1	
031	991-42060-012	CAP NUT 6	1	
032	990-51050-123	HEX. HOLE BOLT 5X12	1	
033	341-38466-80	DRIVE SHAFT PIPE 742L	1	
034	347-38360-90	BUSH ASS'Y	3	
035	036-38190-20	DRIVE SHAFT B 783L	1	
036	347-38466-20	BUSH	1	
040	992-10050-062	S. WASHER 5	1	
		B4-10 OPERATION PIPE		
004	991-01060-041	HEX. NUT 6	2	
005	500-37300-20	HANDLE	1	
006	520-37277-20	BARRIER, 24 DIA., BLACK	1	
008	994-23060-432	BOLT 6X43/P	2	
016	334-38360-20	HANGER COLLAR	1	
017	335-38360-80	HANGER	1	
018	337-38360-80	HANGER FIXING BRACKET	1	
019	994-16050-252	SCREW 5X25WS	1	
025	870-38449-90	THROTTLE LEVER ASS'Y	1	
050	746-3738F-90	SHOULDER BELT ASS'Y, SINGLE	1	
083	885-38449-80	THROTTLE WIRE COMP.	1	
084	887-38449-80	THROTTLE WIRE 4T	1	
085	156-37821-80	STOP BUTTON COMP.	1	
086	164-07014-50	PROTECTION TUBE 7X145L	1	
098	253-38400-20	SAFETY LEVER	1	
100	832-38400-20	RETURN SPRING	1	
103	322-38400-20	BLIND PLUG	1	
110	994-31050-203	SCREW 5X20	2	
111	991-01050-043	CONTAL NUT 5	2	
112	993-46040-202	SCREW 4X20, BLACK	4	
125	880-38400-20	THROTTLE LEVER	1	
		B47-11 GEAR CASE/SAFETY GUARD		
001	300-38360-91	GEAR CASE ASS'Y 24	1	
002	994-61050-254	HEX. HOLE BOLT 5X25/S	1	
004	993-51024-002	STOP RING C-24, INNER	1	
005	993-50009-002	STOP RING C-9, OUTER	1	
006	999-61609-002	BALL BEARING 609Z ST	1	
009	300-38360-21	GEAR CASE 24	1	
011	994-16050-121	SCREW 5X12/W. S	1	
012	316-38150-20	OILING BOLT	1	
013	999-61626-000	BALL BEARING 626 , 19MM/OD	1	
015	304-38360-20	GEAR SHAFT	1	
016	999-61600-003	BALL BEARING 6000D, 26MM/OD	1	
017	993-51026-002	STOP RING C-26, INNER	1	
018	310-38360-20	CUTTER HOLDER	1	
019	311-38360-20	CUTTER HOLDER CAP	1	
020	308-38360-20	PROTECTION COVER	1	
022	313-38360-20	FIXING NUT L/H	1	
026	994-81060-254	HEX. HOLE BUTTON SCREW 6X25S	2	
028	442-38455-20	COVER BRACKET 24	1	- E979999
028	442-38470-20	COVER BRACKET	1	E070001
029, 1	441-37380-21	BLADE GUARD 26 CE	1	- E979999
029	441-38505-20	BLADE GUARD 24CE	1	E070001
030	445-37380-20	SAFETY COVER HOLDER	1	

031, 1	447-37380-20	COVER GUARD	1	-	E979999
031	447-38455-20	COVER GUARD	1		E070001
032, 1	797-37380-21	KNIFE	1	-	E979999
032	797-37714-20	KNIFE	1		E070001
034, 1	994-14050-121	SCREW 5X12/S	1	-	E979999
034	993-48040-142	TAPPING SCREW 4X14P	1		E070001
035	301-38360-00	GEAR/PINION SET	1		
036	991-01050-011	HEX. NUT 5	1		
037	444-37609-20	BRACKET SPACER	1	-	E979999
038	993-17052-002	TAPPING SCREW 5X20	1		E070001
039	797-38331-20	KNIFN	1		E070001
045	303-38360-20	GEAR CASE COVER	1		
046	994-16050-121	SCREW 5X12/W. S	1		
		B47-12 TOOLS			
000	783-38454-90	NYLON HEAD ASSY Z5	1		
001	813-29014-60	HEX. WRENCH 4	1		
002	786-38454-20	CUTTING BODY	1		
003	315-38454-20	SPECIAL NUT	1		
004	793-38454-20	REEL SPRING	1		
005	788-38454-20	EYELET	2		
006	787-38454-20	SPOOL	1		
008	789-38454-20	CUTTING BODY CAP	1		
030	541-37590-20	PROTECTION GLASSES	1		
031	829-20000-80	COMBI BOX SPANNER 13X19 , PLUS	1		
		B47-13 LABELS			
001	915-07182-21	STARTER MARK	1		
002	929-0718A-20		1		
008	919-38515-20	CAUTION MARK 9900RPM	1		
		===== END OF DATA =====			

MPSRL3 MPTAN MPC5

0

0

0 \*07

0 48431

0

0

0

0

0

0

0

0

0

0

0

0

0

0

0

0

0

0

0

0

0

0

0

0

0

0

0

0

0

0

0

0

0

0

0

0

0

0

0

0

0

0

0

0

0

0

0

0

0

0

0

0

0

0

0

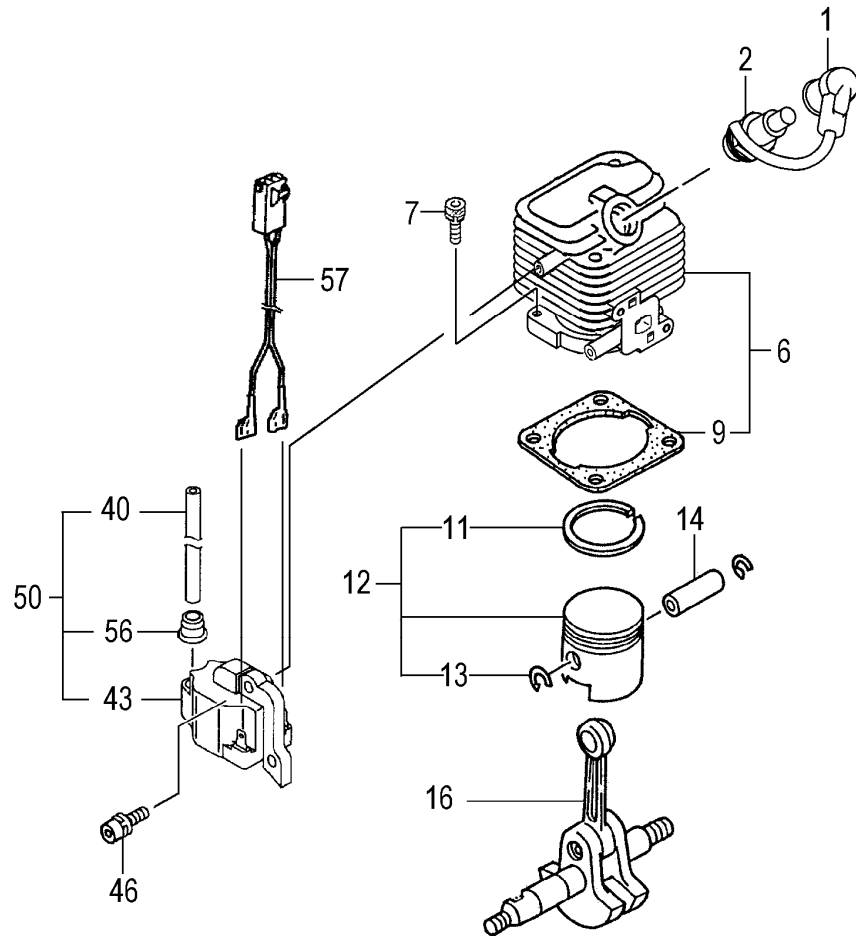
0



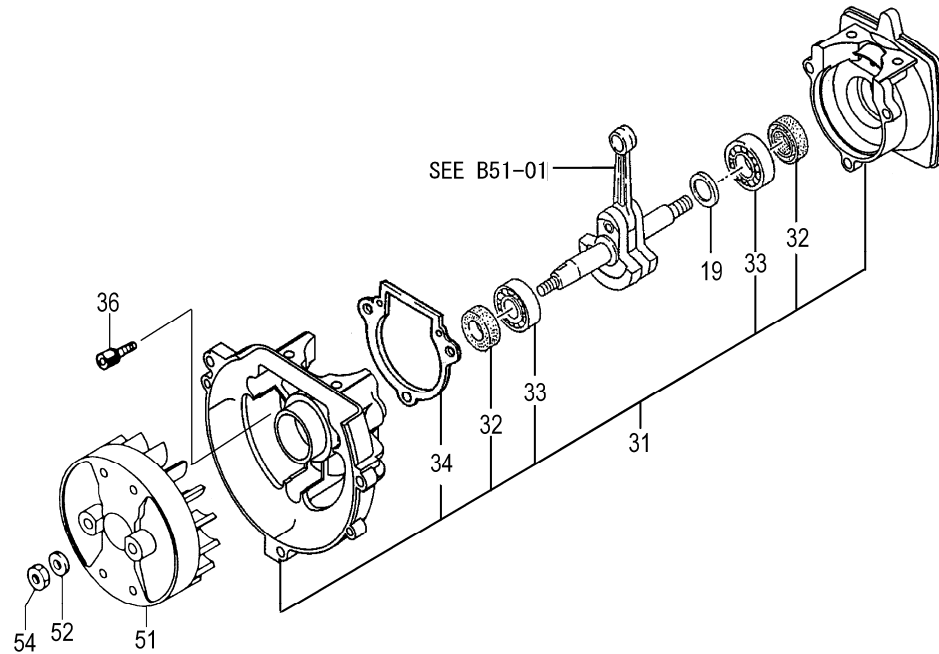




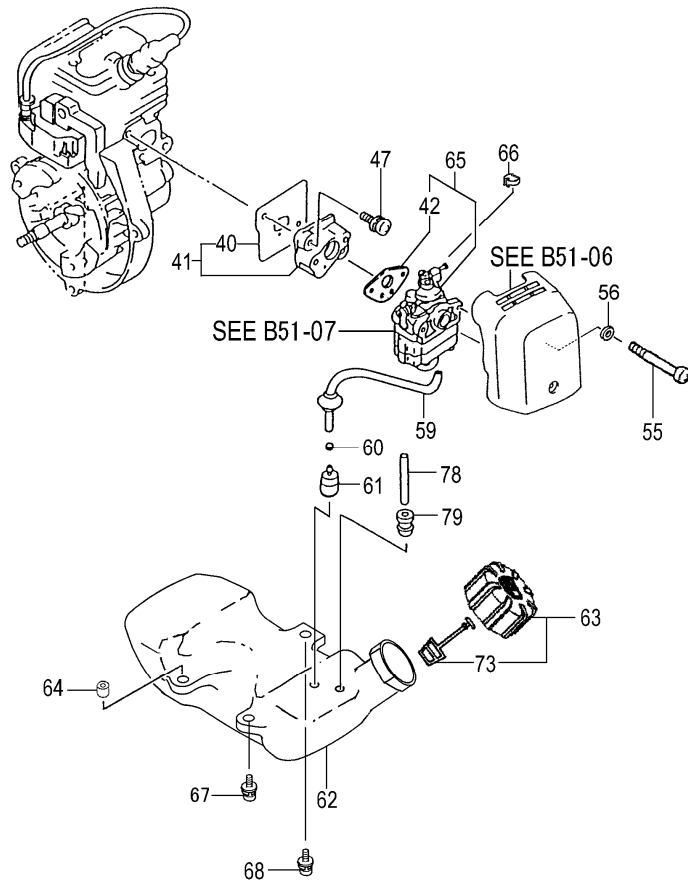


**B47-01****CG22EJ(SLD) CYLINDER/PISTON/CRANK SHAFT**

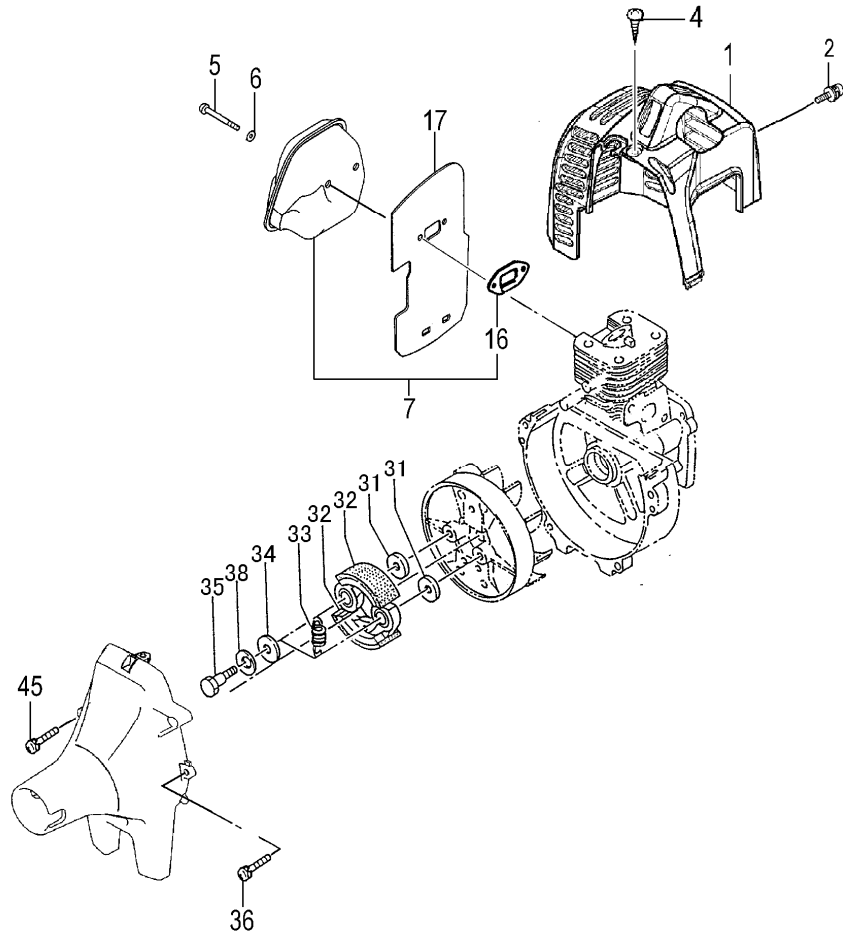
REF. NUMBER	PARTS NUMBER	DESCRIPTION	Q'TY	SERIAL NUMBER
001	157-01570-90	SPARK PLUG CAP ASS'Y	1	
002	018-00555-20	SPARK PLUG, RCJ8Y	1	
006	001-07130-91	CYLINDER SET	1	
007	994-61050-184	HEX. HOLE BOLT 5X18/S	2	
009	017-00980-20	CYLINDER GASKET	1	
011	041-00601-21	PISTON RING	1	
012	030-00070-90	PISTON SET	1	
013	039-00601-20	PISTON PIN CIRCLIP	2	
014	037-06500-20	PISTON PIN	1	
016	046-07135-80	CRANK SHAFT COMP.	1	
040	178-20549-20	HIGH TENSION CORD 140L	1	
043	167-20546-80	IGNITION COIL COMP.	1	
046	994-63040-154	HEX.HOLE BOLT 4X15/PS	2	
050	167-20546-91	IGNITION COIL	1	
056	560-20517-20	RUBBER CAP	1	
057	191-07025-90	REED WIRE ASS'Y	1	

**B47-02****CG22EJ(SLD) CRANK CASE**

REF. NUMBER	PARTS NUMBER	DESCRIPTION	Q'TY	SERIAL NUMBER
019	330-00200-23	GEAR SHAFT SHIM 0.20	V	
019	330-00200-24	GEAR SHAFT SHIM 0.30	V	
031	072-07120-92	CRANK CASE ASS'Y	1	
032	999-66122-200	OIL SEAL TB 12227	2	
033	999-61600-115	BALL BEARING 6001 C3	2	
034	090-06410-20	CRANK CASE GASKET	1	
036	994-61050-184	HEX. HOLE BOLT 5X18/S	3	
051	155-20550-81	MAGNETO ROTOR COMP.	1	
052	992-01080-011	WASHER 8	1	
054	991-01080-011	HEX. NUT 8	1	

**B47-03****CG22EJ(SLD) ENGINE-1**

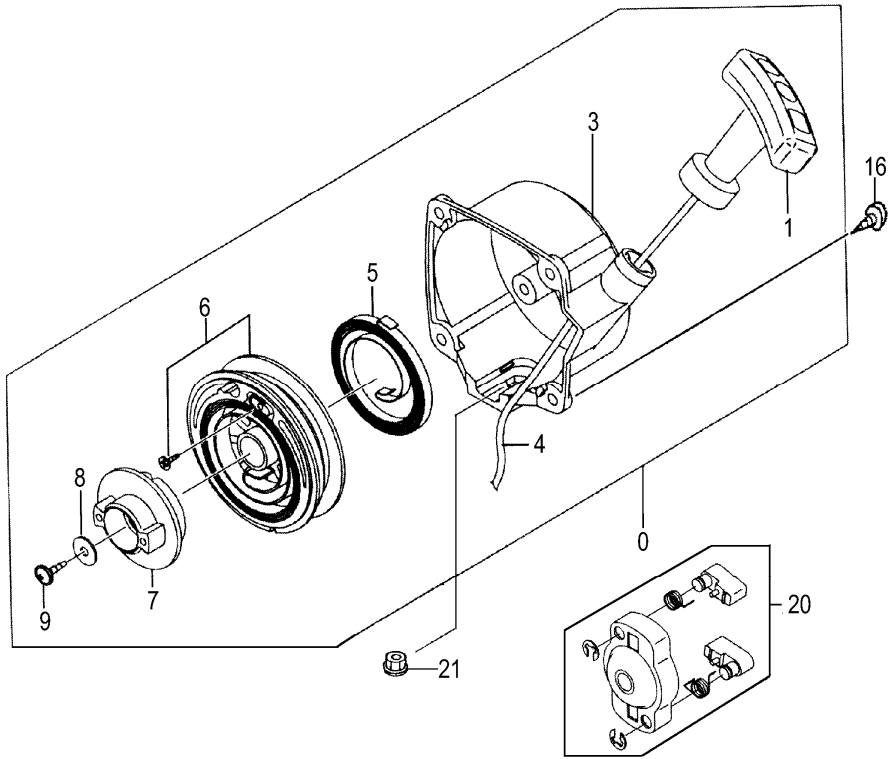
REF. NUMBER	PARTS NUMBER	DESCRIPTION	Q'TY	SERIAL NUMBER
040	403-0631A-20	INLET MANIFOLD GASKET	1	
041	404-0099F-90	CARB INSULATOR SET	1	
042	402-0602K-21	CARBURETOR GASKET	1	
047	994-64050-224	HEX.HOLE BOLT 5X22/WS	2	
055	994-14050-601	SCREW 5X60/S	2	
056	992-01050-011	WASHER 5	2	
059	223-07000-90	SHEILD TUBE	1	
060	680-00731-20	CLIP, 6.3 DIA.	1	
061	675-04042-80	PUMP FILTER BODY COMP	1	
062	591-07137-21	TANK	1	
063	595-01690-90	TANK CAP ASS'Y (BLACK)	1	
064	659-00801-20	COLLAR 5.8	3	
065	455-07139-90	CARBURETOR SET WYL18	1	
066	560-07120-20	SWIVEL CAP	1	
067	994-63050-164	HEX.HOLE BOLT 5X16/PS	2	
068	994-65050-205	SCREW 5X20WS	1	
073	626-32550-20	TANK CAP CHAIN	1	
078	700-03005-08	FUEL PIPE 3X5X85	1	
079	534-32710-20	RETURN GROMMET	1	

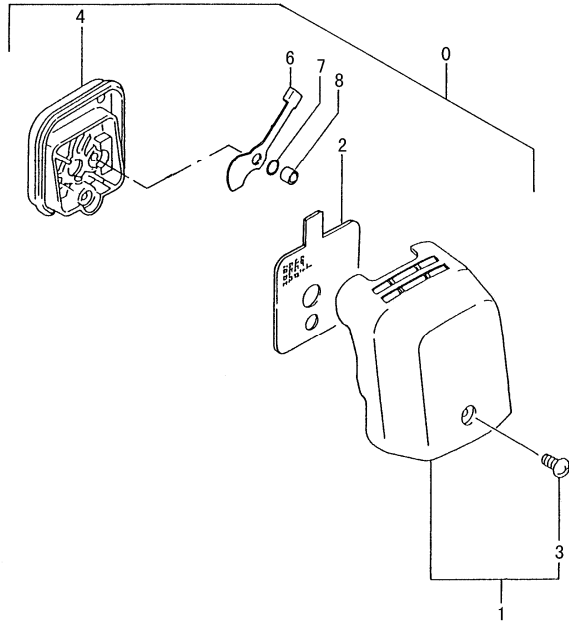
**B47-04****CG22EJ(SLD) ENGINE-2**

REF. NUMBER	PARTS NUMBER	DESCRIPTION	Q'TY	SERIAL NUMBER
001	738-07162-20	MUFFLER PROTECTOR BL	1	
002	994-15040-151	SCREW 4X15PS	1	
004	990-73045-124	TAPPING SCREW 4.5X12	1	
005	990-51050-503	HEX. HOLE BOLT 5X50	2	
006	992-01050-061	WASHER 5	2	
007	704-07001-90	MUFFLER SET	1	
016	737-07000-20	MUFFLER GASKET	1	
017	133-06540-20	HEAT SHIELD	1	
031	359-02103-20	CLUTCH WASHER B	2	
032	290-06410-80	CLUTCH SHOE COMP.,T-16	2	
033	342-06410-20	CLUTCH SPRING	1	
034	348-0630A-20	CLUTCH PLATE A 0.5	2	
035	357-00601-20	STEP BOLT	2	
036	994-64050-184	HEX.HOLE BOLT 5X18/WS	2	
038	992-05080-030	BENT WASHER 8	2	
045	994-64050-304	HEX.HOLE BOLT 5X30/WS	1	

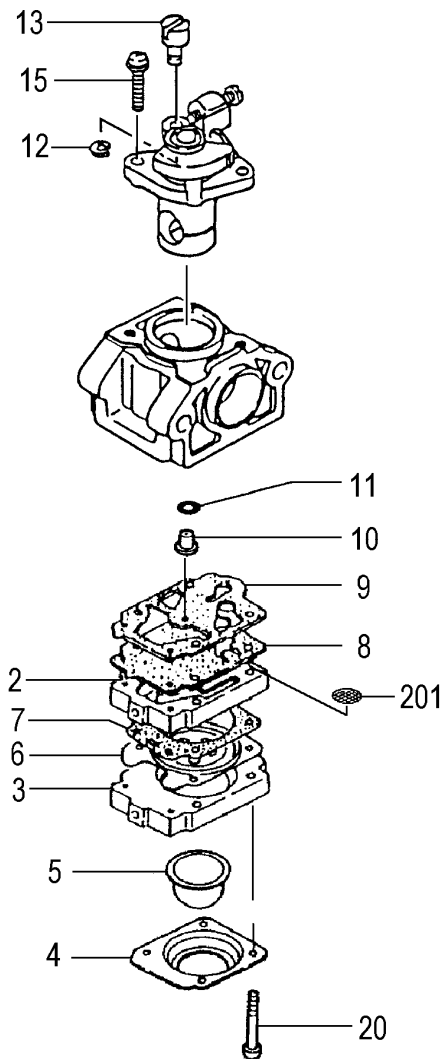
**B47-05****CG22EJ(SLD) RECOIL STARTER**

REF. NUMBER	PARTS NUMBER	DESCRIPTION	Q'TY	SERIAL NUMBER
000	762-07130-91	RECOIL STARTER BODY AS	1	
001	785-07085-20	STARTER HANDLE	1	
003	772-07130-81	RECOIL STARTER BODY C	1	
004	783-07130-20	ROPE 2.6X830	1	
005	780-07130-20	RECOIL SPRING	1	
006	778-07130-90	SPRING CASE ASS'Y	1	
007	774-07130-20	STARTER ROPE REEL	1	
008	182-07085-20	SPECIAL WASHER 5.2X15	1	
009	990-72050-144	TAPPING SCREW 5X14	1	
016	994-64040-185	HEX. HOLE BOLT 4X18WS	4	
020	798-07085-90	STARTER PULLEY ASS'Y	1	
021	991-82050-001	FLUNGE NUT 5	1	



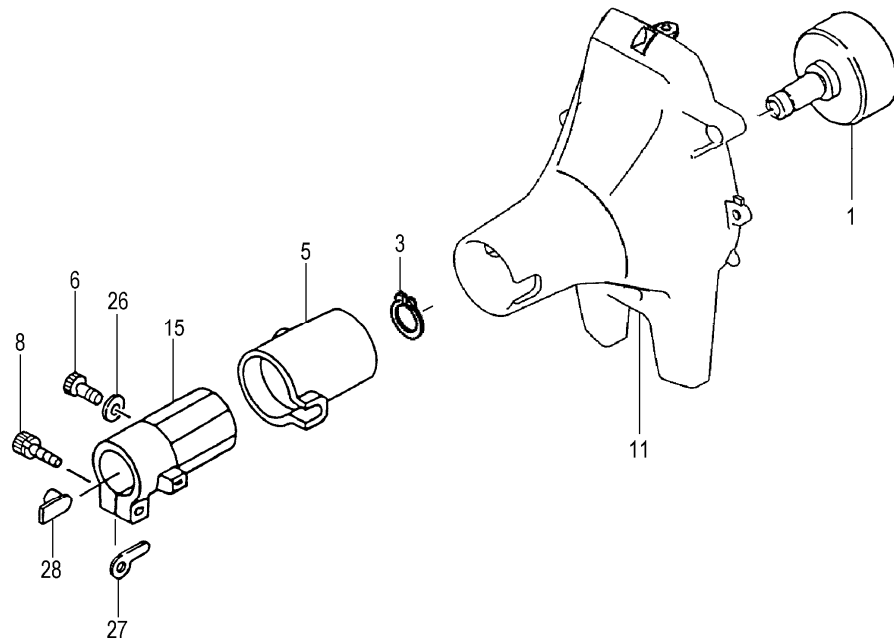
**B47-06****CG22EJ(SLD) AIR CLEANER**

REF. NUMBER	PARTS NUMBER	DESCRIPTION	Q'TY	SERIAL NUMBER
000	410-07142-91	CLEANER ASSY	1	
001	452-00070-92	CLEANER COVER SET	1	
002	421-00070-20	AIRCLEANER ELEMENT	1	
003	380-0637C-20	SPECIAL SCREW	1	
004	423-00070-81	CLEANER BODY COMP.	1	
006	528-07143-80	CHOKE VALVE COMP.	1	
007	992-04080-031	WAVE WASHER 8	1	
008	657-3252A-20	COLLAR 8	1	

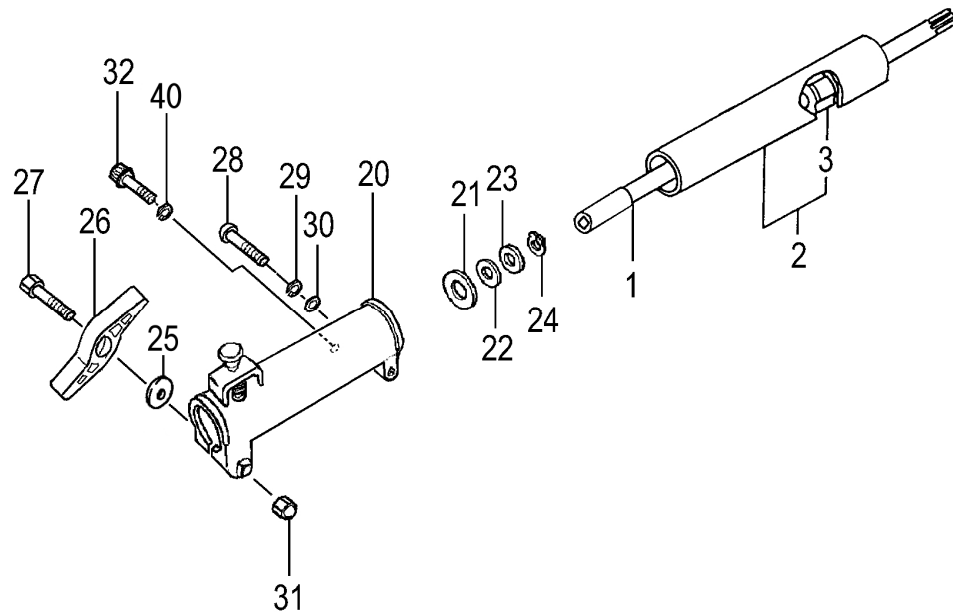
**B47-07****CG22EJ(SLD) CARBURETOR**

REF. NUMBER	PARTS NUMBER	DESCRIPTION	Q'TY	SERIAL NUMBER
002	575-25153-80	PUMP BODY COMP	1	
003	442-25151-80	PRIMING PUMP COMP.	1	
004	476-25151-20	DIAPHRAGM COVER	1	
005	447-25108-20	PRIMING BODY	1	
006	474-25241-80	METERING DIAPHRAGM CO	1	
007	475-25153-20	DIAPHRAGM GASKET	1	
008	576-25100-20	PUMP DIAPHRAGM	1	
009	577-25100-20	PUMP GASKET	1	
010	599-2000W-38	MAIN JET #38	1	
011	550-25100-20	O-RING	1	
012	489-25100-20	STOP RING	1	
013	539-25120-20	SWIVEL	1	
015	548-25140-20	THROTTLE SET SCREW	2	
020	548-25151-20	SET SCREW	4	
201	578-25007-20	INLET SCREEN	1	

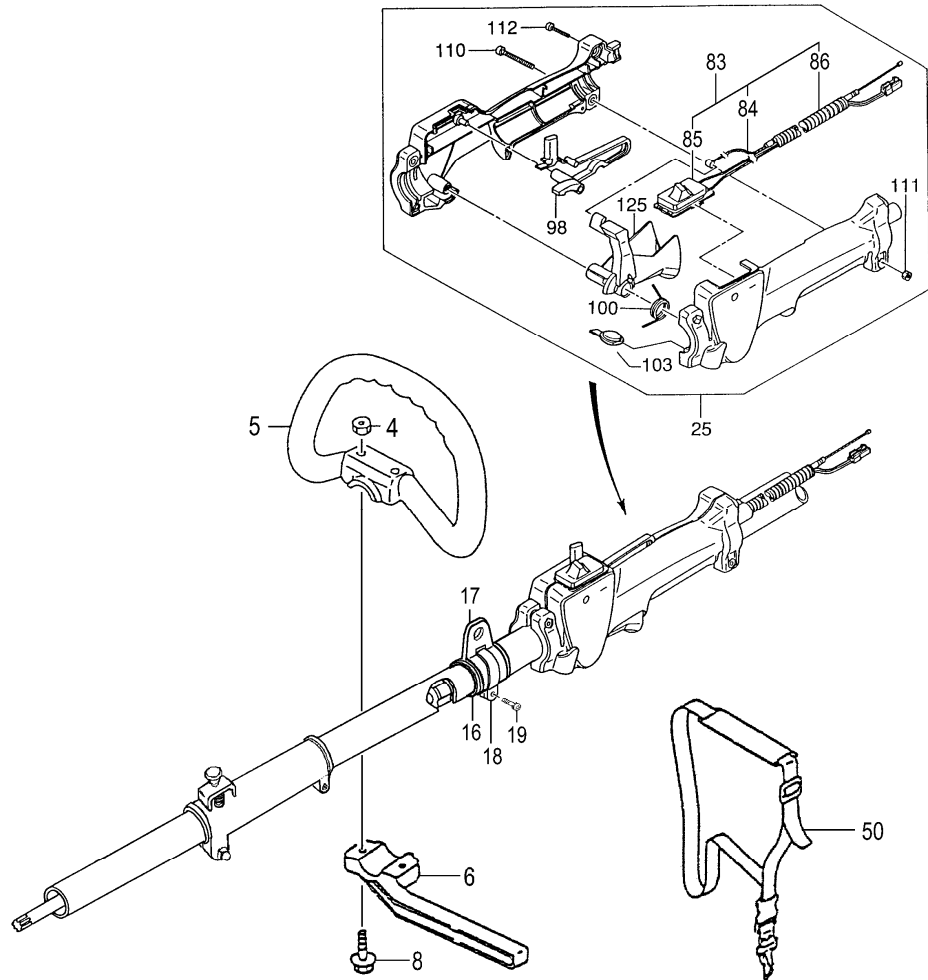


**B47-08****CG22EJ(SLD) FAN CASE**

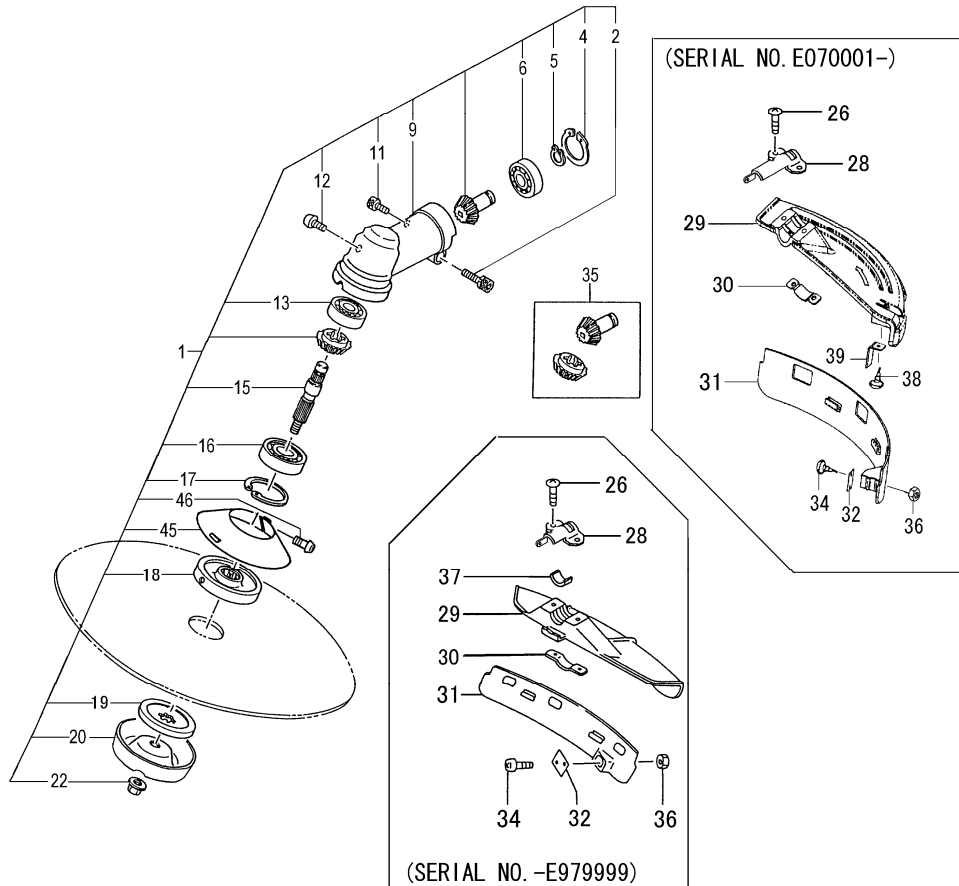
REF. NUMBER	PARTS NUMBER	DESCRIPTION	Q'TY	SERIAL NUMBER
001	289-07060-80	CLUTCH SHAFT COMP.	1	
003	993-50012-002	STOP RING C-12, OUTER	1	
005	599-07120-21	ANTI-VIBE RUBBER	1	
006	990-51050-163	HEX. HOLE BOLT 5X16	1	
008	994-61050-254	HEX. HOLE BOLT 5X25/S	1	
011	112-07124-80	FAN CASE COMP. OR	1	
015	360-00996-20	PIPE HOLDER,24 DIA.	1	
026	992-01050-061	WASHER 5	1	
027	324-37350-20	GEAR CASE WASHER	1	
028	361-00990-20	METAL FITTING	1	

**B47-09****CG22EJ(SLD) OPERATION PIPE**

REF. NUMBER	PARTS NUMBER	DESCRIPTION	Q'TY	SERIAL NUMBER
001	035-38466-80	DRIVE SHAFT A	1	
002	341-32237-80	DRIVE SHAFT PIPE COMP	1	
003	347-38360-90	BUSH ASS'Y	3	
020	280-38466-90	JOINT CASE ASSY	1	
021	320-33318-20	SPACER 1.6	1	
022	360-33315-20	SPACER	1	
023	801-10205-20	PULLEY WASHER	1	
024	993-50010-002	STOP RING C-10, OUTER	1	
025	871-32600-20	SPECIAL WASHER B	1	
026	512-3338P-20	HANDLE KNOB	1	
027	990-21060-504	HEX. BOLT 6X50	1	
028	990-53060-353	HEX. HOLE BOLT 6X35	1	
029	992-10060-062	S.WASHER 6	1	
030	992-00060-061	SMALL WASHER 6 BLACK	1	
031	991-42060-012	CAP NUT 6	1	
032	990-51050-123	HEX. HOLE BOLT 5X12	1	
033	341-38466-80	DRIVE SHAFT PIPE 742L	1	
034	347-38360-90	BUSH ASS'Y	3	
035	036-38190-20	DRIVE SHAFT B 783L	1	
036	347-38466-20	BUSH	1	
040	992-10050-062	S.WASHER 5	1	

**B47-10****CG22EJ(SLD) THROTTLE LEVER**

REF. NUMBER	PARTS NUMBER	DESCRIPTION	Q'TY	SERIAL NUMBER
004	991-01060-041	HEX. NUT 6	2	
005	500-37300-20	HANDLE	1	
006	520-37277-20	BARRIER, 24 DIA.,BLACK	1	
008	994-23060-432	BOLT 6X43/P	2	
016	334-38360-20	HANGER COLLAR	1	
017	335-38360-80	HANGER	1	
018	337-38360-80	HANGER FIXING BRACKET	1	
019	994-16050-252	SCREW 5X25WS	1	
025	870-38449-90	THROTTLE LEVER ASS'Y	1	
050	746-3738F-90	SHOULDER BELT ASS'Y, S	1	
083	885-38449-80	THROTTLE WIRE COMP.	1	
084	887-38449-80	THROTTLE WIRE 4T	1	
085	156-37821-80	STOP BUTTON COMP.	1	
086	164-07014-50	PROTECTION TUBE 7X145L	1	
098	253-38400-20	SAFETY LEVER	1	
100	832-38400-20	RETURN SPRING	1	
103	322-38400-20	BLIND PLUG	1	
110	994-31050-203	SCREW 5X20	2	
111	991-01050-043	CONTAL NUT 5	2	
112	993-46040-202	SCREW 4X20, BLACK	4	
125	880-38400-20	THROTTLE LEVER	1	

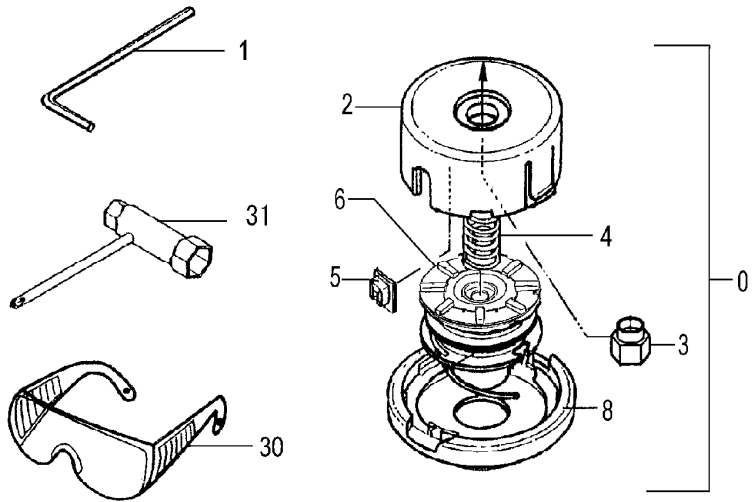
**B47-11****CG22EJ(SLD) GEAR CASE**

REF. NUMBER	PARTS NUMBER	DESCRIPTION	Q'TY	SERIAL NUMBER
001	300-38360-91	GEAR CASE ASS'Y 24	1	
002	994-61050-254	HEX. HOLE BOLT 5X25/S	1	
004	993-51024-002	STOP RING C-24, INNER	1	
005	993-50009-002	STOP RING C-9, OUTER	1	
006	999-61609-002	BALL BEARING 609Z ST	1	
009	300-38360-21	GEAR CASE 24	1	
011	994-16050-121	SCREW 5X12/W.S	1	
012	316-38150-20	OILING BOLT	1	
013	999-61626-000	BALL BEARING 626 , 19MM	1	
015	304-38360-20	GEAR SHAFT	1	
016	999-61600-003	BALL BEARING 6000D, 26M	1	
017	993-51026-002	STOP RING C-26, INNER	1	
018	310-38360-20	CUTTER HOLDER	1	
019	311-38360-20	CUTTER HOLDER CAP	1	
020	308-38360-20	PROTECTION COVER	1	
022	313-38360-20	FIXING NUT L/H	1	
026	994-81060-254	HEX. HOLE BUTTON SCREW	2	
028	442-38455-20	COVER BRACKET 24	1	- E979999
028	442-38470-20	COVER BRACKET	1	E070001 -
029,1	441-37380-21	BLADE GUARD 26 CE	1	- E979999
029	441-38505-20	BLADE GUARD 24CE	1	E070001 -
030	445-37380-20	SAFETY COVER HOLDER	1	
031,1	447-37380-20	COVER GUARD	1	- E979999
031	447-38455-20	COVER GUARD	1	E070001 -
032,1	797-37380-21	KNIFE	1	- E979999
032	797-37714-20	KNIFE	1	E070001 -
034,1	994-14050-121	SCREW 5X12/S	1	- E979999
034	993-48040-142	TAPPING SCREW 4X14P	1	E070001 -
035	301-38360-00	GEAR/PINION SET	1	
036	991-01050-011	HEX. NUT 5	1	
037	444-37609-20	BRACKET SPACER	1	- E979999
038	993-17052-002	TAPPING SCREW 5X20	1	E070001 -
039	797-38331-20	KNIFN	1	E070001 -
045	303-38360-20	GEAR CASE COVER	1	
046	994-16050-121	SCREW 5X12/W.S	1	

**B47-12**

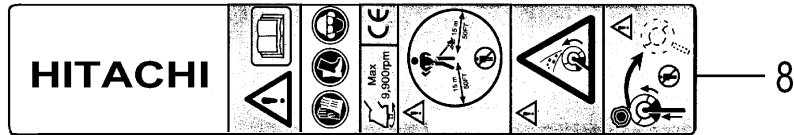
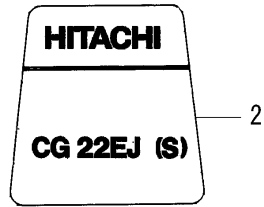
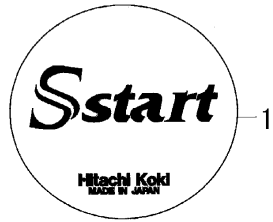
**CG22EJ(SLD) TOOLS**

REF. NUMBER	PARTS NUMBER	DESCRIPTION	Q'TY	SERIAL NUMBER
000	783-38454-90	NYLON HEAD ASSY Z5	1	
001	813-29014-60	HEX. WRENCH 4	1	
002	786-38454-20	CUTTING BODY	1	
003	315-38454-20	SPECIAL NUT	1	
004	793-38454-20	REEL SPRING	1	
005	788-38454-20	EYELET	2	
006	787-38454-20	SPOOL	1	
008	789-38454-20	CUTTING BODY CAP	1	
030	541-37590-20	PROTECTION GLASSES	1	
031	829-20000-80	COMBI BOX SPANNER 13X	1	



**B47-13**

**CG22EJ(SLD) LABELS**



REF. NUMBER	PARTS NUMBER	DESCRIPTION	Q'TY	SERIAL NUMBER
001	915-07182-21	STARTER MARK	1	
002	929-0718A-20		1	
008	919-38515-20	CAUTION MARK 9900RPM	1	