

B36

CG28EJ(SL)

Serial No.-EN79999

MPREF	MPHIN	MPNAM	MPQTY1	MPS	MPSRL2	MPS
		+++++++ MODEL:CG28EJL ++++++				
		B36-01 CYLINDER/PISTON/CRANK				
001	018-04221-20	SPARK PLUG RCJ-6Y	1			
002	001-07020-90	CYLINDER SET	1			
003	994-61050-164	HEX. HOLE BOLT 5X16S	4			
004	017-07020-20	CYLINDER GASKET	1			
005	041-07020-20	PISTON RING 34.5	2			
006	030-07020-91	PISTON SET	1			
007	037-07020-20	PISTON PIN	1			
008	039-00000-20	PISTON PIN CIRCLIP	2			
011	046-0703A-81	CRANK SHAFT COMP.	1			
012	999-62091-325	NEEDLE BRG F-910 1.4X8.5	1			
013	068-10100-20	WOOD-RUFF KEY 3X13X4.5	1			
030	994-64040-184	HEX. HOLE BOLT 4X18WS	2			
033	250-07020-20	INSULATOR TUBE, 110L	1			
043	167-20549-80	IGNITION COIL COMP	1			
050	167-20549-91	IGNITION COIL ASS'Y	1			
055	178-20549-20	HIGH TENSION CORD 140L	1			
056	560-20517-20	RUBBER CAP	1			
057	191-07025-90	REED WIRE ASS'Y	1			
060	182-0186A-20	WASHER	2			
		B36-02 CRANK CASE				
014	072-07020-90	CRANK CASE ASS'Y	1			
015	999-66122-200	OIL SEAL TB 12227	2			
016	999-61600-115	BALL BEARING 6001 C3	2			
017	090-07020-20	CRANK CASE GASKET	1			
018	330-00200-21	GEAR SHAFT SHIM 0.10	V			
018	330-00200-22	GEAR SHAFT SHIM 0.15	V			
018	330-00200-23	GEAR SHAFT SHIM 0.20	V			
018	330-00200-24	GEAR SHAFT SHIM 0.30	V			
024	155-20546-80	MAGNETO ROTOR COMP.	1			
025	991-01080-011	HEX. NUT 8	1			
027	992-00080-011	SMALL WASHER 8	1			
032	994-61050-164	HEX. HOLE BOLT 5X16S	3			
		B36-03 ENGINE-1				
080	403-07020-21	INLET MANIFOLD GASKET	1			
081	404-07020-91	INSULATOR SET	1			
082	994-64050-254	HEX. HOLE BOLT 5X25WS	2			
085	402-0656A-20	CARBURETOR GASKET	1			
086	528-07020-22	CHOKE PLATE 1.0	1			
088	423-0652N-80	CLEANER BODY COMP.	1			
089	446-0652N-20	CLEANER SPONGE	1			
090	452-07035-90	CLEANER COVER ASS'Y	1			
091	450-07024-80	COVER FIXING BOLT	1			
094	990-11050-552	SCREW 5X55	2			
095	992-10050-012	S. WASHER 5	2			
096	992-00050-011	SMALL WASHER 5	2			
098	455-07025-90	CARBURETOR SET WYJ392	1			
099	523-0652N-20	CHOKE CONTROL LEVER	1			
100	591-07034-80	TANK COMP. OR	1			
109	659-04300-20	COLLAR C	3			
110	222-06300-20	FUEL PIPE GROMMET	1			
111	700-03005-08	FUEL PIPE 3X5X80	1			
112	675-04042-80	PUMP FILTER BODY COMP.	1			

113	680-00731-20	CLIP, 6.3 DIA.	1
114	223-0162V-90	FUEL PIPE ASS'Y	1
116	994-63050-205	HEX HOLE BOLT 5X20PS	3
117	595-01690-90	TANK CAP ASS'Y (BLACK)	1
118	990-75040-154	TAPPING SCREW 4X15	1
119	992-01040-011	WASHER 4	1
120	941-07035-20	STAND	1
200	626-32550-20	TANK CAP CHAIN B36-04 ENGINE-2	1
035	290-06410-80	CLUTCH SHOE COMP., T-16	2
036	342-06410-20	CLUTCH SPRING	1
037	359-02103-20	CLUTCH WASHER B	2
038	348-0630A-20	CLUTCH PLATE A 0.5	2
039	992-05080-030	BENT WASHER 8	2
040	357-00601-20	STEP BOLT	2
042	993-50012-002	STOP RING C-12, OUTER	1
043	112-07021-81	FAN CASE COMP.	1
045	990-73045-124	TAPPING SCREW 4.5X12	1
046	994-64050-154	HEX. HOLE BOLT 5X15WS	4
047	599-07020-20	ANTI-VIBE RUBBER	2
048	990-72050-144	TAPPING SCREW 5X14	4
052	360-07030-20	PIPE HOLDER	1
053	994-61050-254	HEX. HOLE BOLT 5X25/S	1
054	994-61040-124	HEX. HOLE BOLT 4X12S	1
058	289-07020-80	CLUTCH SHAFT COMP.	1
062	993-53032-002	STOP RING R-32 INNER	1
063	088-07020-20	BEARING CASE	1
064	999-61620-101	BALL BEARING #6201ZZ, 32MM/OD	1
065	738-07021-20	MUFFLER PROTECTOR	1
066	157-01570-90	SPARK PLUG CAP ASS'Y	1
071	203-11660-20	PRIMARY CORD GROMMET	1
072	737-0165A-20	MUFFLER GASKET	1
073	133-07020-21	HEAT SHIELD	1
074	704-07020-90	MUFFLER SET	1
075	990-51060-553	HEX HOLE BOLT 6X55	2
076	992-01060-011	WASHER 6	2
077	751-07020-20	MUFFLER SPECIAL GASKET	1
078	721-07020-90	TAIL PIPE SET	1
079	994-14040-081	SCREW 4X8/S B36-05 RECOIL STARTER	2
000	762-07027-90	RECOIL STARTER BODY ASS'Y	1
001	785-07085-20	STARTER HANDLE	1
002	772-07085-80	RECOIL STARTER BODY COMP,	1
003	783-07085-20	RECOIL ROPE	1
004	780-07085-20	RECOIL SPRING	1
006	778-07085-91	SPRING CASE ASS'Y	1
008	774-07027-20	STARTER PULLEY	1
009	182-07085-20	SPECIAL WASHER 5.2X15	1
010	990-72050-144	TAPPING SCREW 5X14	1
011	991-01080-011	HEX. NUT 8	1
012	994-64040-185	HEX. HOLE BOLT 4X18WS	4
015	806-07027-20	STARTER BASE	1
016	990-73045-144	TAPPING SCREW 4.5X14	3
020	798-07085-90	STARTER PULLEY ASS'Y B36-06 CARBURETOR	1

001	514-25100-20	THROTTLE SET SCREW	2
004	544-25164-20	CABLE ADJUSTER STAY	1
005	539-25120-20	SWIVEL	1
007	489-25100-20	STOP RING	1
010	550-25100-20	O-RING	1
011	599-2000W-43	MAIN JET #43	1
012	577-25100-20	PUMP GASKET	1
013	576-25100-20	PUMP DIAPHRAGM	1
016	578-25007-20	INLET SCREEN	1
017	575-25153-80	PUMP BODY COMP	1
018	475-25153-20	DIAPHRAGM GASKET	1
019	474-25001-80	METERING DIAPHRAGM COMP.	# 1
020	476-25151-20	DIAPHRAGM COVER	1
021	548-25151-20	SET SCREW	4
022	614-25137-20	CABLE ADJUSTER	1
023	613-25100-20	CABLE ADJUST NUT	1
024	431-0634C-20	CLEANER PACKING	1
025	442-25151-80	PRIMING PUMP COMP.	1
026	447-25108-20	PRIMING BODY	1
041	549-25165-20	THRUST WASHER	1
		B36-07 OPERATION PIPE	
001	343-38302-20	DRIVE SHAFT 1533L	1
002	341-38300-81	DRIVE SHAFT PIPE COMP 1500L	1
003	347-37356-90	BUSHING ASS'Y	5
004	991-01060-041	HEX. NUT 6	2
005	500-3738E-20	LOOP HANDLE, 26DIA., BLACK	1
006	520-33398-20	BARRIER, 26DIA, BLACK	1
008	994-23060-432	BOLT 6X43/P	2
010	993-11052-012	TAPPING SCREW 5X20	1
011	368-32350-20	BRAKE SHAFT WASHER	1
012	503-3738E-20	HANDLE GRIP	1
016	335-37378-90	LIFTING METAL ASS'Y	1
025	870-37588-90	THROTTLE LEVER ASS'Y, 26 DIA.	1
050	746-3738F-90	SHOULDER BELT ASS'Y, SINGLE	1
083	885-38400-80	THROTTLE WIRE COMP.	1
084	887-38400-80	THROTTLE WIRE	1
085	156-38400-80	STOP SWITCH COMP.	1
086	164-07017-50	PROTECTION TUBE 7X175	1
098	253-38400-20	SAFETY LEVER	1
100	832-38400-20	RETURN SPRING	1
103	322-38400-20	BLIND PLUG	1
110	994-31050-203	SCREW 5X20	2
111	991-01050-043	CONTAL NUT 5	2
112	993-46040-202	SCREW 4X20, BLACK	4
125	880-38400-20	THROTTLE LEVER	1
		B36-08 GEAR CASE/GUARD	
001	300-3338R-90	GEAR CASE ASS'Y, 26 DIA.	1
002	994-61050-254	HEX. HOLE BOLT 5X25/S	2
004	993-51026-002	STOP RING C-26, INNER	1
005	993-57010-002	STOP RING OUTER 10	1
006	999-61600-002	BALL BEARING #6000Z, 26MM/OD	1
007	999-61600-000	BALL BEARING #6000, 26MM/OD	1
009	300-37480-20	GEAR CASE 26 DIA	1
011	994-61050-124	HEX. HOLE BOLT 5X12S	1
012	316-38150-20	OILING BOLT	1

013	999-61609-000	BALL BEARING 609	1		
015	304-3338R-20	GEAR SHAFT	1		
016	999-61620-103	BALL BEARING 6201D, 32MM/OD	1		
017	993-51032-002	STOP RING C-32, INNER	1		
018	310-38150-20	CUTTER HOLDER	1		
019	311-38150-20	CUTTER HOLDER CAP	1		
022	313-38150-20	FIXING NUT M10X1.25	1		
023	324-38150-20	GEAR CASE WASHER	1		
026	994-81060-254	HEX. HOLE BUTTON SCREW 6X25S	2		
028	442-38331-20	COVER BRACKET 26	1		
029, 1	441-37380-21	BLADE GUARD 26 CE	1	-	E979999
029	441-38331-20	BLADE GUARD 26CE	1		E070001 -
030	445-37380-20	SAFETY COVER HOLDER	1		
031, 1	447-37380-20	COVER GUARD	1	-	E979999
031	447-38331-20	COVER GUARD	1		E070001 -
032, 1	797-37380-21	KNIFE	1	-	E979999
032	797-37714-20	KNIFE	1		E070001 -
034, 1	994-14050-121	SCREW 5X12/S	1	-	E979999
034	993-48040-142	TAPPING SCREW 4X14P	1		E070001 -
035	301-37480-00	GEAR/PINION SET, SPARE	1		
036	991-01050-011	HEX. NUT 5	1	-	E979999
038	993-17052-002	TAPPING SCREW 5X20	1		E070001 -
039	797-38331-20	KNIFN	1		E070001 -
		B36-09 TOOL&OPTIONAL PARTS			
001	813-20000-20	HEX. WRENCH 4	1		
002	826-20000-80	COMBI, BOX WRENCH 17X19	1		
003	812-20000-20	HEX. WRENCH 3	1		
011	307-37307-20	WINDING PROTECTOR	1		
013	783-33832-90	NYLON HEAD/SURE TAP, M10-NUT	1		
014	356-3383B-20	MOUNTING NUT L-M10X1.25	1		
015	786-33830-20	CUTTING BODY	1		
016	315-33830-20	SPECIAL NUT	1		
017	793-33830-20	REEL SPRING	1		
018	787-33830-20	SPOOL	1		
019	789-33830-20	CUTTING BODY CAP	1		
020	788-33830-20	EYELET	2		
030	541-37590-20	PROTECTION GLASSES	1		
		B36-10 LABELS			
001	915-07182-21	STARTER MARK	1		
002	929-07218-20	SYMBOL MARK CG28EJ(SL)	1		
008	919-38515-20	CAUTION MARK 9900RPM	1		
		===== END OF DATA =====			

MPTAN MPC5

0

0

0 *07

0 48313

0

0

0

0

0

0

0

0

0

0

0

0

0

0

0

0

0

0

0

0

0

0

0

0

0

0

0

0

0

0

0

0

0

0

0

0

0

0

0

0

0

0

0

0

0

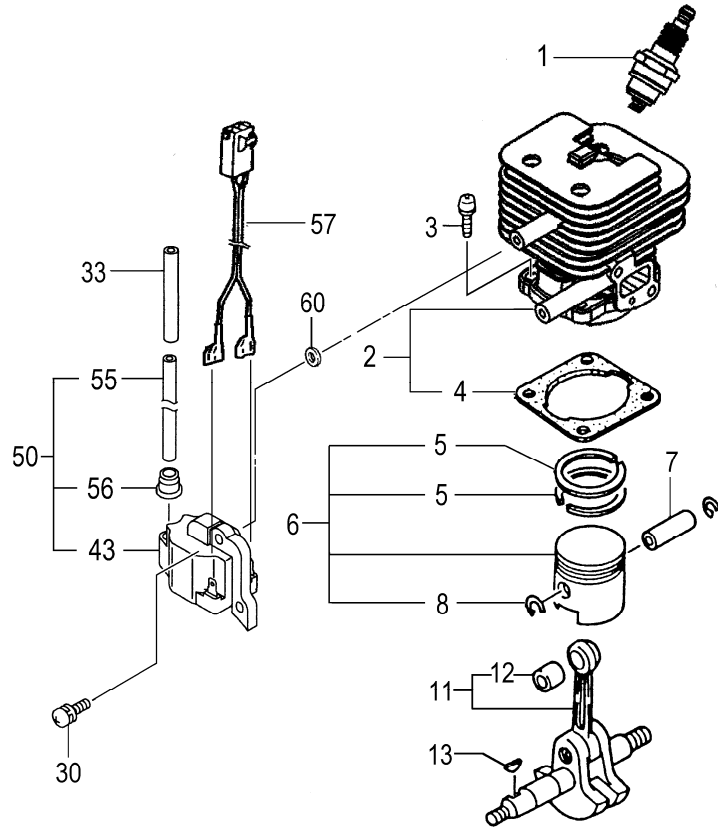
0

0

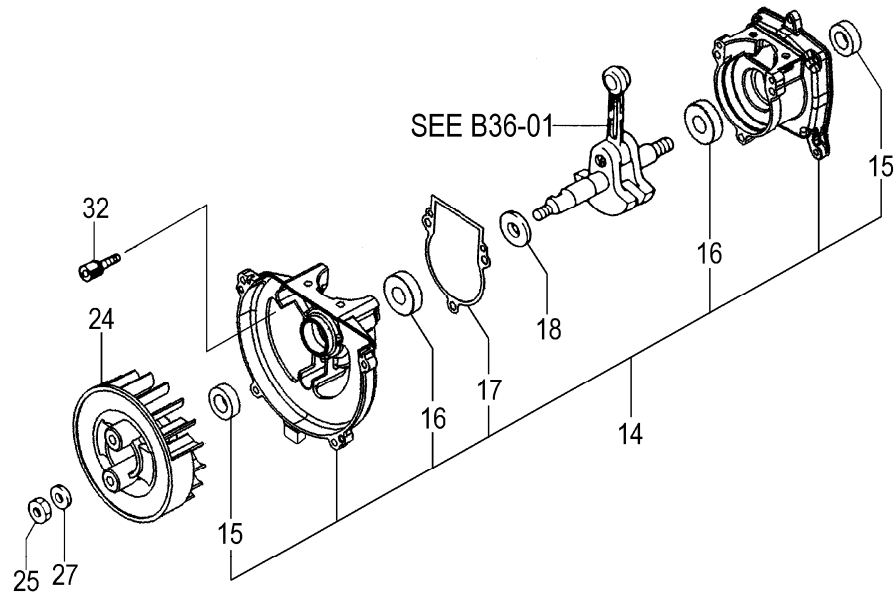
0

B36-01

CG28EJ(SL) CYLINDER/PISTON/CRANK SHAFT



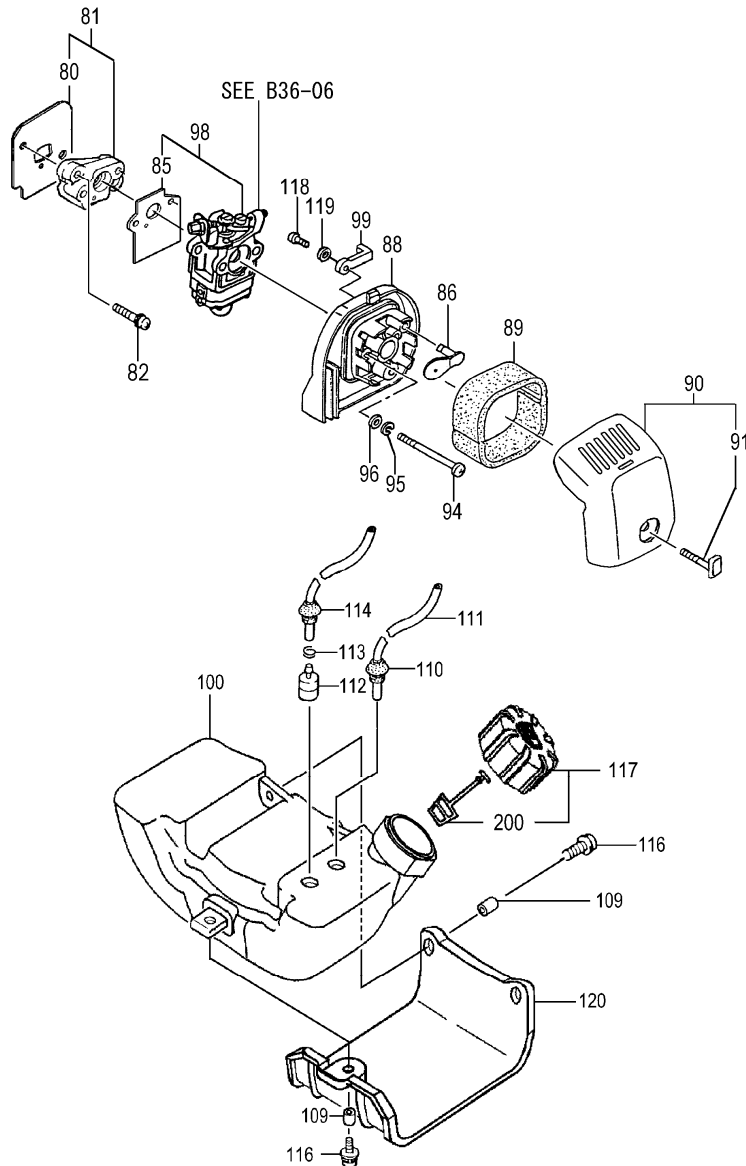
REF. NUMBER	PARTS NUMBER	DESCRIPTION	Q'TY	SERIAL NUMBER
001	018-04221-20	SPARK PLUG RCJ-6Y	1	
002	001-07020-90	CYLINDER SET	1	
003	994-61050-164	HEX. HOLE BOLT 5X16S	4	
004	017-07020-20	CYLINDER GASKET	1	
005	041-07020-20	PISTON RING 34.5	2	
006	030-07020-91	PISTON SET	1	
007	037-07020-20	PISTON PIN	1	
008	039-00000-20	PISTON PIN CIRCLIP	2	
011	046-0703A-81	CRANK SHAFT COMP.	1	
012	999-62091-325	NEEDLE BRG F-910 1.4X8.5	1	
013	068-10100-20	WOOD-RUFF KEY 3X13X4.5	1	
030	994-64040-184	HEX. HOLE BOLT 4X18WS	2	
033	250-07020-20	INSULATOR TUBE, 110L	1	
043	167-20549-80	IGNITION COIL COMP	1	
050	167-20549-91	IGNITION COIL ASS'Y	1	
055	178-20549-20	HIGH TENSION CORD 140L	1	
056	560-20517-20	RUBBER CAP	1	
057	191-07025-90	REED WIRE ASS'Y	1	
060	182-0186A-20	WASHER	2	

B36-02**CG28EJ(SL) CRANK CASE**

REF. NUMBER	PARTS NUMBER	DESCRIPTION	Q'TY	SERIAL NUMBER
014	072-07020-90	CRANK CASE ASS'Y	1	
015	999-66122-200	OIL SEAL TB 12227	2	
016	999-61600-115	BALL BEARING 6001 C3	2	
017	090-07020-20	CRANK CASE GASKET	1	
018	330-00200-21	GEAR SHAFT SHIM 0.10	V	
018	330-00200-22	GEAR SHAFT SHIM 0.15	V	
018	330-00200-23	GEAR SHAFT SHIM 0.20	V	
018	330-00200-24	GEAR SHAFT SHIM 0.30	V	
024	155-20546-80	MAGNETO ROTOR COMP.	1	
025	991-01080-011	HEX. NUT 8	1	
027	992-00080-011	SMALL WASHER 8	1	
032	994-61050-164	HEX. HOLE BOLT 5X16S	3	

B36-03

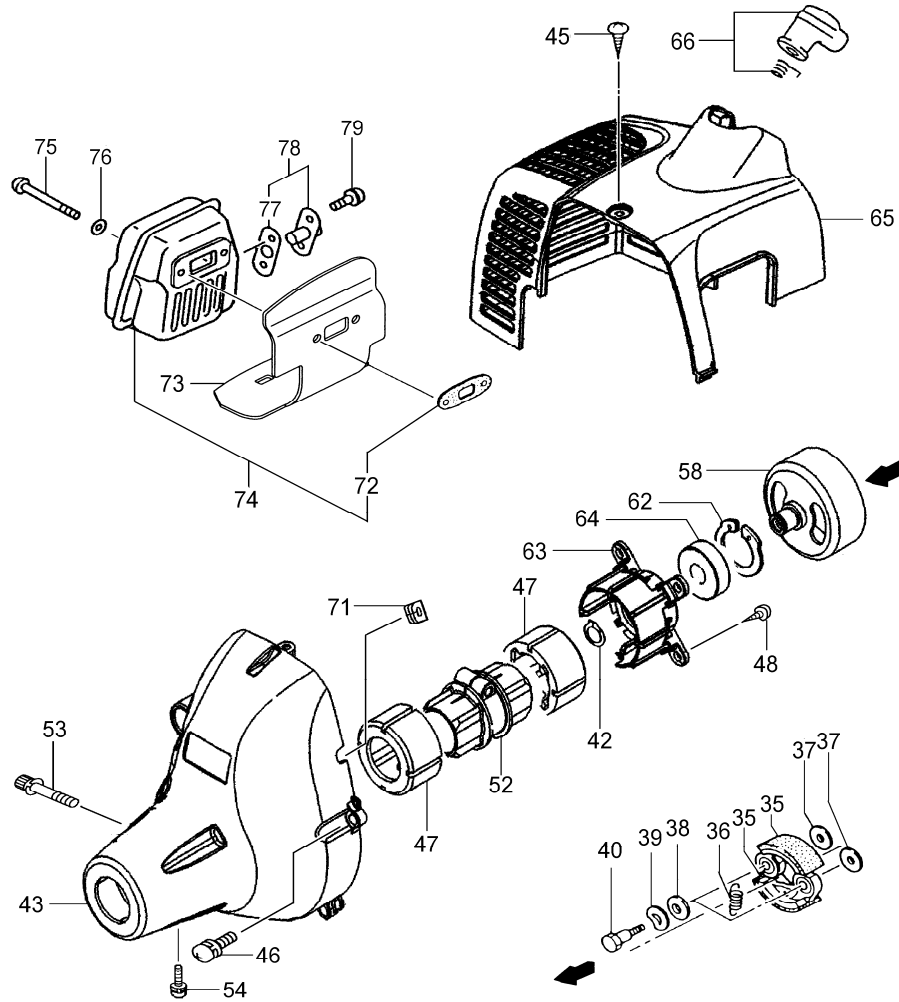
CG28EJ(SL) ENGINE-1



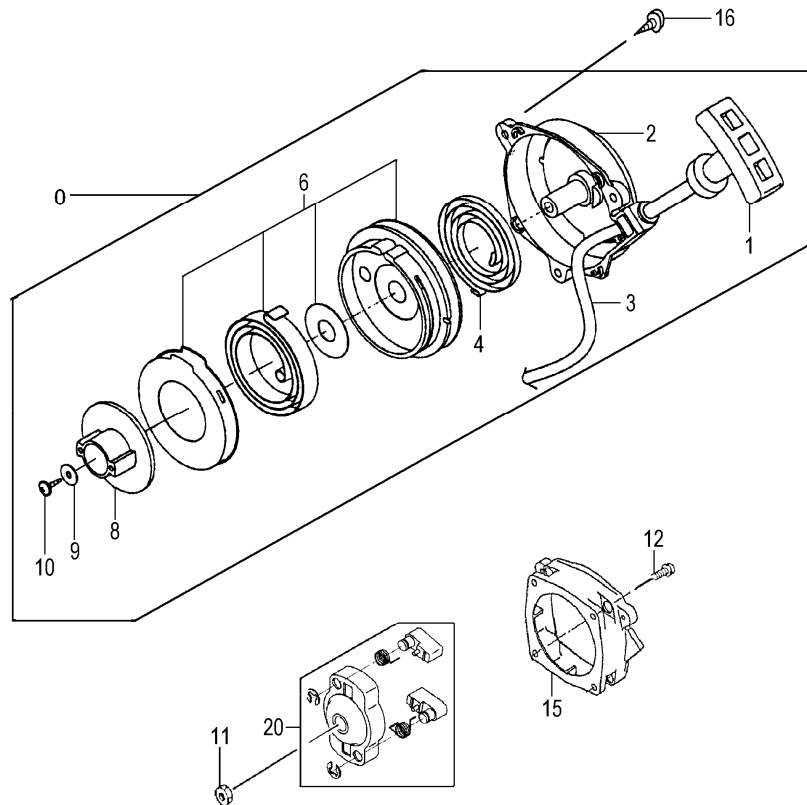
REF. NUMBER	PARTS NUMBER	DESCRIPTION	Q'TY	SERIAL NUMBER
080	403-07020-21	INLET MANIFOLD GASKET	1	
081	404-07020-91	INSULATOR SET	1	
082	994-64050-254	HEX. HOLE BOLT 5X25WS	2	
085	402-0656A-20	CARBURETOR GASKET	1	
086	528-07020-22	CHOKE PLATE 1.0	1	
088	423-0652N-80	CLEANER BODY COMP.	1	
089	446-0652N-20	CLEANER SPONGE	1	
090	452-07035-90	CLEANER COVER ASS'Y	1	
091	450-07024-80	COVER FIXING BOLT	1	
094	990-11050-552	SCREW 5X55	2	
095	992-10050-012	S.WASHER 5	2	
096	992-00050-011	SMALL WASHER 5	2	
098	455-07025-90	CARBURETOR SET WYJ391	1	
099	523-0652N-20	CHOKE CONTROL LEVER	1	
100	591-07034-80	TANK COMP. OR	1	
109	659-04300-20	COLLAR C	3	
110	222-06300-20	FUEL PIPE GROMMET	1	
111	700-03005-08	FUEL PIPE 3X5X80	1	
112	675-04042-80	PUMP FILTER BODY COMP	1	
113	680-00731-20	CLIP, 6.3 DIA.	1	
114	223-0162V-90	FUEL PIPE ASS'Y	1	
116	994-63050-205	HEX HOLE BOLT 5X20PS	3	
117	595-01690-90	TANK CAP ASS'Y (BLACK)	1	
118	990-75040-154	TAPPING SCREW 4X15	1	
119	992-01040-011	WASHER 4	1	
120	941-07035-20	STAND	1	
200	626-32550-20	TANK CAP CHAIN	1	

B36-04

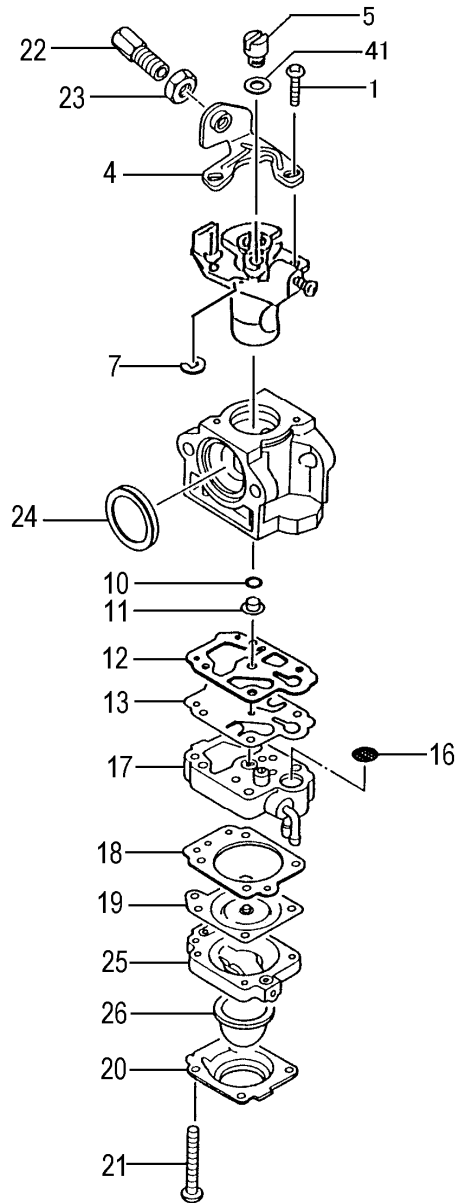
CG28EJ(SL) ENGINE-2



REF. NUMBER	PARTS NUMBER	DESCRIPTION	Q'TY	SERIAL NUMBER
035	290-06410-80	CLUTCH SHOE COMP.,T-16	2	
036	342-06410-20	CLUTCH SPRING	1	
037	359-02103-20	CLUTCH WASHER B	2	
038	348-0630A-20	CLUTCH PLATE A 0.5	2	
039	992-05080-030	BENT WASHER 8	2	
040	357-00601-20	STEP BOLT	2	
042	993-50012-002	STOP RING C-12, OUTER	1	
043	112-07021-81	FAN CASE COMP.	1	
045	990-73045-124	TAPPING SCREW 4.5X12	1	
046	994-64050-154	HEX. HOLE BOLT 5X15WS	4	
047	599-07020-20	ANTI-VIBE RUBBER	2	
048	990-72050-144	TAPPING SCREW 5X14	4	
052	360-07030-20	PIPE HOLDER	1	
053	994-61050-254	HEX. HOLE BOLT 5X25/S	1	
054	994-61040-124	HEX. HOLE BOLT 4X12S	1	
058	289-07020-80	CLUTCH SHAFT COMP.	1	
062	993-53032-002	STOP RING R-32 INNER	1	
063	088-07020-20	BEARING CASE	1	
064	999-61620-101	BALL BEARING #6201ZZ, 32	1	
065	738-07021-20	MUFFLER PROTECTOR	1	
066	157-01570-90	SPARK PLUG CAP ASS'Y	1	
071	203-11660-20	PRIMARY CORD GROMMET	1	
072	737-0165A-20	MUFFLER GASKET	1	
073	133-07020-21	HEAT SHIELD	1	
074	704-07020-90	MUFFLER SET	1	
075	990-51060-553	HEX HOLE BOLT 6X55	2	
076	992-01060-011	WASHER 6	2	
077	751-07020-20	MUFFLER SPECIAL GASKE	1	
078	721-07020-90	TAIL PIPE SET	1	
079	994-14040-081	SCREW 4X8/S	2	

B36-05**CG28EJ(SL) RECOIL STARTER**

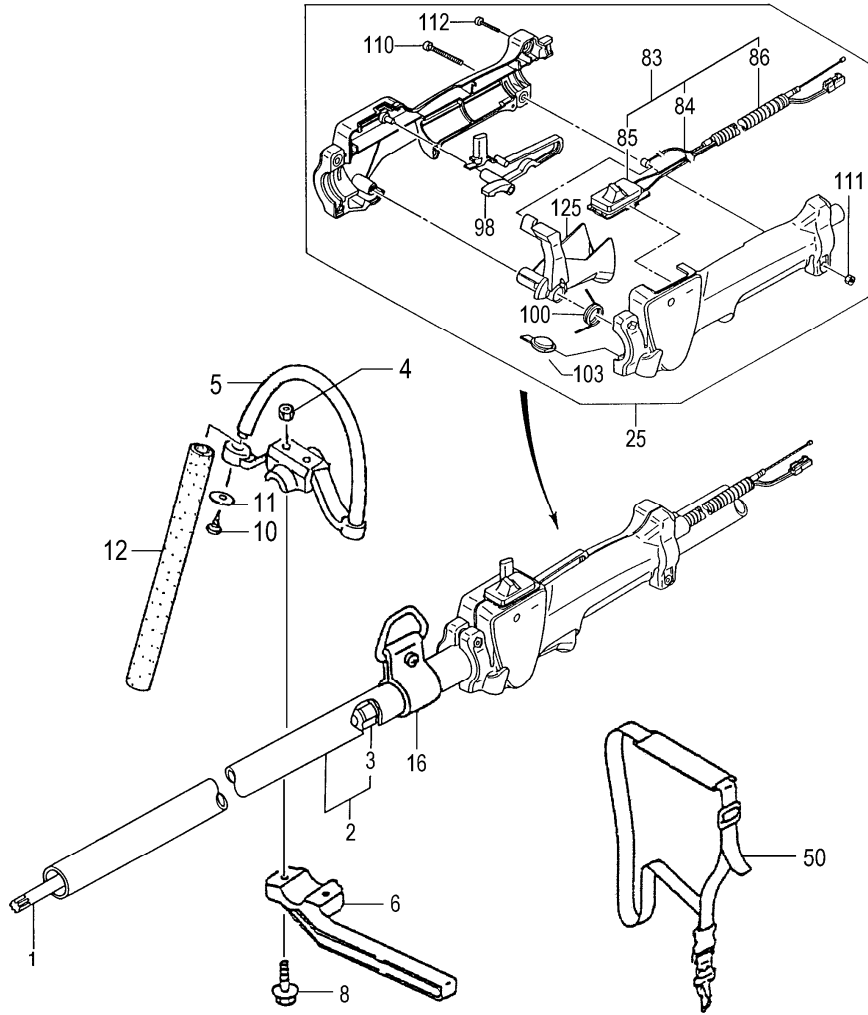
REF. NUMBER	PARTS NUMBER	DESCRIPTION	Q'TY	SERIAL NUMBER
000	762-07027-90	RECOIL STARTER BODY AS	1	
001	785-07085-20	STARTER HANDLE	1	
002	772-07085-80	RECOIL STARTER BODY C	1	
003	783-07085-20	RECOIL ROPE	1	
004	780-07085-20	RECOIL SPRING	1	
006	778-07085-91	SPRING CASE ASS'Y	1	
008	774-07027-20	STARTER PULLEY	1	
009	182-07085-20	SPECIAL WASHER 5.2X15	1	
010	990-72050-144	TAPPING SCREW 5X14	1	
011	991-01080-011	HEX. NUT 8	1	
012	994-64040-185	HEX. HOLE BOLT 4X18WS	4	
015	806-07027-20	STARTER BASE	1	
016	990-73045-144	TAPPING SCREW 4.5X14	3	
020	798-07085-90	STARTER PULLEY ASS'Y	1	

B36-06**CG28EJ(SL) CARBURETOR**

REF. NUMBER	PARTS NUMBER	DESCRIPTION	Q'TY	SERIAL NUMBER
001	514-25100-20	THROTTLE SET SCREW	2	
004	544-25164-20	CABLE ADJUSTER STAY	1	
005	539-25120-20	SWIVEL	1	
007	489-25100-20	STOP RING	1	
010	550-25100-20	O-RING	1	
011	599-2000W-43	MAIN JET #43	1	
012	577-25100-20	PUMP GASKET	1	
013	576-25100-20	PUMP DIAPHRAGM	1	
016	578-25007-20	INLET SCREEN	1	
017	575-25153-80	PUMP BODY COMP	1	
018	475-25153-20	DIAPHRAGM GASKET	1	
019	474-25001-80	METERING DIAPHRAGM CO	1	
020	476-25151-20	DIAPHRAGM COVER	1	
021	548-25151-20	SET SCREW	4	
022	614-25137-20	CABLE ADJUSTER	1	
023	613-25100-20	CABLE ADJUST NUT	1	
024	431-0634C-20	CLEANER PACKING	1	
025	442-25151-80	PRIMING PUMP COMP.	1	
026	447-25108-20	PRIMING BODY	1	
041	549-25165-20	THRUST WASHER	1	

B36-07

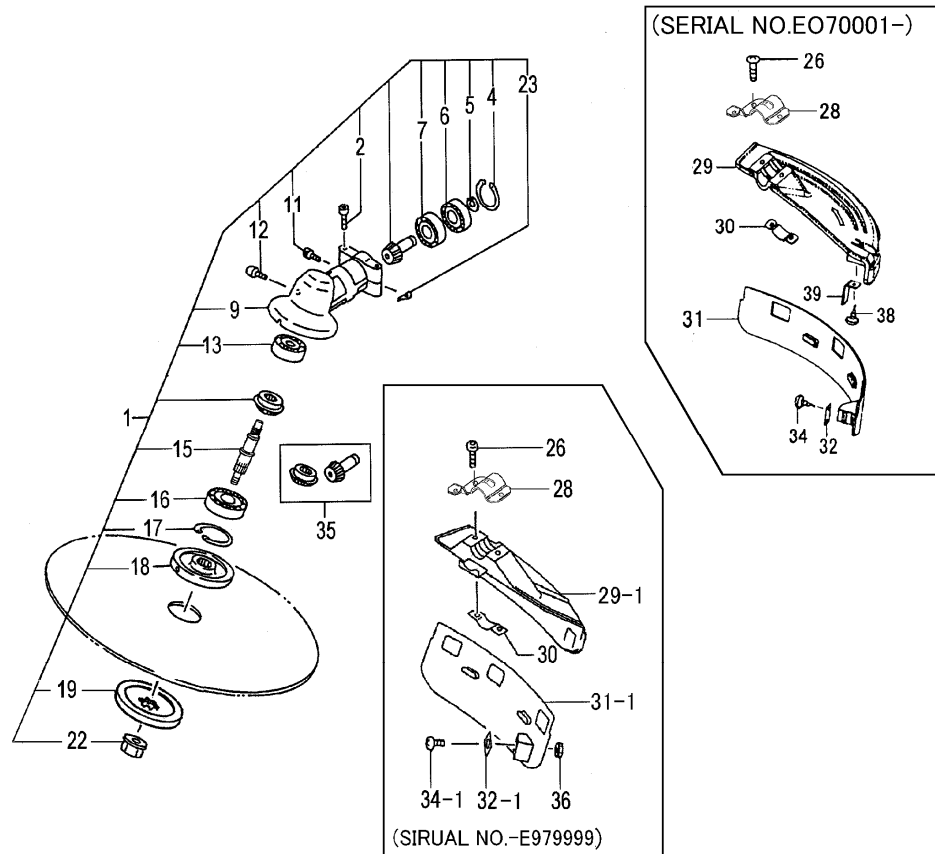
CG28EJ(SL) OPERATION PIPE



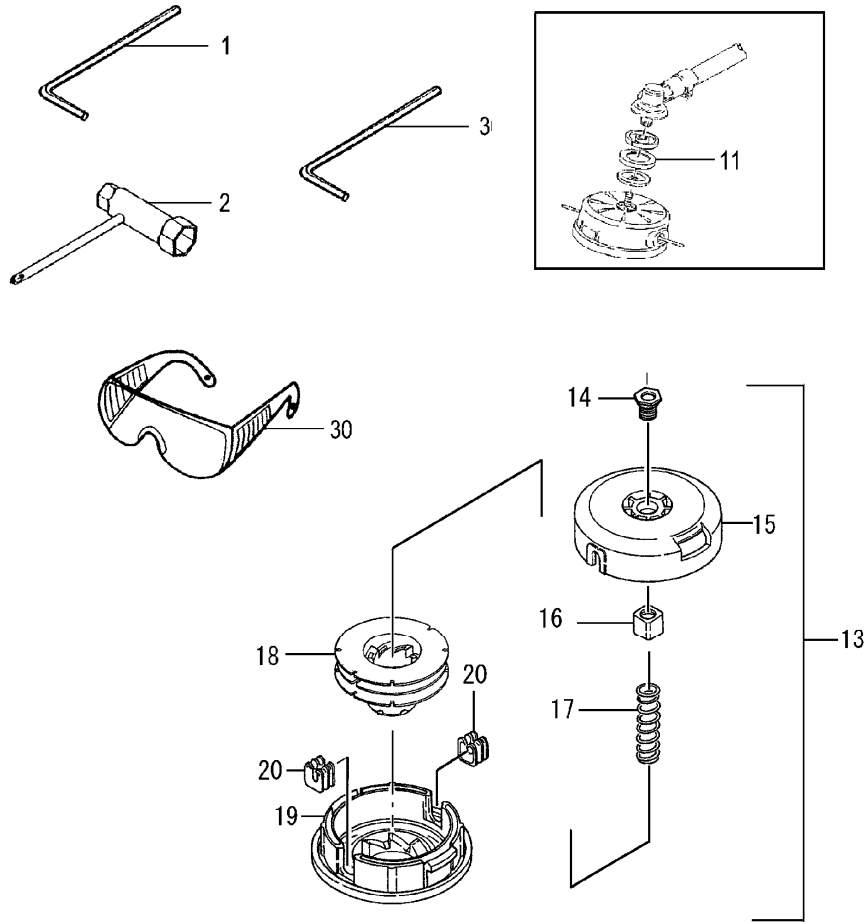
REF. NUMBER	PARTS NUMBER	DESCRIPTION	Q'TY	SERIAL NUMBER
001	343-38302-20	DRIVE SHAFT 1533L	1	
002	341-38300-81	DRIVE SHAFT PIPE COMP	1	
003	347-37356-90	BUSHING ASS'Y	5	
004	991-01060-041	HEX. NUT 6	2	
005	500-3738E-20	LOOP HANDLE, 26DIA., BLA	1	
006	520-33398-20	BARRIER, 26DIA, BLACK	1	
008	994-23060-432	BOLT 6X43/P	2	
010	993-11052-012	TAPPING SCREW 5X20	1	
011	368-32350-20	BRAKE SHAFT WASHER	1	
012	503-3738E-20	HANDLE GRIP	1	
016	335-37378-90	LIFTING METAL ASS'Y	1	
025	870-37588-90	THROTTLE LEVER ASS'Y, 2	1	
050	746-3738F-90	SHOULDER BELT ASS'Y, SI	1	
083	885-38400-80	THROTTLE WIRE COMP.	1	
084	887-38400-80	THROTTLE WIRE	1	
085	156-38400-80	STOP SWITCH COMP.	1	
086	164-07017-50	PROTECTION TUBE 7X175	1	
098	253-38400-20	SAFETY LEVER	1	
100	832-38400-20	RETURN SPRING	1	
103	322-38400-20	BLIND PLUG	1	
110	994-31050-203	SCREW 5X20	2	
111	991-01050-043	CONTAL NUT 5	2	
112	993-46040-202	SCREW 4X20, BLACK	4	
125	880-38400-20	THROTTLE LEVER	1	

B36-08

CG28EJ(SL) GEAR CASE



REF. NUMBER	PARTS NUMBER	DESCRIPTION	Q'TY	SERIAL NUMBER
001	300-3338R-90	GEAR CASE ASS'Y,26 DIA.	1	
002	994-61050-254	HEX. HOLE BOLT 5X25/S	2	
004	993-51026-002	STOP RING C-26, INNER	1	
005	993-57010-002	STOP RING OUTER 10	1	
006	999-61600-002	BALL BEARING #6000Z, 26M	1	
007	999-61600-000	BALL BEARING #6000, 26M	1	
009	300-37480-20	GEAR CASE 26 DIA	1	
011	994-61050-124	HEX. HOLE BOLT 5X12S	1	
012	316-38150-20	OILING BOLT	1	
013	999-61609-000	BALL BEARING 609	1	
015	304-3338R-20	GEAR SHAFT	1	
016	999-61620-103	BALL BEARING 6201D, 32M	1	
017	993-51032-002	STOP RING C-32, INNER	1	
018	310-38150-20	CUTTER HOLDER	1	
019	311-38150-20	CUTTER HOLDER CAP	1	
022	313-38150-20	FIXING NUT M10X1.25	1	
023	324-38150-20	GEAR CASE WASHER	1	
026	994-81060-254	HEX. HOLE BUTTON SCREW	2	
028	442-38331-20	COVER BRACKET 26	1	
029,1	441-37380-21	BLADE GUARD 26 CE	1	E979999
029	441-38331-20	BLADE GUARD 26CE	1	EO70001 -
030	445-37380-20	SAFETY COVER HOLDER	1	
031,1	447-37380-20	COVER GUARD	1	E979999
031	447-38331-20	COVER GUARD	1	EO70001 -
032,1	797-37380-21	KNIFE	1	E979999
032	797-37714-20	KNIFE	1	EO70001 -
034,1	994-14050-121	SCREW 5X12/S	1	E979999
034	993-48040-142	TAPPING SCREW 4X14P	1	EO70001 -
035	301-37480-00	GEAR/PINION SET, SPARE	1	
036	991-01050-011	HEX. NUT 5	1	E979999
038	993-17052-002	TAPPING SCREW 5X20	1	EO70001 -
039	797-38331-20	KNIFN	1	EO70001 -



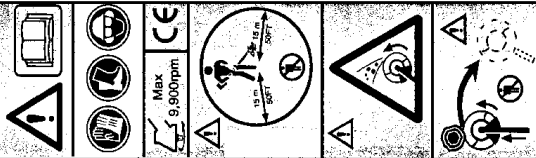
REF. NUMBER	PARTS NUMBER	DESCRIPTION	Q'TY	SERIAL NUMBER
001	813-20000-20	HEX. WRENCH 4	1	
002	826-20000-80	COMBI, BOX WRENCH 17X	1	
003	812-20000-20	HEX. WRENCH 3	1	
011	307-37307-20	WINDING PROTECTOR	1	
013	783-33832-90	NYLON HEAD/SURE TAP, M	1	
014	356-3383B-20	MOUNTING NUT L-M10X1.2	1	
015	786-33830-20	CUTTING BODY	1	
016	315-33830-20	SPECIAL NUT	1	
017	793-33830-20	REEL SPRING	1	
018	787-33830-20	SPOOL	1	
019	789-33830-20	CUTTING BODY CAP	1	
020	788-33830-20	EYELET	2	
030	541-37590-20	PROTECTION GLASSES	1	

B36-10**CG28EJ(SL) LABELS****CG 28EJ(SL)**

2

Sstart

1

Hitachi Koki
MADE IN JAPAN**HITACHI**

8

REF. NUMBER	PARTS NUMBER	DESCRIPTION	Q'TY	SERIAL NUMBER
001	915-07182-21	STARTER MARK	1	
002	929-07218-20	SYMBOL MARK CG28EJ(SL)	1	
008	919-38515-20	CAUTION MARK 9900RPM	1	