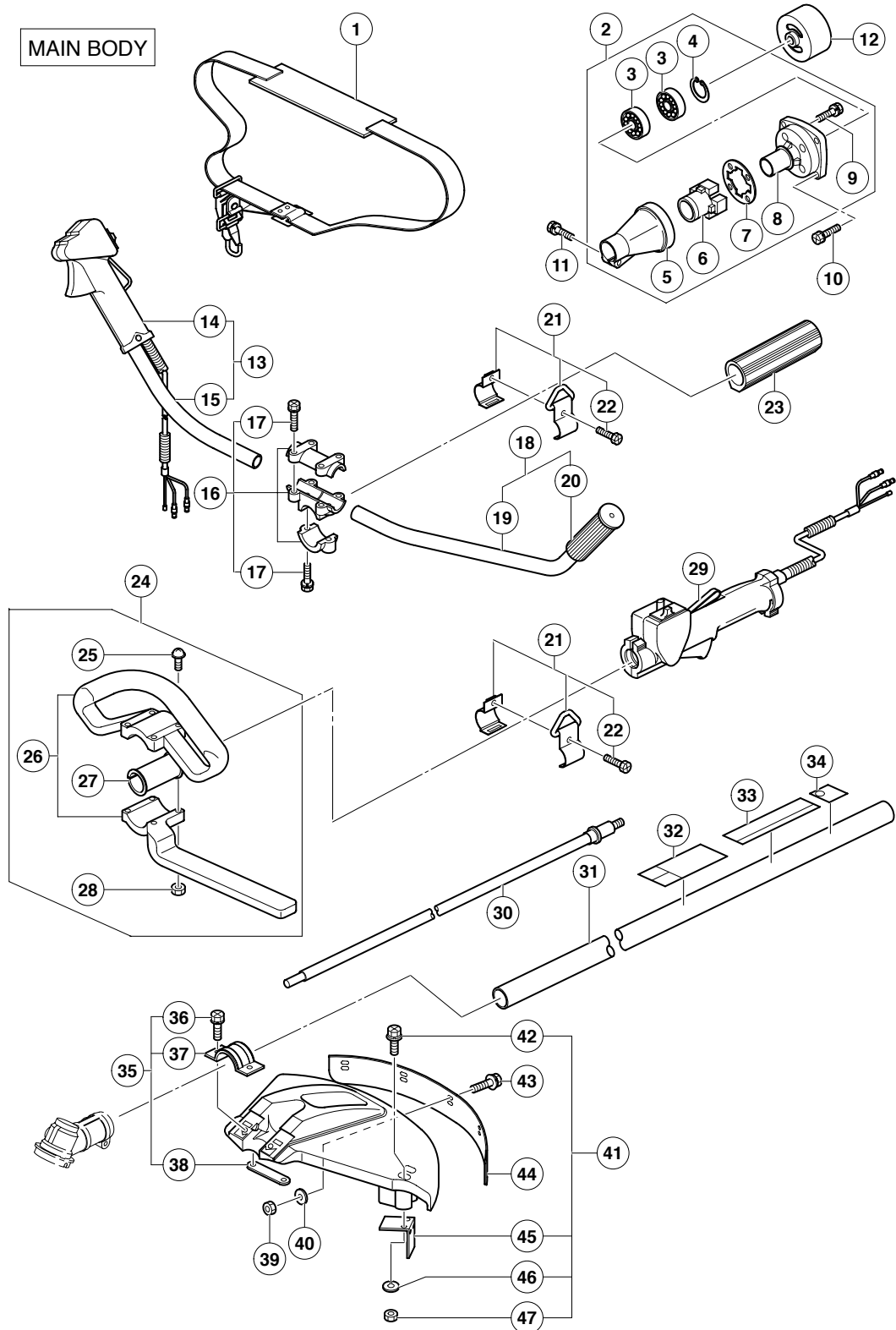


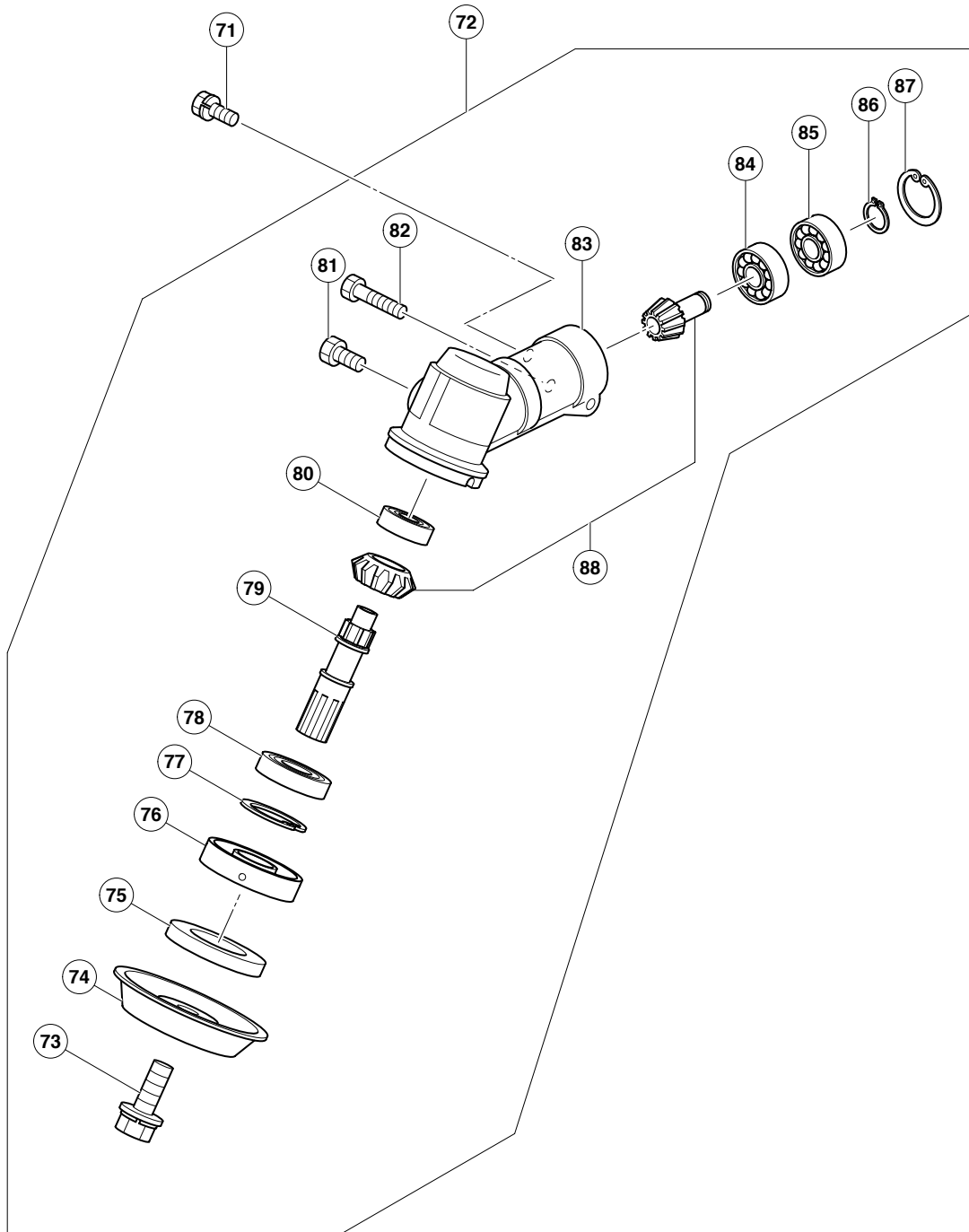
## ENGINE TOOL PARTS LIST

■ BRUSH CUTTER  
Model CG 32EA

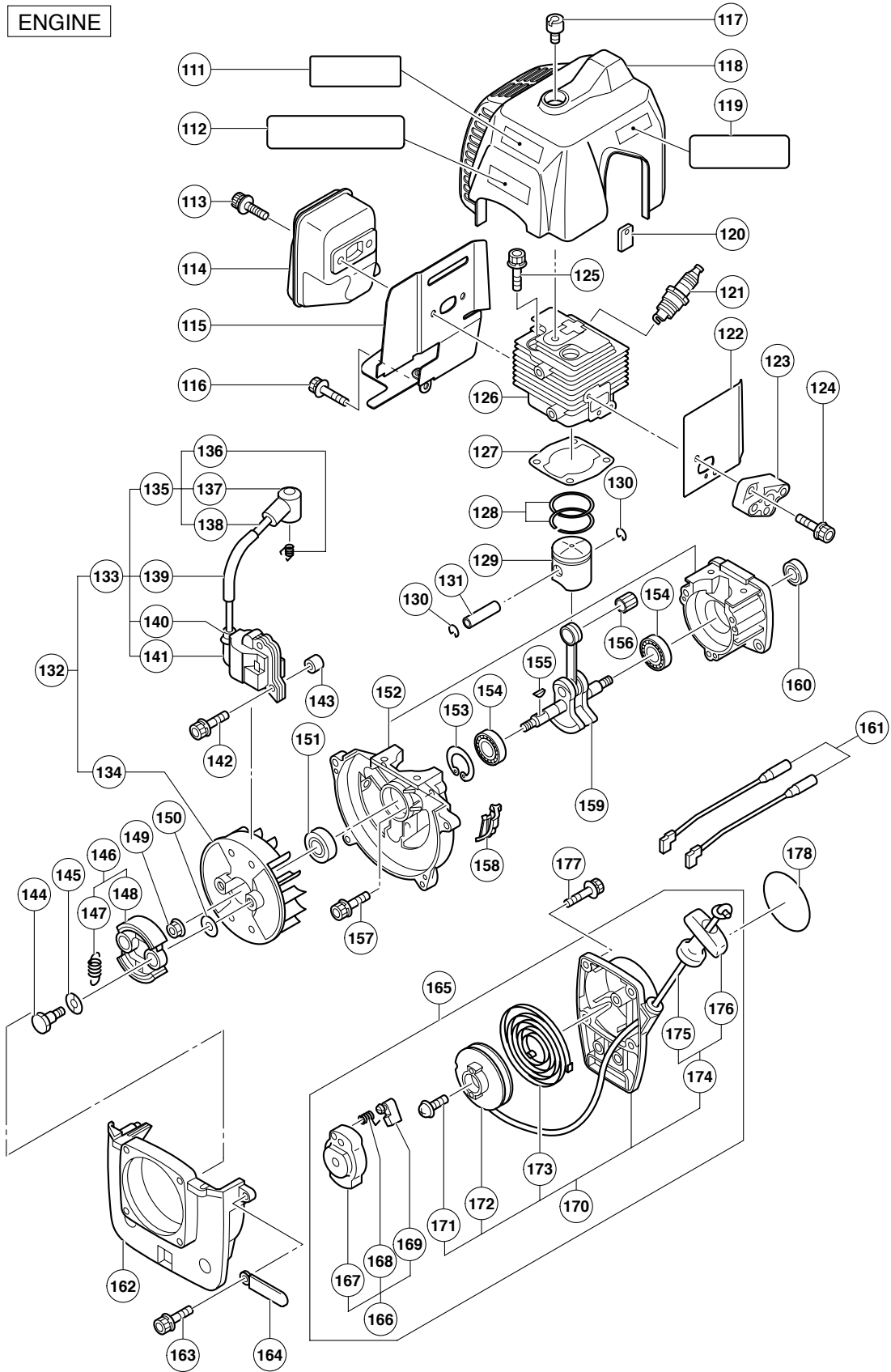
2005 · 2 · 25  
(E1)



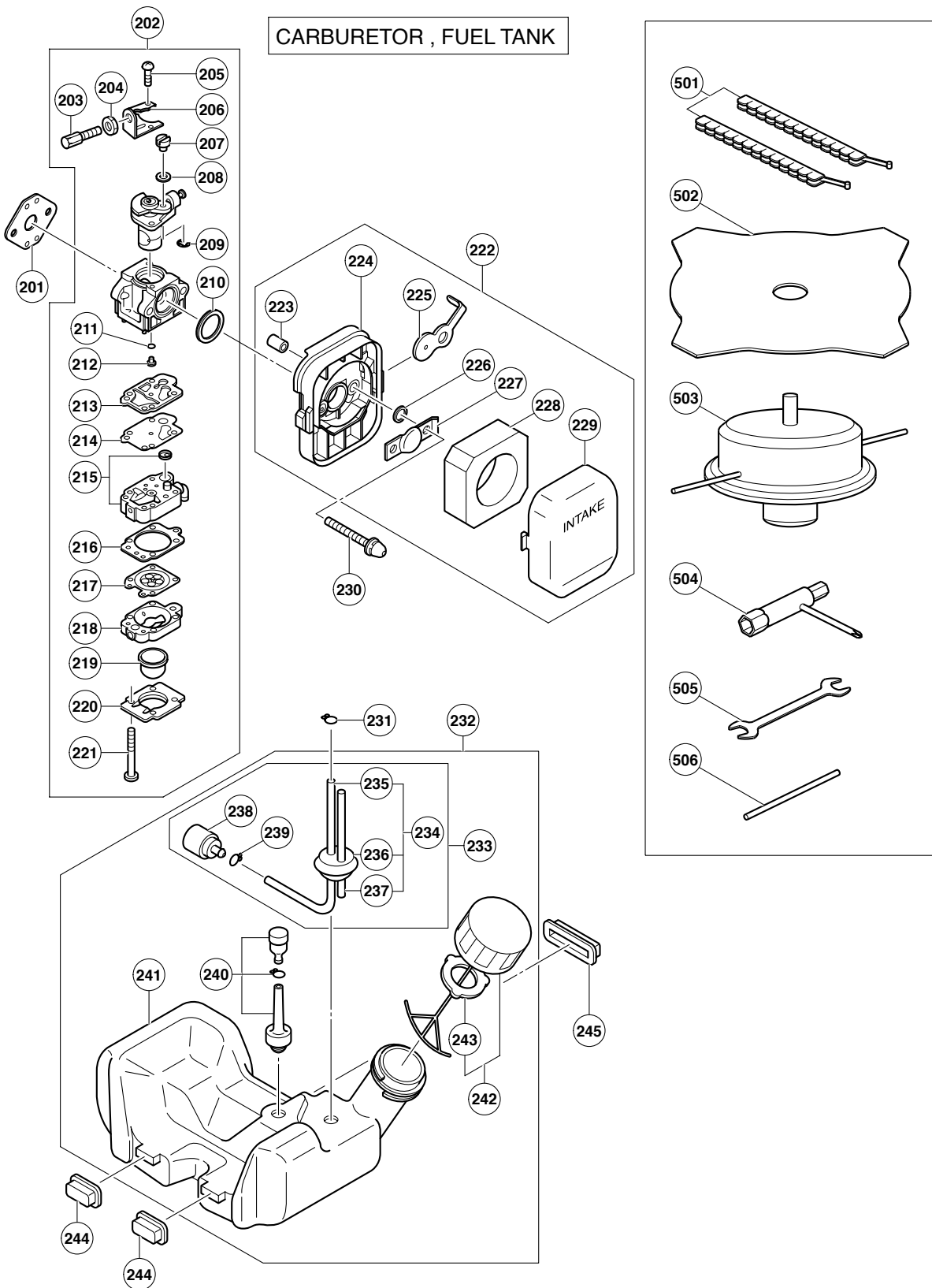
GEAR CASE



ENGINE



CARBURETOR , FUEL TANK



**PARTS**

CG 32EA

| ITEM NO. | CODE NO. | DESCRIPTION                | NO. USED | REMARKS                        |
|----------|----------|----------------------------|----------|--------------------------------|
|          |          | MAIN BODY                  |          |                                |
| 1        | 683-002  | HANGING STRAP              | 1        |                                |
| 2        | 683-125  | CLUTCH CASE ASS'Y          | 1        | INCLUD. 3-9                    |
| 3        | 683-127  | BEARING 6000ZZ             | 2        |                                |
| 4        | 683-128  | SNAP RING H26              | 1        |                                |
| 5        | 683-132  | DRIVE SHAFT TUBE ADAPTER   | 1        |                                |
| 6        | 683-129  | BUFFER                     | 1        |                                |
| 7        | 683-130  | WASHER                     | 1        |                                |
| 8        | 683-126  | BEARING CASE               | 1        |                                |
| 9        | 683-131  | SCREW (W/SP. WASHER) M5X15 | 4        |                                |
| 10       | 683-001  | BOLT (W/WASHERS) M5X20     | 4        |                                |
| 11       | 683-014  | BOLT (W/SP. WASHER) M5X25  | 1        |                                |
| 12       | 682-981  | CLUTCH DRUM                | 1        |                                |
| * 13     | 683-140  | HANDLE (B) ASS'Y           | 1        | INCLUD. 14, 15 FOR CG 32EA     |
| * 14     | 683-142  | THROTTLE TRIGGER           | 1        | FOR CG 32EA                    |
| * 15     | 683-141  | HANDLE (B)                 | 1        | FOR CG 32EA                    |
| * 16     | 683-136  | HANDLE BRACKET ASS'Y       | 1        | INCLUD. 17 FOR CG 32EA         |
| * 17     | 683-014  | BOLT (W/SP. WASHER) M5X25  | 6        | FOR CG 32EA                    |
| * 18     | 683-137  | HANDLE (A) ASS'Y           | 1        | INCLUD. 19, 20 FOR CG 32EA     |
| * 19     | 683-138  | HANDLE (A)                 | 1        | FOR CG 32EA                    |
| * 20     | 683-139  | HANDLE GRIP                | 1        | FOR CG 32EA                    |
| 21       | 682-985  | HANGING BRACKET ASS'Y      | 1        | INCLUD. 22                     |
| 22       | 682-986  | BOLT M5X15                 | 1        |                                |
| * 23     | 683-135  | SHAFT GRIP                 | 1        | FOR CG 32EA                    |
| * 24     | 682-987  | LOOP HANDLE ASS'Y          | 1        | INCLUD. 25-28 FOR CG 32EA (SL) |
| * 25     | 682-990  | SCREW (W/SP. WASHER) M5X28 | 4        | FOR CG 32EA (SL)               |
| * 26     | 682-988  | LOOP HANDLE                | 1        | FOR CG 32EA (SL)               |
| * 27     | 682-989  | PACKING (A)                | 1        | FOR CG 32EA (SL)               |
| * 28     | 949-555  | NUT M5 (10 PCS.)           | 4        | FOR CG 32EA (SL)               |
| * 29     | 683-147  | THROTTLE TRIGGER           | 1        | FOR CG 32EA (SL)               |
| 30       | 683-133  | DRIVE SHAFT                | 1        |                                |
| * 31     | 683-134  | DRIVE SHAFT TUBE           | 1        | FOR CG 32EA                    |
| * 31     | 683-146  | DRIVE SHAFT TUBE           | 1        | FOR CG 32EA (SL)               |
| 32       |          | CAUTION LABEL (A)          | 1        |                                |
| 33       |          | HITACHI LABEL              | 1        |                                |
| 34       |          | NOISE LABEL (B)            | 1        |                                |
| 35       | 683-143  | SAFETY GUARD ASS'Y         | 1        | INCLUD. 36-38                  |
| 36       | 682-994  | BOLT (W/SP. WASHER) M6X30  | 2        |                                |
| 37       | 683-144  | BRACKET                    | 1        |                                |
| 38       | 683-145  | THREADED BRACKET           | 1        |                                |
| 39       | 949-555  | NUT M5 (10 PCS.)           | 5        |                                |
| 40       | 683-000  | PLANE WASHER               | 5        |                                |
| 41       | 682-995  | STRING CUTTER ASS'Y        | 1        | INCLUD. 42, 45-47              |
| 42       | 682-997  | BOLT (W/WASHER) M5X25      | 2        |                                |
| 43       | 682-999  | BOLT (W/WASHERS) M5X15     | 5        |                                |
| 44       | 682-998  | EXTENSION                  | 1        |                                |
| 45       | 682-996  | STRING CUTTER              | 1        |                                |
| 46       | 949-454  | SPRING WASHER M5 (10 PCS.) | 2        |                                |
| 47       | 949-555  | NUT M5 (10 PCS.)           | 2        |                                |
|          |          | GEAR CASE                  |          |                                |
| 71       | 683-019  | BOLT M5X12                 | 1        |                                |

## PARTS

CG 32EA

| ITEM NO. | CODE NO. | DESCRIPTION                      | NO. USED | REMARKS              |
|----------|----------|----------------------------------|----------|----------------------|
| 72       | 683-148  | GEAR CASE ASS'Y                  | 1        | INCLUD. 73-88        |
| 73       | 683-018  | BOLT (LEFT HAND) W/WASHERS M8X22 | 1        |                      |
| 74       | 683-017  | STABILIZER                       | 1        |                      |
| 75       | 683-016  | CLAMPING WASHER                  | 1        |                      |
| 76       | 683-015  | BOSS ADAPTER                     | 1        |                      |
| 77       | 683-010  | SNAP RING H28                    | 1        |                      |
| 78       | 683-009  | BEARING 60012RK                  | 1        |                      |
| 79       | 683-153  | BLADE SHAFT                      | 1        |                      |
| 80       | 683-151  | BEARING 608                      | 1        |                      |
| 81       | 683-150  | BOLT M8X10 (BLACK)               | 1        |                      |
| 82       | 683-014  | BOLT (W/SP. WASHER) M5X25        | 1        |                      |
| 83       | 683-149  | GEAR CASE                        | 1        |                      |
| 84       | 683-154  | BEARING 609                      | 1        |                      |
| 85       | 683-011  | BEARING 609Z                     | 1        |                      |
| 86       | 683-012  | SNAP RING H9                     | 1        |                      |
| 87       | 683-013  | SNAP RING H24                    | 1        |                      |
| 88       | 683-152  | GEAR SET                         | 1        |                      |
|          |          | ENGINE                           |          |                      |
| 111      |          | EMISSION LABEL (B)               | 1        |                      |
| 112      |          | CAUTION LABEL (B)                | 1        |                      |
| 113      | 683-164  | CAP SCREW M5X55                  | 2        |                      |
| 114      | 683-161  | MUFFLER COMP.                    | 1        |                      |
| 115      | 683-162  | GASKET COMP.                     | 1        |                      |
| 116      | 683-033  | CAP SCREW M5X16                  | 1        |                      |
| 117      | 683-166  | KNOB                             | 1        |                      |
| 118      | 683-165  | TOP COVER                        | 1        |                      |
| 119      | 683-351  | CE LABEL                         | 1        |                      |
| 120      | 683-181  | GROMMET                          | 1        |                      |
| 121      | 683-068  | SPARK PLUG (R)                   | 1        |                      |
| 122      | 683-160  | AIR DUCT                         | 1        |                      |
| 123      | 683-159  | INSULATOR                        | 1        |                      |
| 124      | 683-029  | SCREW M5X25                      | 2        |                      |
| 125      | 683-087  | CAP SCREW M5X20                  | 4        |                      |
| 126      | 683-157  | CYLINDER                         | 1        |                      |
| 127      | 683-158  | GASKET (F)                       | 1        |                      |
| 128      | 683-172  | PISTON RING                      | 2        |                      |
| 129      | 683-171  | PISTON                           | 1        |                      |
| 130      | 683-175  | CLIP (PISTON PIN)                | 2        |                      |
| 131      | 683-173  | PISTON PIN                       | 1        |                      |
| 132      | 683-054  | MAGNETO ASS'Y                    | 1        | INCLUD. 133, 134     |
| 133      | 683-056  | IGNITION COIL ASS'Y              | 1        | INCLUD. 135, 139-141 |
| 134      | 683-055  | ROTOR-FAN                        | 1        |                      |
| 135      | 683-058  | CORD ASS'Y                       | 1        | INCLUD. 136-138      |
| 136      | 683-061  | CONNECTOR                        | 1        |                      |
| 137      | 683-060  | PLUG CAP                         | 1        |                      |
| 138      | 683-059  | CORD                             | 1        |                      |
| 139      | 683-063  | TUBE                             | 1        |                      |
| 140      | 683-062  | CAP                              | 1        |                      |
| 141      | 683-057  | COIL                             | 1        |                      |
| 142      | 683-067  | CAP SCREW M4X25                  | 2        |                      |
| 143      | 683-066  | SPACER                           | 2        |                      |

# PARTS

CG 32EA

| ITEM NO. | CODE NO. | DESCRIPTION           | NO. USED | REMARKS          |
|----------|----------|-----------------------|----------|------------------|
| 144      | 683-050  | SPECIAL BOLT M6       | 2        |                  |
| 145      | 683-052  | WAVE WASHER           | 2        |                  |
| 146      | 683-177  | CLUTCH ASS'Y          | 1        | INCLUD. 147, 148 |
| 147      | 683-179  | SPRING CLUTCH         | 1        |                  |
| 148      | 683-178  | CLUTCH SHOE           | 2        |                  |
| 149      | 683-065  | NUT M8                | 1        |                  |
| 150      | 683-051  | WASHER                | 2        |                  |
| 151      | 683-169  | OIL SEAL (C)          | 1        |                  |
| 152      | 683-167  | CRANK CASE            | 1        |                  |
| 153      | 683-170  | SNAP RING H32         | 1        |                  |
| 154      | 683-168  | BEARING 201C3         | 2        |                  |
| 155      | 683-064  | WOODRUFF KEY          | 1        |                  |
| 156      | 683-174  | NEEDLE BEARING        | 1        |                  |
| 157      | 683-040  | CAP SCREW M5X30       | 3        |                  |
| 158      | 683-194  | SCREEN                | 1        |                  |
| 159      | 683-176  | CRANK SHAFT           | 1        |                  |
| 160      | 683-039  | OIL SEAL (B)          | 1        |                  |
| 161      | 683-069  | LEAD                  | 2        |                  |
| 162      | 683-180  | FAN COVER             | 1        |                  |
| 163      | 683-087  | CAP SCREW M5X20       | 4        |                  |
| 164      | 683-088  | CLAMP                 | 1        |                  |
| 165      | 683-182  | RECOIL STARTER ASS'Y  | 1        | INCLUD. 166, 170 |
| 166      | 683-190  | STARTER PULLEY ASS'Y  | 1        | INCLUD. 167-169  |
| 167      | 683-193  | STARTER PULLEY        | 1        |                  |
| 168      | 683-192  | RETURN SPRING         | 1        |                  |
| 169      | 683-191  | RATCHET               | 1        |                  |
| 170      | 683-183  | RECOIL ASS'Y          | 1        | INCLUD. 171-174  |
| 171      | 683-189  | SPECIAL SCREW         | 1        |                  |
| 172      | 683-188  | REEL                  | 1        |                  |
| 173      | 683-187  | SPIRAL SPRING         | 1        |                  |
| 174      | 683-184  | ROPE ASS'Y            | 1        | INCLUD. 175, 176 |
| 175      | 683-186  | ROPE                  | 1        |                  |
| 176      | 683-185  | STARTER GRIP          | 1        |                  |
| 177      | 683-163  | CAP SCREW M4X16       | 4        |                  |
| 178      |          | NAME PLATE            | 1        |                  |
|          |          | CARBURETOR, FUEL TANK |          |                  |
| 201      | 683-104  | GASKET (E)            | 1        |                  |
| 202      | 683-195  | CARBURETOR ASS'Y      | 1        | INCLUD. 203-221  |
| 203      | 683-199  | SCREW                 | 1        |                  |
| 204      | 683-083  | NUT M6                | 1        |                  |
| 205      | 683-197  | SCREW M3X10           | 2        |                  |
| 206      | 683-198  | BRACKET               | 1        |                  |
| 207      | 683-102  | SWIVEL                | 1        |                  |
| 208      | 683-201  | WASHER M4.85          | 1        |                  |
| 209      | 683-101  | RING                  | 1        |                  |
| 210      | 683-200  | FRAME                 | 1        |                  |
| 211      | 683-090  | O-RING (I.D. 1.8)     | 1        |                  |
| 212      | 683-196  | JET MAIN              | 1        |                  |
| 213      | 683-092  | GASKET (C)            | 1        |                  |
| 214      | 683-093  | DIAPHRAGM             | 1        |                  |
| 215      | 683-094  | PUMP BODY             | 1        |                  |

## PARTS

CG 32EA

| ITEM NO. | CODE NO. | DESCRIPTION         | NO. USED | REMARKS               |
|----------|----------|---------------------|----------|-----------------------|
| 216      | 683-095  | GASKET (D)          | 1        |                       |
| 217      | 683-096  | DIAPHRAGM           | 1        |                       |
| 218      | 683-097  | PURGE BODY          | 1        |                       |
| 219      | 683-098  | PRIMER PUMP         | 1        |                       |
| 220      | 683-099  | PUMP COVER          | 1        |                       |
| 221      | 683-100  | SCREW M3X24         | 4        |                       |
| 222      | 683-202  | AIR CLEANER ASS'Y   | 1        | INCLUD. 223-229       |
| 223      | 683-207  | SLEEVE              | 2        |                       |
| 224      | 683-203  | HOUSING             | 1        |                       |
| 225      | 683-208  | CHOKE VALVE         | 1        |                       |
| 226      | 683-206  | WASHER M6.5         | 1        |                       |
| 227      | 683-209  | PLATE               | 1        |                       |
| 228      | 683-205  | ELEMENT             | 1        |                       |
| 229      | 683-204  | AIR CLEANER COVER   | 1        |                       |
| 230      | 683-110  | CAP SCREW M5X60     | 2        |                       |
| 231      | 683-122  | CLIP                | 1        |                       |
| 232      | 683-210  | FUEL TANK ASS'Y     | 1        | INCLUD. 233, 240-242  |
| 233      | 683-212  | FUEL PIPE ASS'Y     | 1        | INCLUD. 234, 238, 239 |
| 234      | 683-213  | PIPE ASS'Y          | 1        | INCLUD. 235-237       |
| 235      | 683-214  | FUEL PIPE           | 1        |                       |
| 236      | 683-118  | GROMMET             | 1        |                       |
| 237      | 683-120  | RETURN PIPE 3X6X85  | 1        |                       |
| 238      | 683-121  | FUEL FILTER         | 1        |                       |
| 239      | 683-122  | CLIP                | 1        |                       |
| 240      | 683-115  | BREATHER            | 1        |                       |
| 241      | 683-211  | FUEL TANK           | 1        |                       |
| 242      | 683-113  | FUEL TANK CAP ASS'Y | 1        | INCLUD. 243           |
| 243      | 683-114  | PACKING (B)         | 1        |                       |
| 244      | 683-215  | PAD (C)             | 2        |                       |
| 245      | 683-216  | PAD (D)             | 1        |                       |

## STANDARD ACCESSORIES

| ITEM NO. | CODE NO. | DESCRIPTION                       | NO. USED | REMARKS |
|----------|----------|-----------------------------------|----------|---------|
| 501      | 683-155  | BLADE COVER                       | 1        |         |
| 502      | 683-156  | CUTTER BLADE 255MM-D25.4 HOLE-NT4 | 1        |         |
| 503      | 683-020  | SEMI-AUTOMATIC HEAD 4"            | 1        |         |
| 504      | 683-021  | BOX SPANNER                       | 1        |         |
| 505      | 683-022  | DOUBLE-ENDED WRENCH               | 1        |         |
| 506      | 683-023  | LEVER HANDLE                      | 1        |         |

## OPTIONAL ACCESSORIES

| ITEM NO. | CODE NO. | DESCRIPTION   | NO. USED | REMARKS |
|----------|----------|---------------|----------|---------|
| 601      | 682-975  | GREASE (100G) | 1        |         |
|          |          |               |          |         |
|          |          |               |          |         |
|          |          |               |          |         |
|          |          |               |          |         |