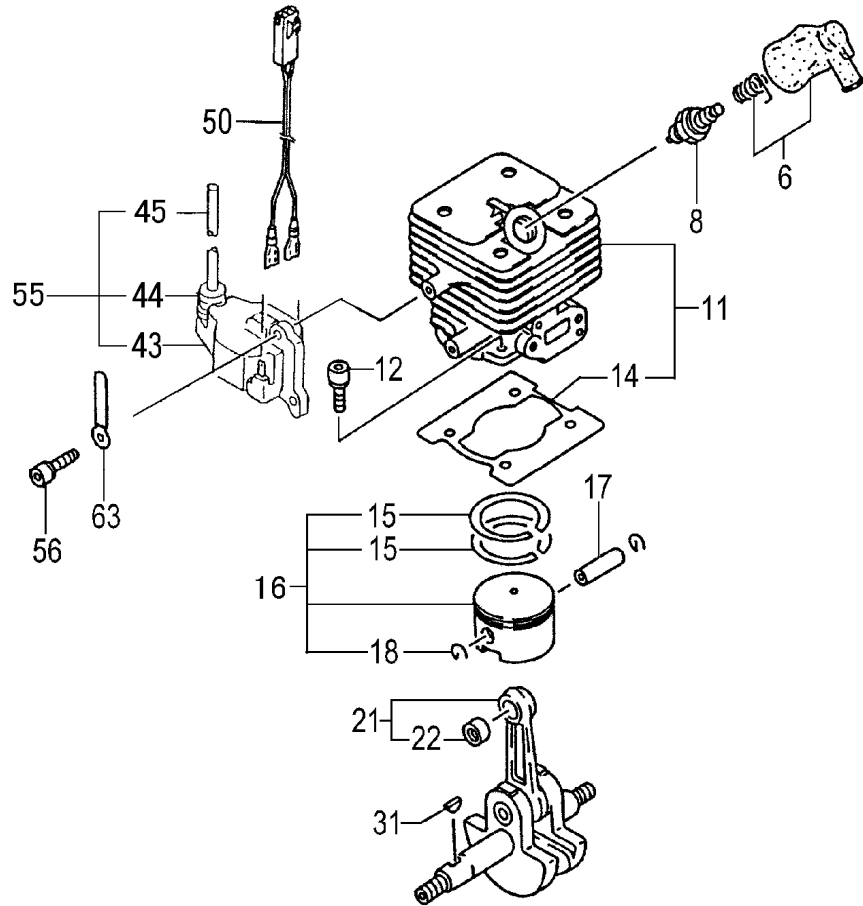
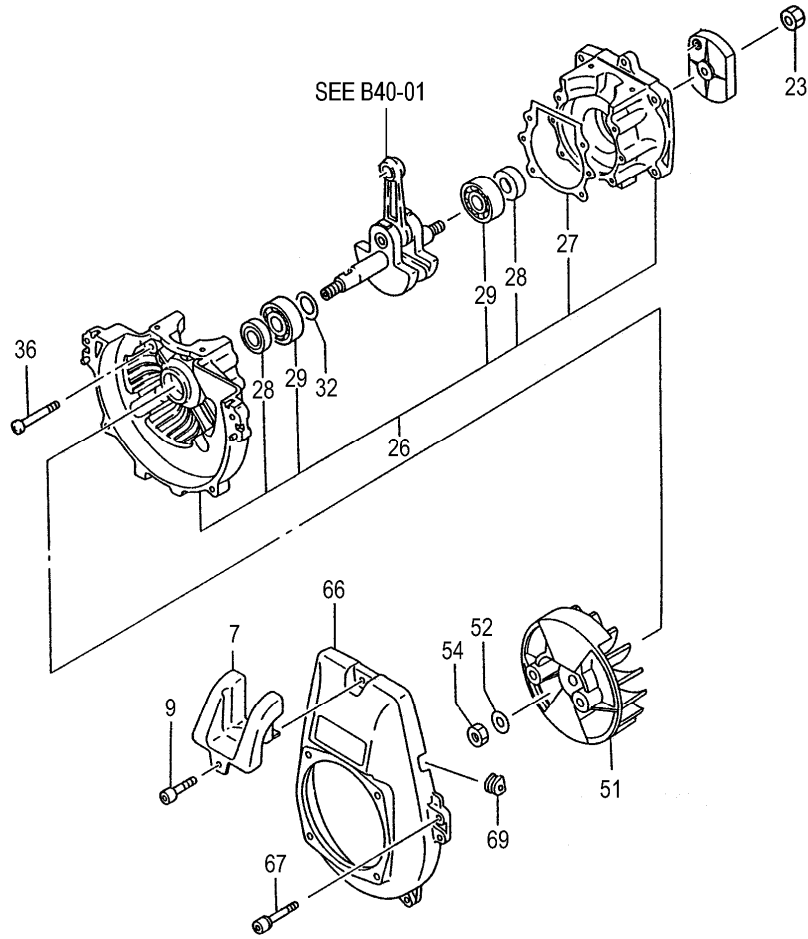


B40-01**CG40EJ(T) CYLINDER/PISTON/CRANK SHAFT**

REF. NUMBER	PARTS NUMBER	DESCRIPTION	QTY	SERIAL NUMBER
006	157-0097A-90	SPARK PLUG CAP ASS'Y	1	
008	018-06540-21	SPARK PLUG BP6MR6A	1	
011	001-04300-90	CYLINDER SET	1	
012	994-61050-204	HEX. HOLE BOLT 5X20/S	4	
014	017-0430A-20	CYLINDER GASKET	1	
015	041-04050-20	PISTON RING	2	
016	030-0423Z-90	PISTON SET	1	
017	037-01000-20	PISTON PIN 10X30	1	
018	039-05004-20	PISTON PIN CIRCLIP	2	
021	046-04300-80	CRANK SHAFT COMP.	1	
022	999-62101-004	NEEDLE BRG F1010B 1.4X8.6	1	
031	068-02000-20	WOOD-RUFF KEY 3X13X5	1	
043	167-20543-80	IGNITION COIL COMP.	1	
044	560-20517-20	RUBBER CAP	1	
045	178-20543-22	HIGHT TENSION CORD	1	
050	191-04405-90	LEAD WIRE ASS'Y	1	
055	167-20543-91	IGNITION COIL ASS'Y	1	
056	994-64040-184	HEX. HOLE BOLT 4X18WS	2	
063	198-11600-80	CORD CLAMP COMP.	1	

B40-02

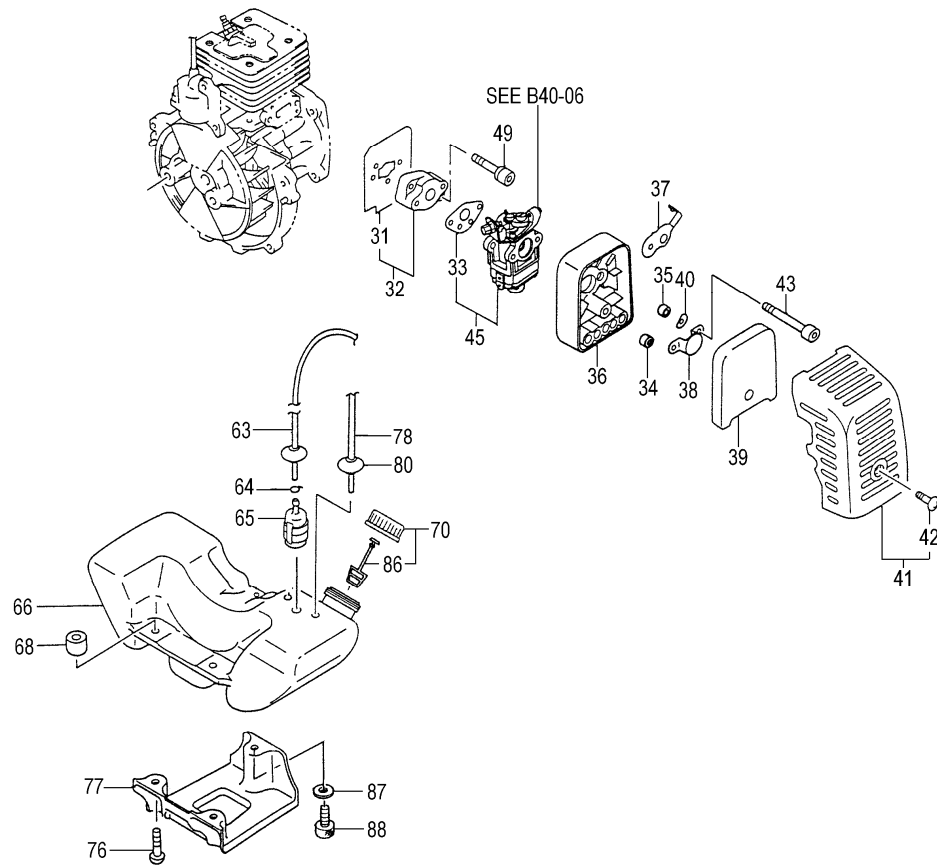
CG40EJ(T) CRANK CASE



REF. NUMBER	PARTS NUMBER	DESCRIPTION	Q'TY	SERIAL NUMBER
007	257-04300-20	SPARK PLUG COVER	1	
009	994-63050-204	HEX.HOLE BOLT 5X20PS	1	
023	991-11100-013	SMALL NUT 10	1	
026	072-04300-90	CRANK CASE ASS'Y	1	
027	090-04300-20	CRANK CASE GASKET	1	
028	999-66152-564	OIL SEAL UD15257	2	
029	999-61620-200	BALL BEARING #6202, 35M	2	
032	071-02007-23	CRANK SHAFT SHIM 0.20	V	
032	071-02007-24	CRANK SHAFT SHIM 0.30	V	
036	994-61050-304	HEX. HOLE BOLT 5X30S	4	
051	155-20538-80	MAGNETO ROTOR COMP.	1	
052	992-01100-011	WASHER 10	1	
054	991-11100-011	NUT 10	1	
066	112-04400-21	FAN CASE	1	
067	994-61050-204	HEX. HOLE BOLT 5X20/S	4	
069	203-11660-20	PRIMARY CORD GROMMET	1	

B40-03

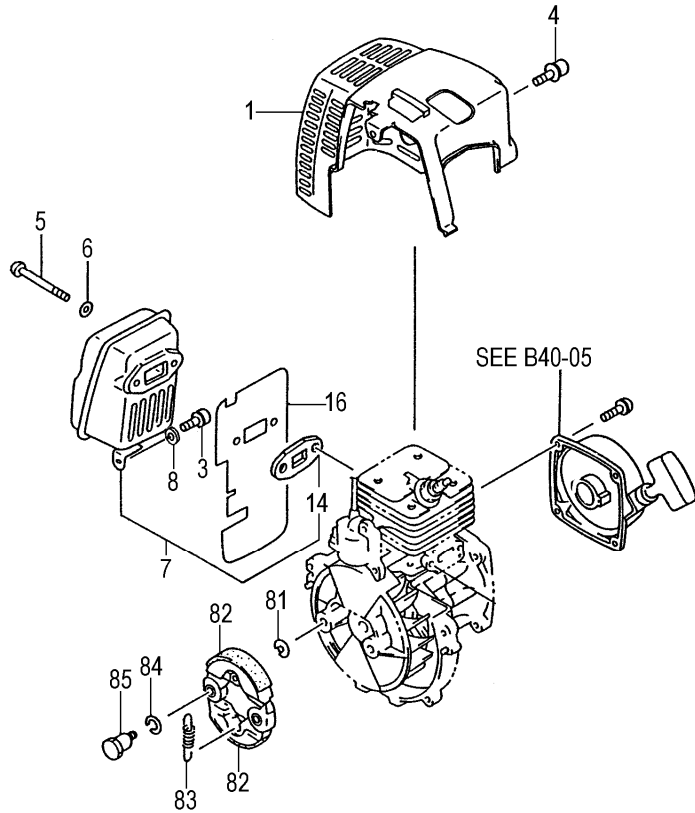
CG40EJ(T) ENGINE-1



REF. NUMBER	PARTS NUMBER	DESCRIPTION	Q'TY	SERIAL NUMBER
031	403-04300-20	INLET MANIFOLD GASKET	1	
032	404-04300-90	CARB.INSULATOR SET, SP	1	
033	402-04300-20	CARBURETOR GASKET	1	
034	453-0637C-20	COLLAR	1	
035	470-01380-20	COLLAR	1	
036	423-01380-82	CLEANER BODY COMP	1	
037	528-01380-21	CHOKE VALVE	1	
038	476-01700-20	BLOW OVER CHECK BOAR	1	
039	446-01380-21	CLEANER ELEMENT 6T	2	
040	992-04080-031	WAVE WASHER 8	1	
041	452-01380-91	CLEANER COVER ASS'Y	1	
042	380-0637C-20	SPECIAL SCREW	1	
043	994-14050-571	SCREW 5X57/S	2	
045	455-04309-90	CARBURETOR SET WYJ38	1	
049	994-64050-254	HEX. HOLE BOLT 5X25WS	2	
063	223-01251-90	FUEL PIPE ASS'Y 3X5X230	1	
064	680-00731-20	CLIP, 6.3 DIA.	1	
065	675-01630-90	PUMP FILTER BODY ASS'Y	1	
066	591-0430A-22	TANK	1	
068	659-04300-20	COLLAR C	3	
070	595-00093-90	TANK CAP D ASS'Y ORANG	1	
076	994-63050-204	HEX.HOLE BOLT 5X20PS	2	
077	940-04300-20	ENGINE BED	1	
078	700-03005-08	FUEL PIPE 3X5X85	1	
080	222-06300-20	FUEL PIPE GROMMET	1	
086	626-32550-20	TANK CAP CHAIN	1	
087	992-01050-061	WASHER 5	1	
088	994-61050-224	HEX. HOLE BOLT 5X22/S	1	

B40-04

CG40EJ(T) ENGINE-2

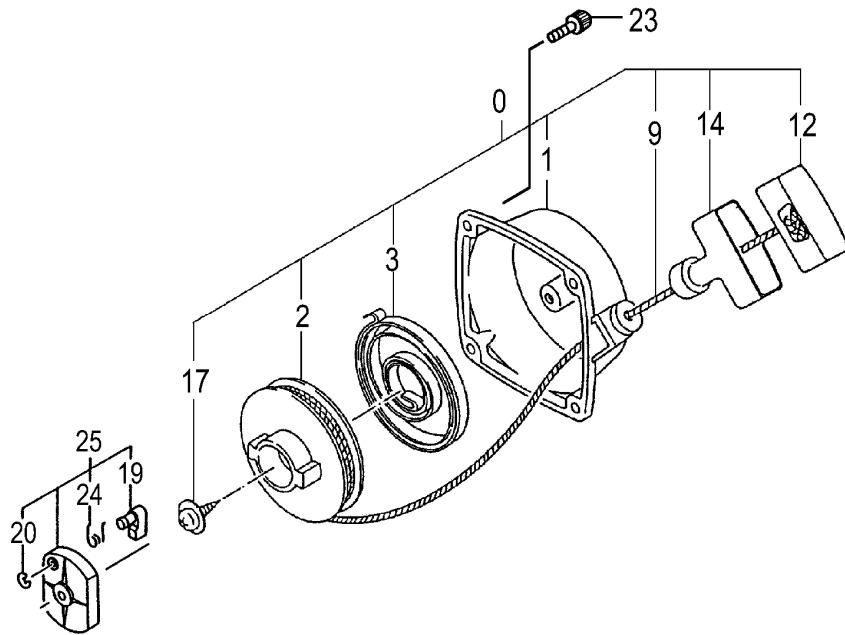


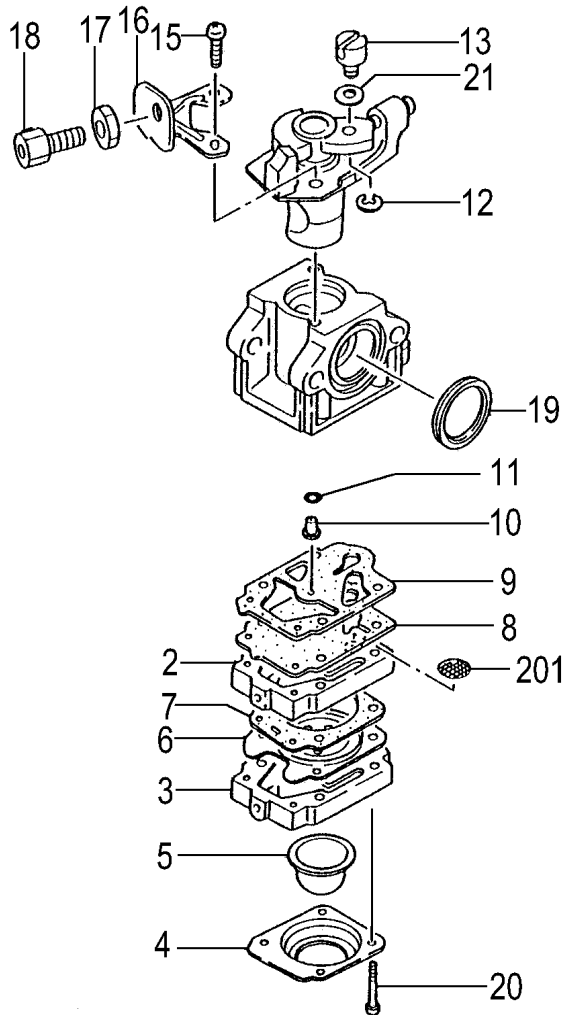
REF. NUMBER	PARTS NUMBER	DESCRIPTION	Q'TY	SERIAL NUMBER
001	738-04300-20	MUFFLER PROTECTOR	1	
003	994-61050-124	HEX. HOLE BOLT 5X12S	1	
004	994-64050-154	HEX. HOLE BOLT 5X15WS	1	
005	990-51060-653	HEX.HOLE BOLT 6X65	2	
006	992-01060-011	WASHER 6	2	
007	704-04300-91	MUFFLER SET P/N	1	
008	992-01050-061	WASHER 5	1	
014	737-04230-20	MUFFLER GASKET	1	
016	133-04300-20	HEAT SHIELD	1	
081	359-10112-20	CLUTCH WASHER B	2	
082	290-04200-81	CLUTCH ARM COMP.	2	
083	342-04200-20	CLUTCH SPRING	1	
084	992-04100-030	WAVE WASHER 10	2	
085	357-04201-20	CLUTCH STEP BOLT	2	

B40-05

CG40EJ(T) RECOIL STARTER

REF. NUMBER	PARTS NUMBER	DESCRIPTION	Q'TY	SERIAL NUMBER
000	762-04220-90	RECOIL STARTER BODY A	1	
001	772-04220-80	RECOIL STARTER BODY C	1	
002	769-04220-20	STARTER ROPE REEL	1	
003	779-04220-20	RECOIL SPRING	1	
009	783-04270-20	STARTER ROPE	1	
012	835-04220-20	STARTER HANDLE CAP	1	
014	785-04220-20	STARTER HANDLE	1	
017	839-04220-20	SET SCREW	1	
019	788-0162V-20	STARTER PAWL	1	
020	993-55050-000	STOP RING E-5	1	
023	994-63050-204	HEX.HOLE BOLT 5X20PS	4	
024	790-0162V-20	STARTER PAWL SPRING	1	
025	798-04220-90	STARTER PULLEY	1	

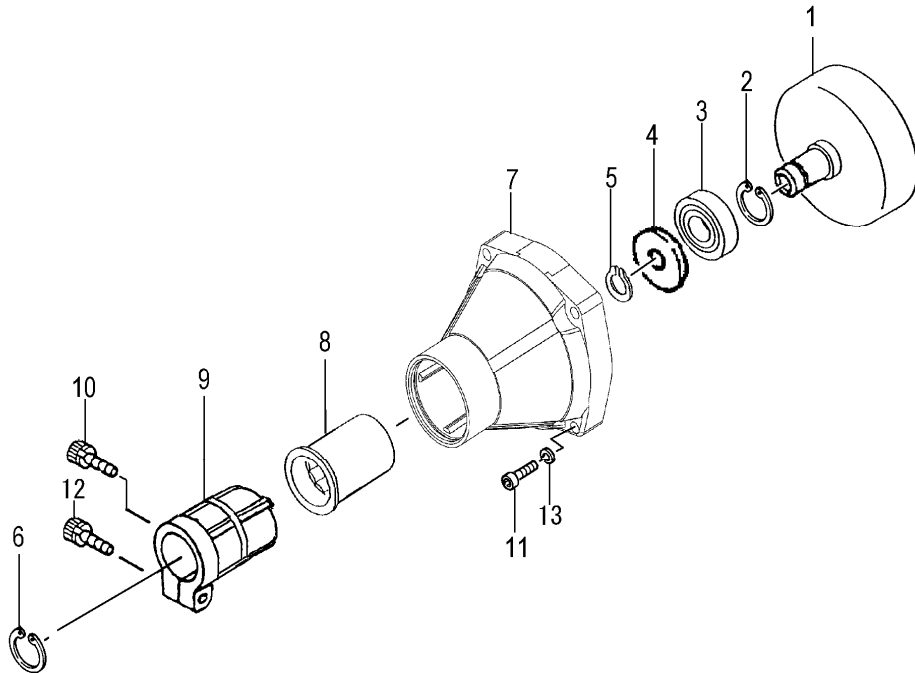


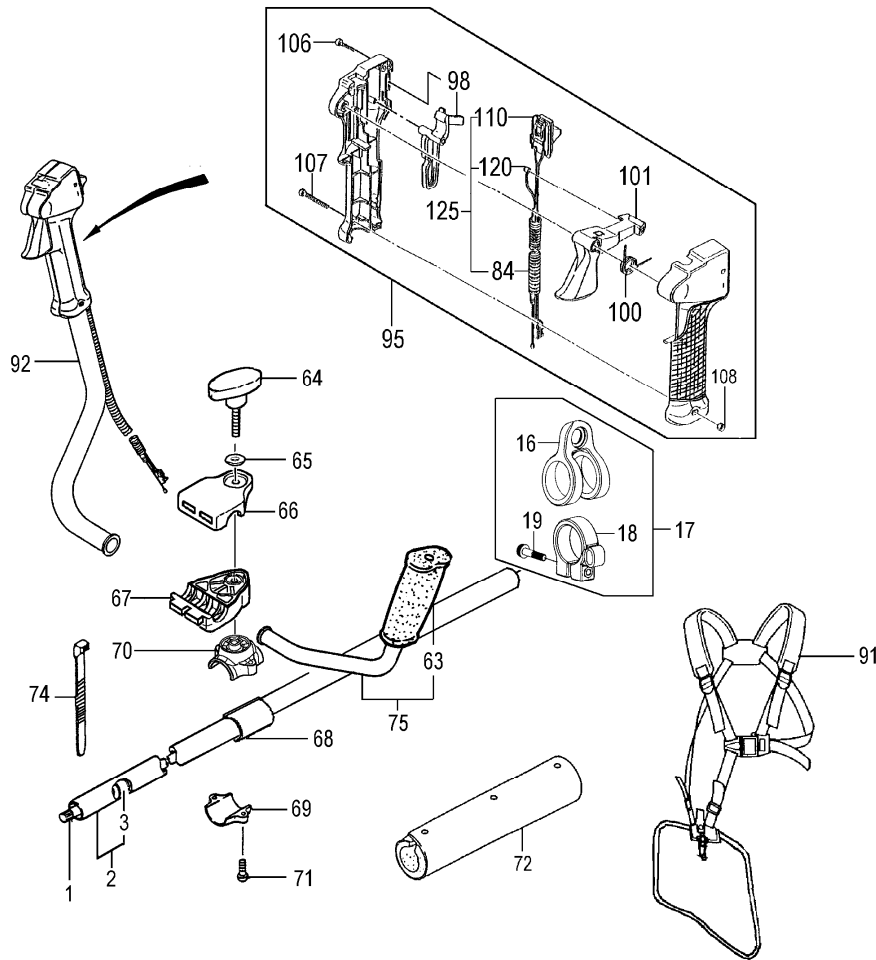
B40-06**CG40EJ(T) CARBURETOR**

REF. NUMBER	PARTS NUMBER	DESCRIPTION	Q'TY	SERIAL NUMBER
002	575-25153-80	PUMP BODY COMP	1	
003	442-25151-80	PRIMING PUMP COMP.	1	
004	476-25151-20	DIAPHRAGM COVER	1	
005	447-25108-20	PRIMING BODY	1	
006	474-25001-80	METERING DIAPHRAGM CO	1	
007	475-25153-20	DIAPHRAGM GASKET	1	
008	576-25100-20	PUMP DIAPHRAGM	1	
009	577-25100-20	PUMP GASKET	1	
010	599-2000W-51	MAIN JET #51	1	
011	550-25100-20	O-RING	1	
012	489-25100-20	STOP RING	1	
013	539-25120-20	SWIVEL	1	
015	514-25100-20	THROTTLE SET SCREW	2	
016	544-25164-20	CABLE ADJUSTER STAY	1	
017	613-25100-20	CABLE ADJUST NUT	1	
018	614-25137-20	CABLE ADJUSTER	1	
019	431-0634C-20	CLEANER PACKING	1	
020	548-25151-20	SET SCREW	4	
021	549-25165-20	THRUST WASHER	1	
201	578-25007-20	INLET SCREEN	1	

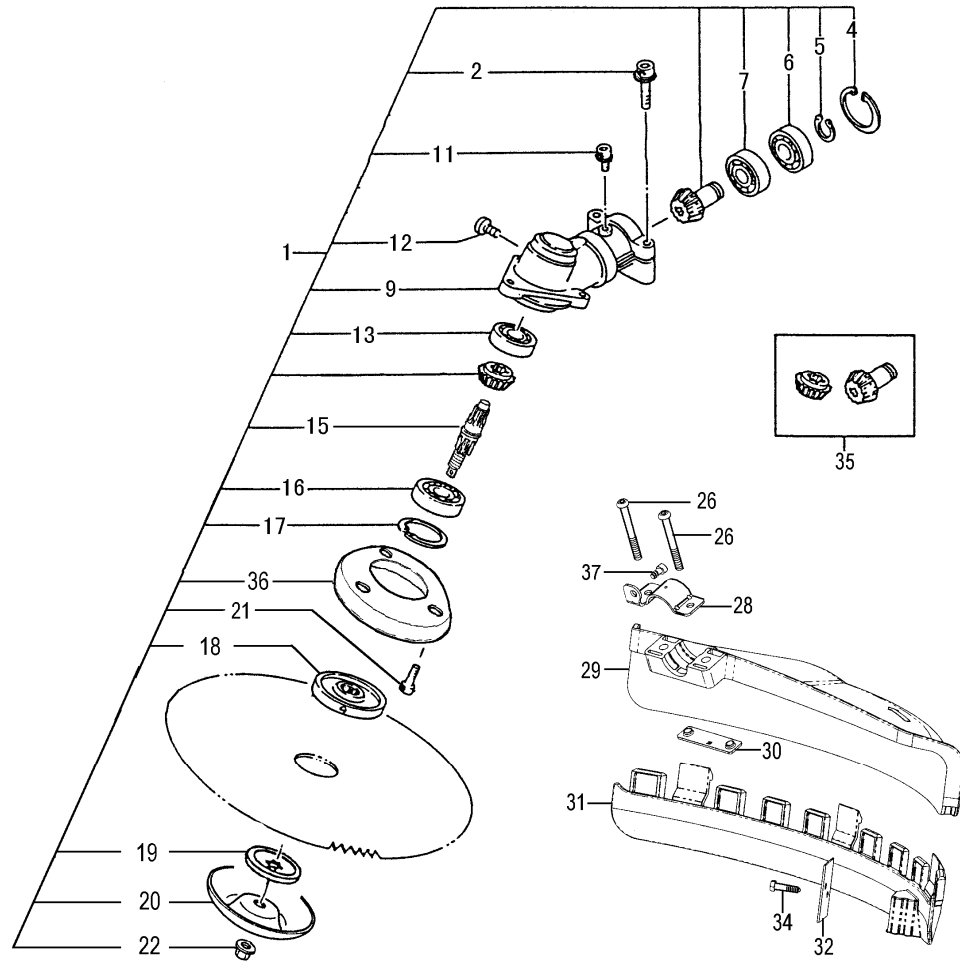
B40-07**CG40EJ(T) CLUTCH CASE**

REF. NUMBER	PARTS NUMBER	DESCRIPTION	Q'TY	SERIAL
001	289-37491-80	CLUTCH SHAFT COMP.	1	
002	993-51032-002	STOP RING C-32, INNER	1	
003	999-61600-201	BALL BEARING #6002ZZ, 32	1	
004	330-37491-20	WASHER	1	
005	993-50015-002	STOP RING C-15, OUTER	1	
006	993-53045-002	STOP RING C-45, OUTER	1	
007	331-37867-20	CLUCH CASE	1	
008	599-37491-20	CUSHION RUBBER	1	
009	360-37857-20	PIPE HOLDER	1	
010	990-51050-103	HEX. HOLE BOLT 5X10	1	
011	990-53060-303	SCREW 6X30	4	
012	994-61060-304	HEX.HOLE BOLT 6X30/S	1	
013	992-10060-062	S.WASHER 6	4	



B40-08**CG40EJ(T) OPERATION PIPE**

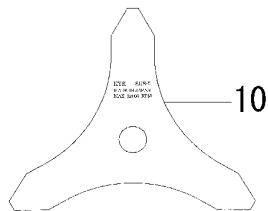
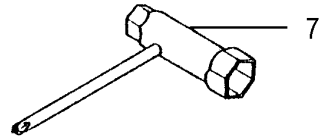
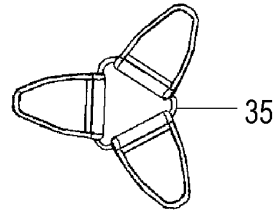
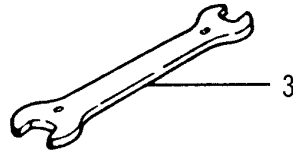
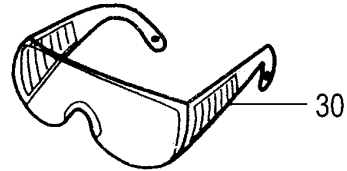
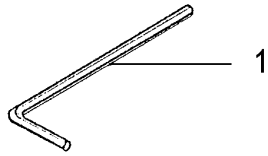
REF. NUMBER	PARTS NUMBER	DESCRIPTION	Q'TY	SERIAL NUMBER
001	343-37867-20	DRIVE SHAFT 1542L	1	
002	341-37867-80	DRIVE SHAFT PIPE COMP.	1	
003	347-37867-90	BUSH ASS'Y	7	
016	335-37857-80	HANGER	1	
017	335-37857-90	LIFTING METAL ASS'Y	1	
018	337-37857-80	HANGER FIXING BRACKET	1	
019	994-64050-254	HEX. HOLE BOLT 5X25WS	1	
063	165-37590-20	HANDLE GRIP	1	
064	512-37867-80	HANDLE KNOB COMP.	1	
065	760-37867-20	MOUNTING WASHER 1.0	1	
066	506-37867-20	HANDLE BRACKET A	1	
067	507-37175-20	HANDLE BRACKET B	1	
068	510-37867-20	CUSHION RUBBER	1	
069	508-37867-20	HANDLE BRACKET C	1	
070	507-37867-20	HANDLE BRACKET B	1	
071	994-64050-254	HEX. HOLE BOLT 5X25WS	2	
072	336-37857-80	HIP PAD	1	
074	198-33851-20	CORD CLAMP	2	
075	502-37867-90	HANDLE LEFT ASS'Y	2	
084	164-07086-50	PROTECTION TUBE	1	
091	746-37857-90	SHOULDER BELT ASS'Y	1	
092	501-37867-20	RIGHT HANDLE	1	
095	870-38401-91	THROTTLE LEVER ASS'Y 1	1	
098	253-38400-20	SAFETY LEVER	1	
100	832-38400-20	RETURN SPRING	1	
101	880-38401-20	THROTTLE LEVER	1	
106	993-46040-202	SCREW 4X20, BLACK	2	
107	994-31050-303	SCREW 5X30, BLACK	1	
108	991-01050-043	CONTAL NUT 5	1	
110	156-38401-81	STOP SWITCH	1	
120	887-38401-80	THROTTLE WIRE	1	
125	885-38401-81	THROTTLE WIRE COMP.	1	

B40-09**CG40EJ(T) GEAR CASE**

REF. NUMBER	PARTS NUMBER	DESCRIPTION	Q'TY	SERIAL NUMBER
001	300-37857-90	GEAR CASE ASS'Y	1	
002	994-61050-25	HEX. HOLE BOLT 5X25/S	2	
004	993-51028-00	STOP RING C-28, INNER	1	
005	993-50012-00	STOP RING C-12, OUTER	1	
006	999-61600-10	BALL BEARING #6001Z, 28M	1	
007	999-61600-10	BALL BEARING #6001, 28M	1	
009	300-37857-20	GEAR CASE	1	
011	994-64050-12	HEX HOLE BOLT 5X12	1	
012	990-21060-08	BOLT 6X8	1	
013	999-61600-10	BALL BEARING #6001, 28M	1	
015	304-37857-20	GEAR SHAFT L-M10X1.25	1	
016	999-61620-20	BALL BEARING #6202DD, 3	1	
017	993-51035-00	STOP RING C-35, INNER	1	
018	310-37857-20	CUTTER HOLDER	1	
019	311-37857-20	CUTTER HOLDER CAP	1	
020	308-37857-20	PROTECTION COVER B	1	
021	994-64050-14	HEX HOLE BOLT 5X14	3	
022	313-3330M-20	FIXING NUT L-M10X1	1	
026	990-53060-30	SCREW 6X30	2	
028	442-37867-20	COVER BRACKET	1	
029	441-37867-20	SAFETY COVER	1	
030	445-37867-20	SAFETY COVER HOLDER	1	
031	447-37867-20	COVER GUARD	1	
032	797-37380-21	KNIFE	1	
034	993-17052-00	TAPPING SCREW	1	
035	301-37857-00	GEAR PINION SET, SPARE	1	
036	303-37857-20	GEAR CASE COVER	1	
037	990-53060-10	HEX HOLE BUTTON SCREW	1	

B40-10**CG40EJ(T) TOOLS**

REF. NUMBER	PARTS NUMBER	DESCRIPTION	Q'TY	SERIAL NUMBER
001	813-29014-60	HEX. WRENCH 4	1	
003	801-29374-91	SPANNER 8X10	1	
007	826-29374-91	COMBI,BOX WRENCH 17X1	1	
010	810-37181-20	CUTTING BLADE 3TX305XT		
030	541-37590-20	PROTECTION GLASSES	1	
035	615-37181-20	CUTTER COVER	1	



B40-11**CG40EJ(T) LABELS**

REF. NUMBER	PARTS NUMBER	DESCRIPTION	Q'TY	SERIAL NUMBER
001	906-04323-20	NAME PLATE CG40EJ(T)	1	
002	929-04323-20	SYMBOL MARK CG40EJ(T)	1	
008	919-38515-20	CAUTION MARK 9900RPM	1	

