

**B21**

**CG40EK(LP)**

**Serial No.**

+++++++ MODEL:CG40EK ++++++

**B21-01 CYLINDER/PISTON/CRANK**

005	255-04200-20	SPARK PLUG RUBBER COVER	1
006	157-11666-90	SPARK PLUG CAP ASS'Y	1
008	018-00555-20	SPARK PLUG, RCJ8Y	1
011	001-04405-90	CYLINDER SET	1
012	994-61050-204	HEX. HOLE BOLT 5X20/S	4
014	017-04400-20	CYLINDER GASKET	1
015	041-04050-20	PISTON RING	1
016	030-04400-90	PISTON SET	1
017	037-01000-20	PISTON PIN 10X30	1
018	039-05004-20	PISTON PIN CIRCLIP	2
021	046-04400-80	CRANK SHAFT COMP.	1
022	999-62101-004	NEEDLE BRG F1010B 1.4X8.6	1
031	068-02000-20	WOOD-RUFF KEY 3X13X5	1
043	167-20543-80	IGNITION COIL COMP.	1
044	560-20517-20	RUBBER CAP	1
045	178-20543-22	HIGHT TENSION CORD	1
046	167-20543-91	IGNITION COIL ASS'Y	1
050	191-04405-90	LEAD WIRE ASS'Y	1
056	994-16040-183	SCREW 4X18/WS	2
059	182-0186A-20	WASHER	2
063	198-11600-80	CORD CLAMP COMP.	1

**B21-02 CRANK CASE**

007	257-04400-20	PROTECTOR	1
009	994-63050-204	HEX.HOLE BOLT 5X20PS	1
023	991-11100-013	SMALL NUT 10	1
026	072-04400-91	CRANK CASE ASS'Y	1
027	090-04400-20	CRANK CASE GASKET	1
028	999-66152-564	OIL SEAL UD15257	2
029	999-61620-200	BALL BEARING #6202, 35MM/OD	2
032	071-02007-23	CRANK SHAFT SHIM 0.20	V
032	071-02007-24	CRANK SHAFT SHIM 0.30	V
036	994-61050-304	HEX. HOLE BOLT 5X30S	4
051	155-20538-80	MAGNETO ROTOR COMP.	1
052	992-01100-011	WASHER 10	1
054	991-11100-011	NUT 10	1
055	994-14050-101	SCREW 5X10/S	1
060	132-04400-20	AIR DEFLECTOR	1
066	112-04400-21	FAN CASE	1
067	994-61050-204	HEX. HOLE BOLT 5X20/S	4
069	203-11660-20	PRIMARY CORD GROMMET	1

**B21-03 ENGINE-1**

001	738-0440A-21	MUFFLER PROTECTOR	1
003	994-61050-124	HEX. HOLE BOLT 5X12S	1
005	990-51060-653	HEX.HOLE BOLT 6X65	2
006	992-01060-011	WASHER 6	2
007	704-04401-90	MUFFLER SET, PN	1
008	992-01050-061	WASHER 5	1
010	721-04400-20	TAIL PIPE	1
011	994-34040-081	SCREW 4X8S	1
013	732-04400-20	MUFFLER ARRESTOR	1
014	737-04230-20	MUFFLER GASKET	1
016	133-04400-20	HEAT SHIELD	1
023	994-63050-204	HEX.HOLE BOLT 5X20PS	2

024	203-10000-20	PRIMARY CORD GROMMET	1
025	994-61050-254	HEX. HOLE BOLT 5X25/S	2
026	992-01050-061	WASHER 5	2
081	359-10112-20	CLUTCH WASHER B	2
082	290-04200-81	CLUTCH ARM COMP.	2
083	342-04200-20	CLUTCH SPRING	1
084	992-04100-030	WAVE WASHER 10	2
085	357-04201-20	CLUTCH STEP BOLT	2
<b>B21-04 ENGINE-2</b>			
031	403-04300-20	INLET MANIFOLD GASKET	1
032	404-04300-90	CARB. INSULATOR SET, SPARE	1
033	402-04300-20	CARBURETOR GASKET	1
034	453-0637C-20	COLLAR	1
035	470-01380-20	COLLAR	1
036	423-01380-82	CLEANER BODY COMP	1
037	528-01380-21	CHOKE VALVE	1
038	476-01700-20	BLOW OVER CHECK BOARD	1
039	446-01380-21	CLEANER ELEMENT 6T	2
040	992-04080-031	WAVE WASHER 8	1
041	452-01380-91	CLEANER COVER ASS'Y	1
042	380-0637C-20	SPECIAL SCREW	1
043	990-11050-602	SCREW 5X60	2
044	992-10050-012	S. WASHER 5	2
045	455-04400-90	CARBURETOR SET, PN	1
046	786-00601-20	STARTER PAWL WASHER	2
049	994-16050-253	HEX. HOLE BOLT 5X25WS	2
062	649-01680-20	TANK FIXING COLLAR	1
063	223-01251-90	FUEL PIPE ASS'Y 3X5X230	1
064	680-00731-20	CLIP, 6.3 DIA.	1
065	675-01630-90	PUMP FILTER BODY ASS'Y	1
066	591-04400-22	TANK	1
068	659-04300-20	COLLAR C	3
070	595-00072-90	TANK CAP A' SSY	1
071	626-32550-20	TANK CAP CHAIN	1
072	561-00070-20	AIR VENT RUBBER CAP	1
073	646-3252L-90	AIR VENT VALVE ASS'Y	1
074	565-04400-21	AIR VENT PIPE	1
075	564-04400-91	AIR VENT ASS'Y	1
076	994-63050-204	HEX. HOLE BOLT 5X20PS	2
077	940-04300-20	ENGINE BED	1
078	700-03005-08	FUEL PIPE 3X5X85	1
079	680-00206-20	CLIP 5.5	1
080	222-06300-20	FUEL PIPE GROMMET	1
086	994-61050-304	HEX. HOLE BOLT 5X30S	1
087	992-01050-061	WASHER 5	1
<b>B21-05 RECOIL STARTER</b>			
000	762-04220-90	RECOIL STARTER BODY ASS'Y	1
001	772-04220-80	RECOIL STARTER BODY COMP.	1
002	769-04220-20	STARTER ROPE REEL	1
003	779-04220-20	RECOIL SPRING	1
009	783-04270-20	STARTER ROPE	1
012	835-04220-20	STARTER HANDLE CAP	1
014	785-04220-20	STARTER HANDLE	1
017	839-04220-20	SET SCREW	1
019	788-0162V-20	STARTER PAWL	1

020	993-55050-000	STOP RING E-5	1
023	991-11100-013	SMALL NUT 10	1
024	790-0162V-20	STARTER PAWL SPRING	1
025	798-04220-90	STARTER PULLEY	1
<b>B21-06 CARBURETOR</b>			
001	514-25100-20	THROTTLE SET SCREW	2
004	544-25164-20	CABLE ADJUSTER STAY	1
005	539-25120-20	SWIVEL	1
006	549-25165-20	THRUST WASHER	1
007	489-25100-20	STOP RING	1
009	614-25137-20	CABLE ADJUSTER	1
010	550-25100-20	O-RING	1
011	599-2001W-44	MAIN JET #44	1
012	613-25100-20	CABLE ADJUST NUT	1
013	577-25100-20	PUMP GASKET	1
014	576-25100-20	PUMP DIAPHRAGM	1
017	578-25007-20	INLET SCREEN	1
018	575-25153-80	PUMP BODY COMP	1
019	475-25153-20	DIAPHRAGM GASKET	1
020	474-25001-80	METERING DIAPHRAGM COMP. #	1
021	476-25151-20	DIAPHRAGM COVER	1
022	548-25151-20	SET SCREW	4
024	431-0634C-20	CLEANER PACKING	1
025	442-25151-80	PRIMING PUMP COMP.	1
026	447-25108-20	PRIMING BODY	1
<b>B21-07 CLUTCH CASE</b>			
001	289-04300-80	CLUTCH SHAFT COMP.	1
002	999-61620-202	BALL BEARING #6202Z, 35MM/OD	2
003	993-50015-002	STOP RING C-15, OUTER	1
004	331-04300-20	CLUTCH CASE	1
006	599-04300-20	CUSHION RUBBER	1
009	990-51050-163	HEX. HOLE BOLT 5X16	1
011	990-53060-203	HEX HOLE BUTTON SCREW 6X20	4
012	990-54050-253	HEX HOLE BOLT 5 X 25	1
015	360-04300-21	PIPE HOLDER	1
026	992-01050-061	WASHER 5	1
028	361-00990-20	METAL FITTING	1
<b>B21-08 HANDLE</b>			
001	343-37850-20	DRIVE SHAFT	1
002	341-37850-80	DRIVE SHAFT COMP.	1
003	347-37850-90	BUSH ASS'Y, 8 DIA.	5
010	993-11052-012	TAPPING SCREW 5X20	1
011	368-32350-20	BRAKE SHAFT WASHER	1
016	503-3738E-20	HANDLE GRIP	1
017	994-23060-432	BOLT 6X43/P	2
018	500-3738E-20	LOOP HANDLE, 26DIA., BLACK	1
019	520-33398-20	BARRIER, 26DIA, BLACK	1
022	991-01060-041	HEX. NUT 6	2
025	870-38103-90	THROTTLE LEVER ASS'Y	1
051	991-01050-001	NUT 5	1
053	335-33410-20	LIFTING METAL	1
054	994-61050-164	HEX. HOLE BOLT 5X16S	1
056	746-38253-90	SHOULDER BELT ASS'Y	1
083	885-38103-80	THROTTLE WIRE COMP.	1
084	887-38103-80	THROTTLE WIRE	1

085	156-38103-80	STOP SWITCH COMP.	1	
086	164-07020-00	PROTECTION TUBE 200L	1	
098	253-38400-20	SAFETY LEVER	1	
100	832-38400-20	RETURN SPRING	1	
103	322-38400-20	BLIND PLUG	1	
110	994-31050-203	SCREW 5X20	2	
111	991-01050-043	CONTAL NUT 5	2	
112	993-46040-202	SCREW 4X20, BLACK	4	
125	880-38400-20	THROTTLE LEVER	1	
<b>B21-9 GEAR CASE</b>				
001	300-38331-90	GEAR CASE ASS' Y, 26 DIA.	1	
002	994-61050-254	HEX. HOLE BOLT 5X25/S	2	
004	993-51024-002	STOP RING C-24, INNER	1	
005	993-50009-002	STOP RING C-9, OUTER	1	
006	999-61609-002	BALL BEARING 609Z ST	1	
007	999-61609-000	BALL BEARING 609	1	
009	300-3330B-20	GEAR CASE, 26 DIA.	1	
011	990-51050-103	HEX. HOLE BOLT 5X10	1	
012	994-23080-100	PLUS HEAD BOLT 8X10	1	
013	999-61628-000	BALL BEARING 628 ST	1	
015	304-38331-20	GEAR SHAFT	1	
016	999-61620-103	BALL BEARING 6201D, 32MM/OD	1	
017	993-51032-002	STOP RING C-32, INNER	1	
018	310-38100-20	CUTTER HOLDER, 12X10X1	1	
019	311-37850-20	CUTTER HOLDER CAP, 12X10X1	1	
021	308-37861-20	PROTECTION COVER B	1	
022	313-38100-20	CUTTER FIXING NUT, L/H	1	
023	324-37350-20	GEAR CASE WASHER	1	
025	067-37134-20	SPECIAL WASHER 1.0	1	
026	994-81060-254	HEX. HOLE BUTTON SCREW 6X25S	2	
028	442-33699-20	COVER BRACKET, 26 DIA.	1	
029, 1	441-37380-20	SAFETY COVER, CE	1	- E979999
029	441-38331-20	<b>BLAD GUARD 26CE</b>	1	E070001
030	445-37380-20	SAFETY COVER HOLDER	1	
031, 1	447-37380-20	COVER GUARD	1	- E979999
310	447-38331-20	<b>COVER GUARD</b>	1	E070001
032, 1	797-37380-21	KNIFE	1	- E979999
032	797-37714-20	KNIFE	1	E070001
034, 1	994-14050-121	SCREW 5X12/S	1	- E979999
034	993-48040-142	TAPPING SCREW 4X14P	1	E070001
035	301-37134-00	GEAR-PINION SET, SPARE	1	
036	991-01050-011	HEX. NUT 5	1	- E979999
038	993-17052-002	TAPPING SCREW 5X20	1	E070001
039	797-38331-20	KNIFN	1	E070001
<b>B21-10 TOOLS</b>				
030	813-20000-20	HEX. WRENCH 4	1	
031	826-20000-80	COMBI, BOX WRENCH 17X19	1	
035	615-37224-20	CUTTER COVER	2	
036	541-37590-20	PROTECTION GLASSES	1	
<b>B21-11 LABELS</b>				
001	906-04416-20	NAME PLATE CG40EK(P)	1	
002	929-04416-21	SYMBOL MARK HITACHI	1	
007	929-38100-20	SYMBOL MARK	1	
008	919-38515-20	CAUTION MARK 9900RPM	1	
===== END OF DATA =====				









-

-

-

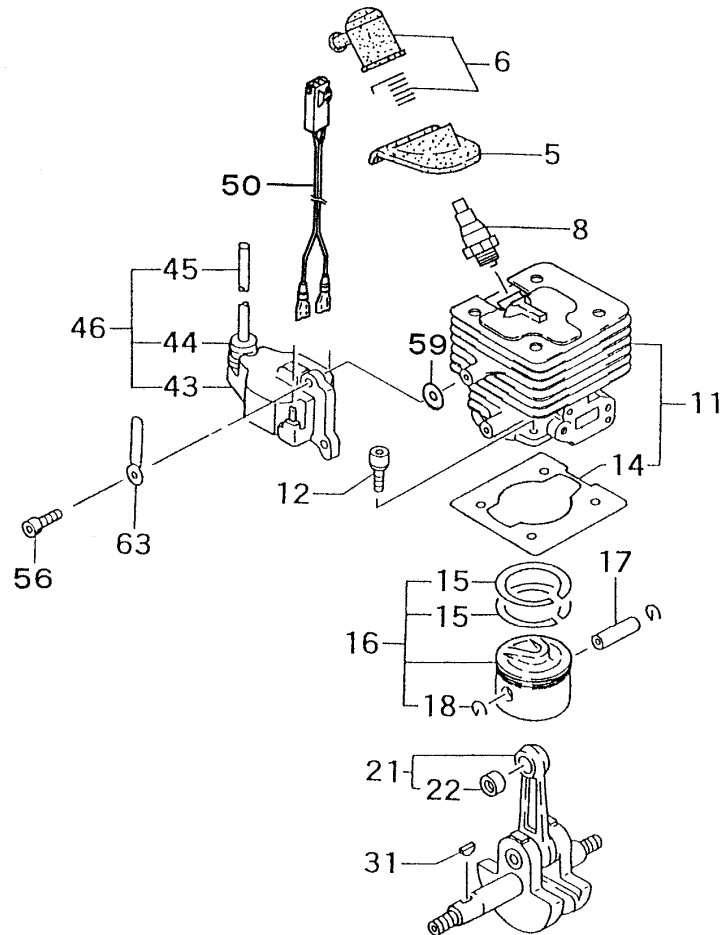
-

-

-

**B21-01**

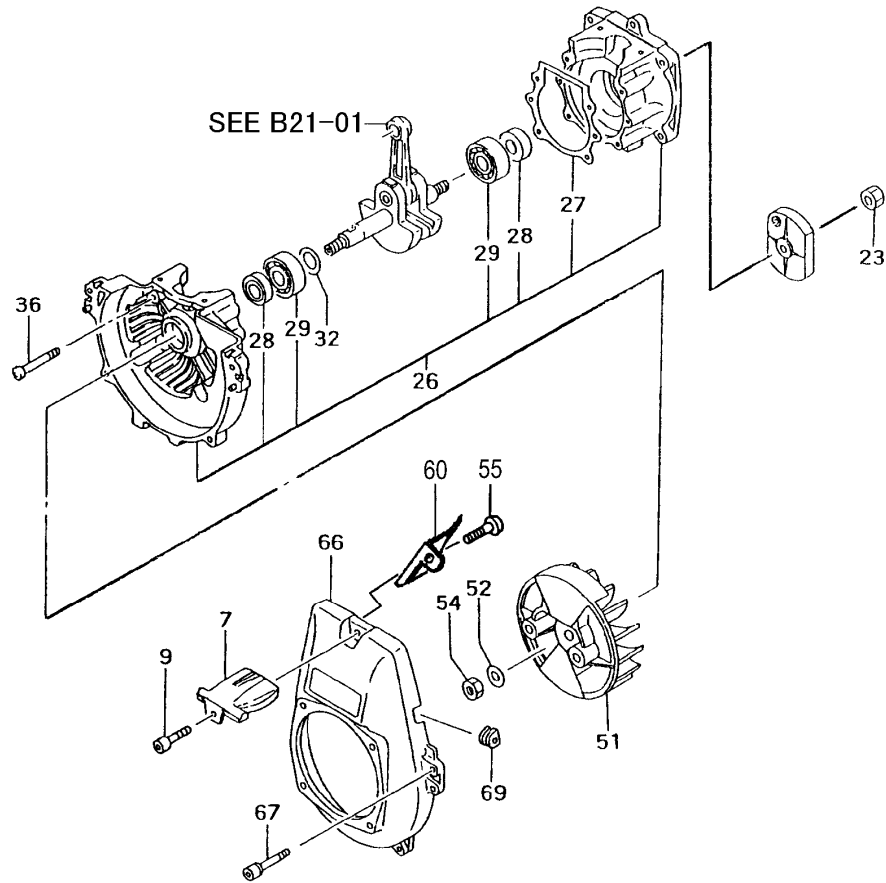
**CG40EK(LP) CYLINDER/PISTON/CRANK SHAFT**



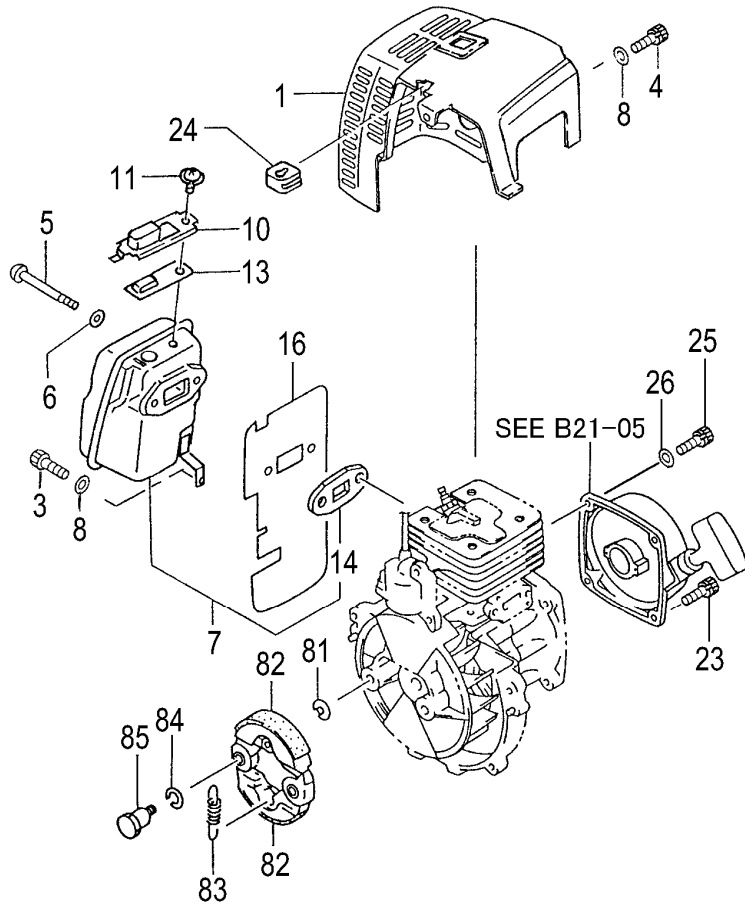
REF. NUMBER	PARTS NUMBER	DESCRIPTION	Q'TY	SERIAL NUMBER
005	255-04200-20	SPARK PLUG RUBBER COVER	1	
006	157-11666-90	SPARK PLUG CAP ASS'Y	1	
008	018-00555-20	SPARK PLUG, RCJ8Y	1	
011	001-04405-90	CYLINDER SET	1	
012	994-61050-204	HEX. HOLE BOLT 5X20/S	4	
014	017-04400-20	CYLINDER GASKET	1	
015	041-04050-20	PISTON RING	1	
016	030-04400-90	PISTON SET	1	
017	037-01000-20	PISTON PIN 10X30	1	
018	039-05004-20	PISTON PIN CIRCLIP	2	
021	046-04400-80	CRANK SHAFT COMP.	1	
022	999-62101-004	NEEDLE BRG F1010B 1.4X8.6	1	
031	068-02000-20	WOOD-RUFF KEY 3X13X5	1	
043	167-20543-80	IGNITION COIL COMP.	1	
044	560-20517-20	RUBBER CAP	1	
045	178-20543-22	HIGHT TENSION CORD	1	
046	167-20543-91	IGNITION COIL ASS'Y	1	
050	191-04405-90	LEAD WIRE ASS'Y	1	
056	994-16040-183	SCREW 4X18/WS	2	
059	182-0186A-20	WASHER	2	
063	198-11600-80	CORD CLAMP COMP.	1	

**B21-02**

**CG40EK(LP) CRANK CASE**



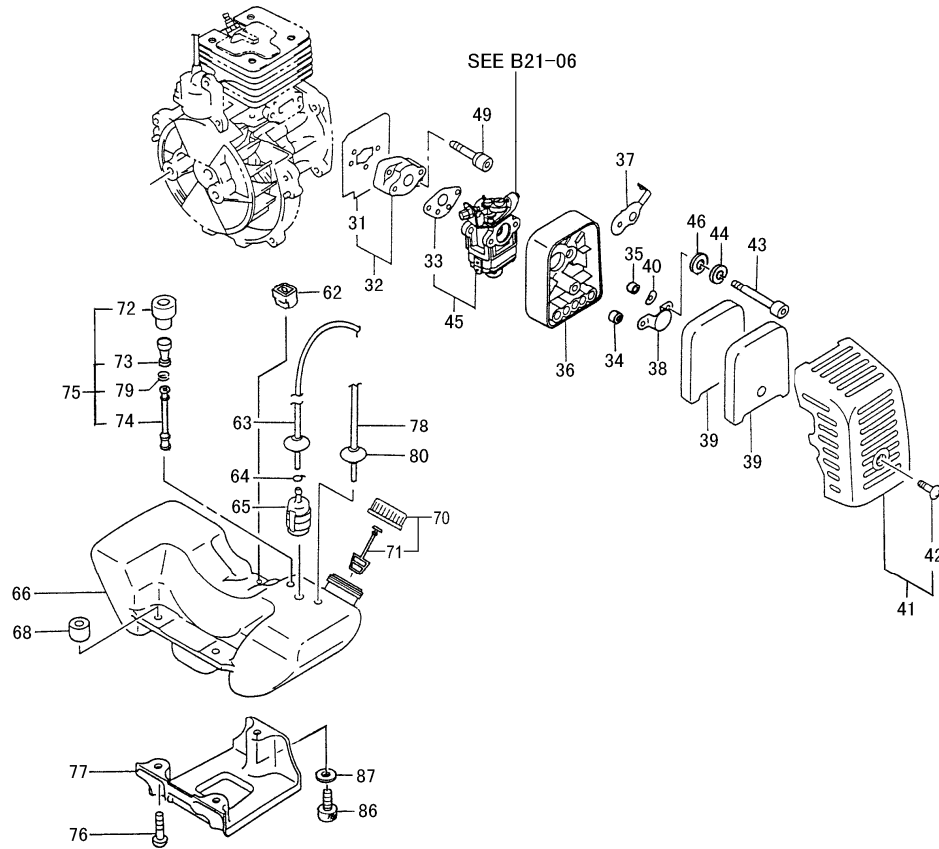
REF. NUMBER	PARTS NUMBER	DESCRIPTION	Q'TY	SERIAL NUMBER
007	257-04400-20	PROTECTOR	1	
009	994-63050-204	HEX.HOLE BOLT 5X20PS	1	
023	991-11100-013	SMALL NUT 10	1	
026	072-04400-91	CRANK CASE ASS'Y	1	
027	090-04400-20	CRANK CASE GASKET	1	
028	999-66152-564	OIL SEAL UD15257	2	
029	999-61620-200	BALL BEARING #6202, 35MM/OD	2	
032	071-02007-23	CRANK SHAFT SHIM 0.20	V	
032	071-02007-24	CRANK SHAFT SHIM 0.30	V	
036	994-61050-304	HEX. HOLE BOLT 5X30S	4	
051	155-20538-80	MAGNETO ROTOR COMP.	1	
052	992-01100-011	WASHER 10	1	
054	991-11100-011	NUT 10	1	
055	994-14050-101	SCREW 5X10/S	1	
060	132-04400-20	AIR DEFLECTOR	1	
066	112-04400-21	FAN CASE	1	
067	994-61050-204	HEX. HOLE BOLT 5X20/S	4	
069	203-11660-20	PRIMARY CORD GROMMET	1	

**B21-03****CG40EK(LP) ENGINE-1**

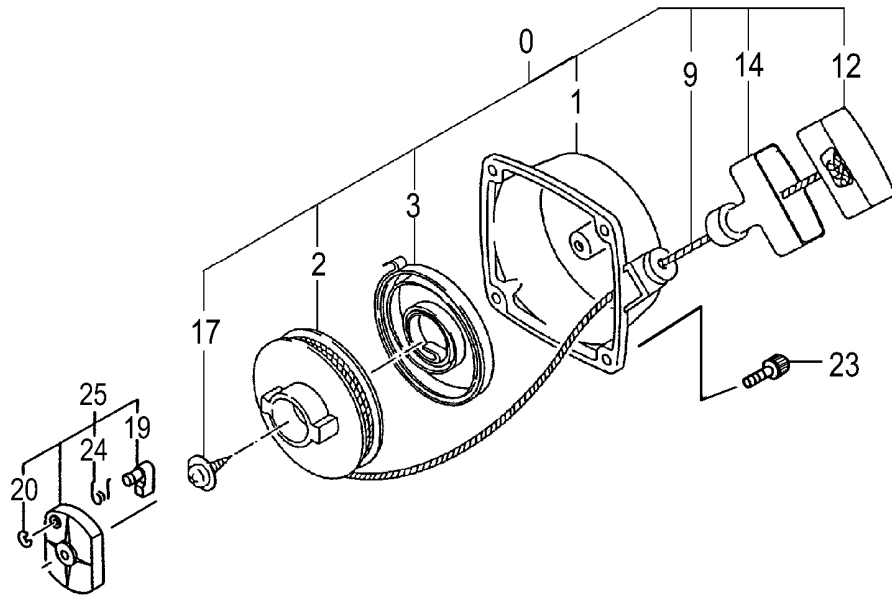
REF. NUMBER	PARTS NUMBER	DESCRIPTION	Q'TY	SERIAL NUMBER
001	738-0440A-21	MUFFLER PROTECTOR	1	
003	994-61050-124	HEX. HOLE BOLT 5X12S	1	
005	990-51060-653	HEX.HOLE BOLT 6X65	2	
006	992-01060-011	WASHER 6	2	
007	704-04401-90	MUFFLER SET,PN	1	
008	992-01050-061	WASHER 5	1	
010	721-04400-20	TAIL PIPE	1	
011	994-34040-081	SCREW 4X8S	1	
013	732-04400-20	MUFFLER ARRESTOR	1	
014	737-04230-20	MUFFLER GASKET	1	
016	133-04400-20	HEAT SHIELD	1	
023	994-63050-204	HEX.HOLE BOLT 5X20PS	2	
024	203-10000-20	PRIMARY CORD GROMMET	1	
025	994-61050-254	HEX. HOLE BOLT 5X25/S	2	
026	992-01050-061	WASHER 5	2	
081	359-10112-20	CLUTCH WASHER B	2	
082	290-04200-81	CLUTCH ARM COMP.	2	
083	342-04200-20	CLUTCH SPRING	1	
084	992-04100-030	WAVE WASHER 10	2	
085	357-04201-20	CLUTCH STEP BOLT	2	

**B21-04**

**CG40EK(LP) ENGINE-2**



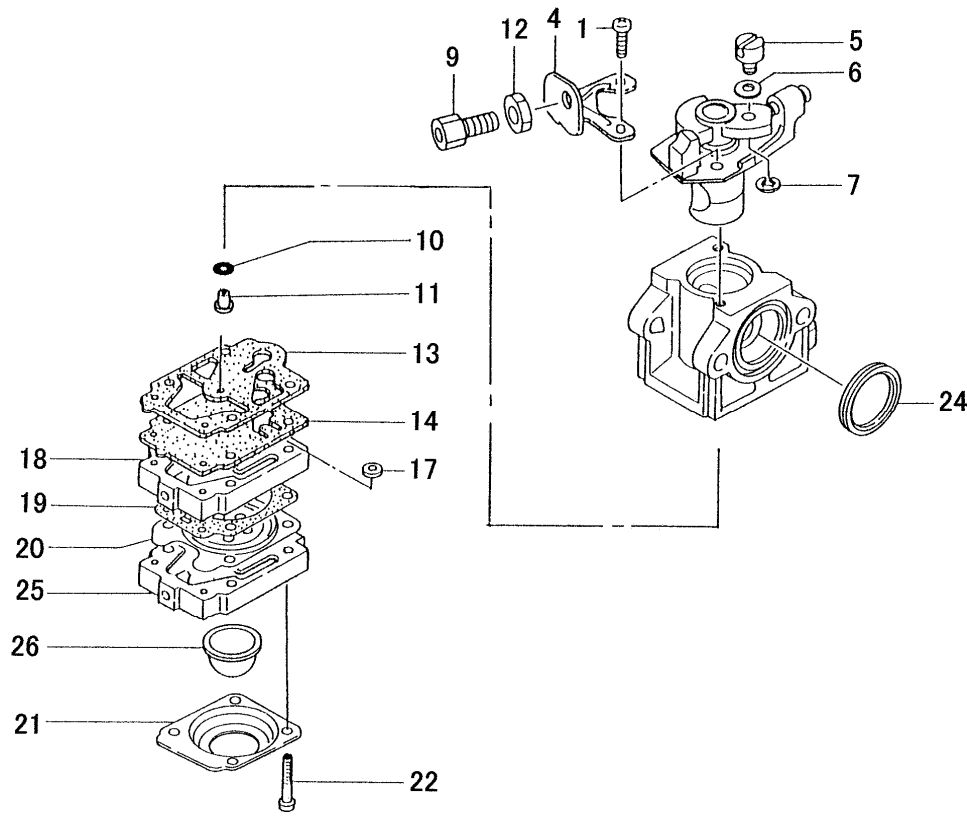
REF. NUMBER	PARTS NUMBER	DESCRIPTION	Q'TY	SERIAL NUMBER
031	403-04300-20	INLET MANIFOLD GASKET	1	
032	404-04300-90	CARB.INSULATOR SET, SPARE	1	
033	402-04300-20	CARBURETOR GASKET	1	
034	453-0637C-20	COLLAR	1	
035	470-01380-20	COLLAR	1	
036	423-01380-82	CLEANER BODY COMP	1	
037	528-01380-21	CHOKE VALVE	1	
038	476-01700-20	BLOW OVER CHECK BOARD	1	
039	446-01380-21	CLEANER ELEMENT 6T	2	
040	992-04080-031	WAVE WASHER 8	1	
041	452-01380-91	CLEANER COVER ASS'Y	1	
042	380-0637C-20	SPECIAL SCREW	1	
043	990-11050-602	SCREW 5X60	2	
044	992-10050-012	S.WASHER 5	2	
045	455-04400-90	CARBURETOR SET, PN	1	
046	786-00601-20	STARTER PAWL WASHER	2	
049	994-16050-253	HEX. HOLE BOLT 5X25WS	2	
062	649-01680-20	TANK FIXING COLLAR	1	
063	223-01251-90	FUEL PIPE ASS'Y 3X5X230	1	
064	680-00731-20	CLIP, 6.3 DIA.	1	
065	675-01630-90	PUMP FILTER BODY ASS'Y	1	
066	591-04400-22	TANK	1	
068	659-04300-20	COLLAR C	3	
070	595-00072-90	TANK CAP A'SSY	1	
071	626-32550-20	TANK CAP CHAIN	1	
072	561-00070-20	AIR VENT RUBBER CAP	1	
073	646-3252L-90	AIR VENT VALVE ASS'Y	1	
074	565-04400-21	AIR VENT PIPE	1	
075	564-04400-91	AIR VENT ASS'Y	1	
076	994-63050-204	HEX.HOLE BOLT 5X20PS	2	
077	940-04300-20	ENGINE BED	1	
078	700-03005-08	FUEL PIPE 3X5X85	1	
079	680-00206-20	CLIP 5.5	1	
080	222-06300-20	FUEL PIPE GROMMET	1	
086	994-61050-304	HEX. HOLE BOLT 5X30S	1	
087	992-01050-061	WASHER 5	1	

**B21-05****CG40EK(LP) RECOIL STARTER**

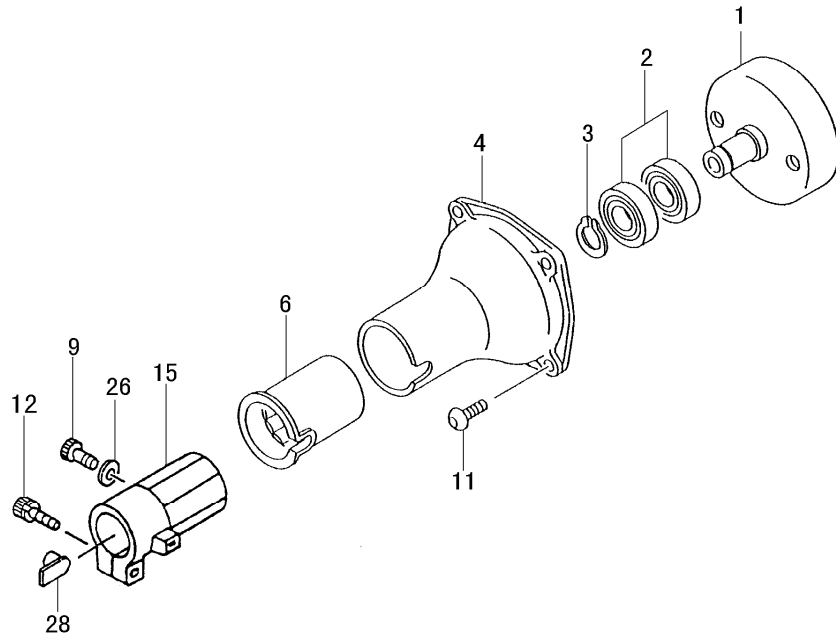
REF. NUMBER	PARTS NUMBER	DESCRIPTION	Q'TY	SERIAL NUMBER
000	762-04220-90	RECOIL STARTER BODY ASS'Y	1	
001	772-04220-80	RECOIL STARTER BODY COMP.	1	
002	769-04220-20	STARTER ROPE REEL	1	
003	779-04220-20	RECOIL SPRING	1	
009	783-04270-20	STARTER ROPE	1	
012	835-04220-20	STARTER HANDLE CAP	1	
014	785-04220-20	STARTER HANDLE	1	
017	839-04220-20	SET SCREW	1	
019	788-0162V-20	STARTER PAWL	1	
020	993-55050-000	STOP RING E-5	1	
023	991-11100-013	SMALL NUT 10	1	
024	790-0162V-20	STARTER PAWL SPRING	1	
025	798-04220-90	STARTER PULLEY	1	

**B21-06**

**CG40EK(LP) CABURETOR**

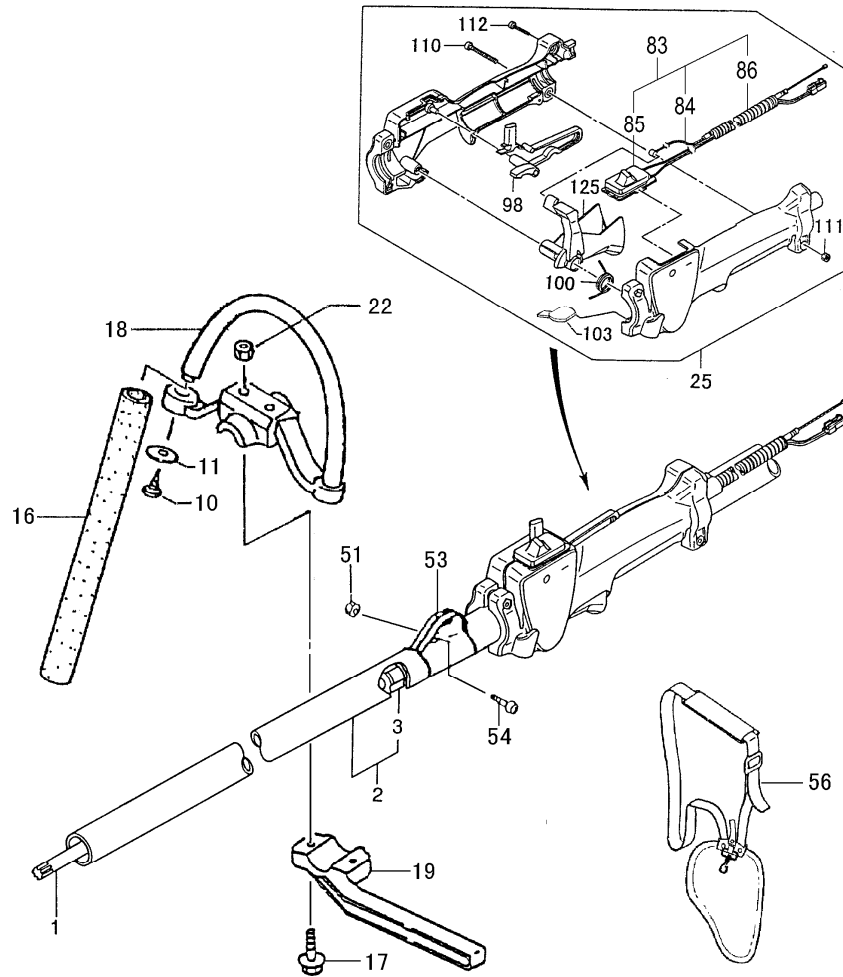


REF. NUMBER	PARTS NUMBER	DESCRIPTION	Q'TY	SERIAL NUMBER
001	514-25100-20	THROTTLE SET SCREW	2	
004	544-25164-20	CABLE ADJUSTER STAY	1	
005	539-25120-20	SWIVEL	1	
006	549-25165-20	THRUST WASHER	1	
007	489-25100-20	STOP RING	1	
009	614-25137-20	CABLE ADJUSTER	1	
010	550-25100-20	O-RING	1	
011	599-2001W-44	MAIN JET #44	1	
012	613-25100-20	CABLE ADJUST NUT	1	
013	577-25100-20	PUMP GASKET	1	
014	576-25100-20	PUMP DIAPHRAGM	1	
017	578-25007-20	INLET SCREEN	1	
018	575-25153-80	PUMP BODY COMP	1	
019	475-25153-20	DIAPHRAGM GASKET	1	
020	474-25001-80	METERING DIAPHRAGM COMP. #	1	
021	476-25151-20	DIAPHRAGM COVER	1	
022	548-25151-20	SET SCREW	4	
024	431-0634C-20	CLEANER PACKING	1	
025	442-25151-80	PRIMING PUMP COMP.	1	
026	447-25108-20	PRIMING BODY	1	

**B21-07****CG40EK(LP) CLUTCH CASE**

REF. NUMBER	PARTS NUMBER	DESCRIPTION	Q'TY	SERIAL NUMBER
001	289-04300-80	CLUTCH SHAFT COMP.	1	
002	999-61620-202	BALL BEARING #6202Z, 35MM/OD	2	
003	993-50015-002	STOP RING C-15, OUTER	1	
004	331-04300-20	CLUTCH CASE	1	
006	599-04300-20	CUSHION RUBBER	1	
009	990-51050-163	HEX. HOLE BOLT 5X16	1	
011	990-53060-203	HEX HOLE BUTTON SCREW 6X20	4	
012	990-54050-253	HEX HOLE BOLT 5 X 25	1	
015	360-04300-21	PIPE HOLDER	1	
026	992-01050-061	WASHER 5	1	
028	361-00990-20	METAL FITTING	1	

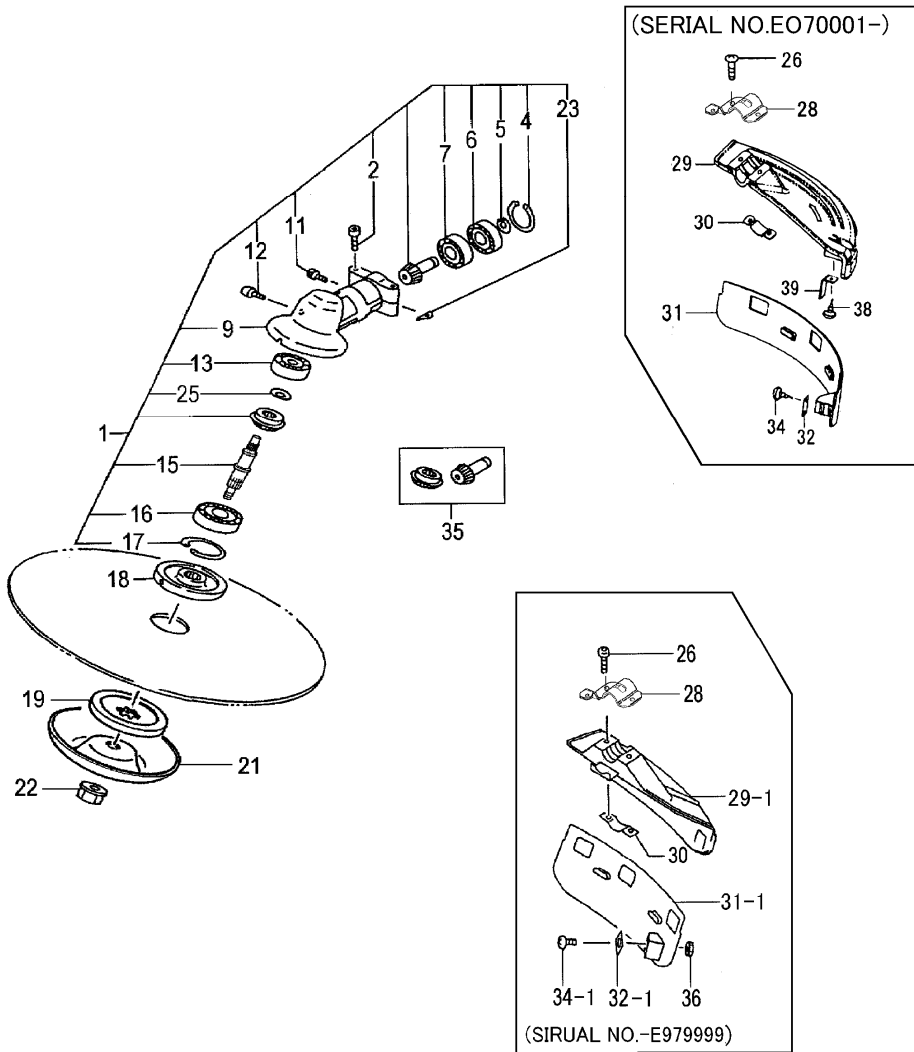


**B21-08****CG40EK(LP) OPERATION PIPE**

REF. NUMBER	PARTS NUMBER	DESCRIPTION	Q'TY	SERIAL NUMBER
001	343-37850-20	DRIVE SHAFT	1	
002	341-37850-80	DRIVE SHAFT COMP.	1	
003	347-37850-90	BUSH ASS'Y, 8 DIA.	5	
010	993-11052-012	TAPPING SCREW 5X20	1	
011	368-32350-20	BRAKE SHAFT WASHER	1	
016	503-3738E-20	HANDLE GRIP	1	
017	994-23060-432	BOLT 6X43/P	2	
018	500-3738E-20	LOOP HANDLE, 26DIA., BLACK	1	
019	520-33398-20	BARRIER, 26DIA, BLACK	1	
022	991-01060-041	HEX. NUT 6	2	
025	870-38103-90	THROTTLE LEVER ASS'Y	1	
051	991-01050-001	NUT 5	1	
053	335-33410-20	LIFTING METAL	1	
054	994-61050-164	HEX. HOLE BOLT 5X16S	1	
056	746-38253-90	SHOULDER BELT ASS'Y	1	
083	885-38103-80	THROTTLE WIRE COMP.	1	
084	887-38103-80	THROTTLE WIRE	1	
085	156-38103-80	STOP SWITCH COMP.	1	
086	164-07020-00	PROTECTION TUBE 200L	1	
098	253-38400-20	SAFETY LEVER	1	
100	832-38400-20	RETURN SPRING	1	
103	322-38400-20	BLIND PLUG	1	
110	994-31050-203	SCREW 5X20	2	
111	991-01050-043	CONTAL NUT 5	2	
112	993-46040-202	SCREW 4X20, BLACK	4	
125	880-38400-20	THROTTLE LEVER	1	

**B21-09**

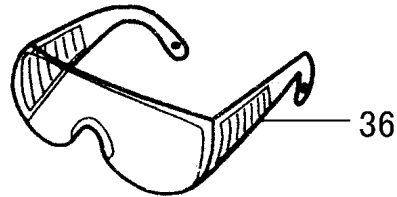
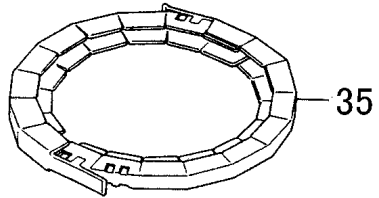
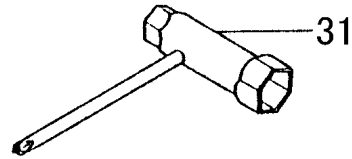
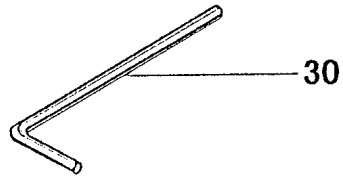
**CG40EK(LP) GEAR CASE**



REF. NUMBER	PARTS NUMBER	DESCRIPTION	Q'TY	SERIAL NUMBER
001	300-38331-90	GEAR CASE ASS'Y,26 DIA.	1	
002	994-61050-254	HEX. HOLE BOLT 5X25/S	2	
004	993-51024-002	STOP RING C-24, INNER	1	
005	993-50009-002	STOP RING C-9, OUTER	1	
006	999-61609-002	BALL BEARING 609Z ST	1	
007	999-61609-000	BALL BEARING 609	1	
009	300-3330B-20	GEAR CASE, 26 DIA.	1	
011	990-51050-103	HEX. HOLE BOLT 5X10	1	
012	994-23080-100	PLUS HEAD BOLT 8X10	1	
013	999-61628-000	BALL BEARING 628 ST	1	
015	304-38331-20	GEAR SHAFT	1	
016	999-61620-103	BALL BEARING 6201D, 32MM/OD	1	
017	993-51032-002	STOP RING C-32, INNER	1	
018	310-38100-20	CUTTER HOLDER, 12X10X1	1	
019	311-37850-20	CUTTER HOLDER CAP, 12X10X1	1	
021	308-37861-20	PROTECTION COVER B	1	
022	313-38100-20	CUTTER FIXING NUT,L/H	1	
023	324-37350-20	GEAR CASE WASHER	1	
025	067-37134-20	SPECIAL WASHER 1.0	1	
026	994-81060-254	HEX. HOLE BUTTON SCREW 6X25S	2	
028	442-33699-20	COVER BRACKET, 26 DIA.	1	
029,1	441-37380-20	SAFETY COVER, CE	1	- E979999
029	441-38331-20	BLAD GUARD 26CE	1	E070001 -
030	445-37380-20	SAFETY COVER HOLDER	1	
031,1	447-37380-20	COVER GUARD	1	- E979999
310	447-38331-20	COVER GUARD	1	E070001 -
032,1	797-37380-21	KNIFE	1	- E979999
032	797-37714-20	KNIFE	1	E070001 -
034,1	994-14050-121	SCREW 5X12/S	1	- E979999
034	993-48040-142	TAPPING SCREW 4X14P	1	E070001 -
035	301-37134-00	GEAR-PINION SET, SPARE	1	
036	991-01050-011	HEX. NUT 5	1	- E979999
038	993-17052-002	TAPPING SCREW 5X20	1	E070001 -
039	797-38331-20	KNIFN	1	E070001 -

**B21-10**

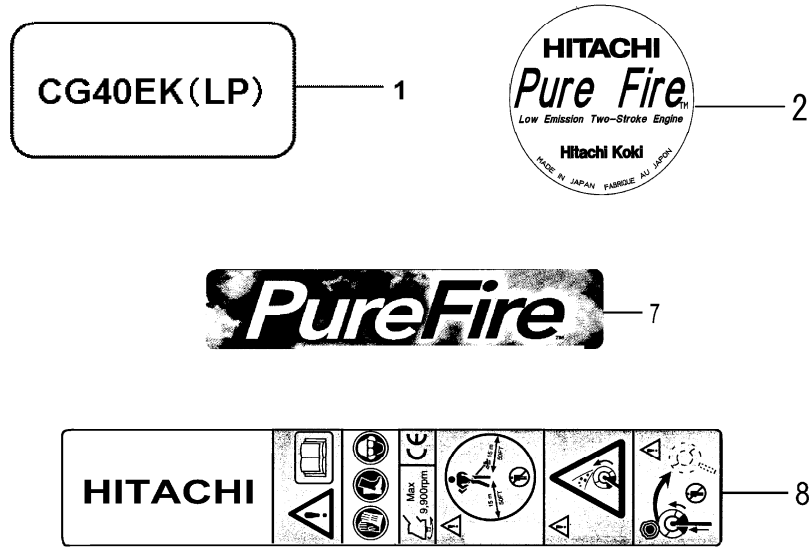
**CG40EK(LP) TOOLS**



REF. NUMBER	PARTS NUMBER	DESCRIPTION	Q'TY	SERIAL NUMBER
030	813-20000-20	HEX. WRENCH 4	1	
031	826-20000-80	COMBI, BOX WRENCH 17X19	1	
035	615-37224-20	CUTTER COVER	2	
036	541-37590-20	PROTECTION GLASSES	1	

**B21-11**

**CG40EK(LP) LABELS**



REF. NUMBER	PARTS NUMBER	DESCRIPTION	Q'TY	SERIAL NUMBER
001	906-04416-20	NAME PLATE CG40EK(P)	1	
002	929-04416-21	SYMBOL MARK HITACHI	1	
007	929-38100-20	SYMBOL MARK	1	
008	919-38515-20	CAUTION MARK 9900RPM	1	