

**B35**

**CG40EYA(TP)**

**Serial No.**

MPREF	MPHIN	MPNAM	MPQTY1	MPCMPQTY3	MPS
		+++++++ MODEL:CG40EYA ++++++			
		B35-01 CYLINDER/PISTON/CRANK			
005	255-04200-20	SPARK PLUG RUBBER COVER	1		
006	157-11666-90	SPARK PLUG CAP ASS'Y	1		
008	018-00555-20	SPARK PLUG, RCJ8Y	1		
011	001-04405-90	CYLINDER SET	1		
012	994-61050-204	HEX. HOLE BOLT 5X20/S	4		
014	017-04400-20	CYLINDER GASKET	1		
015	041-04050-20	PISTON RING	2		
016	030-04400-90	PISTON SET	1		
017	037-01000-20	PISTON PIN 10X30	1		
018	039-05004-20	PISTON PIN CIRCLIP	2		
021	046-04400-80	CRANK SHAFT COMP.	1		
022	999-62101-004	NEEDLE BRG F1010B 1.4X8.6	1		
031	068-02000-20	WOOD-RUFF KEY 3X13X5	1		
043	167-20543-80	IGNITION COIL COMP.	1		
044	560-20517-20	RUBBER CAP	1		
045	178-20543-22	HIGHT TENSION CORD	1		
046	167-20543-91	IGNITION COIL ASS'Y	1		
050	191-04405-90	LEAD WIRE ASS'Y	1		
056	994-16040-183	SCREW 4X18/WS	2		
059	182-0186A-20	WASHER	2		
063	198-11600-80	CORD CLAMP COMP.	1		
		B35-02 CRANK CASE			
023	991-11100-013	SMALL NUT 10	1		
026	072-04400-91	CRANK CASE ASS'Y	1		
027	090-04400-20	CRANK CASE GASKET	1		
028	999-66152-564	OIL SEAL UD15257	2		
029	999-61620-200	BALL BEARING #6202, 35MM/OD	2		
032	071-02007-20	CRANK SHAFT SHIM 0.05	V		
032	071-02007-21	CRANK SHAFT SHIM 0.10	V		
032	071-02007-22	CRANK SHAFT SHIM 0.15	V		
032	071-02007-23	CRANK SHAFT SHIM 0.20	V		
032	071-02007-24	CRANK SHAFT SHIM 0.30	V		
036	994-61050-304	HEX. HOLE BOLT 5X30S	4		
051	155-20538-80	MAGNETO ROTOR COMP.	1		
052	992-01100-011	WASHER 10	1		
054	991-11100-011	NUT 10	1		
		B35-03 ENGINE-1			
031	403-04300-20	INLET MANIFOLD GASKET	1		
032	404-04300-90	CARB. INSULATOR SET, SPARE	1		
033	402-04300-20	CARBURETOR GASKET	1		
034	453-0637C-20	COLLAR	1		
035	470-01380-20	COLLAR	1		
036	423-01380-82	CLEANER BODY COMP	1		
037	528-01380-21	CHOKE VALVE	1		
038	476-01700-20	BLOW OVER CHECK BOARD	1		
039	446-01380-21	CLEANER ELEMENT 6T	2		
040	992-04080-031	WAVE WASHER 8	1		
041	452-01380-91	CLEANER COVER ASS'Y	1		
042	380-0637C-20	SPECIAL SCREW	1		
043	990-11050-602	SCREW 5X60	2		
044	992-10050-012	S. WASHER 5	2		
045	455-04400-90	CARBURETOR SET, PN	1		

046	786-00601-20	STARTER PAWL WASHER	2
049	994-16050-253	HEX. HOLE BOLT 5X25WS	2
062	649-01680-20	TANK FIXING COLLAR	1
063	223-01251-90	FUEL PIPE ASS'Y 3X5X230	1
064	680-00731-20	CLIP, 6.3 DIA.	1
065	675-01630-90	PUMP FILTER BODY ASS'Y	1
066	591-04400-22	TANK	1
068	659-04300-20	COLLAR C	3
070	595-00072-90	TANK CAP ASS'Y	1
072	561-00070-20	AIR VENT RUBBER CAP	1
073	646-3252L-90	AIR VENT VALVE ASS'Y	1
074	565-04400-21	AIR VENT PIPE	1
075	564-04400-91	AIR VENT ASS'Y	1
076	994-63050-204	HEX. HOLE BOLT 5X20PS	2
077	940-04300-20	ENGINE BED	1
078	700-03005-08	FUEL PIPE 3X5X85	1
079	680-00206-20	CLIP 5.5	1
080	222-06300-20	FUEL PIPE GROMMET	1
086	626-32550-20	TANK CAP CHAIN	1
087	992-01050-061	WASHER 5	1
088	994-61050-304	HEX. HOLE BOLT 5X30S	1
		B35-04 ENGINE-2	
001	738-0440A-21	MUFFLER PROTECTOR	1
003	994-61050-124	HEX. HOLE BOLT 5X12S	1
005	990-51060-653	HEX. HOLE BOLT 6X65	2
006	992-01060-011	WASHER 6	2
007	704-04401-90	MUFFLER SET, PN	1
008	992-01050-061	WASHER 5	1
010	721-04400-20	TAIL PIPE	1
011	994-34040-081	SCREW 4X8S	1
013	732-04400-20	MUFFLER ARRESTOR	1
014	737-04230-20	MUFFLER GASKET	1
016	133-04400-20	HEAT SHIELD	1
024	203-10000-20	PRIMARY CORD GROMMET	1
025	994-61050-254	HEX. HOLE BOLT 5X25/S	2
026	992-01050-061	WASHER 5	2
081	359-10112-20	CLUTCH WASHER B	2
082	290-04200-81	CLUTCH ARM COMP.	2
083	342-04200-20	CLUTCH SPRING	1
084	992-04100-030	WAVE WASHER 10	2
085	357-04201-20	CLUTCH STEP BOLT	2
		B35-05 RECOIL STARTER	
000	762-04220-90	RECOIL STARTER BODY ASS'Y	1
001	772-04220-80	RECOIL STARTER BODY COMP.	1
002	769-04220-20	STARTER ROPE REEL	1
003	779-04220-20	RECOIL SPRING	1
009	783-04270-20	STARTER ROPE	1
012	835-04220-20	STARTER HANDLE CAP	1
014	785-04220-20	STARTER HANDLE	1
017	839-04220-20	SET SCREW	1
023	994-63050-204	HEX. HOLE BOLT 5X20PS	2
019	788-0162V-20	STARTER PAWL	1
020	993-55050-000	STOP RING E-5	1
023	994-63050-204	HEX. HOLE BOLT 5X20PS	2
024	790-0162V-20	STARTER PAWL SPRING	1

025	798-04220-90	STARTER PULLEY	1
		B35-06 CARBURETOR	
001	514-25100-20	THROTTLE SET SCREW	2
004	544-25164-20	CABLE ADJUSTER STAY	1
005	539-25120-20	SWIVEL	1
006	549-25165-20	THRUST WASHER	1
007	489-25100-20	STOP RING	1
009	614-25137-20	CABLE ADJUSTER	1
010	550-25100-20	O-RING	1
011	599-2001W-44	MAIN JET #44	1
012	613-25100-20	CABLE ADJUST NUT	1
013	577-25100-20	PUMP GASKET	1
014	576-25100-20	PUMP DIAPHRAGM	1
017	578-25007-20	INLET SCREEN	1
018	575-25153-80	PUMP BODY COMP	1
019	475-25153-20	DIAPHRAGM GASKET	1
020	474-25001-80	METERING DIAPHRAGM COMP.	# 1
021	476-25151-20	DIAPHRAGM COVER	1
022	548-25151-20	SET SCREW	4
024	431-0634C-20	CLEANER PACKING	1
025	442-25151-80	PRIMING PUMP COMP.	1
026	447-25108-20	PRIMING BODY	1
		B35-07 FAN CASE	
001	289-04308-80	CLUTCH SHAFT COMP.	1
003	999-61620-201	BALL BEARING #6202ZZ, 35MM/OD	1
004	993-51035-002	STOP RING C-35, INNER	1
005	993-50015-002	STOP RING C-15, OUTER	1
007	257-04400-20	PROTECTOR	1
009	994-63050-204	HEX. HOLE BOLT 5X20PS	1
015	990-54060-253	HEX. HOLE BOLT 6X25	1
055	994-14050-101	SCREW 5X10/S	1
060	132-04400-20	AIR DEFLECTOR	1
066	112-04308-22	FAN CASE	1
067	994-61050-204	HEX. HOLE BOLT 5X20/S	4
069	203-11660-20	PRIMARY CORD GROMMET	1
		B35-08 OPERATION PIPE	
001	343-38101-20	DRIVE SHAFT, 1552L	1
002	341-37861-80	DRIVE SHAFT PIPE	1
003	347-37100-90	BUSHING ASS'Y	5
011	512-37861-80	KNOB BOLT	1
013	506-37861-20	HANDLE BRACKET A	1
014	507-37861-20	HANDLE BRACKET B	1
015	522-37861-20	SUPPORT HOLDER	1
016	521-37861-80	HANDLE SUPPORT COMP.	1
017	315-37861-20	SPECIAL NUT M6X1.0	1
018	326-37180-21	ANTI-VIBE RUBBER	4
020	991-87060-001	NUT 6 UPS-P	1
021	990-54060-303	HEX. HOLE BOLT 6X30	1
063	165-37861-20	HANDLE GRIP	1
074	198-37861-21	CORD CLAMP	3
091	746-37180-91	SHOULDER BELT ASSY	1
092	501-37861-21	HANDLE	1
093	198-3332A-20	CORD CLAMP	1
		@	
		B35-09 THROTTLE LEVER	

084	164-07093-00	PROTECTION TUBE, 930L	1
095	870-38110-91	THROTTLE LEVER A' SSSY	1
098	253-38400-20	SAFETY LEVER	1
100	832-38400-20	RETURN SPRING	1
101	880-38401-20	THROTTLE LEVER	1
106	993-46040-202	SCREW 4X20, BLACK	2
107	994-31050-303	SCREW 5X30, BLACK	1
108	991-01050-043	CONTAL NUT 5	1
110	156-38110-80	STOP SWITCH COMP.	1
120	887-38110-80	THROTTLE WIRE, 4T	1
125	885-38110-80	THROTTLE WIRE COMP.	1
		B35-10 GEAR CASE/GUARD	
001	300-37861-91	GEAR CASE ASS'Y, 30 DIA	1
002	994-61050-254	HEX. HOLE BOLT 5X25/S	2
004	993-51028-002	STOP RING C-28, INNER	1
005	993-50012-002	STOP RING C-12, OUTER	1
006	999-61600-102	BALL BEARING #6001Z, 28MM/OD	1
007	999-61600-115	BALL BEARING 6001 C3	1
009	300-33392-21	GEARCASE, SILVER	1
010	992-10050-062	S. WASHER 5	1
011	990-51050-123	HEX. HOLE BOLT 5X12	1
012	994-23080-100	PLUS HEAD BOLT 8X10	1
013	999-61600-000	BALL BEARING #6000, 26MM/OD	1
015	304-37850-21	GEAR SHAFT 6X11X14	1
016	999-61620-303	BALL BEARING #6203D, 40MM/OD	1
017	993-51040-002	STOP RING C-40, INNER	1
018	310-37100-22	CUTTER HOLDER	1
019	311-37861-20	CUTTER HOLDER CAP, 6X11X14	1
020	307-37100-81	PROTECTION COVER A COMP.	1
021	994-16050-162	SCREW 5X16/WS	3
022	313-38100-20	CUTTER FIXING NUT, L/H	1
023	324-37110-20	GEAR CASE WASHER	2
026	994-81060-254	HEX. HOLE BUTTON SCREW 6X25S	2
028	442-37862-20	COVER BRACKET 30	1
029	441-37130-21	BLADE GUARD 30 CE	1
030	445-37380-20	SAFETY COVER HOLDER	1
031	447-37380-20	COVER GUARD	1
032	797-37380-21	KNIFE	1
034	994-14050-121	SCREW 5X12/S	1
035	301-37100-00	GEAR-PINION SET, SPARE	1
036	991-01050-011	HEX. NUT 5	1
		B35-11 TOOLS	
004	814-20000-20	HEX. WRENCH 5	1
005	813-20000-20	HEX. WRENCH 4	1
012	308-37861-20	PROTECTION COVER B	1
030	541-37590-20	PROTECTION GLASSES	1
031	826-20000-20	BOX SPANNER 17X19	1
035	615-37181-20	CUTTER COVER	1
036	810-37181-20	CUTTING BLADE 3TX305XT3.0	1
		B35-12 LABELS	
001	906-48111-20	NAME PLATE CG40EYA(TP)	1
002	929-04416-21	SYMBOL MARK HITACHI	1
003	929-38100-20	SYMBOL MARK	1
008	919-38515-20	CAUTION MARK 9900RPM	1

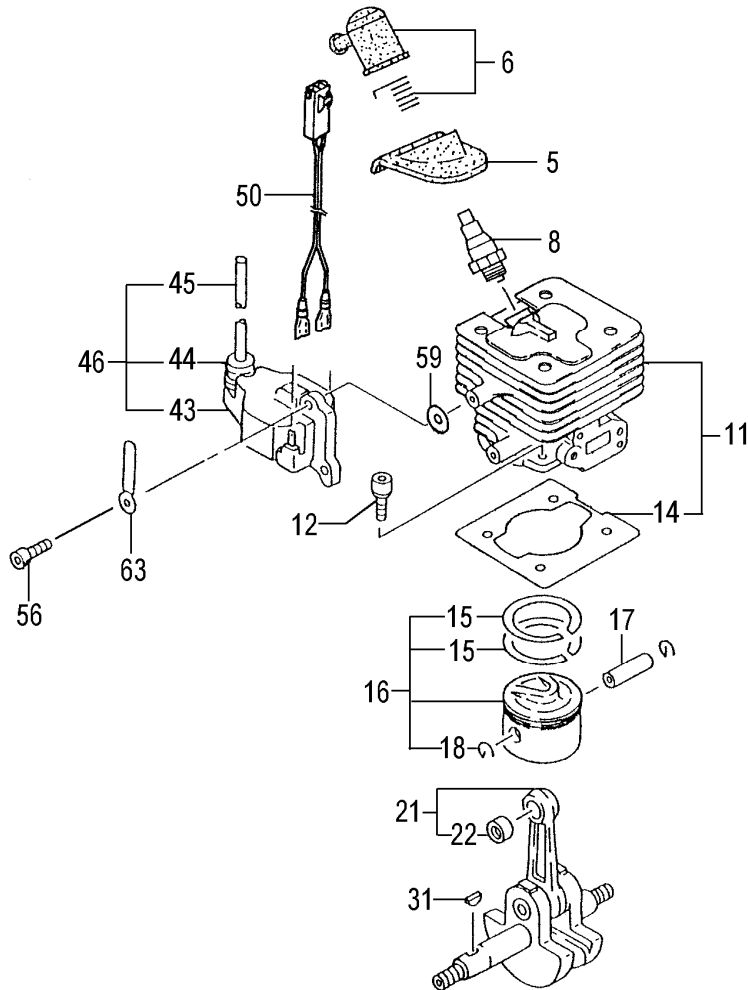








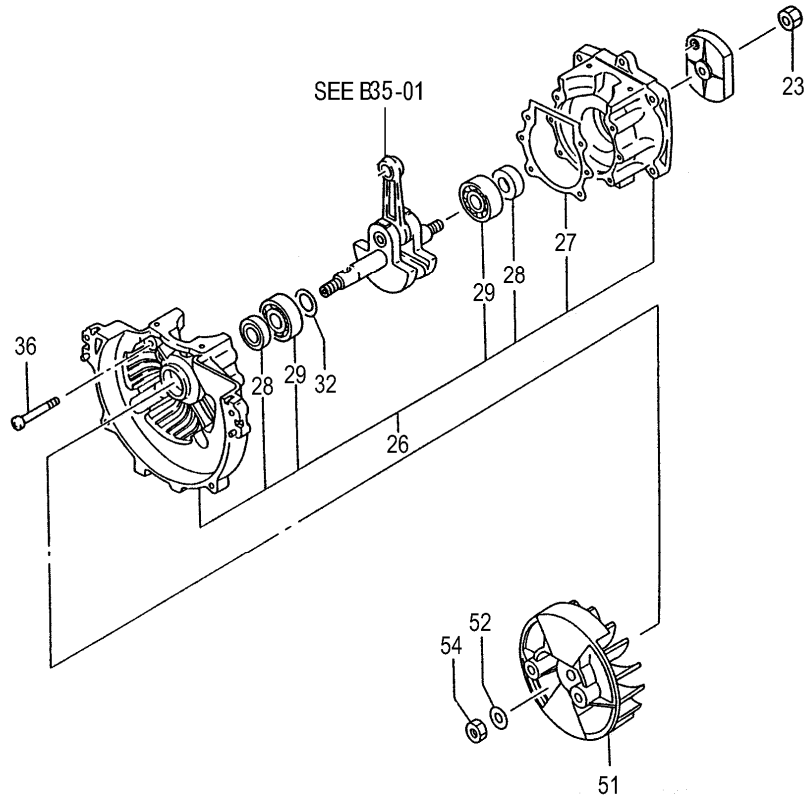


**B35-01****CG40EYA(TP) CYLINDER/PISTON/CRANK SHAFT**

REF. NUMBER	PARTS NUMBER	DESCRIPTION	Q'TY	SERIAL NUMBER
005	255-04200-20	SPARK PLUG RUBBER COVER	1	
006	157-11666-90	SPARK PLUG CAP ASS'Y	1	
008	018-00555-20	SPARK PLUG, RCJ8Y	1	
011	001-04405-90	CYLINDER SET	1	
012	994-61050-204	HEX. HOLE BOLT 5X20/S	4	
014	017-04400-20	CYLINDER GASKET	1	
015	041-04050-20	PISTON RING	2	
016	030-04400-90	PISTON SET	1	
017	037-01000-20	PISTON PIN 10X30	1	
018	039-05004-20	PISTON PIN CIRCLIP	2	
021	046-04400-80	CRANK SHAFT COMP.	1	
022	999-62101-004	NEEDLE BRG F1010B 1.4X8	1	
031	068-02000-20	WOOD-RUFF KEY 3X13X5	1	
043	167-20543-80	IGNITION COIL COMP.	1	
044	560-20517-20	RUBBER CAP	1	
045	178-20543-22	HIGHT TENSION CORD	1	
046	167-20543-91	IGNITION COIL ASS'Y	1	
050	191-04405-90	LEAD WIRE ASS'Y	1	
056	994-16040-183	SCREW 4X18/WS	2	
059	182-0186A-20	WASHER	2	
063	198-11600-80	CORD CLAMP COMP.	1	

**B35-02**

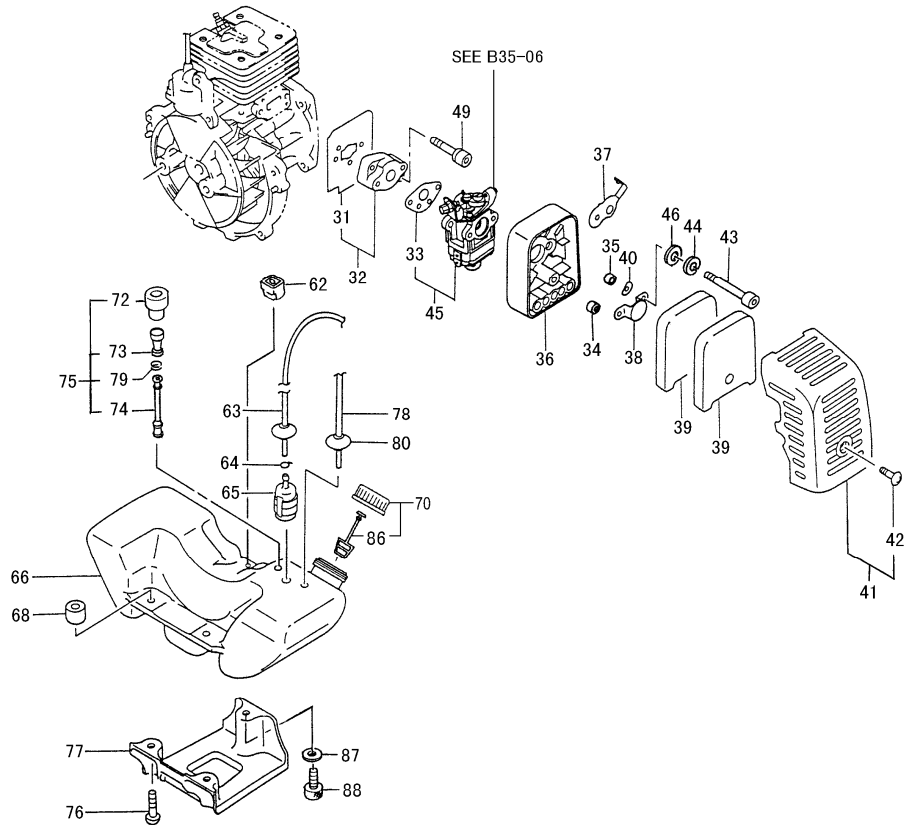
**CG40EYA(TP) CRANK CASE**



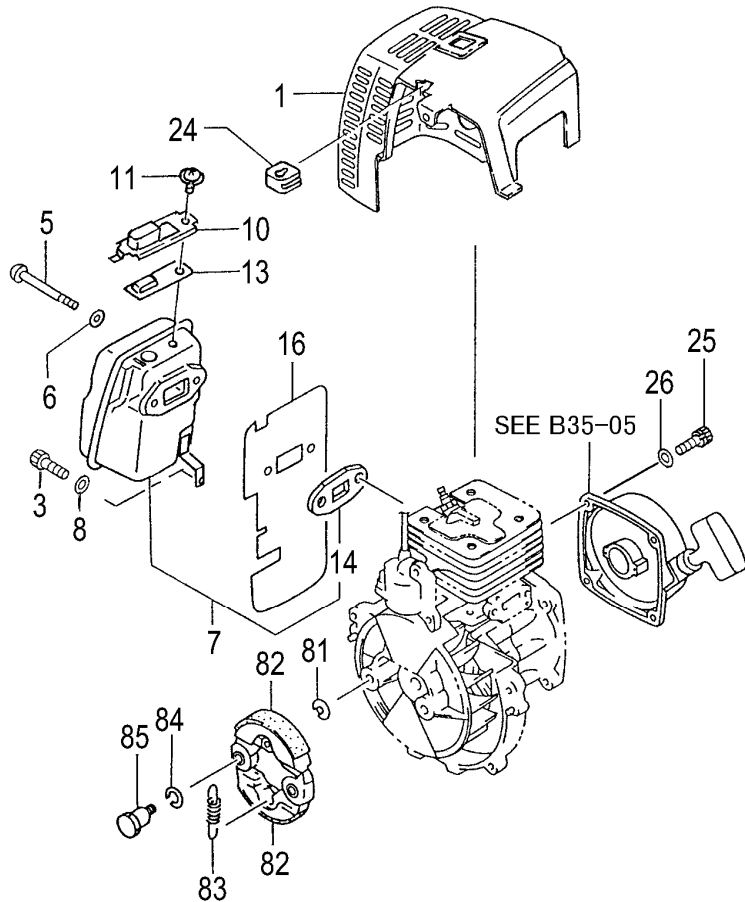
REF. NUMBER	PARTS NUMBER	DESCRIPTION	QTY	SERIAL NUMBER
023	991-11100-013	SMALL NUT 10	1	
026	072-04400-91	CRANK CASE ASS'Y	1	
027	090-04400-20	CRANK CASE GASKET	1	
028	999-66152-564	OIL SEAL UD15257	2	
029	999-61620-200	BALL BEARING #6202, 35MM	2	
032	071-02007-20	CRANK SHAFT SHIM 0.05	V	
032	071-02007-21	CRANK SHAFT SHIM 0.10	V	
032	071-02007-22	CRANK SHAFT SHIM 0.15	V	
032	071-02007-23	CRANK SHAFT SHIM 0.20	V	
032	071-02007-24	CRANK SHAFT SHIM 0.30	V	
036	994-61050-304	HEX. HOLE BOLT 5X30S	4	
051	155-20538-80	MAGNETO ROTOR COMP.	1	
052	992-01100-011	WASHER 10	1	
054	991-11100-011	NUT 10	1	

**B35-03**

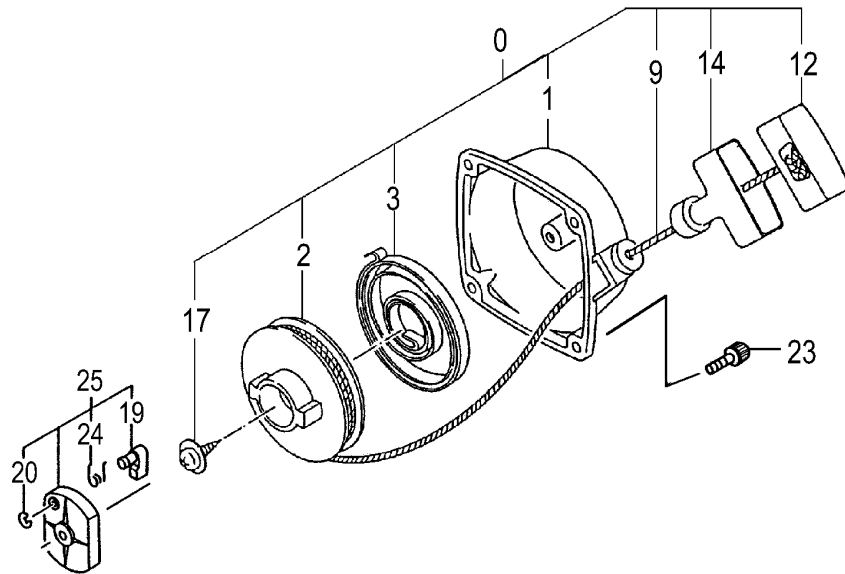
**CG40EYA(TP) ENGINE-1**



REF. NUMBER	PARTS NUMBER	DESCRIPTION	QTY	SERIAL NUMBER
031	403-04300-20	INLET MANIFOLD GASKET	1	
032	404-04300-90	CARB.INSULATOR SET, SP	1	
033	402-04300-20	CARBURETOR GASKET	1	
034	453-0637C-20	COLLAR	1	
035	470-01380-20	COLLAR	1	
036	423-01380-82	CLEANER BODY COMP	1	
037	528-01380-21	CHOKE VALVE	1	
038	476-01700-20	BLOW OVER CHECK BOAR	1	
039	446-01380-21	CLEANER ELEMENT 6T	2	
040	992-04080-031	WAVE WASHER 8	1	
041	452-01380-91	CLEANER COVER ASS'Y	1	
042	380-0637C-20	SPECIAL SCREW	1	
043	990-11050-602	SCREW 5X60	2	
044	992-10050-012	S.WASHER 5	2	
045	455-04400-90	CARBURETOR SET, PN	1	
046	786-00601-20	STARTER PAWL WASHER	2	
049	994-16050-253	HEX. HOLE BOLT 5X25WS	2	
062	649-01680-20	TANK FIXING COLLAR	1	
063	223-01251-90	FUEL PIPE ASS'Y 3X5X230	1	
064	680-00731-20	CLIP, 6.3 DIA.	1	
065	675-01630-90	PUMP FILTER BODY ASS'Y	1	
066	591-04400-22	TANK	1	
068	659-04300-20	COLLAR C	3	
070	595-00072-90	TANK CAP ASS'Y	1	
072	561-00070-20	AIR VENT RUBBER CAP	1	
073	646-3252L-90	AIR VENT VALVE ASS'Y	1	
074	565-04400-21	AIR VENT PIPE	1	
075	564-04400-91	AIR VENT ASS'Y	1	
076	994-63050-204	HEX.HOLE BOLT 5X20PS	2	
077	940-04300-20	ENGINE BED	1	
078	700-03005-08	FUEL PIPE 3X5X85	1	
079	680-00206-20	CLIP 5.5	1	
080	222-06300-20	FUEL PIPE GROMMET	1	
086	626-32550-20	TANK CAP CHAIN	1	
087	992-01050-061	WASHER 5	1	
088	994-61050-304	HEX. HOLE BOLT 5X30S	1	

**B35-04****CG40EYA(TP) ENGINE-2**

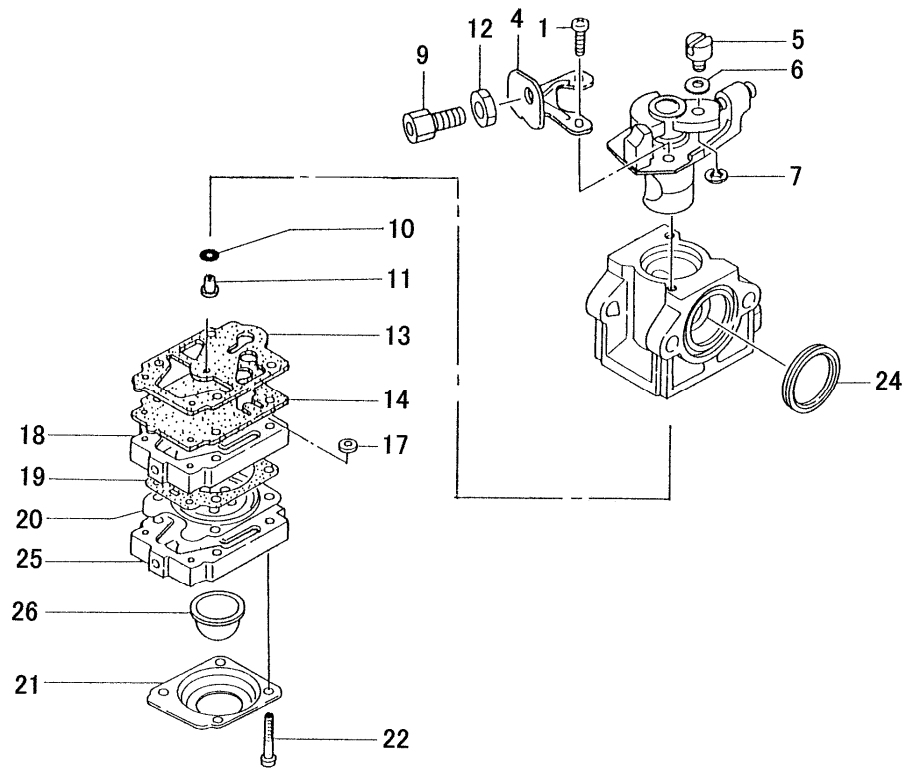
REF. NUMBER	PARTS NUMBER	DESCRIPTION	QTY	SERIAL NUMBER
001	738-0440A-21	MUFFLER PROTECTOR	1	
003	994-61050-124	HEX. HOLE BOLT 5X12S	1	
005	990-51060-653	HEX.HOLE BOLT 6X65	2	
006	992-01060-011	WASHER 6	2	
007	704-04401-90	MUFFLER SET,PN	1	
008	992-01050-061	WASHER 5	1	
010	721-04400-20	TAIL PIPE	1	
011	994-34040-081	SCREW 4X8S	1	
013	732-04400-20	MUFFLER ARRESTOR	1	
014	737-04230-20	MUFFLER GASKET	1	
016	133-04400-20	HEAT SHIELD	1	
024	203-10000-20	PRIMARY CORD GROMMET	1	
025	994-61050-254	HEX. HOLE BOLT 5X25/S	2	
026	992-01050-061	WASHER 5	2	
081	359-10112-20	CLUTCH WASHER B	2	
082	290-04200-81	CLUTCH ARM COMP.	2	
083	342-04200-20	CLUTCH SPRING	1	
084	992-04100-030	WAVE WASHER 10	2	
085	357-04201-20	CLUTCH STEP BOLT	2	

**B35-05****CG40EYA(TP) RECOIL STARTER**

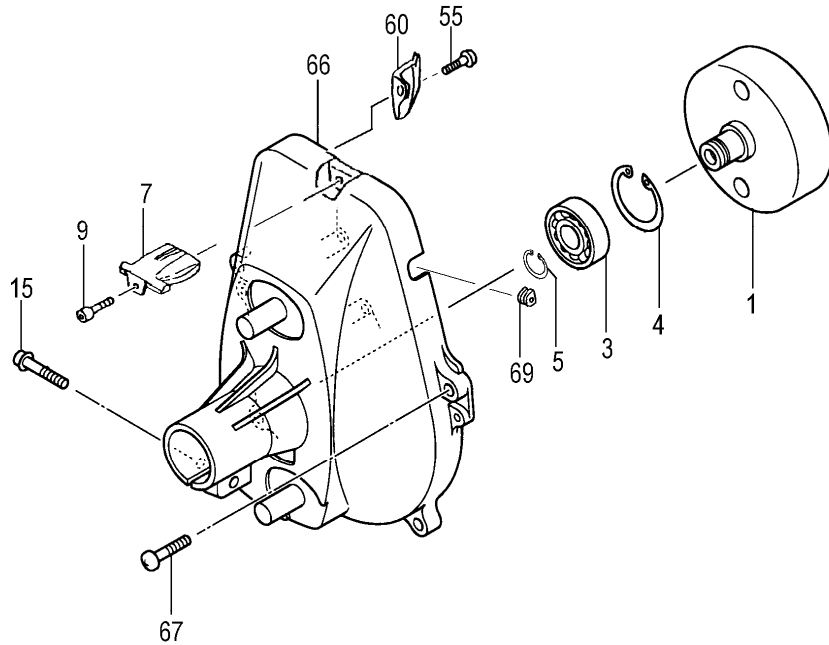
REF. NUMBER	PARTS NUMBER	DESCRIPTION	QTY	SERIAL NUMBER
000	762-04220-90	RECOIL STARTER BODY AS	1	
001	772-04220-80	RECOIL STARTER BODY C	1	
002	769-04220-20	STARTER ROPE REEL	1	
003	779-04220-20	RECOIL SPRING	1	
009	783-04270-20	STARTER ROPE	1	
012	835-04220-20	STARTER HANDLE CAP	1	
014	785-04220-20	STARTER HANDLE	1	
017	839-04220-20	SET SCREW	1	
023	994-63050-204	HEX.HOLE BOLT 5X20PS	2	
019	788-0162V-20	STARTER PAWL	1	
020	993-55050-000	STOP RING E-5	1	
023	994-63050-204	HEX.HOLE BOLT 5X20PS	2	
024	790-0162V-20	STARTER PAWL SPRING	1	
025	798-04220-90	STARTER PULLEY	1	

**B35-06**

**CG40EYA(TP) CABURETOR**



REF. NUMBER	PARTS NUMBER	DESCRIPTION	Q'TY	SERIAL NUMBER
001	514-25100-20	THROTTLE SET SCREW	2	
004	544-25164-20	CABLE ADJUSTER STAY	1	
005	539-25120-20	SWIVEL	1	
006	549-25165-20	THRUST WASHER	1	
007	489-25100-20	STOP RING	1	
009	614-25137-20	CABLE ADJUSTER	1	
010	550-25100-20	O-RING	1	
011	599-2001W-44	MAIN JET #44	1	
012	613-25100-20	CABLE ADJUST NUT	1	
013	577-25100-20	PUMP GASKET	1	
014	576-25100-20	PUMP DIAPHRAGM	1	
017	578-25007-20	INLET SCREEN	1	
018	575-25153-80	PUMP BODY COMP	1	
019	475-25153-20	DIAPHRAGM GASKET	1	
020	474-25001-80	METERING DIAPHRAGM CO	1	
021	476-25151-20	DIAPHRAGM COVER	1	
022	548-25151-20	SET SCREW	4	
024	431-0634C-20	CLEANER PACKING	1	
025	442-25151-80	PRIMING PUMP COMP.	1	
026	447-25108-20	PRIMING BODY	1	

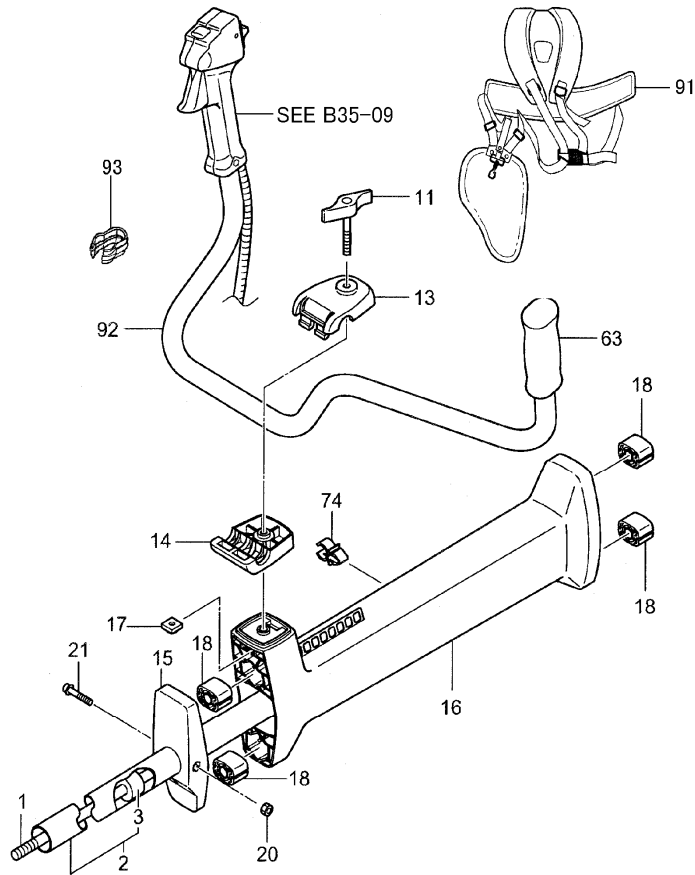
**B35-07****CG40EYA(TP) FAN CASE**

REF. NUMBER	PARTS NUMBER	DESCRIPTION	QTY	SERIAL NUMBER
001	289-04308-80	CLUTCH SHAFT COMP.	1	
003	999-61620-201	BALL BEARING #6202ZZ, 35	1	
004	993-51035-002	STOP RING C-35, INNER	1	
005	993-50015-002	STOP RING C-15, OUTER	1	
007	257-04400-20	PROTECTOR	1	
009	994-63050-204	HEX.HOLE BOLT 5X20PS	1	
015	990-54060-253	HEX.HOLE BOLT 6X25	1	
055	994-14050-101	SCREW 5X10/S	1	
060	132-04400-20	AIR DEFLECTOR	1	
066	112-04308-22	FAN CASE	1	
067	994-61050-204	HEX. HOLE BOLT 5X20/S	4	
069	203-11660-20	PRIMARY CORD GROMMET	1	

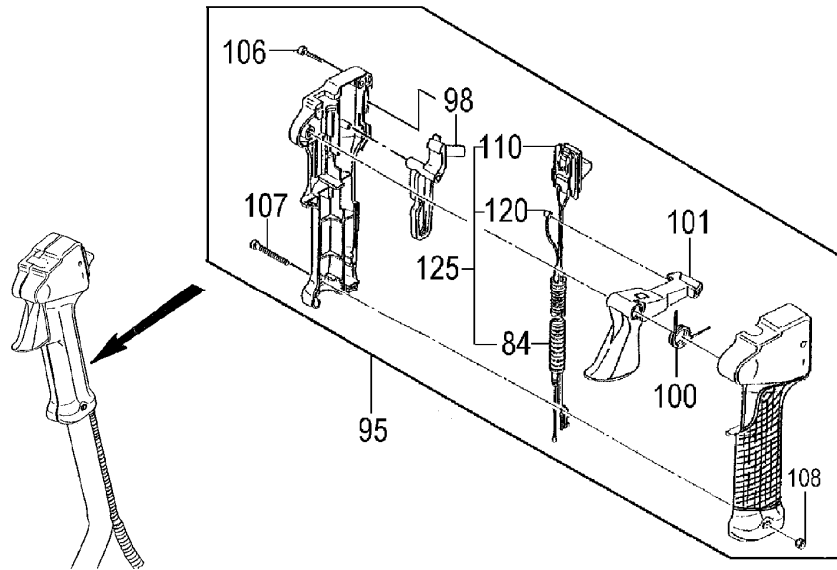


**B35-08**

**CG40EYA(TP) OPERATION PIPE**



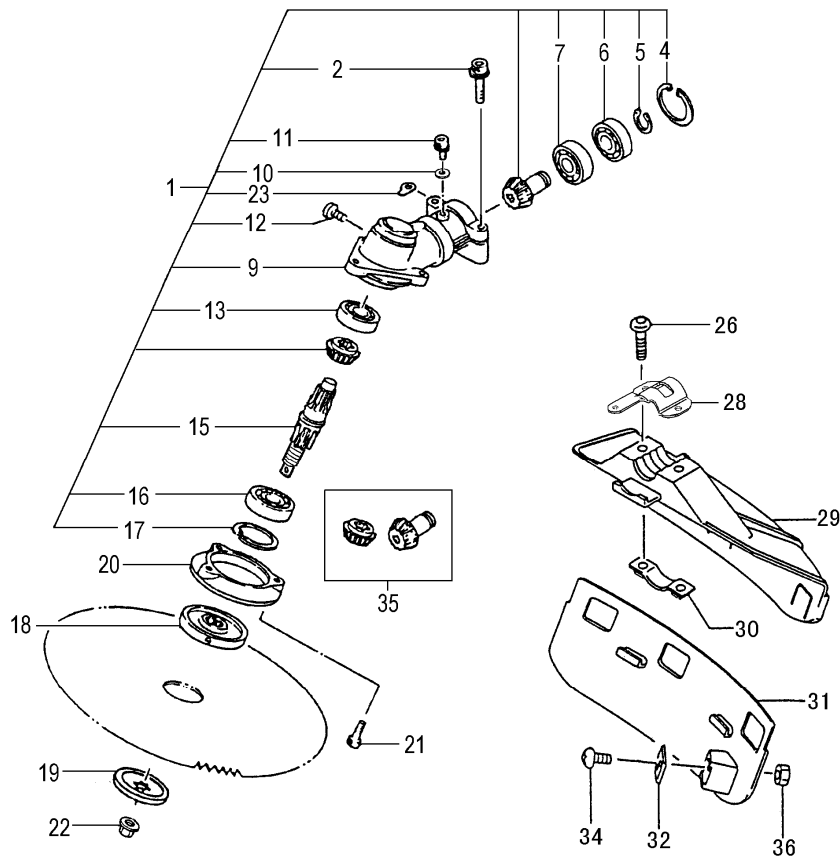
REF. NUMBER	PARTS NUMBER	DESCRIPTION	QTY	SERIAL NUMBER
001	343-38101-20	DRIVE SHAFT, 1552L	1	
002	341-37861-80	DRIVE SHAFT PIPE	1	
003	347-37100-90	BUSHING ASS'Y	5	
011	512-37861-80	KNOB BOLT	1	
013	506-37861-20	HANDLE BRACKET A	1	
014	507-37861-20	HANDLE BRACKET B	1	
015	522-37861-20	SUPPORT HOLDER	1	
016	521-37861-80	HANDLE SUPPORT COMP.	1	
017	315-37861-20	SPECIAL NUT M6X1.0	1	
018	326-37180-21	ANTI-VIBE RUBBER	4	
020	991-87060-001	NUT 6 UPS-P	1	
021	990-54060-303	HEX. HOLE BOLT 6X30	1	
063	165-37861-20	HANDLE GRIP	1	
074	198-37861-21	CORD CLAMP	3	
091	746-37180-91	SHOULDER BELT ASSY	1	
092	501-37861-21	HANDLE	1	
093	198-3332A-20	CORD CLAMP	1	

**B35-09****CG40EYA(TP) THROTTLE LAVER**

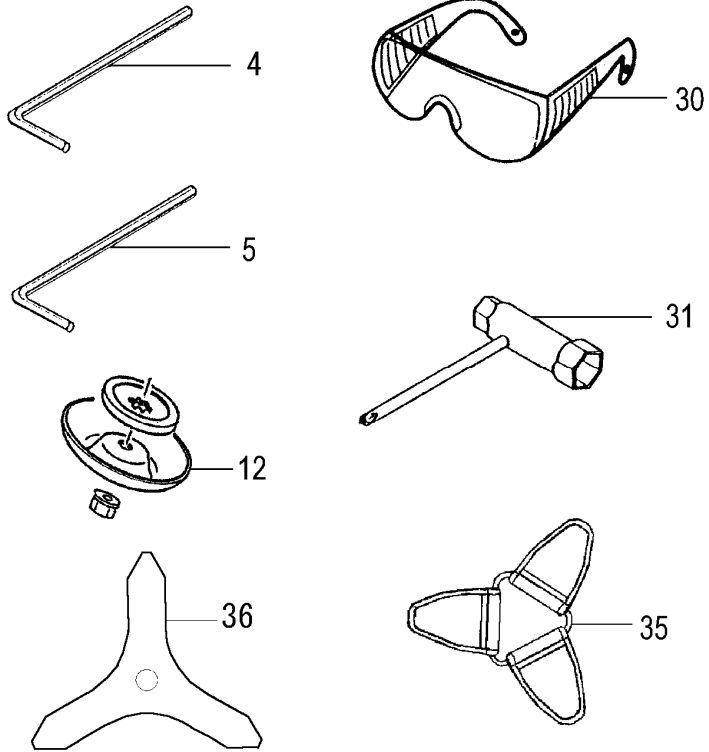
REF. NUMBER	PARTS NUMBER	DESCRIPTION	Q'TY	SERIAL NUMBER
084	164-07093-00	PROTECTION TUBE, 930L	1	
095	870-38110-91	THROTTLE LEVER A'SSY	1	
098	253-38400-20	SAFETY LEVER	1	
100	832-38400-20	RETURN SPRING	1	
101	880-38401-20	THROTTLE LEVER	1	
106	993-46040-202	SCREW 4X20, BLACK	2	
107	994-31050-303	SCREW 5X30, BLACK	1	
108	991-01050-043	CONTAL NUT 5	1	
110	156-38110-80	STOP SWITCH COMP.	1	
120	887-38110-80	THROTTLE WIRE, 4T	1	
125	885-38110-80	THROTTLE WIRE COMP.	1	

**B35-10**

**CG40EYA(TP) GEAR CASE**



REF. NUMBER	PARTS NUMBER	DESCRIPTION	QTY	SERIAL NUMBER
001	300-37861-91	GEAR CASE ASS'Y, 30 DIA	1	
002	994-61050-254	HEX. HOLE BOLT 5X25/S	2	
004	993-51028-002	STOP RING C-28, INNER	1	
005	993-50012-002	STOP RING C-12, OUTER	1	
006	999-61600-102	BALL BEARING #6001Z, 28M	1	
007	999-61600-115	BALL BEARING 6001 C3	1	
009	300-33392-21	GEARCASE, SILVER	1	
010	992-10050-062	S.WASHER 5	1	
011	990-51050-123	HEX. HOLE BOLT 5X12	1	
012	994-23080-100	PLUS HEAD BOLT 8X10	1	
013	999-61600-000	BALL BEARING #6000, 26MM	1	
015	304-37850-21	GEAR SHAFT 6X11X14	1	
016	999-61620-303	BALL BEARING #6203D, 40M	1	
017	993-51040-002	STOP RING C-40, INNER	1	
018	310-37100-22	CUTTER HOLDER	1	
019	311-37861-20	CUTTER HOLDER CAP, 6X11	1	
020	307-37100-81	PROTECTION COVER A CO	1	
021	994-16050-162	SCREW 5X16/WS	3	
022	313-38100-20	CUTTER FIXING NUT, L/H	1	
023	324-37110-20	GEAR CASE WASHER	2	
026	994-81060-254	HEX. HOLE BUTTON SCREW	2	
028	442-37862-20	COVER BRACKET 30	1	
029	441-37130-21	BLADE GUARD 30 CE	1	
030	445-37380-20	SAFETY COVER HOLDER	1	
031	447-37380-20	COVER GUARD	1	
032	797-37380-21	KNIFE	1	
034	994-14050-121	SCREW 5X12/S	1	
035	301-37100-00	GEAR-PINION SET, SPARE	1	
036	991-01050-011	HEX. NUT 5	1	

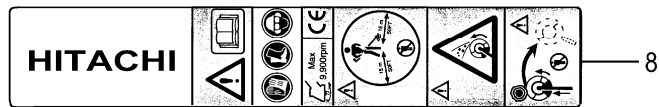
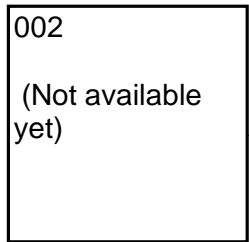
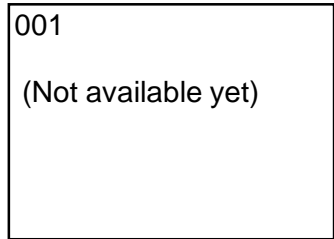
**B35-11****CG40EYA(TP) TOOLS**

REF. NUMBER	PARTS NUMBER	DESCRIPTION	Q'TY	SERIAL NUMBER
004	814-20000-20	HEX. WRENCH 5	1	
005	813-20000-20	HEX. WRENCH 4	1	
012	308-37861-20	PROTECTION COVER B	1	
030	541-37590-20	PROTECTION GLASSES	1	
031	826-20000-20	BOX SPANNER 17X19	1	
035	615-37181-20	CUTTER COVER	1	
036	810-37181-20	CUTTING BLADE 3TX305XT	1	

**B31-12**

**CG40EYA(TP) LABELS**

available



REF. NUMBER	PARTS NUMBER	DESCRIPTION	Q'TY	SERIAL NUMBER
001	906-48111-20	NAME PLATE CG40EYA(TP)	1	
002	929-04416-21	SYMBOL MARK HITACHI	1	
003	929-38100-20	SYMBOL MARK	1	
008	919-38515-20	CAUTION MARK 9900RPM	1	