

B64

CG47EF(L)

Serial No.

MPREF	MPHIN	MPNAM	MPQTY1	MPSMPSRL2	MPS
		+++++++ MODEL:CG47EFL ++++++			
		B31-01 CYLINDER/PISTON/CRANK			
006	157-11666-90	SPARK PLUG CAP ASS'Y	1		
007	255-04200-20	SPARK PLUG RUBBER COVER	1		
008	018-06540-21	SPARK PLUG BPMR6A	1		
011	001-0422U-90	CYLINDER SET	1		
012	994-61050-184	HEX. HOLE BOLT 5X18/S	4		
014	017-04220-21	CYLINDER GASKET	1		
015	041-04090-21	PISTON RING	2		
016	030-0422U-90	PISTON SET	1		
017	037-10100-20	PISTON PIN	1		
018	039-01000-20	PISTON PIN CIRCLIP	2		
020	036-04090-20	PISTON PIN COLLAR	2		
021	046-04220-80	CRANK SHAFT COMP.	1		
022	999-62101-480	NEEDLE BEARING, 2X8.8	1		
031	068-02000-20	WOOD-RUFF KEY 3X13X5	1		
		B31-02 CRANK CASE			
019	991-11100-013	SMALL NUT 10	1		
026	072-04220-91	CRANK CASE ASS'Y	1		
027	090-04200-21	CRANK CASE GASKET	1		
028	999-66152-564	OIL SEAL UD15257	2		
029	999-61620-200	BALL BEARING #6202, 35MM/OD	2		
030	070-02401-20	CRANK SHAFT WASHER 15.2X22	2		
032	071-02007-23	CRANK SHAFT SHIM 0.20	V		
032	071-02007-24	CRANK SHAFT SHIM 0.30	V		
036	990-53060-453	HEX HOLE BUTTON SCREW 6X45	2		
038	990-53060-353	HEX. HOLE BOLT 6X35	2		
045	992-10060-062	S. WASHER 6	4		
046	991-01060-013	NUT 6	1		
047	894-01401-20	OUTER RECEIVER	1		
050	178-0631A-80	STOP CORD COMP.	1		
051	155-20537-80	MAGNET ROTOR COMP.	1		
052	992-00100-011	SMALL WASHER 10	1		
054	991-11100-011	NUT 10	1		
055	167-20537-80	IGNITION COIL COMP.	1		
056	994-14050-181	SCREW 5X18/S	2		
058	992-00050-011	SMALL WASHER 5	2		
063	198-05015-80	CORD CLAMP COMP.	1		
064	198-10246-80	CORD CLAMP COMP.	1		
066	112-0423Q-22	FAN CASE, VERMILION	1		
067	994-14060-202	SCREW 6X20/S	4		
068	203-10000-20	PRIMARY CORD GROMMET	1		
069	203-06000-20	PRIMARY CORD GROMMET	1		
082	274-04290-80	EARTH CORD B 180M	1		
		B31-03 ENGINE-1			
027	655-04200-20	FUEL TANK CUSHION RUBBER	2		
031	403-04220-21	INLET MANIFOLD GASKET	1		
032	404-0422U-90	CARB. INSULATOR SET	1		
033	402-01740-20	CARBURETOR GASKET	1		
045	455-0422W-90	CARBURETOR ASS'Y	1		
049	994-16050-241	SCREW 5X24WS	2		
051	495-04200-20	CHOKE LEVER	1		
052	700-02504-09	FUEL PIPE 2.5X4X90	2		
053	991-11100-013	SMALL NUT 10	1		

054	992-20100-010	INNER TOOTHED WASHER 10	1
055	422-25030-80	PRIMING PUMP COMP.	1
063	223-01251-90	FUEL PIPE ASS'Y 3X5X230	1
064	680-00731-20	CLIP, 6.3 DIA.	1
065	675-01630-90	PUMP FILTER BODY ASS'Y	1
066	591-04220-21	FUEL TANK, VERMILION	1
068	534-32710-20	RETURN GROMMET	1
070	595-00093-90	TANK CAP D ASS'Y ORANGE	1
077	652-04201-20	CUSHION RUBBER	1
078	994-15050-162	SCREW 5X16/PS	2
096	626-32550-20	TANK CAP CHAIN	1
		B31-04 ENGINE-2	
001	738-04220-20	MUFFLER PROTECTOR	1
002	994-15050-122	SCREW 5X12/PS	1
003	994-61050-124	HEX. HOLE BOLT 5X12S	1
004	992-01050-061	WASHER 5	1
005	990-53060-653	HEX. HOLE BUTTON SCREW 6X65	2
006	992-01060-011	WASHER 6	2
007	704-0423Z-90	MUFFLER SET, SPARE	1
009	751-04200-20	MUFFLER SPECIAL GASKET	1
010	721-04290-90	TAIL PIPE SET PN	1
011	994-14040-081	SCREW 4X8/S	2
014	737-04230-20	MUFFLER GASKET	1
016	133-04230-20	HEAT SHIELD	1
026	655-06100-20	FUEL TANK CUSHION RUBBER	2
052	708-01028-80	TAIL PIPE COMP.	1
053	990-11040-121	SCREW 4X12	1
054	991-01040-011	HEX. NUT 4	1
081	359-10112-20	CLUTCH WASHER B	2
082	290-04270-80	CLUTCH ARM	2
083	342-04270-20	CLUTCH SPRING	1
084	992-04100-030	WAVE WASHER 10	2
085	357-0136U-20	CLUTCH STEP BOLT	2
		B31-05 RECOIL STARTER	
000	762-04220-90	RECOIL STARTER BODY ASS'Y	1
001	772-04220-80	RECOIL STARTER BODY COMP.	1
002	769-04220-20	STARTER ROPE REEL	1
003	779-04220-20	RECOIL SPRING	1
009	783-04270-20	STARTER ROPE	1
012	835-04220-20	STARTER HANDLE CAP	1
014	785-04220-20	STARTER HANDLE	1
017	839-04220-20	SET SCREW	1
019	788-0162V-20	STARTER PAWL	1
020	993-55050-000	STOP RING E-5	1
023	994-15050-252	SCREW 5X25PS	2
024	790-0162V-20	STARTER PAWL SPRING	1
025	798-04220-90	STARTER PULLEY	1
		B31-06 AIR CLEANER	
036	423-04270-20	CLEANER BODY	1
037	659-00801-20	COLLAR 5.8	2
038	476-0422U-80	BLOW OVER CHECK BOARD COMP.	1
039	446-04270-20	CLEANER ELEMENT	1
041	424-04270-90	CLEANER COVER ASS'Y	1
042	450-04072-20	COVER FIXING BOLT	1
043	994-14050-601	SCREW 5X60/S	2

044	992-10050-012	S. WASHER 5 B31-07 CRABURETOR	2
001	514-25001-20	SET SCREW	1
002	575-25012-20	PUMP BODY	1
003	577-25012-20	PUMP GASKET	1
004	576-25012-20	PUMP DIAPHRAGM	1
005	578-25007-20	INLET SCREEN	1
017	463-25012-20	IDLE ADJUST SPRING	1
018	462-25006-20	IDLE ADJUST SCREW	1
022	603-25012-20	NEEDLE VALVE	# 1
023	477-25307-20	VALVE SPRING	1
024	473-25012-20	CONTROL LEVER	1
025	605-25001-20	HINGE PIN	1
026	546-25001-20	HINGE PIN SET SCREW	1
027	475-25032-20	DIAPHRAGM GASKET	1
028	474-25032-80	METERING DIAPHRAGM COMP.	1
029	454-25032-80	AIR PURGE COMP.	1
030	476-25032-20	DIAPHRAGM COVER	1
031	548-25016-20	SET SCREW	4
		B45-08 SHOULDER FRAME	
001	244-38011-80	SHOULDER FRAME COMP	1
003	746-38011-91	SHOULDER BELT ASS'Y	1
009	994-15050-101	SCREW 5X10/PS	4
010	221-38010-20	ENGINE BASE	1
011	319-33390-80	CUSHION RUBBER COMP.	3
012	991-82060-001	FLANGE NUT 6	6
013	992-01080-011	WASHER 8	1
016	999-61620-201	BALL BEARING #6202ZZ, 35MM/OD	1
017	382-38010-20	BEARING HOLDER	1
020	994-24050-101	BOLT 5X10/S	3
021	991-01050-011	HEX. NUT 5	3
042	220-38015-80	ENGINE BASE COMP	1
050	248-3338E-20	SHOULDER PLATE HOLDER B.	2
051	994-25060-251	BOLT 6X25	1
052	991-82060-001	FLANGE NUT 6	1
053	994-14050-162	SCREW 5X16/S	2
054	994-15050-182	SCREW 5X18/PS	2
058	991-78080-010	NYLON LOCK NUT 8	1
		B45-09 CLUTCH CASE	
001	332-04290-80	CLUTCH DRUM COMP	1
003	999-61620-201	BALL BEARING #6202ZZ, 35MM/OD	1
004	993-50015-002	STOP RING C-15, OUTER	1
006	331-33380-20	CLUTCH CASE	1
007	992-10060-062	S. WASHER 6	4
008	990-53060-203	HEX HOLE BUTTON SCREW 6X20	4
009	400-33365-81	LOCK PIN COMP.	1
010	164-10070-00	PROTECTION TUBE 10X700L	1
011	164-07013-01	PROTECTION TUBE 130L	1
015	999-67018-000	O-RING P-18	1
017	198-3332A-20	CORD CLAMP	3
020	351-3338F-91	FLEXIBLE SHAFT ASS'Y	1
021	351-3338F-80	FLEXIBLE SHAFT COMP.	1
022	350-33390-81	FLEXIBLE LINNER COMP., 880L	1
		B45-10 OPERATION PIPE	
001	281-33398-90	JOINT PIPE ASS'Y	1

003	994-61050-254	HEX. HOLE BOLT 5X25/S	1	
004	994-61050-224	HEX. HOLE BOLT 5X22/S	1	
007	320-33315-20	SPACER	1	
008	360-33315-20	SPACER	1	
009	358-10112-20	CLUTCH WASHER A	1	
011	990-51050-103	HEX. HOLE BOLT 5X10	1	
016	164-07013-01	PROTECTION TUBE 130L	1	
026	500-33560-20	HANDLE	1	
027	520-33398-20	BARRIER, 26DIA, BLACK	1	
028	994-23060-432	BOLT 6X43/P	2	
030	993-50010-002	STOP RING C-10, OUTER	1	
031	991-01060-041	HEX. NUT 6	2	
032	341-33398-80	DRIVE SHAFT COMP.	1	
033	347-33411-91	BUSHING ASS'Y	4	
035	343-33398-20	DRIVE SHAFT, 1507L	1	
036	708-32350-20	CHOKE SHIM 0.8	1	
038	888-06563-20	CONNECTOR CASE	1	
039	885-04290-80	THRITTLE WIRE COMP.	1	
047	990-72045-204	TAPPING SCREW 4.5X20	1	
050	285-33386-21	JOINT COVER	1	
		B45-11 THROTTLE LEVER		
025	870-38010-90	THROTTLE LEVER ASSY 26	1	
084	887-38010-80	THROTTLE WIRE	1	
085	156-38010-80	STOP SWITCH	1	
098	253-38400-20	SAFETY LEVER	1	
100	832-07038-20	RETURN SPRING	1	
103	322-38400-20	BLIND PLUG	1	
110	994-31050-203	SCREW 5X20	2	
111	991-01050-043	CONTAL NUT 5	2	
112	993-46040-202	SCREW 4X20, BLACK	4	
125	880-38400-20	THROTTLE LEVER	1	
		B45-12 GEAR CASE/GUARD		
001	300-3338R-90	GEAR CASE ASS'Y, 26 DIA.	1	
002	994-61050-254	HEX. HOLE BOLT 5X25/S	2	
004	993-51026-002	STOP RING C-26, INNER	1	
005	993-57010-002	STOP RING OUTER 10	1	
006	999-61600-002	BALL BEARING #6000Z, 26MM/OD	1	
007	999-61600-000	BALL BEARING #6000, 26MM/OD	1	
009	300-37480-20	GEAR CASE 26 DIA	1	
011	994-61050-124	HEX. HOLE BOLT 5X12S	1	
012	316-38150-20	OILING BOLT	1	
013	999-61609-000	BALL BEARING 609	1	
015	304-3338R-20	GEAR SHAFT	1	
016	999-61620-103	BALL BEARING 6201D, 32MM/OD	1	
017	993-51032-002	STOP RING C-32, INNER	1	
018	310-38150-20	CUTTER HOLDER	1	
019	311-38150-20	CUTTER HOLDER CAP	1	
021	308-38150-20	PROTECTION COVER B	1	
022	313-38150-20	FIXING NUT M10X1.25	1	
023	324-38150-20	GEAR CASE WASHER	1	
026	994-81060-254	HEX. HOLE BUTTON SCREW 6X25S	2	
028	442-38331-20	COVER BRACKET 26	1	- E979999
029, 1	441-37380-21	BLADE GUARD 26 CE	1	- E979999
029	441-38331-20	BLADE GUARD	1	E070001 -
030	445-37380-20	SAFETY COVER HOLDER	1	

031, 1	447-37380-20	COVER GUARD	1	-	E979999	
031	447-38331-20	COVER GUARD	1		E070001	-
032, 1	797-37380-21	KNIFE	1	-	E979999	
032	797-37714-20	KNIFE	1		E070001	-
034, 1	994-14050-121	SCREW 5X12/S	1	-	E979999	
034	993-48040-142	TAPPING SCREW 4X14P	1		E070000	-
035	301-37480-00	GEAR/PINION SET, SPARE	1			
036	991-01050-011	HEX. NUT 5	1	-	E979999	
038	993-17052-002	TAPPING SCREW 5X20	1		E070001	-
039	797-38331-20	KNIFN	1		E070001	-
		B45-13 TOOLS				
015	826-20000-80	COMBI, BOX WRENCH 17X19	1			
016	813-20000-20	HEX. WRENCH 4	1			
017	615-37224-20	CUTTER COVER	2			
018	802-33398-20	CUTTING BLADE 4TX255 TYPE M	1			
030	541-37590-20	PROTECTION GLASSES	1			
		B45-13 LABELS				
001	906-04295-20	NAME PLATE CG47EF(L)	1			
002	929-04295-20	SYMBOL MARK CG47EF(L)	1			
008	919-38515-20	CAUTION MARK 9900RPM	1			
		===== END OF DATA =====				

MPTAN MPC5

0

0

0 *07

0 47017

0

0

0

0

0

0

0

0

0

0

0

0

0

0

0

0

0

0

0

0

0

0

0

0

0

0

0

0

0

0

0

0

0

0

0

0

0

0

0

0

0

0

0

0

0

0

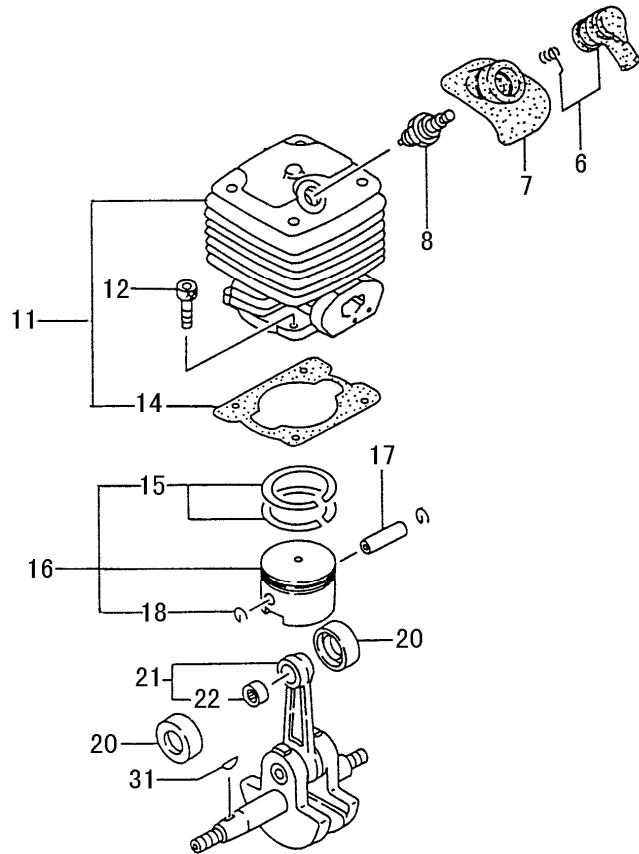
0

0

0

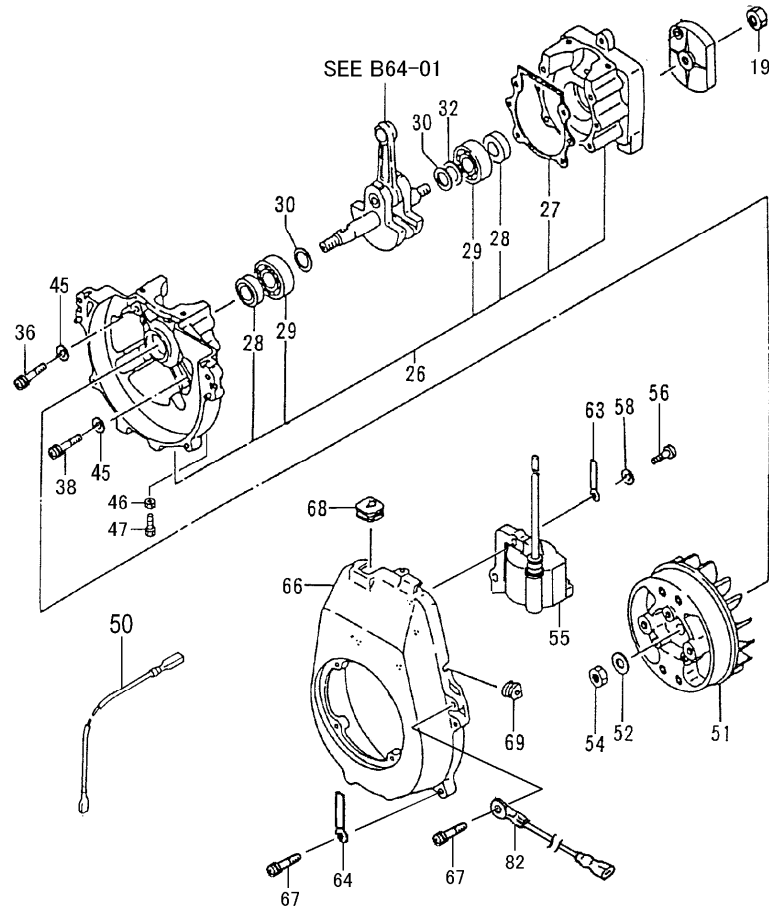
0

B64-01 CG47EF(L) CYLINDER/PISTON/CRANK SHAFT



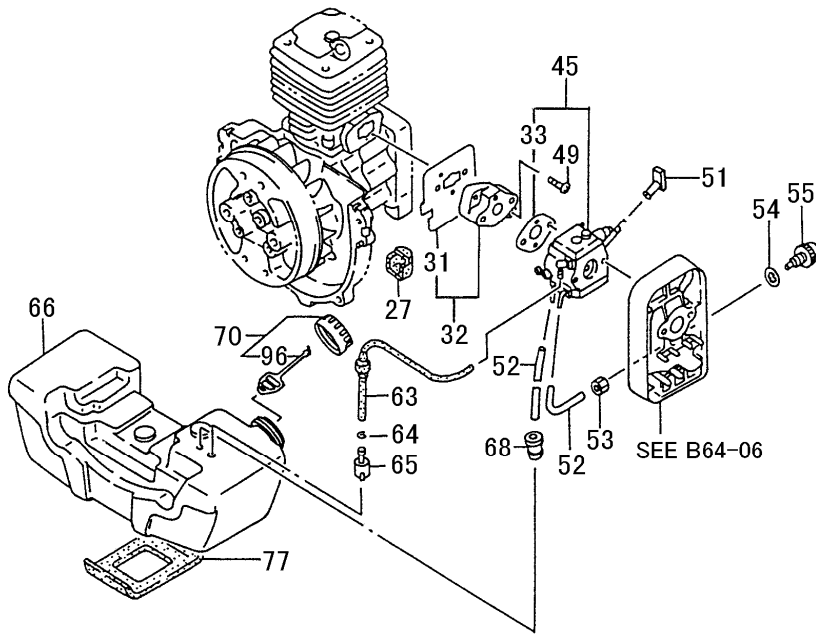
REF. NUMBER	PARTS NUMBER	DESCRIPTION	Q'TY	SERIAL NUMBER
006	157-11666-90	SPARK PLUG CAP ASS'Y	1	
007	255-04200-20	SPARK PLUG RUBBER COV	1	
008	018-06540-21	SPARK PLUG BPMR6A	1	
011	001-0422U-90	CYLINDER SET	1	
012	994-61050-184	HEX. HOLE BOLT 5X18/S	4	
014	017-04220-21	CYLINDER GASKET	1	
015	041-04090-21	PISTON RING	2	
016	030-0422U-90	PISTON SET	1	
017	037-10100-20	PISTON PIN	1	
018	039-01000-20	PISTON PIN CIRCLIP	2	
020	036-04090-20	PISTON PIN COLLAR	2	
021	046-04220-80	CRANK SHAFT COMP.	1	
022	999-62101-480	NEEDLE BEARING, 2X8.8	1	
031	068-02000-20	WOOD-RUFF KEY 3X13X5	1	

B64-02 CG47EF(L) CRANK CASE



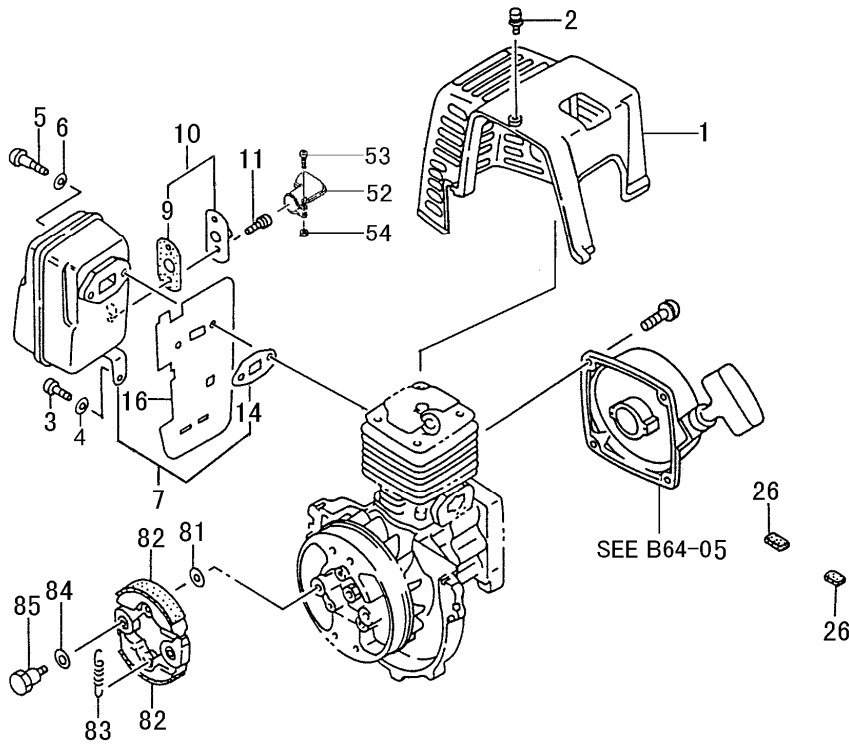
REF. NUMBER	PARTS NUMBER	DESCRIPTION	Q'TY	SERIAL NUMBER
019	991-11100-013	SMALL NUT 10	1	
026	072-04220-91	CRANK CASE ASS'Y	1	
027	090-04200-21	CRANK CASE GASKET	1	
028	999-66152-564	OIL SEAL UD15257	2	
029	999-61620-200	BALL BEARING #6202, 35MM	2	
030	070-02401-20	CRANK SHAFT WASHER 15	2	
032	071-02007-23	CRANK SHAFT SHIM 0.20	V	
032	071-02007-24	CRANK SHAFT SHIM 0.30	V	
036	990-53060-453	HEX HOLE BUTTON SCREW	2	
038	990-53060-353	HEX. HOLE BOLT 6X35	2	
045	992-10060-062	S.WASHER 6	4	
046	991-01060-013	NUT 6	1	
047	894-01401-20	OUTER RECEIVER	1	
050	178-0631A-80	STOP CORD COMP.	1	
051	155-20537-80	MAGNET ROTOR COMP.	1	
052	992-00100-011	SMALL WASHER 10	1	
054	991-11100-011	NUT 10	1	
055	167-20537-80	IGNITION COIL COMP.	1	
056	994-14050-181	SCREW 5X18/S	2	
058	992-00050-011	SMALL WASHER 5	2	
063	198-05015-80	CORD CLAMP COMP.	1	
064	198-10246-80	CORD CLAMP COMP.	1	
066	112-0423Q-22	FAN CASE, VERMILION	1	
067	994-14060-202	SCREW 6X20/S	4	
068	203-10000-20	PRIMARY CORD GROMMET	1	
069	203-06000-20	PRIMARY CORD GROMMET	1	
082	274-04290-80	EARTH CORD B 180M	1	

B64-03 CG47EF(L) ENGINE-1



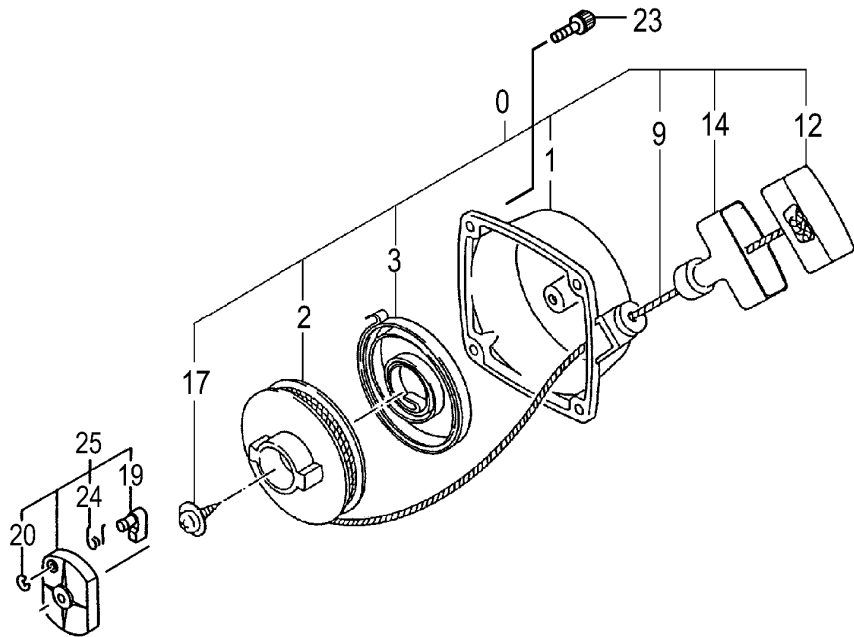
REF. NUMBER	PARTS NUMBER	DESCRIPTION	Q'TY	SERIAL NUMBER
027	655-04200-20	FUEL TANK CUSHION RUB	2	
031	403-04220-21	INLET MANIFOLD GASKET	1	
032	404-0422U-90	CARB. INSULATOR SET	1	
033	402-01740-20	CARBURETOR GASKET	1	
045	455-0422W-90	CARBURETOR ASS'Y	1	
049	994-16050-241	SCREW 5X24WS	2	
051	495-04200-20	CHOKE LEVER	1	
052	700-02504-09	FUEL PIPE 2.5X4X90	2	
053	991-11100-013	SMALL NUT 10	1	
054	992-20100-010	INNER TOOTHED WASHER	1	
055	422-25030-80	PRIMING PUMP COMP.	1	
063	223-01251-90	FUEL PIPE ASS'Y 3X5X230	1	
064	680-00731-20	CLIP, 6.3 DIA.	1	
065	675-01630-90	PUMP FILTER BODY ASS'Y	1	
066	591-04220-21	FUEL TANK, VERMILION	1	
068	534-32710-20	RETURN GROMMET	1	
070	595-00093-90	TANK CAP D ASS'Y ORANG	1	
077	652-04201-20	CUSHION RUBBER	1	
078	994-15050-162	SCREW 5X16/PS	2	
096	626-32550-20	TANK CAP CHAIN	1	

B64-04 CG47EF(L) ENGINE-2



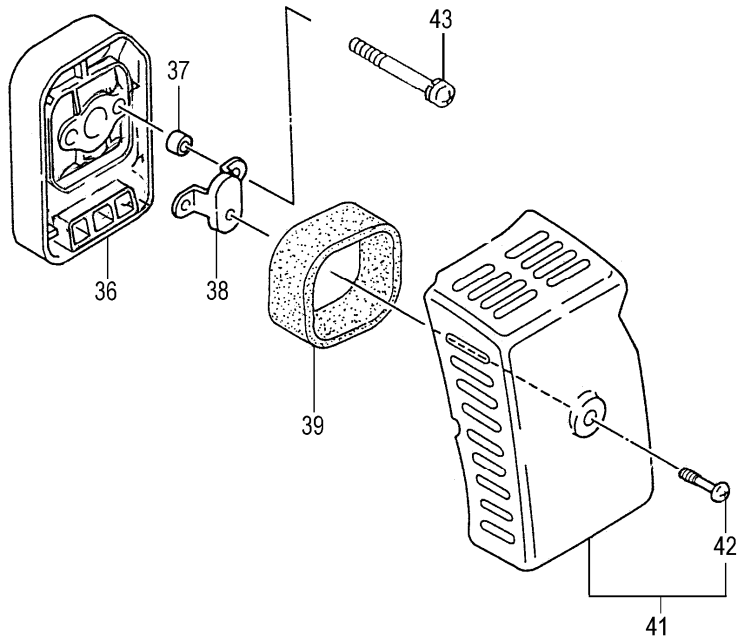
REF. NUMBER	PARTS NUMBER	DESCRIPTION	Q'TY	SERIAL NUMBER
001	738-04220-20	MUFFLER PROTECTOR	1	
002	994-15050-122	SCREW 5X12/PS	1	
003	994-61050-124	HEX. HOLE BOLT 5X12S	1	
004	992-01050-061	WASHER 5	1	
005	990-53060-653	HEX. HOLE BUTTON SCRE	2	
006	992-01060-011	WASHER 6	2	
007	704-0423Z-90	MUFFLER SET, SPARE	1	
009	751-04200-20	MUFFLER SPECIAL GASKE	1	
010	721-04290-90	TAIL PIPE SET PN	1	
011	994-14040-081	SCREW 4X8/S	2	
014	737-04230-20	MUFFLER GASKET	1	
016	133-04230-20	HEAT SHIELD	1	
026	655-06100-20	FUEL TANK CUSHION RUB	2	
052	708-01028-80	TAIL PIPE COMP.	1	
053	990-11040-121	SCREW 4X12	1	
054	991-01040-011	HEX. NUT 4	1	
081	359-10112-20	CLUTCH WASHER B	2	
082	290-04270-80	CLUTCH ARM	2	
083	342-04270-20	CLUTCH SPRING	1	
084	992-04100-030	WAVE WASHER 10	2	
085	357-0136U-20	CLUTCH STEP BOLT	2	

B64-05 CG47EF(L) RECOIL STARTER



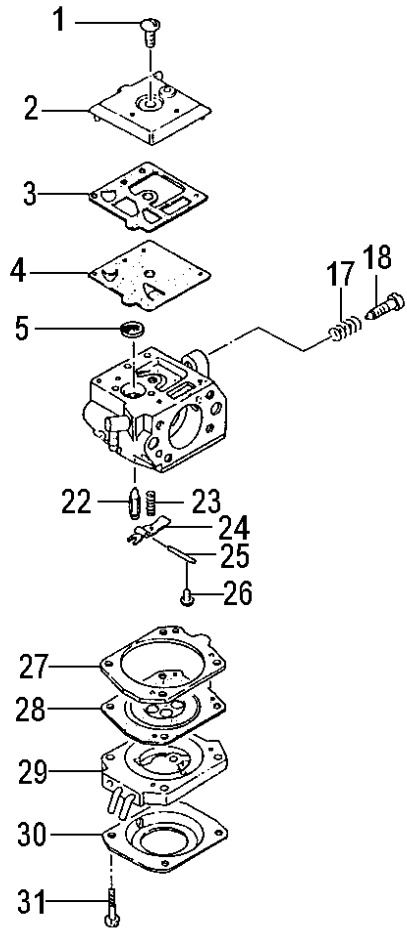
REF. NUMBER	PARTS NUMBER	DESCRIPTION	Q'TY	SERIAL NUMBER
000	762-04220-90	RECOIL STARTER BODY A	1	
001	772-04220-80	RECOIL STARTER BODY C	1	
002	769-04220-20	STARTER ROPE REEL	1	
003	779-04220-20	RECOIL SPRING	1	
009	783-04270-20	STARTER ROPE	1	
012	835-04220-20	STARTER HANDLE CAP	1	
014	785-04220-20	STARTER HANDLE	1	
017	839-04220-20	SET SCREW	1	
019	788-0162V-20	STARTER PAWL	1	
020	993-55050-000	STOP RING E-5	1	
023	994-15050-252	SCREW 5X25PS	2	
024	790-0162V-20	STARTER PAWL SPRING	1	
025	798-04220-90	STARTER PULLEY	1	

B64-06 CG47EF(L) AIR CLEANER



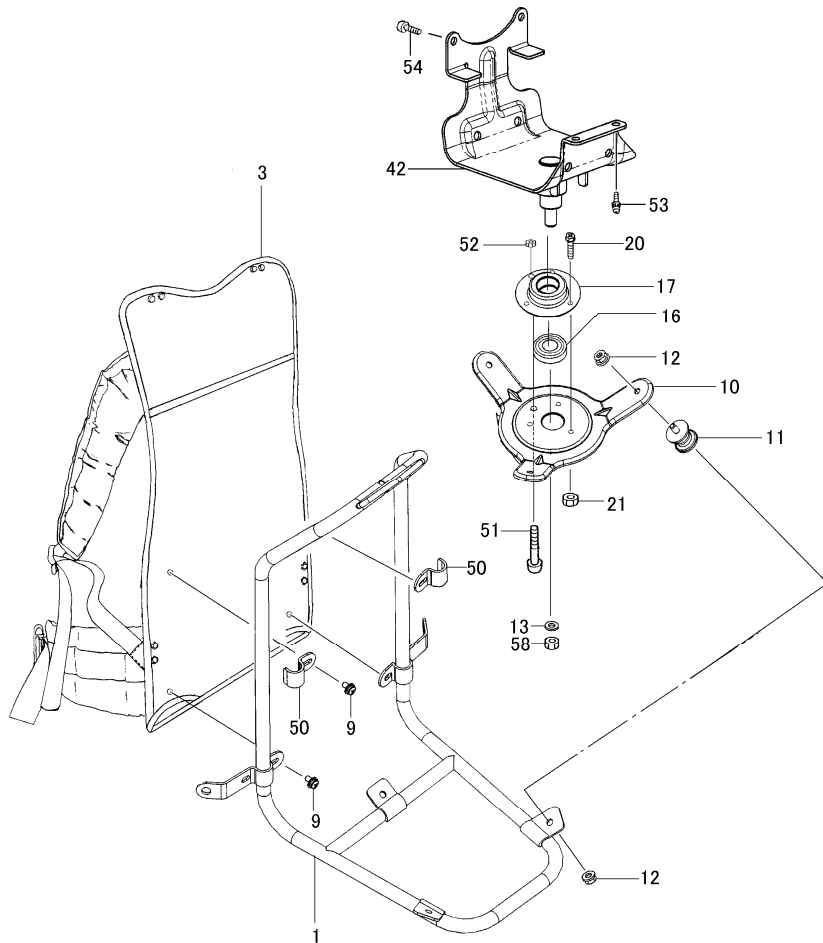
REF. NUMBER	PARTS NUMBER	DESCRIPTION	Q'TY	SERIAL NUMBER
036	423-04270-20	CLEANER BODY	1	
037	659-00801-20	COLLAR 5.8	2	
038	476-0422U-80	BLOW OVER CHECK BOARD	1	
039	446-04270-20	CLEANER ELEMENT	1	
041	424-04270-90	CLEANER COVER ASS'Y	1	
042	450-04072-20	COVER FIXING BOLT	1	
043	994-14050-601	SCREW 5X60/S	2	
044	992-10050-012	S.WASHER 5	2	

B64-07 CG47EF(L) CARBURETOR



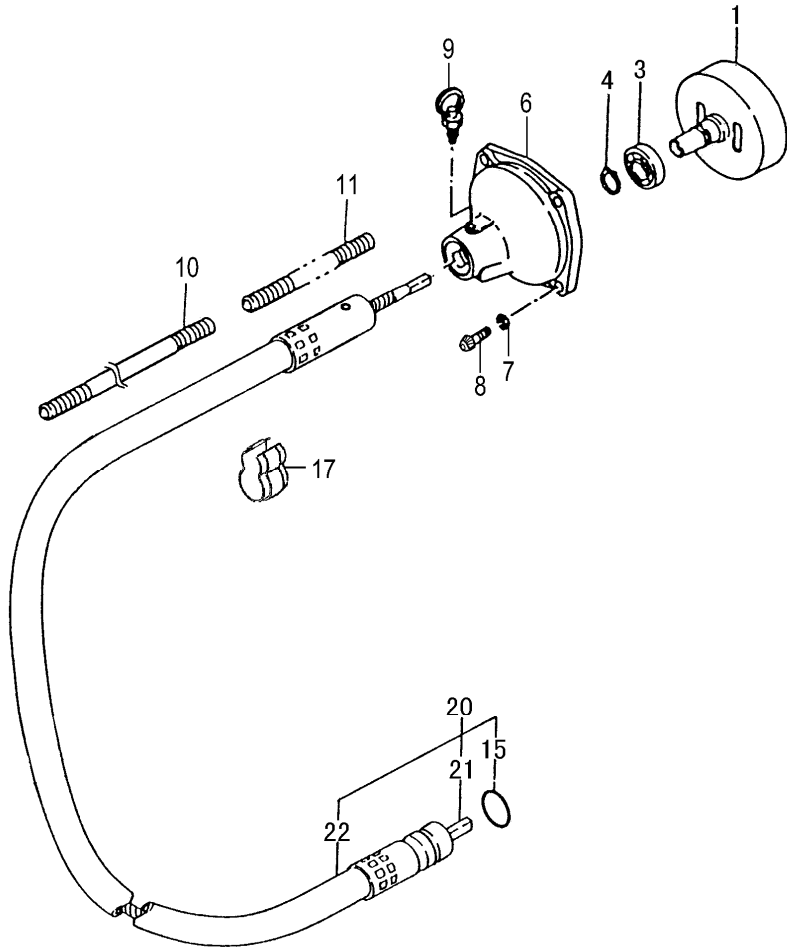
REF. NUMBER	PARTS NUMBER	DESCRIPTION	Q'TY	SERIAL NUMBER
001	514-25001-20	SET SCREW	1	
002	575-25012-20	PUMP BODY	1	
003	577-25012-20	PUMP GASKET	1	
004	576-25012-20	PUMP DIAPHRAGM	1	
005	578-25007-20	INLET SCREEN	1	
017	463-25012-20	IDLE ADJUST SPRING	1	
018	462-25006-20	IDLE ADJUST SCREW	1	
022	603-25012-20	NEEDLE VALVE	# 1	
023	477-25307-20	VALVE SPRING	1	
024	473-25012-20	CONTROL LEVER	1	
025	605-25001-20	HINGE PIN	1	
026	546-25001-20	HINGE PIN SET SCREW	1	
027	475-25032-20	DIAPHRAGM GASKET	1	
028	474-25032-80	METERING DIAPHRAGM CO	1	
029	454-25032-80	AIR PURGE COMP.	1	
030	476-25032-20	DIAPHRAGM COVER	1	
031	548-25016-20	SET SCREW	4	

B64-08 CG47EF(L) FRAME



REF. NUMBER	PARTS NUMBER	DESCRIPTION	Q'TY	SERIAL NUMBER
001	244-38011-80	SHOULDER FRAME COMP	1	
003	746-38011-91	SHOULDER BELT ASS'Y	1	
009	994-15050-101	SCREW 5X10/PS	4	
010	221-38010-20	ENGINE BASE	1	
011	319-33390-80	CUSHION RUBBER COMP.	3	
012	991-82060-001	FLANGE NUT 6	6	
013	992-01080-011	WASHER 8	1	
016	999-61620-201	BALL BEARING #6202ZZ, 35	1	
017	382-38010-20	BEARING HOLDER	1	
020	994-24050-101	BOLT 5X10/S	3	
021	991-01050-011	HEX. NUT 5	3	
042	220-38015-80	ENGINE BASE COMP	1	
050	248-3338E-20	SHOULDER PLATE HOLDER	2	
051	994-25060-251	BOLT 6X25	1	
052	991-82060-001	FLANGE NUT 6	1	
053	994-14050-162	SCREW 5X16/S	2	
054	994-15050-182	SCREW 5X18/PS	2	
058	991-78080-010	NYLON LOCK NUT 8	1	

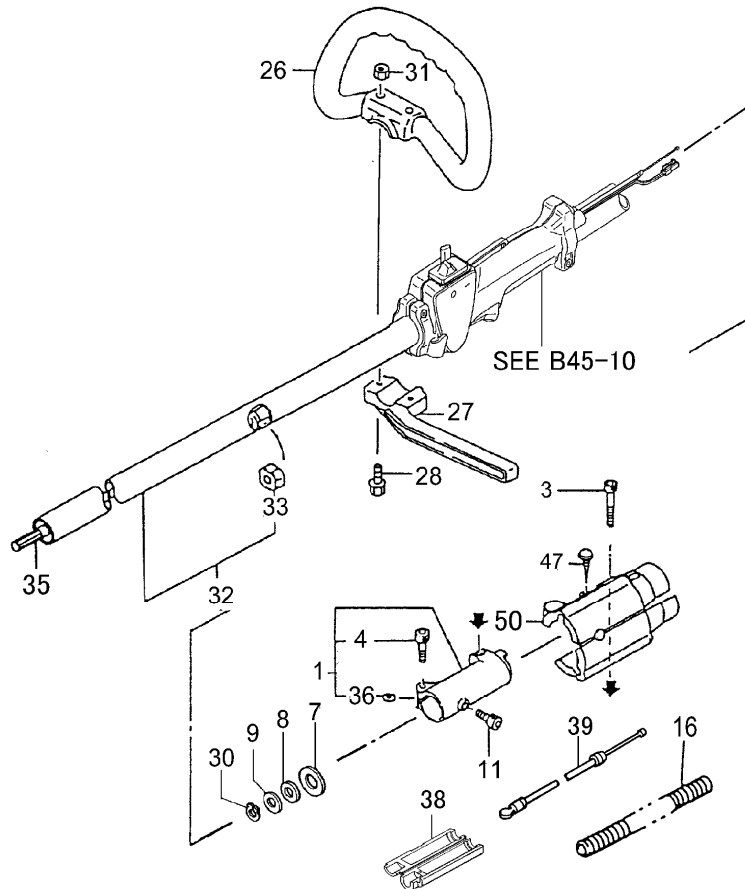
B64-09 CG47EF(L) CLUTCH CASE/FLEXIBLE SHAFT



REF. NUMBER	PARTS NUMBER	DESCRIPTION	Q'TY	SERIAL NUMBER
001	332-04290-80	CLUTCH DRUM COMP	1	
003	999-61620-201	BALL BEARING #6202ZZ, 35	1	
004	993-50015-002	STOP RING C-15, OUTER	1	
006	331-33380-20	CLUTCH CASE	1	
007	992-10060-062	S.WASHER 6	4	
008	990-53060-203	HEX HOLE BUTTON SCREW	4	
009	400-33365-81	LOCK PIN COMP.	1	
010	164-10070-00	PROTECTION TUBE 10X700	1	
011	164-07013-01	PROTECTION TUBE 130L	1	
015	999-67018-000	O-RING P-18	1	
017	198-3332A-20	CORD CLAMP	3	
020	351-3338F-91	FLEXIBLE SHAFT ASS'Y	1	
021	351-3338F-80	FLEXIBLE SHAFT COMP.	1	
022	350-33390-81	FLEXIBLE LINNER COMP.,8	1	

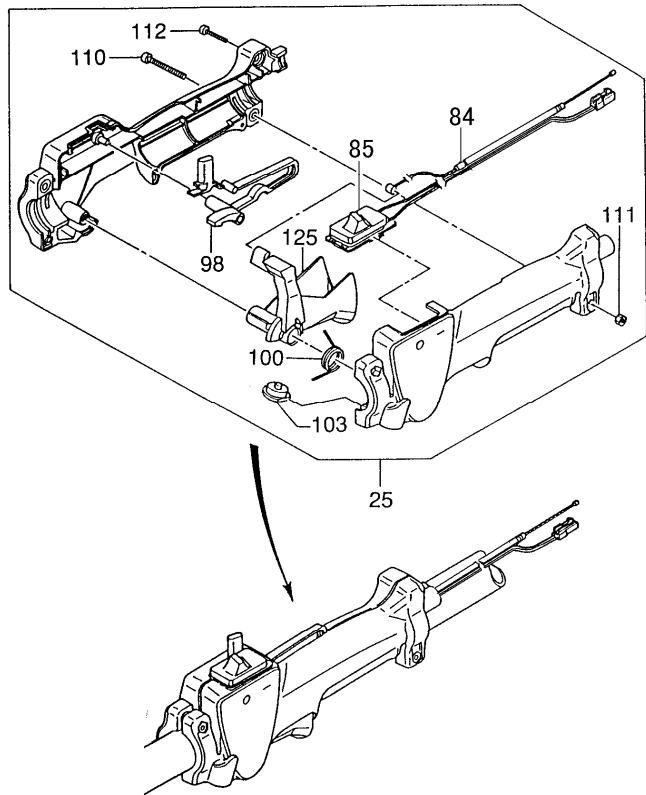
#

B64-10 CG47EF(L) OPERATION PIPE



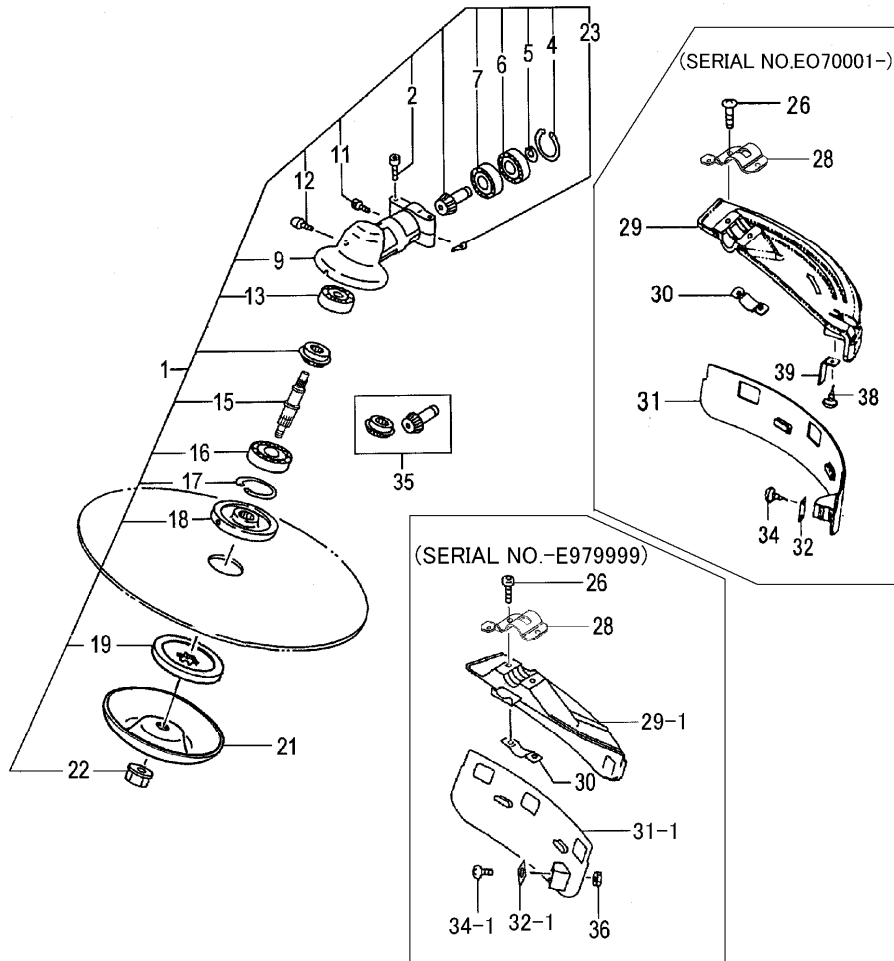
REF. NUMBER	PARTS NUMBER	DESCRIPTION	Q'TY	SERIAL NUMBER
001	281-33398-90	JOINT PIPE ASS'Y	1	
003	994-61050-254	HEX. HOLE BOLT 5X25/S	1	
004	994-61050-224	HEX. HOLE BOLT 5X22/S	1	
007	320-33315-20	SPACER	1	
008	360-33315-20	SPACER	1	
009	358-10112-20	CLUTCH WASHER A	1	
011	990-51050-103	HEX. HOLE BOLT 5X10	1	
016	164-07013-01	PROTECTION TUBE 130L	1	
026	500-33560-20	HANDLE	1	
027	520-33398-20	BARRIER, 26DIA, BLACK	1	
028	994-23060-432	BOLT 6X43/P	2	
030	993-50010-002	STOP RING C-10, OUTER	1	
031	991-01060-041	HEX. NUT 6	2	
032	341-33398-80	DRIVE SHAFT COMP.	1	
033	347-33411-91	BUSHING ASS'Y	4	
035	343-33398-20	DRIVE SHAFT, 1507L	1	
036	708-32350-20	CHOKE SHIM 0.8	1	
038	888-06563-20	CONNECTOR CASE	1	
039	885-04290-80	THRITTLE WIRE COMP.	1	
047	990-72045-204	TAPPING SCREW 4.5X20	1	
050	285-33386-21	JOINT COVER	1	

B64-11 CG47EF(L) THROTTLE LEVER

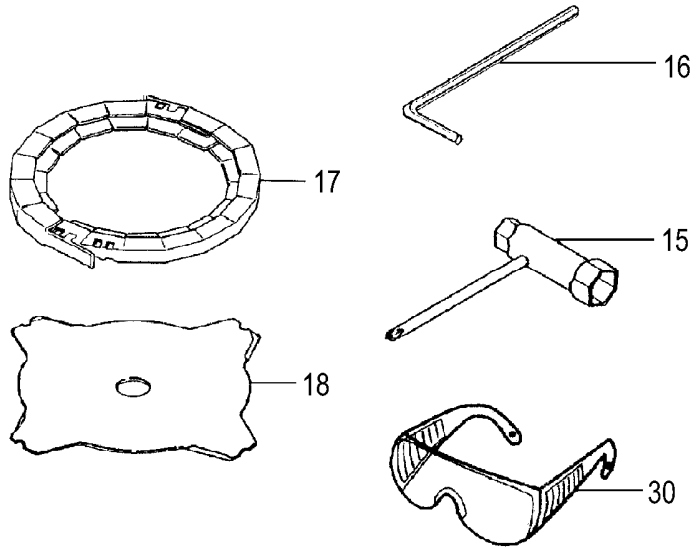


REF. NUMBER	PARTS NUMBER	DESCRIPTION	Q'TY	SERIAL NUMBER
025	870-38010-90	THROTTLE LEVER ASSY 26	1	
084	887-38010-80	THROTTLE WIRE	1	
085	156-38010-80	STOP SWITCH	1	
098	253-38400-20	SAFETY LEVER	1	
100	832-07038-20	RETURN SPRING	1	
103	322-38400-20	BLIND PLUG	1	
110	994-31050-203	SCREW 5X20	2	
111	991-01050-043	CONTAL NUT 5	2	
112	993-46040-202	SCREW 4X20, BLACK	4	
125	880-38400-20	THROTTLE LEVER	1	

B64-12 CG47EF(L) GEAR CASE

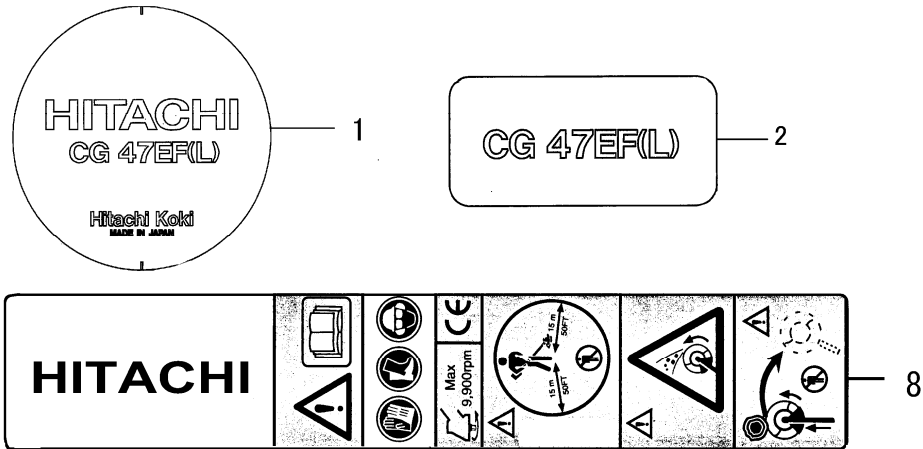


REF. NUMBER	PARTS NUMBER	DESCRIPTION	Q'TY	SERIAL NUMBER
001	300-3338R-90	GEAR CASE ASS'Y,26 DIA.	1	
002	994-61050-254	HEX. HOLE BOLT 5X25/S	2	
004	993-51026-002	STOP RING C-26, INNER	1	
005	993-57010-002	STOP RING OUTER 10	1	
006	999-61600-002	BALL BEARING #6000Z, 26M	1	
007	999-61600-000	BALL BEARING #6000, 26M	1	
009	300-37480-20	GEAR CASE 26 DIA	1	
011	994-61050-124	HEX. HOLE BOLT 5X12S	1	
012	316-38150-20	OILING BOLT	1	
013	999-61609-000	BALL BEARING 609	1	
015	304-3338R-20	GEAR SHAFT	1	
016	999-61620-103	BALL BEARING 6201D, 32M	1	
017	993-51032-002	STOP RING C-32, INNER	1	
018	310-38150-20	CUTTER HOLDER	1	
019	311-38150-20	CUTTER HOLDER CAP	1	
021	308-38150-20	PROTECTION COVER B	1	
022	313-38150-20	FIXING NUT M10X1.25	1	
023	324-38150-20	GEAR CASE WASHER	1	
026	994-81060-254	HEX. HOLE BUTTON SCREW	2	
028	442-38331-20	COVER BRACKET 26	1	E979999
029,1	441-37380-21	BLADE GUARD 26 CE	1	E979999
029	441-38331-20	BLADE GUARD	1	E070001 -
030	445-37380-20	SAFETY COVER HOLDER	1	
031,1	447-37380-20	COVER GUARD	1	E979999
031	447-38331-20	COVER GUARD	1	E070001 -
032,1	797-37380-21	KNIFE	1	E979999
032	797-37714-20	KNIFE	1	E070001 -
034,1	994-14050-121	SCREW 5X12/S	1	E979999
034	993-48040-142	TAPPING SCREW 4X14P	1	E070000 -
035	301-37480-00	GEAR/PINION SET, SPARE	1	
036	991-01050-011	HEX. NUT 5	1	E979999
038	993-17052-002	TAPPING SCREW 5X20	1	E070001 -
039	797-38331-20	KNIFN	1	E070001 -

B64-13 CG47EF(L) TOOLS

REF. NUMBER	PARTS NUMBER	DESCRIPTION	Q'TY	SERIAL NUMBER
015	826-20000-80	COMBI, BOX WRENCH 17X	1	
016	813-20000-20	HEX. WRENCH 4	1	
017	615-37224-20	CUTTER COVER	2	
018	802-33398-20	CUTTING BLADE 4TX255 T	1	
030	541-37590-20	PROTECTION GLASSES	1	

B64-14 CG47EF(L) LABELS



REF. NUMBER	PARTS NUMBER	DESCRIPTION	Q'TY	SERIAL NUMBER
001	906-04295-20	NAME PLATE CG47EF(L)	1	
002	929-04295-20	SYMBOL MARK CG47EF(L)	1	
008	919-38515-20	CAUTION MARK 9900RPM	1	