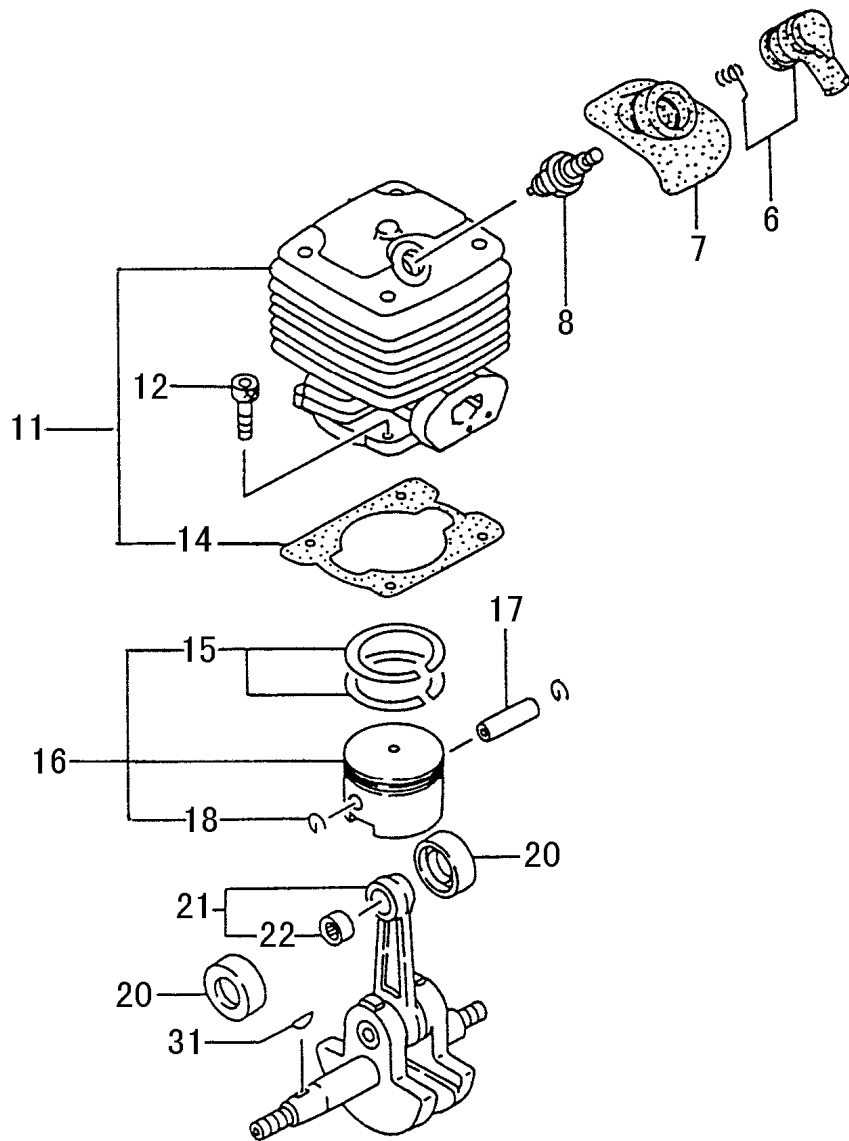
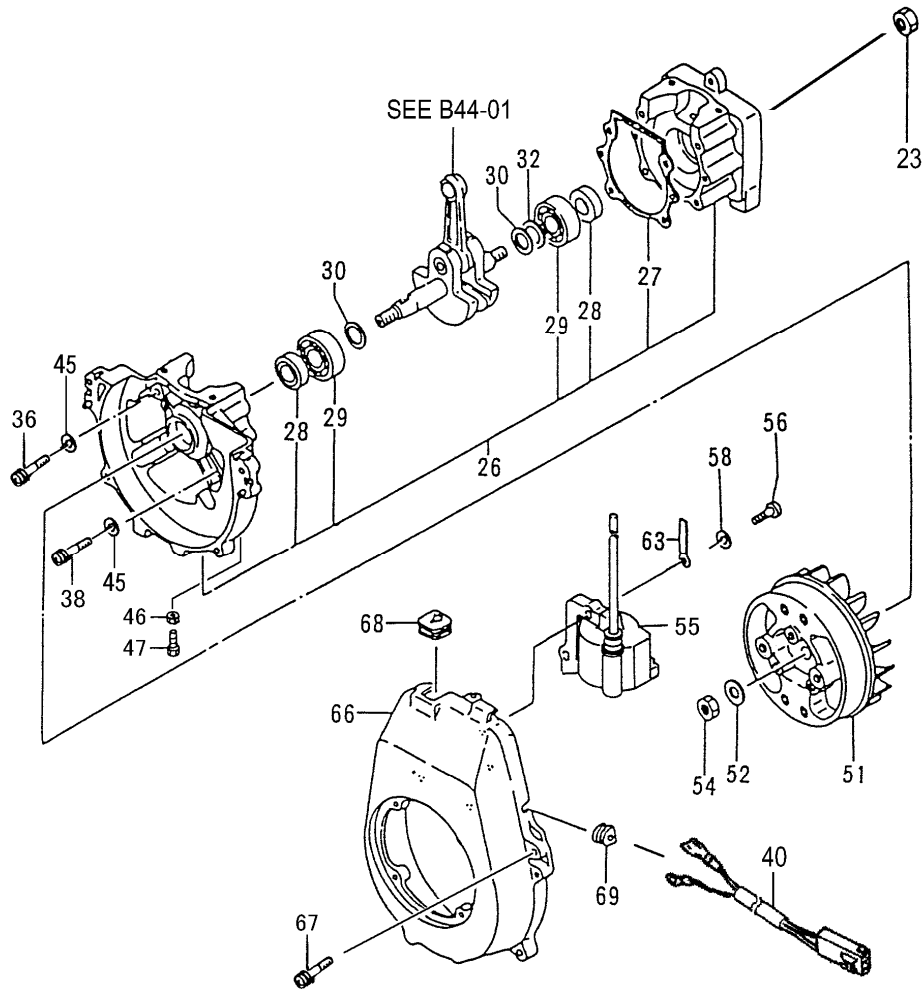


**B44-01 CG47EJ CYLINDER/PISTON/CRANK SHAFT**



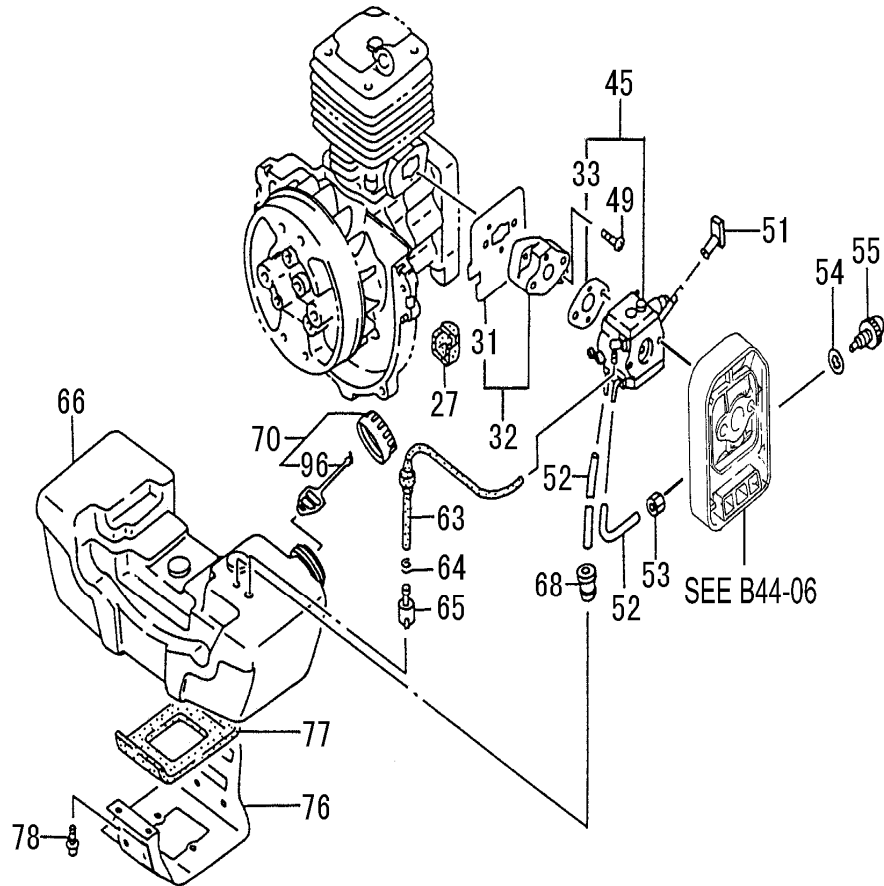
REF. NUMBER	PARTS NUMBER	DESCRIPTION	Q'TY	SERIAL NUMBER
006	157-11666-90	SPARK PLUG CAP ASS'Y	1	
007	255-04200-20	SPARK PLUG RUBBER COVER	1	
008	018-06540-21	SPARK PLUG BPMR6A	1	
011	001-0422U-90	CYLINDER SET	1	
012	994-61050-184	HEX. HOLE BOLT 5X18/S	4	
014	017-04220-21	CYLINDER GASKET	1	
015	041-04090-21	PISTON RING	2	
016	030-0422U-90	PISTON SET	1	
017	037-10100-20	PISTON PIN	1	
018	039-01000-20	PISTON PIN CIRCLIP	2	
020	036-04090-20	PISTON PIN COLLAR	2	
021	046-04220-80	CRANK SHAFT COMP.	1	
022	999-62101-480	NEEDLE BEARING, 2X8.8	1	
031	068-02000-20	WOOD-RUFF KEY 3X13X5	1	

**B44-02 CG47EJ CRANK CASE**



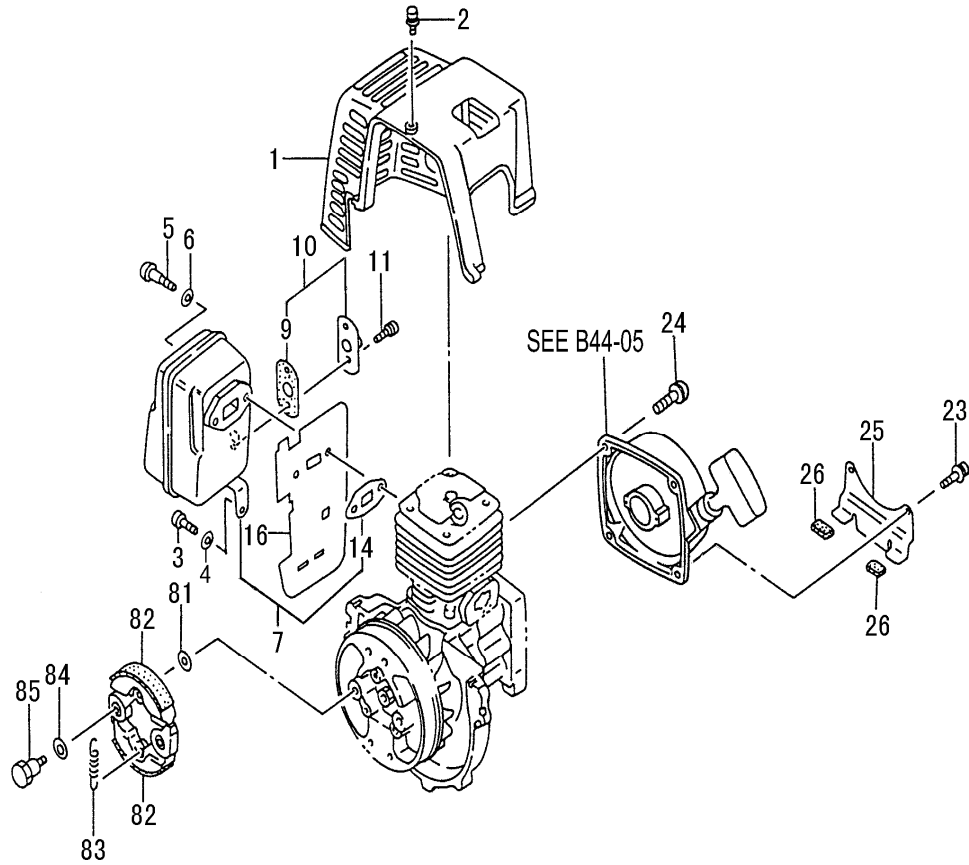
REF. NUMBER	PARTS NUMBER	DESCRIPTION	Q'TY	SERIAL NUMBER
023	991-11100-013	SMALL NUT 10	1	
026	072-04220-91	CRANK CASE ASS'Y	1	
027	090-04200-21	CRANK CASE GASKET	1	
028	999-66152-564	OIL SEAL UD15257	2	
029	999-61620-200	BALL BEARING #6202, 35MM/OD	2	
030	070-02401-20	CRANK SHAFT WASHER 15.2X22	2	
032	071-02007-23	CRANK SHAFT SHIM 0.20	V	
032	071-02007-24	CRANK SHAFT SHIM 0.30	V	
036	990-53060-453	HEX HOLE BUTTON SCREW 6X45	2	
038	990-53060-353	HEX. HOLE BOLT 6X35	2	
040	191-04276-90	LEAD WIRE ASS'Y	1	
045	992-10060-062	S.WASHER 6	4	
046	991-01060-013	NUT 6	1	
047	894-01401-20	OUTER RECEIVER	1	
051	155-20537-80	MAGNET ROTOR COMP.	1	
052	992-00100-011	SMALL WASHER 10	1	
054	991-11100-011	NUT 10	1	
055	167-20537-80	IGNITION COIL COMP.	1	
056	994-14050-181	SCREW 5X18/S	2	
058	992-00050-011	SMALL WASHER 5	2	
063	198-05015-80	CORD CLAMP COMP.	1	
066	112-04230-21	FAN CASE, VERMILION	1	
067	994-14060-202	SCREW 6X20/S	4	
068	203-10000-20	PRIMARY CORD GROMMET	1	
069	203-06000-20	PRIMARY CORD GROMMET	1	

**B44-03 CG47EJ ENGINE-1**

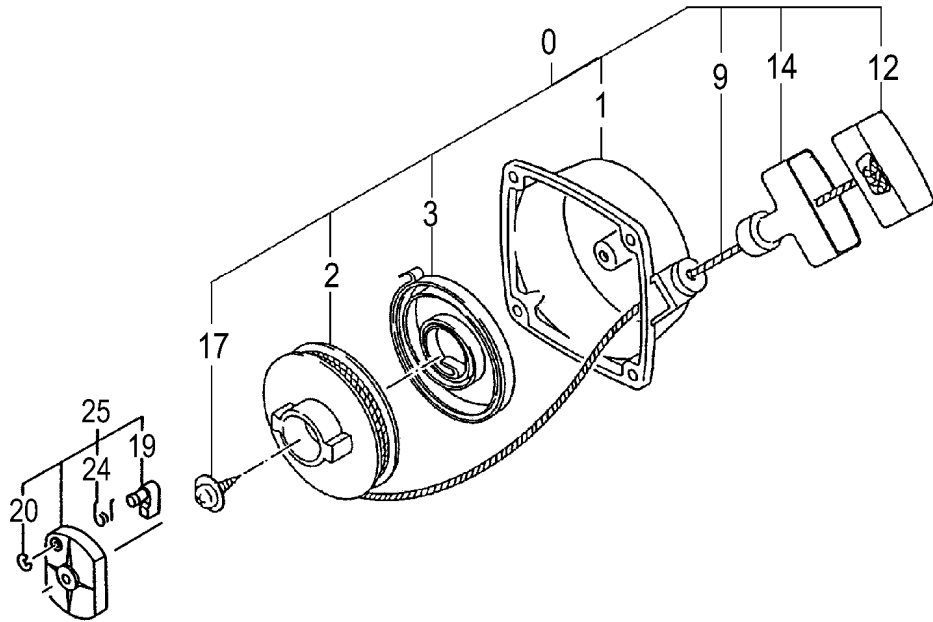


REF. NUMBER	PARTS NUMBER	DESCRIPTION	Q'TY	SERIAL NUMBER
027	655-04200-20	FUEL TANK CUSHION RUBBER	2	
031	403-04220-21	INLET MANIFOLD GASKET	1	
032	404-0422U-90	CARB. INSULATOR SET	1	
033	402-01740-20	CARBURETOR GASKET	1	
045	455-0422W-90	CARBURETOR ASS'Y	1	
049	994-16050-241	SCREW 5X24WS	2	
051	495-04200-20	CHOKE LEVER	1	
052	700-02504-09	FUEL PIPE 2.5X4X90	2	
053	991-11100-013	SMALL NUT 10	1	
054	992-20100-010	INNER TOOTHED WASHER 10	1	
055	422-25030-80	PRIMING PUMP COMP.	1	
063	223-01251-90	FUEL PIPE ASS'Y 3X5X230	1	
064	680-00731-20	CLIP, 6.3 DIA.	1	
065	675-01630-90	PUMP FILTER BODY ASS'Y	1	
066	591-04220-21	FUEL TANK, VERMILION	1	
068	534-32710-20	RETURN GROMMET	1	
070	595-00093-90	TANK CAP D ASS'Y ORANGE	1	
076	603-04201-20	TANK HOLDING BAND	1	
077	652-04201-20	CUSHION RUBBER	1	
078	994-15050-162	SCREW 5X16/PS	2	
096	626-32550-20	TANK CAP CHAIN	1	

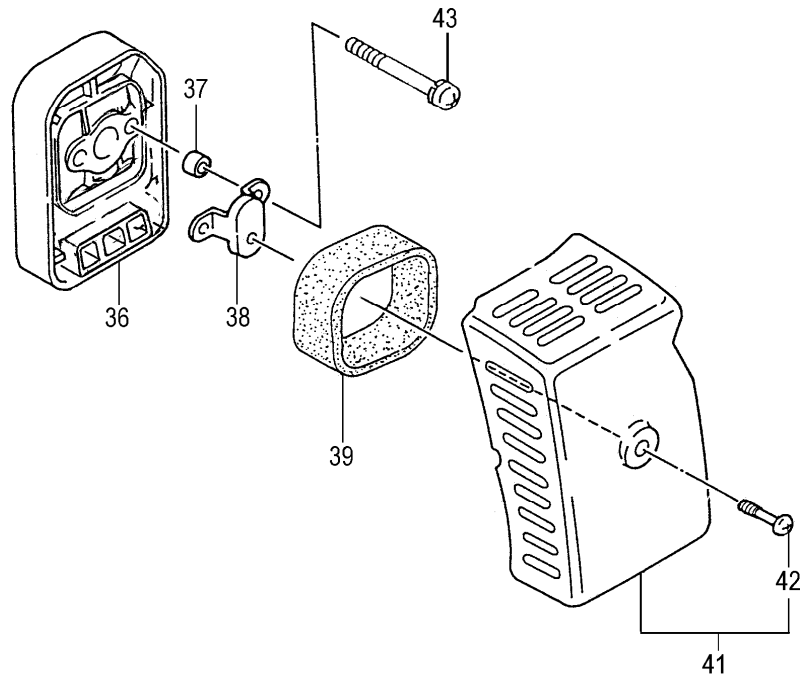
**B44-04 CG47EJ ENGINE-2**



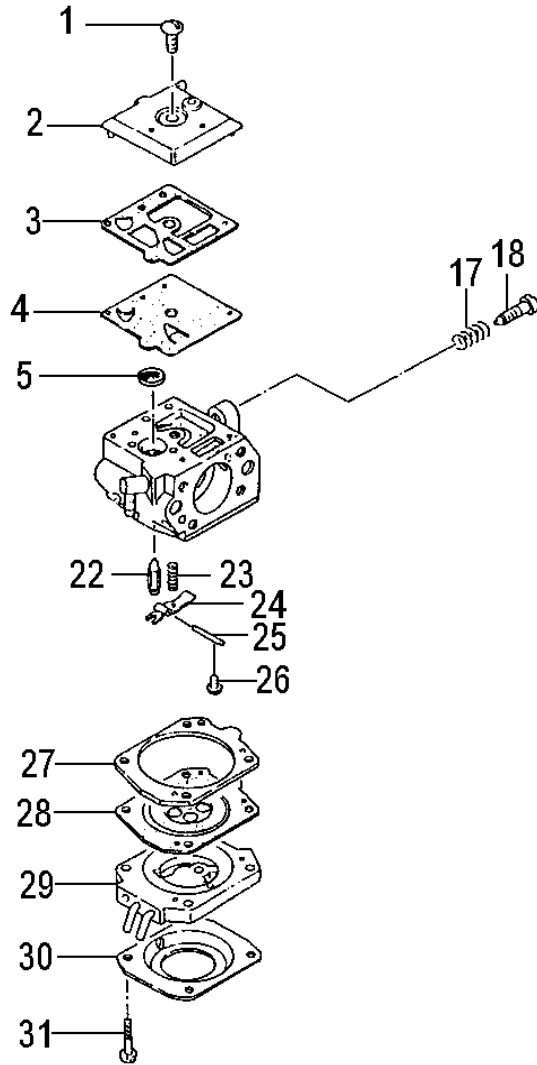
REF. NUMBER	PARTS NUMBER	DESCRIPTION	Q'TY	SERIAL NUMBER
001	738-04220-20	MUFFLER PROTECTOR	1	
002	994-15050-122	SCREW 5X12/PS	1	
003	994-61050-124	HEX. HOLE BOLT 5X12S	1	
004	992-01050-061	WASHER 5	1	
005	990-53060-653	HEX. HOLE BUTTON SCREW 6X65	2	
006	992-01060-011	WASHER 6	2	
007	704-0423Z-90	MUFFLER SET, SPARE	1	
009	751-04200-20	MUFFLER SPECIAL GASKET	1	
010	721-0423Z-90	TAIL PIPE SET, SPARE	1	
011	994-14040-081	SCREW 4X8/S	2	
014	737-04230-20	MUFFLER GASKET	1	
016	133-04230-20	HEAT SHIELD	1	
023	994-15050-182	SCREW 5X18/PS	2	
024	994-15050-252	SCREW 5X25PS	2	
025	653-04200-20	TANK BRACKET	1	
026	655-06100-20	FUEL TANK CUSHION RUBBER	2	
081	359-10112-20	CLUTCH WASHER B	2	
082	290-04270-80	CLUTCH ARM	2	
083	342-04270-20	CLUTCH SPRING	1	
084	992-04100-030	WAVE WASHER 10	2	
085	357-0136U-20	CLUTCH STEP BOLT	2	

**B44-05****CG47EJ RECOIL STARTER**

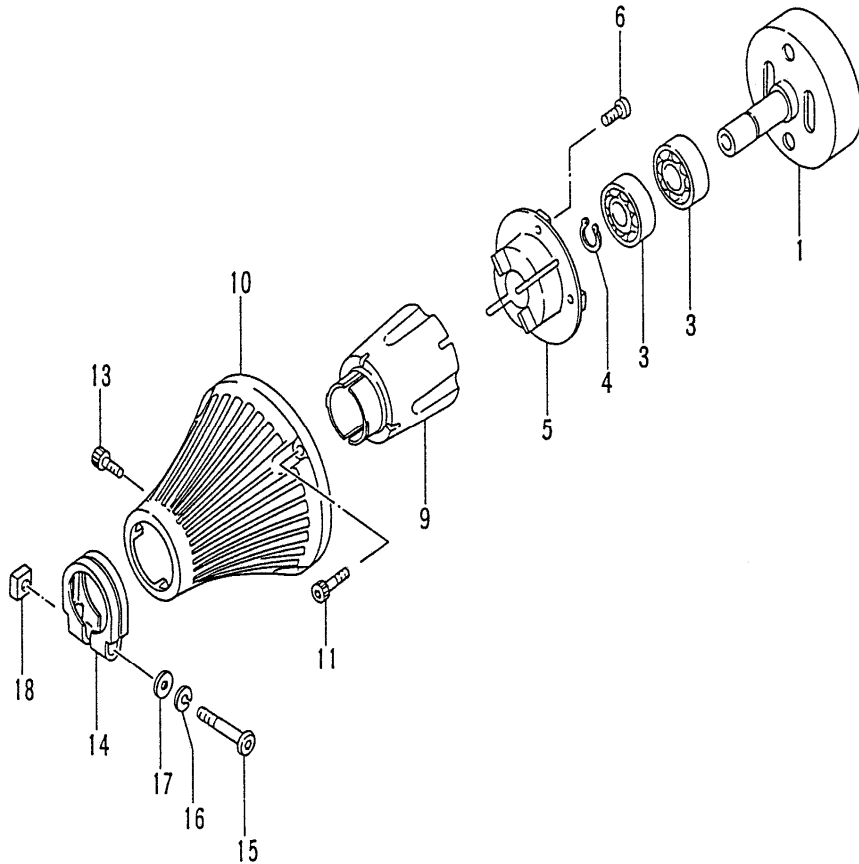
REF. NUMBER	PARTS NUMBER	DESCRIPTION	Q'TY	SERIAL NUMBER
000	762-04220-90	RECOIL STARTER BODY ASS'Y	1	
001	772-04220-80	RECOIL STARTER BODY COMP.	1	
002	769-04220-20	STARTER ROPE REEL	1	
003	779-04220-20	RECOIL SPRING	1	
009	783-04270-20	STARTER ROPE	1	
012	835-04220-20	STARTER HANDLE CAP	1	
014	785-04220-20	STARTER HANDLE	1	
017	839-04220-20	SET SCREW	1	
019	788-0162V-20	STARTER PAWL	1	
020	993-55050-000	STOP RING E-5	1	
024	790-0162V-20	STARTER PAWL SPRING	1	
025	798-04220-90	STARTER PULLEY	1	

**B44-06 CG47EJ AIR CLEANER**

REF. NUMBER	PARTS NUMBER	DESCRIPTION	Q'TY	SERIAL NUMBER
036	423-04270-20	CLEANER BODY	1	
037	659-00801-20	COLLAR 5.8	2	
038	476-0422U-80	BLOW OVER CHECK BOARD COMP.	1	
039	446-04270-20	CLEANER ELEMENT	1	
041	424-04270-90	CLEANER COVER ASS'Y	1	
042	450-04072-20	COVER FIXING BOLT	1	
043	994-14050-601	SCREW 5X60/S	2	

**B44-07****CG47EJ CARBURETOR**

REF. NUMBER	PARTS NUMBER	DESCRIPTION	Q'TY	SERIAL NUMBER
001	514-25001-20	SET SCREW	1	
002	575-25012-20	PUMP BODY	1	
003	577-25012-20	PUMP GASKET	1	
004	576-25012-20	PUMP DIAPHRAGM	1	
005	578-25007-20	INLET SCREEN	1	
017	463-25012-20	IDLE ADJUST SPRING	1	
018	462-25006-20	IDLE ADJUST SCREW	1	
022	603-25012-20	NEEDLE VALVE #	1	
023	477-25307-20	VALVE SPRING	1	
024	473-25012-20	CONTROL LEVER	1	
025	605-25001-20	HINGE PIN	1	
026	546-25001-20	HINGE PIN SET SCREW	1	
027	475-25032-20	DIAPHRAGM GASKET	1	
028	474-25032-80	METERING DIAPHRAGM COMP.	1	
029	454-25032-80	AIR PURGE COMP.	1	
030	476-25032-20	DIAPHRAGM COVER	1	
031	548-25016-20	SET SCREW	4	

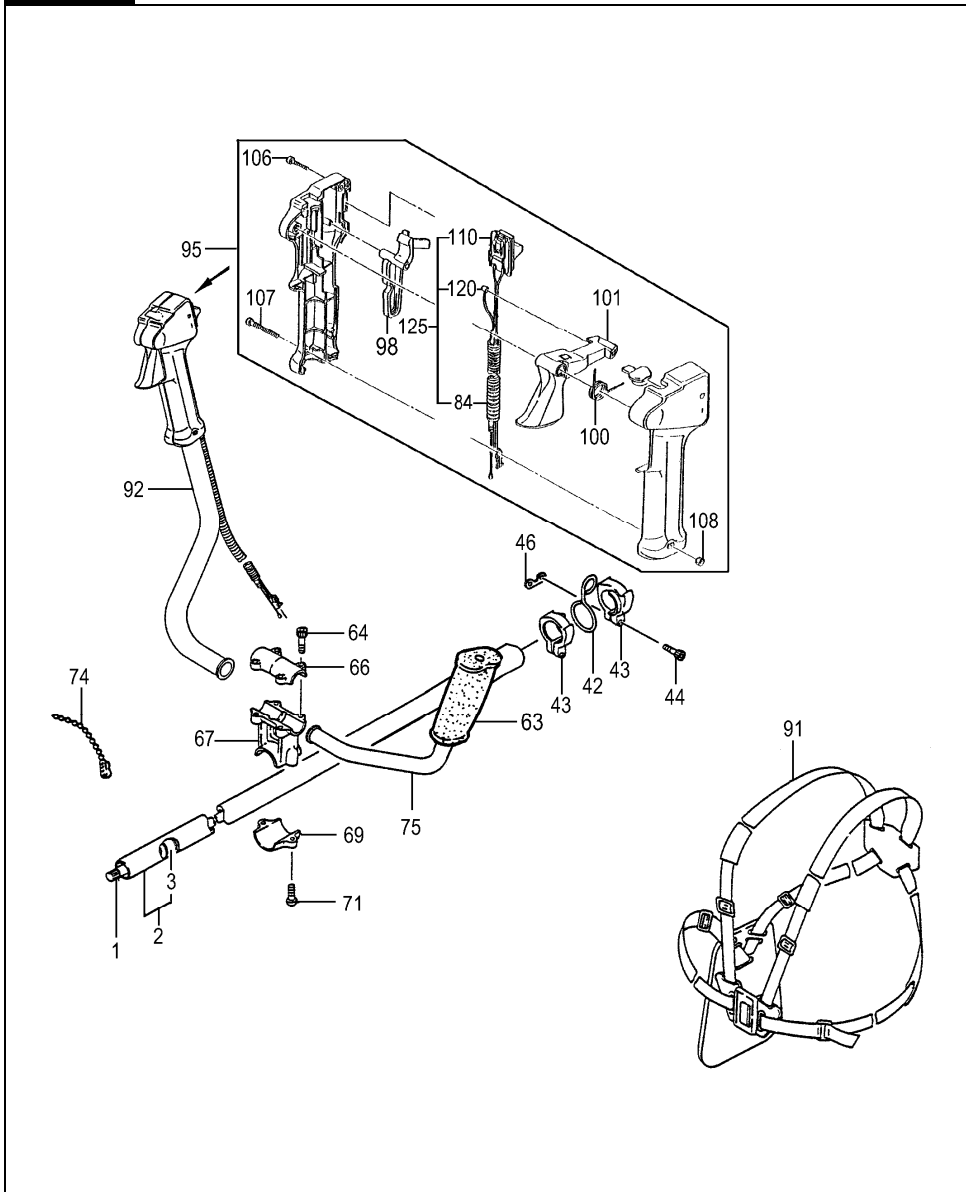
**B44-08****CG47EJ CLUTCH CASE**

REF. NUMBER	PARTS NUMBER	DESCRIPTION	Q'TY	SERIAL NUMBER
001	289-04205-80	CLUTCH SHAFT COMP.	1	
003	999-61620-202	BALL BEARING #6202Z, 35MM/OD	2	
004	993-50015-002	STOP RING C-15, OUTER	1	
005	347-04201-20	CLUTCH FLANGE	1	
006	994-14050-161	SCREW 5X16/S	4	
009	599-04201-81	CUSHION RUBBER COMP.	1	
010	331-04201-20	CLUTCH CASE	1	
011	994-61050-124	HEX. HOLE BOLT 5X12S	4	
013	990-51050-103	HEX. HOLE BOLT 5X10	1	
014	282-04201-20	PIPE HOLDER	1	
015	990-53060-453	HEX HOLE BUTTON SCREW 6X45	1	
016	992-10060-062	S.WASHER 6	1	
017	992-01060-061	WASHER 6	1	
018	991-91060-061	SQUARE NUT 6	1	



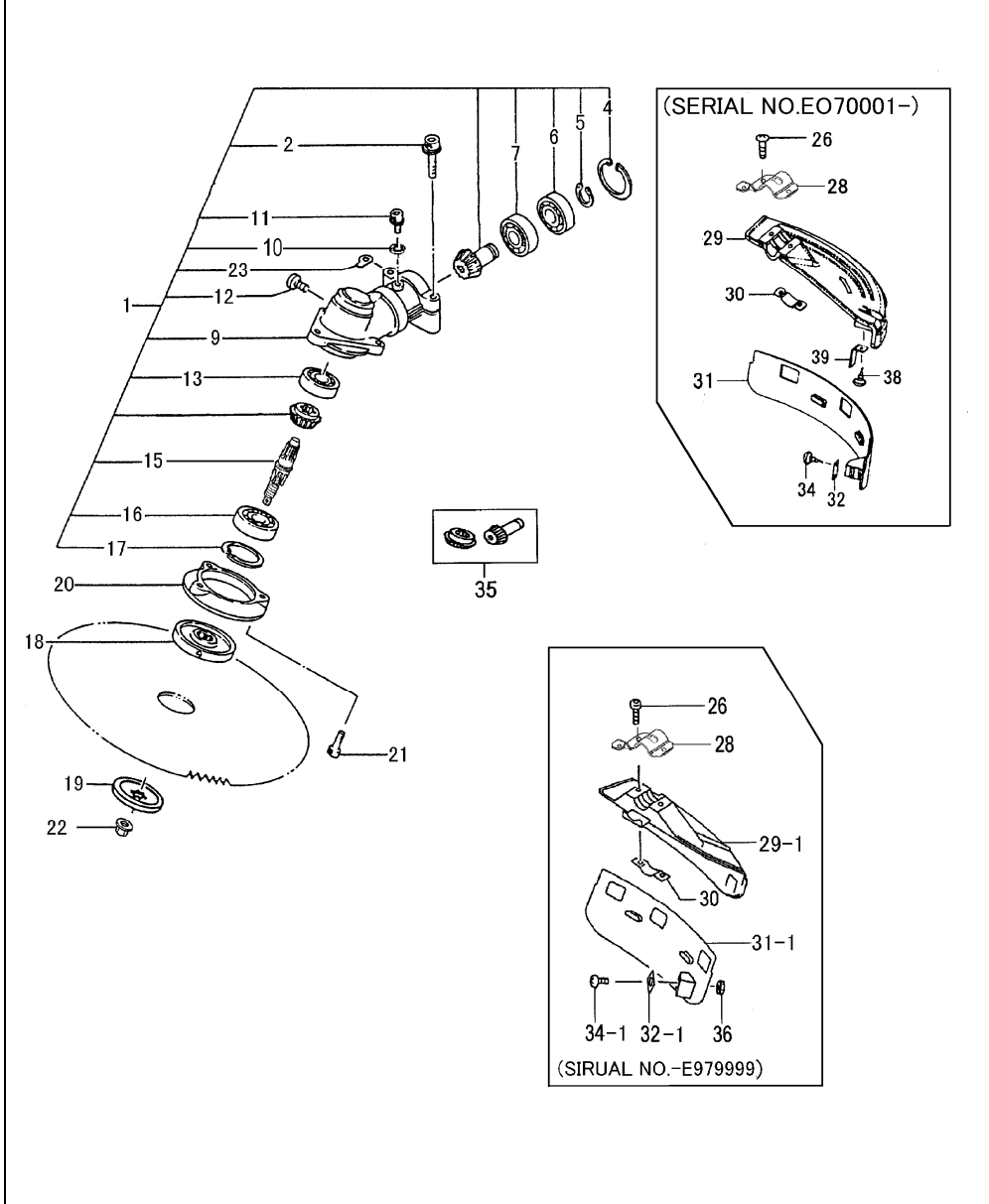
**B44-09**

**CG47EJ OPERATION PIPE**

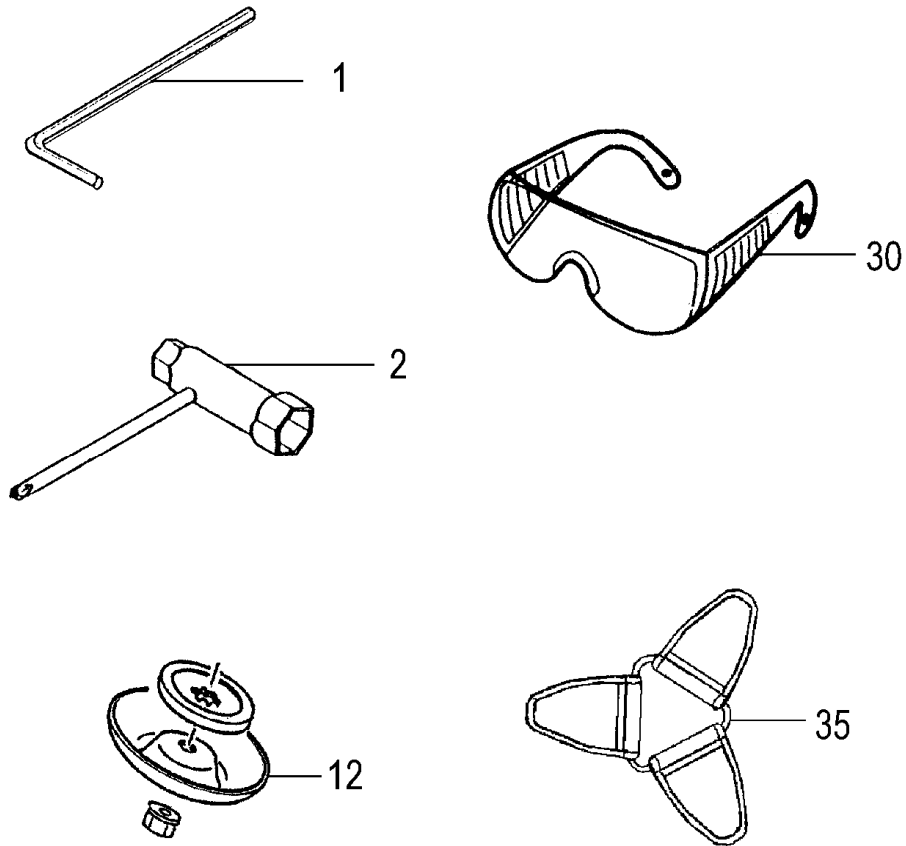


REF. NUMBER	PARTS NUMBER	DESCRIPTION	Q'TY	SERIAL NUMBER
001	343-37121-20	DRIVE SHAFT	1	
002	341-37100-80	DRIVE SHAFT PIPE COMP.	1	
003	347-37100-90	BUSHING ASS'Y	5	
042	335-37121-20	LIFTING METAL	1	
043	334-37121-20	LIFTING METAL COLLAR	2	
044	994-62050-304	HEX. HOLE BOLT 5X30.P	2	
046	315-37304-20	SPECIAL NUT	1	
063	165-37590-20	HANDLE GRIP	1	
064	994-61050-224	HEX. HOLE BOLT 5X22/S	4	
066	506-37121-20	HANDLE BRACKET A, SILVER	1	
067	507-37121-20	HANDLE BRACKET B, SILVER	1	
069	508-33411-20	HANDLE BRACKET C, SILVER	1	
071	994-81060-254	HEX. HOLE BUTTON SCREW 6X25S	2	
074	460-33111-20	CLAMP B.	3	
075	502-37415-21	LEFT HANDLE	1	
084	164-07079-00	PROTECTION TUBE 7X790L	1	
091	746-37857-90	SHOULDER BELT ASS'Y	1	
092	501-37169-20	RIGHT HANDLE SK	1	
095	870-37168-91	THROTTLE LEVER ASS'Y 19	1	
098	253-38400-20	SAFETY LEVER	1	
100	832-38400-20	RETURN SPRING	1	
101	880-38401-20	THROTTLE LEVER	1	
106	993-46040-202	SCREW 4X20, BLACK	2	
107	994-31050-303	SCREW 5X30, BLACK	1	
108	991-01050-043	CONTAL NUT 5	1	
110	156-37168-81	STOP SWITCH COMP.	1	
120	887-37168-80	THROTTLT WIRE	1	
125	885-37168-81	THROTTLE WIRE COMP.	1	

**B44-10 CG47EJ GEAR CASE**



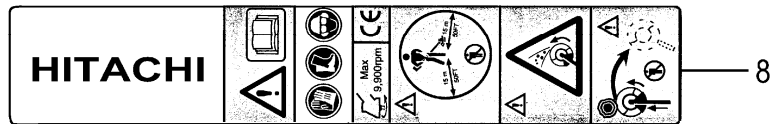
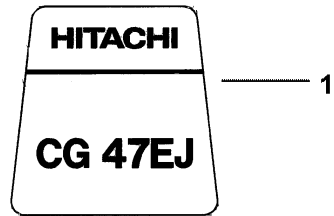
REF. NUMBER	PARTS NUMBER	DESCRIPTION	Q'TY	SERIAL NUMBER
001	300-37861-91	GEAR CASE ASS'Y, 30 DIA	1	
002	994-61050-254	HEX. HOLE BOLT 5X25/S	2	
004	993-51028-002	STOP RING C-28, INNER	1	
005	993-50012-002	STOP RING C-12, OUTER	1	
006	999-61600-102	BALL BEARING #6001Z, 28MM/OD	1	
007	999-61600-115	BALL BEARING 6001 C3	1	
009	300-33392-21	GEARCASE, SILVER	1	
010	992-10050-062	S.WASHER 5	1	
011	990-51050-123	HEX. HOLE BOLT 5X12	1	
012	994-23080-100	PLUS HEAD BOLT 8X10	1	
013	999-61600-000	BALL BEARING #6000, 26MM/OD	1	
015	304-37850-21	GEAR SHAFT 6X11X14	1	
016	999-61620-303	BALL BEARING #6203D, 40MM/OD	1	
017	993-51040-002	STOP RING C-40, INNER	1	
018	310-37100-22	CUTTER HOLDER	1	
019	311-37861-20	CUTTER HOLDER CAP,6X11X14	1	
020	307-37100-81	PROTECTION COVER A COMP.	1	
021	994-16050-162	SCREW 5X16/WS	3	
022	313-38100-20	CUTTER FIXING NUT,L/H	1	
023	324-37110-20	GEAR CASE WASHER	2	
026	994-81060-254	HEX. HOLE BUTTON SCREW 6X25S	2	
028	442-37862-20	COVER BRACKET 30	1	
029,1	441-37130-21	BLADE GUARD 30 CE	1	E979999
029	441-37862-20	BLADE GUARD 31 CE	1	EO70001 -
030	445-37380-20	SAFETY COVER HOLDER	1	
031,1	447-37380-20	COVER GUARD	1	E979999
031	447-38331-20	COVER GUARD	1	EO70001 -
032,1	797-37380-21	KNIFE	1	E979999
032	797-37714-20	KNIFE	1	EO70001 -
034,1	994-14050-121	SCREW 5X12/S	1	E979999
034	993-48040-142	TAPPING SCREW 4X14P	1	EO70001 -
035	301-37100-00	GEAR-PINION SET, SPARE	1	
036	991-01050-011	HEX. NUT 5	1	E979999
038	993-17052-002	TAPPING SCREW 5X20	1	EO70001 -
039	797-38331-20	KNIFN	1	EO70001 -

**B44-11 CG47EJ TOOLS**

REF. NUMBER	PARTS NUMBER	DESCRIPTION	Q'TY	SERIAL NUMBER
001	813-20000-20	HEX. WRENCH 4	1	
002	826-20000-80	COMBI, BOX WRENCH 17X19	1	
012	308-37861-20	PROTECTION COVER B	1	
030	541-37590-20	PROTECTION GLASSES	1	
035	615-37181-20	CUTTER COVER	1	

**B44-12**

**CG47EJ LABELS**



REF. NUMBER	PARTS NUMBER	DESCRIPTION	Q'TY	SERIAL NUMBER
001	929-04293-20	SYMBOL MARK CG47EJ	1	
002	906-04293-20	NAME PLATE CG47EJ	1	
008	919-38515-20	CAUTION MARK 9900RPM	1	