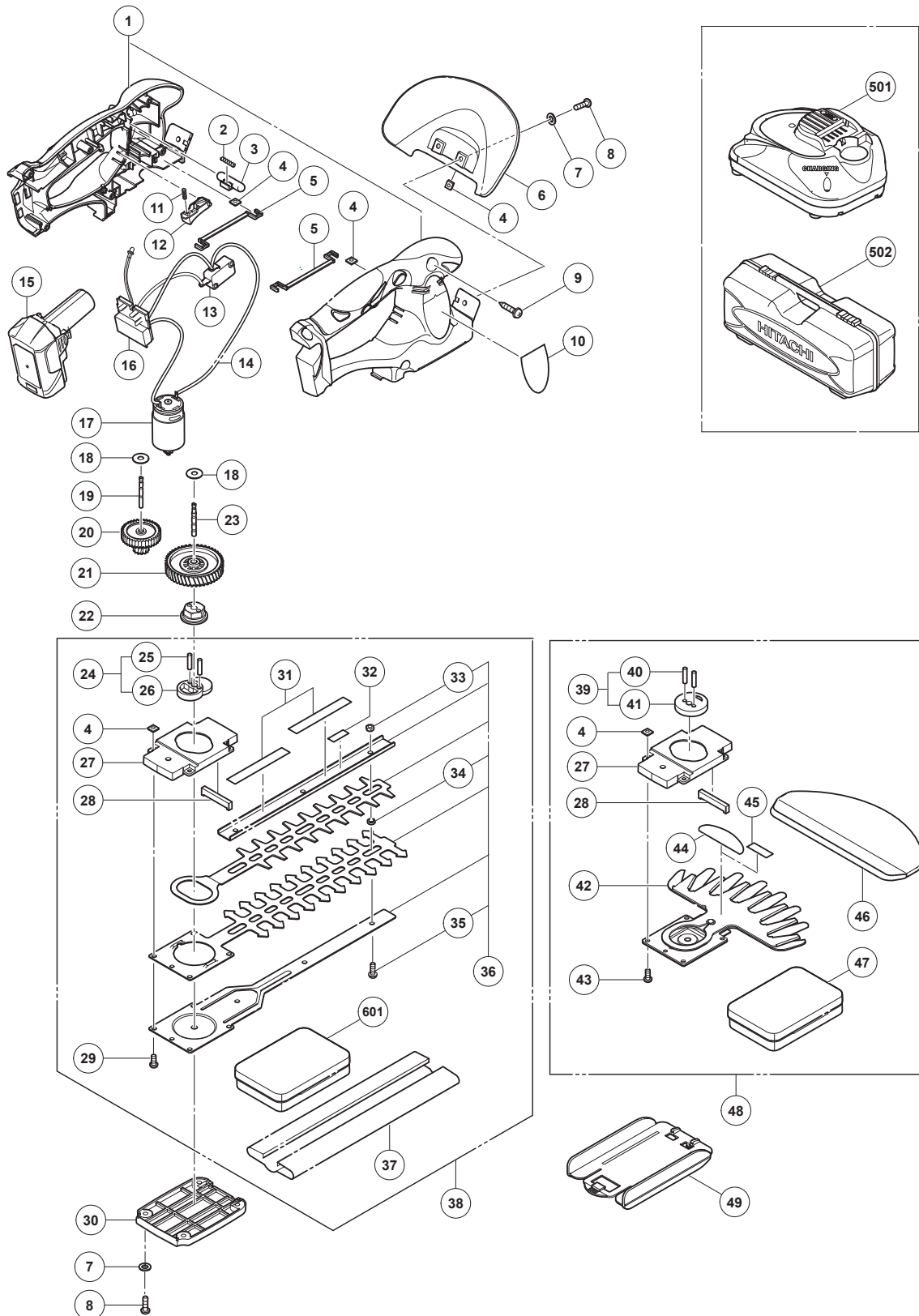


ELECTRIC TOOL PARTS LIST

CORDLESS SHRUB SHEAR Model CH 10DL

2009·3·10
(E1)



PARTS

CH 10DL

ITEM NO.	CODE NO.	DESCRIPTION	NO. USED	REMARKS
1	330-882	HOUSING	1	
2	324-306	SPRING (A)	1	
3	324-298	LOCK-OFF BUTTON	1	
4	330-056	NUT M4	10	
5	329-837	NUT HOLDER	2	
6	330-879	PROTECTOR	1	
7	949-423	WASHER M4 (10 PCS.)	6	
8	949-217	MACHINE SCREW M4X12 (10 PCS.)	6	
9	301-653	TAPPING SCREW (W/FLANGE) D4X20 (BLACK)	6	
10		NAME PLATE	1	
11	324-307	SPRING (B)	1	
12	324-299	TRIGGER	1	
13	320-786	SWITCH	1	
14	330-058	INTERNAL WIRE	1	
* 15	331-067	BATTERY BCL 1015 (EUROPE, AUS, NZL)	1	
* 15	331-065	BATTERY BCL 1015 (USA, CAN)	1	
16	329-839	CONTROLLER (C)	1	
17	330-880	MOTOR DC 10.8V	1	
18	329-835	WASHER D15	2	
19	329-832	SHAFT (B)	1	
20	330-055	FIRST GEAR	1	
21	329-831	FINAL GEAR	1	
22	329-833	CRANK HOLDER	1	
23	329-830	SHAFT (A)	1	
24	330-878	CRANK CAM ASS'Y	1	INCLUD. 25, 26
25		PIN (B)	1	
26		CRANK CAM (A)	1	
27		CRANK CASE	1	
28		DUST FELT	1	
29	323-211	MACHINE SCREW M4X8 (BLACK)	4	
30	330-883	BOTTOM COVER	1	
* 31		LABEL (USA)	1	
* 32		LABEL (EURO)	1	
33	319-931	U-NUT M4	3	
34	996-689	DISTANCE PIECE	3	
35	949-217	MACHINE SCREW M4X12 (10 PCS.)	3	
* 36		BLADE ASS'Y (CH)	1	INCLUD. 33, 34, 35
* 36		BLADE ASS'Y (CH)	1	INCLUD. 33, 34, 35 FOR USA, CAN
37	330-884	BLADE CASE	1	
* 38	330-881	BLADE SET (CH)	1	INCLUD. 4, 24, 27-29, 32, 36, 37, 601
* 38	331-257	BLADE SET (CH)	1	INCLUD. 4, 24, 27-29, 31, 36, 37, 601 FOR USA, CAN
39	330-886	CRANK CAM ASS'Y	1	INCLUD. 40, 41
40		CRANK CAM (B)	1	
41		PIN (B)	1	
* 42		BLADE (CG)	1	
* 42		BLADE (CG)	1	FOR USA, CAN
43	323-211	MACHINE SCREW M4X8 (BLACK)	4	
* 44		LABEL (EURO)	1	
* 45		LABEL (USA)	1	

