

# H45

## CH55EPC (SM)

**Serial No. :**

MPREF	MPHIN	MPNAM	MPQTY1	MPQMPQTY3
		+++++++ MODEL:CH55EPCM ++++++		
		H45-01 CYLINDER/PISTON/CRANK		
001	157-01680-90	PLUG CAP ASS'Y	1	
002	018-00555-20	SPARK PLUG, RCJ8Y	1	
006	001-07355-90	CYLNDER SET	1	
007	994-61050-184	HEX. HOLE BOLT 5X18/S	4	
009	017-07355-20	CYLINDER GASKET T=1.0	1	
011	041-01700-20	PISTON RING	2	
012	030-07350-90	PISTON SET	1	
013	039-00601-20	PISTON PIN CIRCLIP	2	
014	037-07045-20	PISTON PIN	1	
016	046-07350-82	CRANK SHAFT COMP.	1	
017	999-62081-225	NEEDLE BRG F-810 1.4X8.5	1	
043	167-21012-80	IGNITION COIL COMP.	1	
045	191-01680-90	LEAD WIRE ASS'Y	1	
046	994-64040-184	HEX. HOLE BOLT 4X18WS	2	
050	167-21012-90	IGNITION COIL ASSY	1	
		H45-02 CRANK CASE		
019	330-00200-21	GEAR SHAFT SHIM 0.10	V	
019	330-00200-22	GEAR SHAFT SHIM 0.15	V	
019	330-00200-23	GEAR SHAFT SHIM 0.20	V	
019	330-00200-24	GEAR SHAFT SHIM 0.30	V	
024	155-21012-81	MAGNETO ROTOR COMP.	1	
025	991-01080-011	HEX. NUT 8	1	
027	992-01080-011	WASHER 8	1	
031	072-03045-93	CRANK CASE ASS'Y	1	
032	999-66122-200	OIL SEAL TB 12227	2	
033	999-61600-115	BALL BEARING 6001 C3	2	
034	090-07350-22	CRANK CASE GASKET	1	
036	994-61050-164	HEX. HOLE BOLT 5X16S	4	
		H45-03 ENGINE-1		
080	403-07020-21	INLET MANIFORD GASKET	1	
081	404-07020-91	INSULATOR SET	1	
082	994-64050-254	HEX. HOLE BOLT 5X25WS	2	
085	402-0602K-21	CARBURETOR GASKET	2	
086	528-07355-22	CHOKE LEVER 1.5	1	
088	423-0652N-80	CLEANER BODY COMP.	1	
089	446-0652N-20	CLEANER SPONGE	1	
090	452-07035-90	CLEANER COVER ASS'Y	1	
091	450-07024-80	COVER FIXING BOLT	1	
094	994-14050-571	SCREW 5X57/S	2	
096	992-00050-011	SMALL WASHER 5	2	
098	455-07355-90	CABURETOR SET WYJ-431	1	
099	523-0652N-20	CHOKE CONTROL LEVER	1	
100	591-07355-22	TANK ORG	1	
109	659-04300-20	COLLAR C	3	
110	534-32710-20	RETURN GROMMET	1	
111	700-03005-06	FUEL PIPE 3X5X60	1	
112	675-04042-80	PUMP FILTER BODY COMP.	1	
113	680-00731-20	CLIP, 6.3 DIA.	1	
114	223-0097A-90	FUEL PIPE ASS'Y	1	
116	994-63050-204	HEX.HOLE BOLT 5X20PS	3	
117	595-01690-90	TANK CAP ASS'Y (BLACK)	1	
118	990-75040-154	TAPPING SCREW 4X15	1	
119	992-01040-011	WASHER 4	1	
120	940-07350-20	STAND	1	
200	626-32550-20	TANK CAP CHAIN	1	
		H45-04 ENGINE-2		
001	016-07350-20	CYLINDER COVER	1	
004	994-63050-164	HEX. HOLE BOLT 5X16/PS	2	

005	990-51060-553	HEX HOLE BOLT 6X55	2
006	992-01060-011	WASHER 6	2
007	704-07350-90	MUFFLER SET	1
016	737-0165A-20	MUFFLER GASKET	1
021	738-07350-20	MUFFLER PROTECTOR	1
024	994-64040-185	HEX. HOLE BOLT 4X18WS	2
030	257-03046-20	PLUG CAP	1
031	359-02103-20	CLUTCH WASHER B	2
032	290-01620-80	CLUTCH SHOE COMP.	2
033	342-0630B-20	CLUTCH SPRING	1
034	348-0630A-20	CLUTCH PLATE A 0.5	2
035	357-0075T-20	STEP BOLT	2
036	994-63050-204	HEX.HOLE BOLT 5X20PS	3
038	992-05080-030	BENT WASHER 8	2
045	990-72045-164	TAPPING SCREW 4.5X16	1
073	133-07350-20	HEAT SHIELD	1
		H45-05 RECOIL STARTER	
000	762-07350-90	RECOIL STARTER BODY ASS'Y	1
001	772-07350-80	RECOIL STARTER BODY COMP.	1
002	783-0720F-20	STARTER ROPE 3.5X860	1
003	780-06097-20	RECOIL SPRING	1
004	774-0720F-20	STARTER ROPE REEL	1
005	758-0651H-20	DUMPER SPRING	1
006	759-0651H-20	CAM PLATE	1
007	839-03045-20	SET SCREW	1
008	785-03045-20	STARTER HANDLE	1
022	798-0651H-90	STARTER PULLEY ASS'Y	1
024	994-64040-185	HEX. HOLE BOLT 4X18WS	2
025	993-55050-000	STOP RING E-5	2
026	790-06097-20	STARTER PAWL SPRING	2
027	788-0651H-20	STARTER PAWL	2
		H45-06 CARBURETOR	
002	575-25153-80	PUMP BODY COMP	1
003	442-25151-80	PRIMING PUMP COMP.	1
004	476-25151-20	DIAPHRAGM COVER	1
005	447-25108-20	PRIMING BODY	1
006	474-25241-80	METERING DIAPHRAGM COMP.	1
007	475-25153-20	DIAPHRAGM GASKET	1
008	576-25100-20	PUMP DIAPHRAGM	1
009	577-25292-20	PUMP GASKET	1
010	599-2000W-42	MAIN JET #42	1
011	550-25100-20	O-RING	1
012	489-25100-20	STOP RING	1
013	539-25120-20	SWIVEL	1
015	514-25100-20	THROTTLE SET SCREW	2
016	544-25164-20	CABLE ADJUSTER STAY	1
017	613-25100-20	CABLE ADJUST NUT	1
018	614-25137-20	CABLE ADJUSTER	1
019	431-0634C-20	CLEANER PACKING	1
020	548-25151-20	SET SCREW	4
021	549-25165-20	THRUST WASHER	1
201	578-25007-20	INLET SCREEN	1
		H45-07 FAN CASE	
001	289-03070-80	CLUTCH DRUM COMP.	1
003	993-50012-002	STOP RING C-12, OUTER	1
005	599-00980-21	CUSHION RUBBER	1
006	990-51050-163	HEX. HOLE BOLT 5X16	1
008	994-61050-254	HEX. HOLE BOLT 5X25/S	1
011	112-03045-80	FAN CASE COMP.	1
015	360-00996-20	PIPE HOLDER, 24 DIA.	1
026	992-01050-061	WASHER 5	1

027	324-37350-20	GEAR CASE WASHER	1
028	361-00990-20	METAL FITTING	1
		H45-08 OPERATION PIPE	
001	343-32243-20	DRIVE SHAFT 633L	1
002	341-32243-80	DRIVE SHAFT PIPE 600L	1
003	347-38360-90	BUSH ASS'Y	2
016	335-37526-90	LIFTING METAL ASS'Y	1
017	215-32243-20	BRACKET A	1
018	216-32243-20	BRACKET B	1
019	210-33160-22	FRONT HANDLE	1
025	870-38400-90	THROTTLE LEVER ASS'Y, 24 DIA.	1
026	990-51050-553	HEX. HOLE BOLT 5X55	2
027	994-81060-254	HEX. HOLE BUTTON SCREW 6X25S	2
028	991-01050-041	NUT 5	2
029	991-01060-041	HEX. NUT 6	2
030	992-01050-061	WASHER 5	2
031	992-01060-061	WASHER 6	2
032	992-10050-062	S. WASHER 5	2
083	885-38400-80	THROTTLE WIRE COMP.	1
084	887-38400-80	THROTTLE WIRE	1
085	156-38400-80	STOP SWITCH COMP.	1
086	164-07017-50	PROTECTION TUBE 7X175	1
098	253-38400-20	SAFETY LEVER	1
100	832-38400-20	RETURN SPRING	1
103	881-38400-80	THROTTLE STOPPER COMP.	1
110	994-31050-203	SCREW 5X20	2
111	991-01050-043	CONTAL NUT 5	2
112	993-46040-202	SCREW 4X20, BLACK	4
125	880-38400-20	THROTTLE LEVER	1
		H45-09 GEAR CASE	
001	300-32287-21	GEAR CASE A, 24 DIA	1
003	999-61690-101	BALL BEARING 6901ZZ, 24MM/OD	2
004	993-52012-002	STOP RING S-12, OUTER	1
005	993-51024-002	STOP RING C-24, INNER	1
006	999-61608-013	BALL BEARING 608 ZZ C3	1
007	993-51022-002	STOP RING C-22, INNER	1
008	300-32250-80	GREASE NIPPLE COMP.	3
011	990-51050-103	HEX. HOLE BOLT 5X10	1
012	994-61050-254	HEX. HOLE BOLT 5X25/S	1
013	990-53060-125	HEX. HOLE BOLT 6X12	2
014	871-32600-20	SPECIAL WASHER B	2
015	301-32286-21	GEAR CASE B	1
016	999-61600-014	BALL BEARING #6000 2RS C3	1
017	993-51026-002	STOP RING C-26, INNER	1
018	871-32600-20	SPECIAL WASHER B	2
019	993-55060-000	STOP RING E-6	1
020	327-32280-20	GEAR CASE COVER A	1
022	990-51040-085	HEX HOLE BOLT 4X8	2
023	999-61608-013	BALL BEARING 608 ZZ C3	1
024	993-51022-002	STOP RING C-22, INNER	1
026	210-32286-20	HANDLE	1
029	990-53060-153	HEX HOLE BUTTON SCREW 6X15	2
030	088-32287-20	GREASE SEALED	1
035	302-32286-01	GEAR SET	1
036	512-32286-80	HANDLE KNOB A COMP.	1
041	990-23060-141	PLUS BOLT 6X14	1
042	991-87060-001	NUT 6 UPS-P	1
043	462-32286-20	SUPPORT PLATE	1
044	086-32286-20	GREASE SEAL B	1
045	222-32286-20	ANGLE LIMITTER	1
046	992-01060-011	WASHER 6	1

		H45-10 BLADE	
001	100-32282-81	CAM SHAFT COMP.	1
002	101-33160-22	CAM ROD	2
003	075-32280-20	CAM-ROD GUIDE PLATE	2
004	122-32286-21	CUTTER GUIDE 625.5MM	1
005	120-32287-21	CUTTER A	2
006	124-32287-20	FIXING BOLT A M6	1
007	129-33202-20	WASHER 7 BLACK	4
008	991-82060-001	FLANGE NUT 6	3
009	990-52060-165	HEX HOLE FLUSH SCREW 6X16	1
010	085-32286-20	GREASE SEAL A	2
011	105-32280-20	CAM-ROD HOLDING PLATE	1
012	328-32280-22	GEAR CASE COVER B	1
013	999-61608-013	BALL BEARING 608 ZZ C3	1
014	994-61040-104	HEX. HOLE BOLT 4X10S	2
015	994-61040-124	HEX. HOLE BOLT 4X12S	6
016	138-33168-20	CUTTER COVER	1
020	125-32287-20	CUTTER FIXING BOLT B	3
021	990-52060-255	HEX. HOLE FLUSH BOLT 6X25	1
022	087-32286-20	GREASE SEAL B	1
023	296-32286-20	SPACER	1
024	136-32286-20	PROTECTION PLATE	1
025	991-87060-001	NUT 6 UPS-P	1
026	992-01060-011	WASHER 6	1
029	036-29331-50	COMBI. BOX SPANNER 10X19 , PLUS	1
030	813-20000-20	HEX. WRENCH 4	1
		H45-11 LABELS	
001	929-53601-21	SYMBOL MARK CH55EPC(SM)	1
005	915-07366-21	STARER MARK S-START	1
010	907-32243-20	CAUTION MARK	1
025	919-73800-20	CAUTION MARK HITACHI	1
		===== END OF DATA =====	



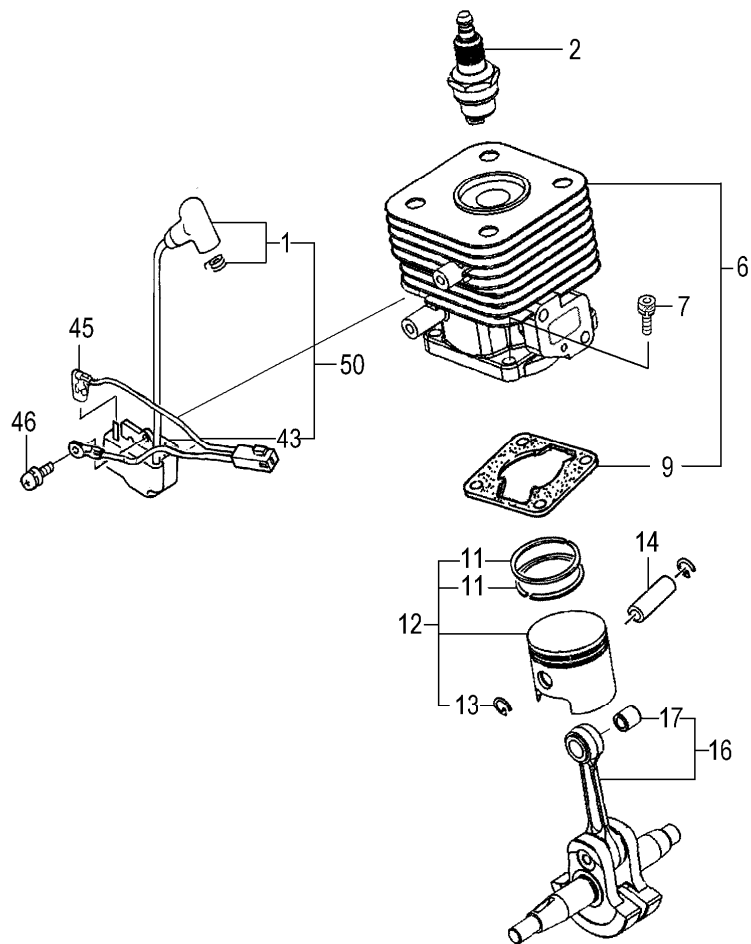






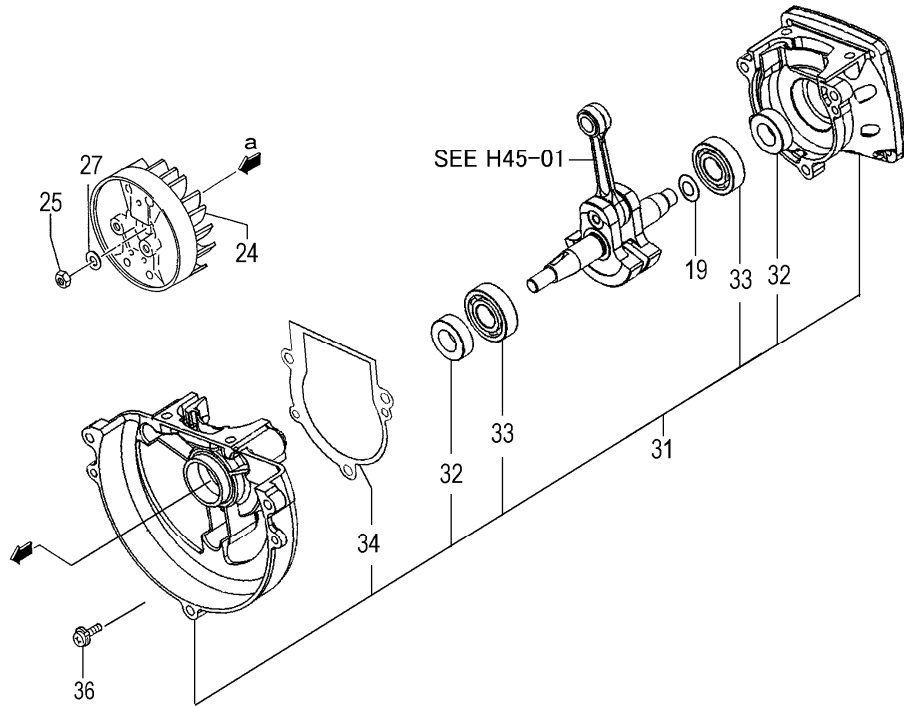


# H45-01 CH55EPC(SM) CYLINDER/PISTON/CRANK SHAFT



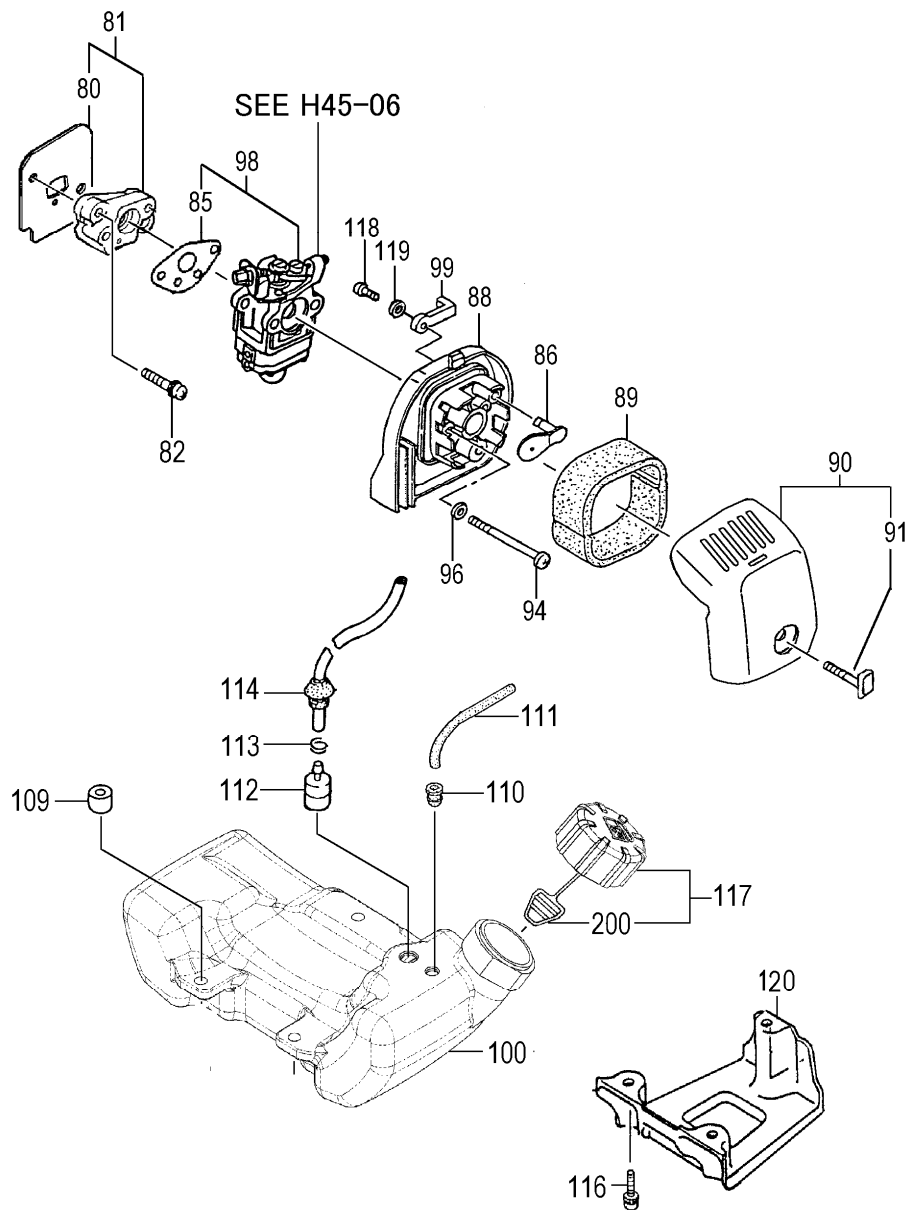
REF. NUMBER	PARTS NUMBER	DESCRIPTION	Q'TY	SERIAL NUMBER
001	157-01680-90	PLUG CAP ASS'Y	1	
002	018-00555-20	SPARK PLUG, RCJ8Y	1	
006	001-07355-90	CYLNDER SET	1	
007	994-61050-184	HEX. HOLE BOLT 5X18/S	4	
009	017-07355-20	CYLINDER GASKET T=1.0	1	
011	041-01700-20	PISTON RING	2	
012	030-07350-90	PISTON SET	1	
013	039-00601-20	PISTON PIN CIRCLIP	2	
014	037-07045-20	PISTON PIN	1	
016	046-07350-82	CRANK SHAFT COMP.	1	
017	999-62081-225	NEEDLE BRG F-810 1.4X8.5	1	
043	167-21012-80	IGNITION COIL COMP.	1	
045	191-01680-90	LEAD WIRE ASS'Y	1	
046	994-64040-184	HEX. HOLE BOLT 4X18WS	2	
050	167-21012-90	IGNITION COIL ASSY	1	

# H45-02 CH55EPC(SM) CRANK CASE



REF. NUMBER	PARTS NUMBER	DESCRIPTION	Q'TY	SERIAL NUMBER
019	330-00200-21	GEAR SHAFT SHIM 0.10	V	
019	330-00200-22	GEAR SHAFT SHIM 0.15	V	
019	330-00200-23	GEAR SHAFT SHIM 0.20	V	
019	330-00200-24	GEAR SHAFT SHIM 0.30	V	
024	155-21012-81	MAGNETO ROTOR COMP.	1	
025	991-01080-011	HEX. NUT 8	1	
027	992-01080-011	WASHER 8	1	
031	072-03045-93	CRANK CASE ASS'Y	1	
032	999-66122-200	OIL SEAL TB 12227	2	
033	999-61600-115	BALL BEARING 6001 C3	2	
034	090-07350-22	CRANK CASE GASKET	1	
036	994-61050-164	HEX. HOLE BOLT 5X16S	4	

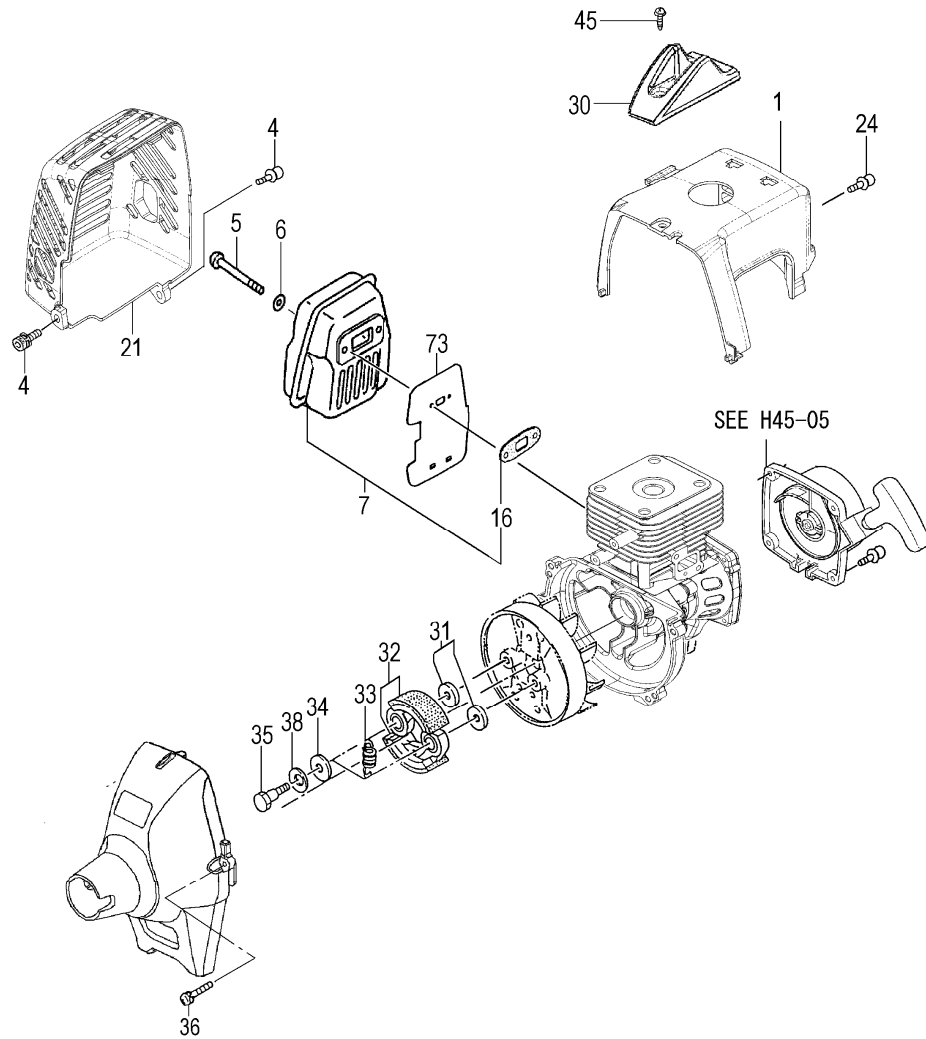
# H45-03 CH55EPC(SM) ENGINE-1



REF. NUMBER	PARTS NUMBER	DESCRIPTION	Q'TY	SERIAL NUMBER
080	403-07020-21	INLET MANIFORD GASKET	1	
081	404-07020-91	INSULATOR SET	1	
082	994-64050-254	HEX. HOLE BOLT 5X25WS	2	
085	402-0602K-21	CARBURETOR GASKET	2	
086	528-07355-22	CHOKE LEVER 1.5	1	
088	423-0652N-80	CLEANER BODY COMP.	1	
089	446-0652N-20	CLEANER SPONGE	1	
090	452-07035-90	CLEANER COVER ASS'Y	1	
091	450-07024-80	COVER FIXING BOLT	1	
094	994-14050-571	SCREW 5X57/S	2	
096	992-00050-011	SMALL WASHER 5	2	
098	455-07355-90	CABURETOR SET WYJ-431	1	
099	523-0652N-20	CHOKE CONTROL LEVER	1	
100	591-07355-22	TANK ORG	1	
109	659-04300-20	COLLAR C	3	
110	534-32710-20	RETURN GROMMET	1	
111	700-03005-06	FUEL PIPE 3X5X60	1	
112	675-04042-80	PUMP FILTER BODY COMP	1	
113	680-00731-20	CLIP, 6.3 DIA.	1	
114	223-0097A-90	FUEL PIPE ASS'Y	1	
116	994-63050-204	HEX.HOLE BOLT 5X20PS	3	
117	595-01690-90	TANK CAP ASS'Y (BLACK)	1	
118	990-75040-154	TAPPING SCREW 4X15	1	
119	992-01040-011	WASHER 4	1	
120	940-07350-20	STAND	1	
200	626-32550-20	TANK CAP CHAIN	1	

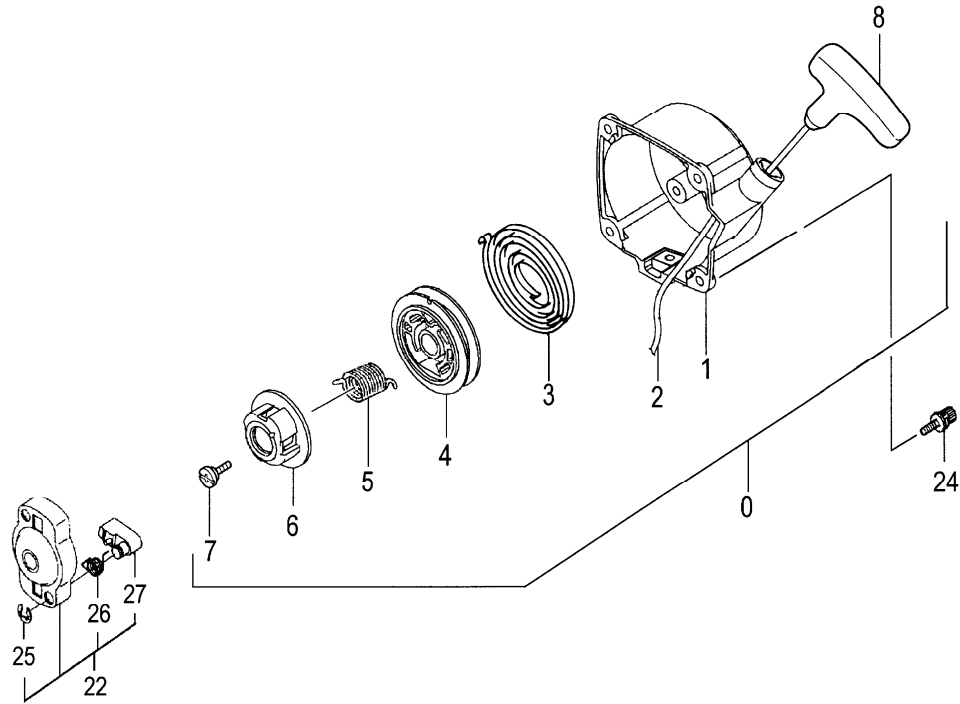


# H45-04 CH55EPC(SM) ENGINE-2



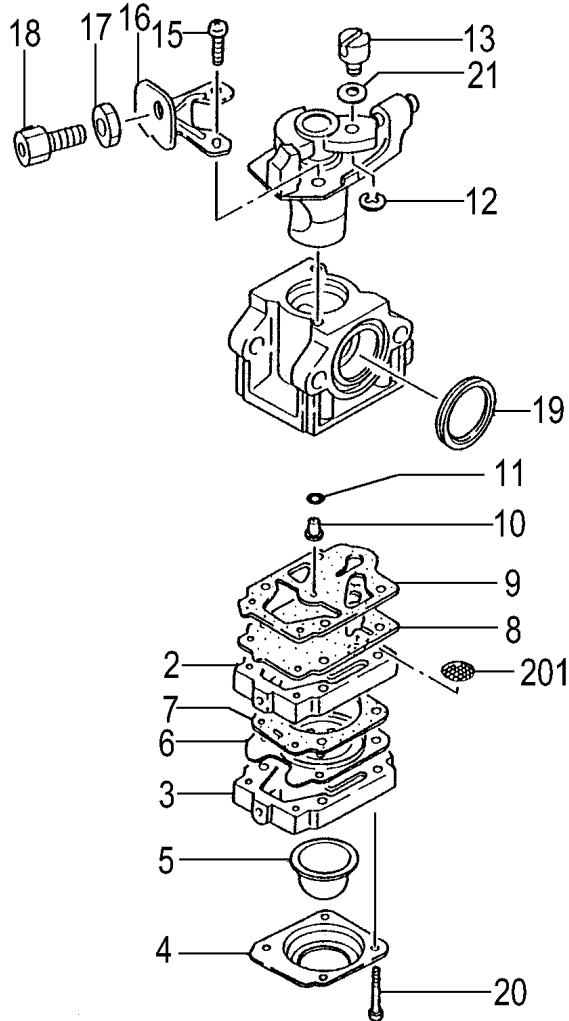
REF. NUMBER	PARTS NUMBER	DESCRIPTION	Q'TY	SERIAL NUMBER
001	016-07350-20	CYLINDER COVER	1	
004	994-63050-164	HEX.HOLE BOLT 5X16/PS	2	
005	990-51060-553	HEX HOLE BOLT 6X55	2	
006	992-01060-011	WASHER 6	2	
007	704-07350-90	MUFFLER SET	1	
016	737-0165A-20	MUFFLER GASKET	1	
021	738-07350-20	MUFFLER PROTECTOR	1	
024	994-64040-185	HEX. HOLE BOLT 4X18WS	2	
030	257-03046-20	PLUG CAP	1	
031	359-02103-20	CLUTCH WASHER B	2	
032	290-01620-80	CLUTCH SHOE COMP.	2	
033	342-0630B-20	CLUTCH SPRING	1	
034	348-0630A-20	CLUTCH PLATE A 0.5	2	
035	357-0075T-20	STEP BOLT	2	
036	994-63050-204	HEX.HOLE BOLT 5X20PS	3	
038	992-05080-030	BENT WASHER 8	2	
045	990-72045-164	TAPPING SCREW 4.5X16	1	
073	133-07350-20	HEAT SHIELD	1	

# H45-05 CH55EPC(SM) RECOIL STARTER



REF. NUMBER	PARTS NUMBER	DESCRIPTION	Q'TY	SERIAL NUMBER
000	762-07350-90	RECOIL STARTER BODY ASS'Y	1	
001	772-07350-80	RECOIL STARTER BODY C	1	
002	783-0720F-20	STARTER ROPE 3.5X860	1	
003	780-06097-20	RECOIL SPRING	1	
004	774-0720F-20	STARTER ROPE REEL	1	
005	758-0651H-20	DUMPER SPRING	1	
006	759-0651H-20	CAM PLATE	1	
007	839-03045-20	SET SCREW	1	
008	785-03045-20	STARTER HANDLE	1	
022	798-0651H-90	STARTER PULLEY ASS'Y	1	
024	994-64040-185	HEX. HOLE BOLT 4X18WS	2	
025	993-55050-000	STOP RING E-5	2	
026	790-06097-20	STARTER PAWL SPRING	2	
027	788-0651H-20	STARTER PAWL	2	

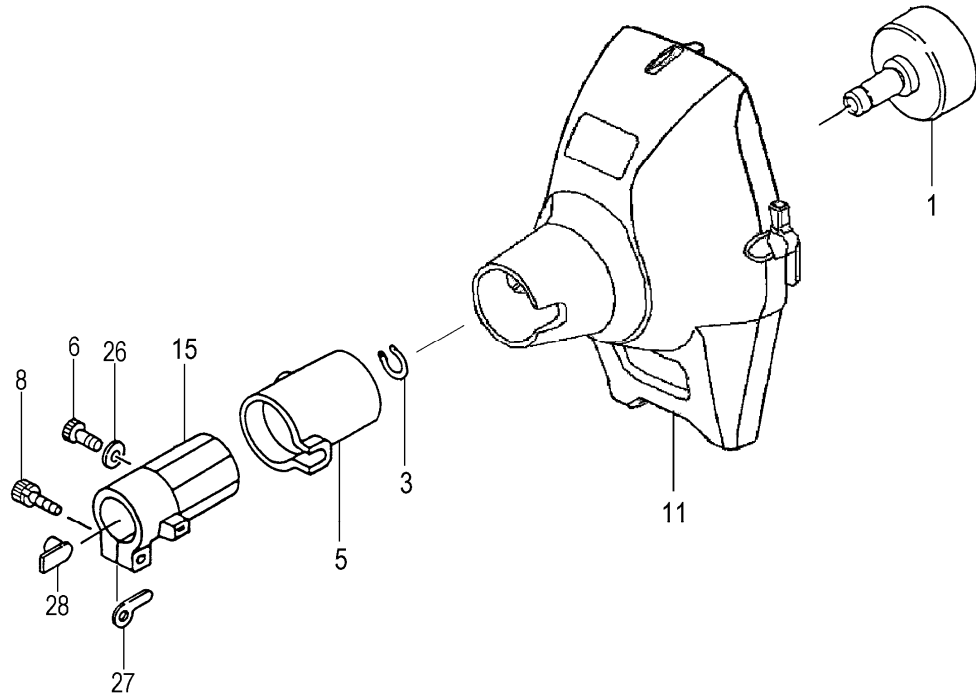
# H45-06 CH55EPC(SM) CARBURETOR



REF. NUMBER	PARTS NUMBER	DESCRIPTION	Q'TY	SERIAL NUMBER
002	575-25153-80	PUMP BODY COMP	1	
003	442-25151-80	PRIMING PUMP COMP.	1	
004	476-25151-20	DIAPHRAGM COVER	1	
005	447-25108-20	PRIMING BODY	1	
006	474-25241-80	METERING DIAPHRAGM CO	1	
007	475-25153-20	DIAPHRAGM GASKET	1	
008	576-25100-20	PUMP DIAPHRAGM	1	
009	577-25292-20	PUMP GASKET	1	
010	599-2000W-42	MAIN JET #42	1	
011	550-25100-20	O-RING	1	
012	489-25100-20	STOP RING	1	
013	539-25120-20	SWIVEL	1	
015	514-25100-20	THROTTLE SET SCREW	2	
016	544-25164-20	CABLE ADJUSTER STAY	1	
017	613-25100-20	CABLE ADJUST NUT	1	
018	614-25137-20	CABLE ADJUSTER	1	
019	431-0634C-20	CLEANER PACKING	1	
020	548-25151-20	SET SCREW	4	
021	549-25165-20	THRUST WASHER	1	
201	578-25007-20	INLET SCREEN	1	

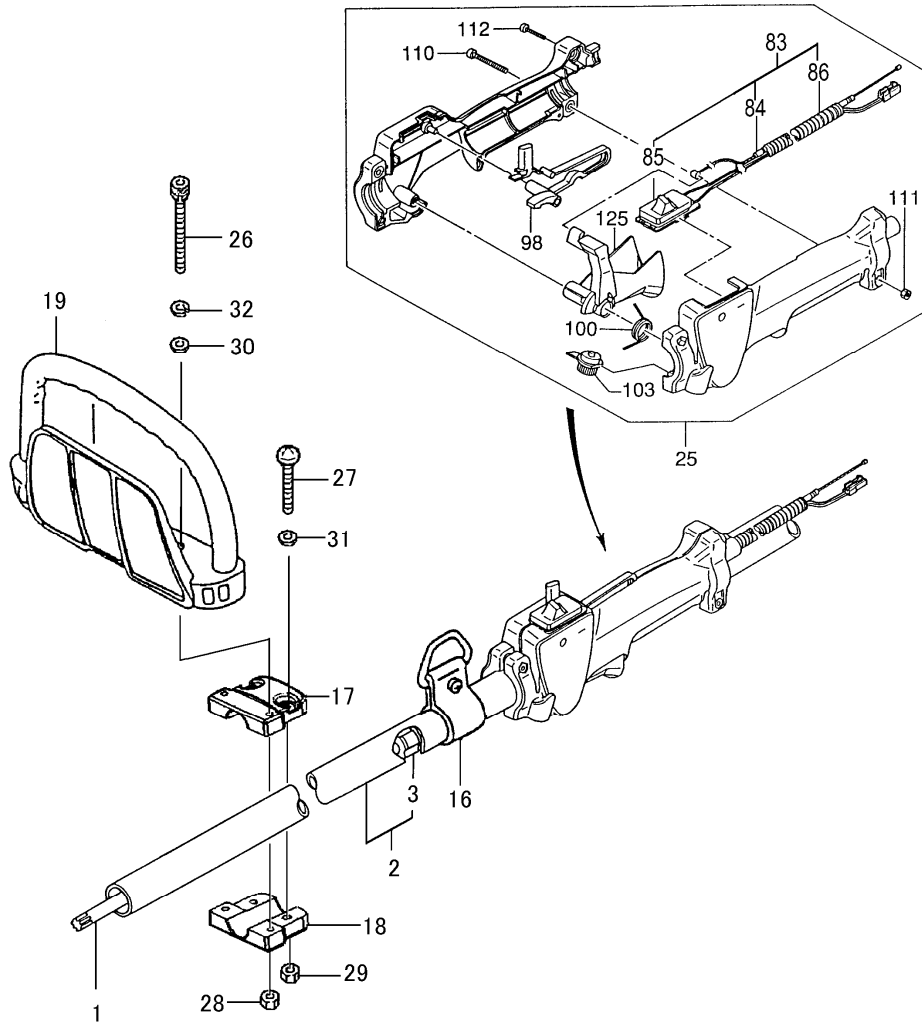


# H45-07 CH55EPC(SM) FAN CASE



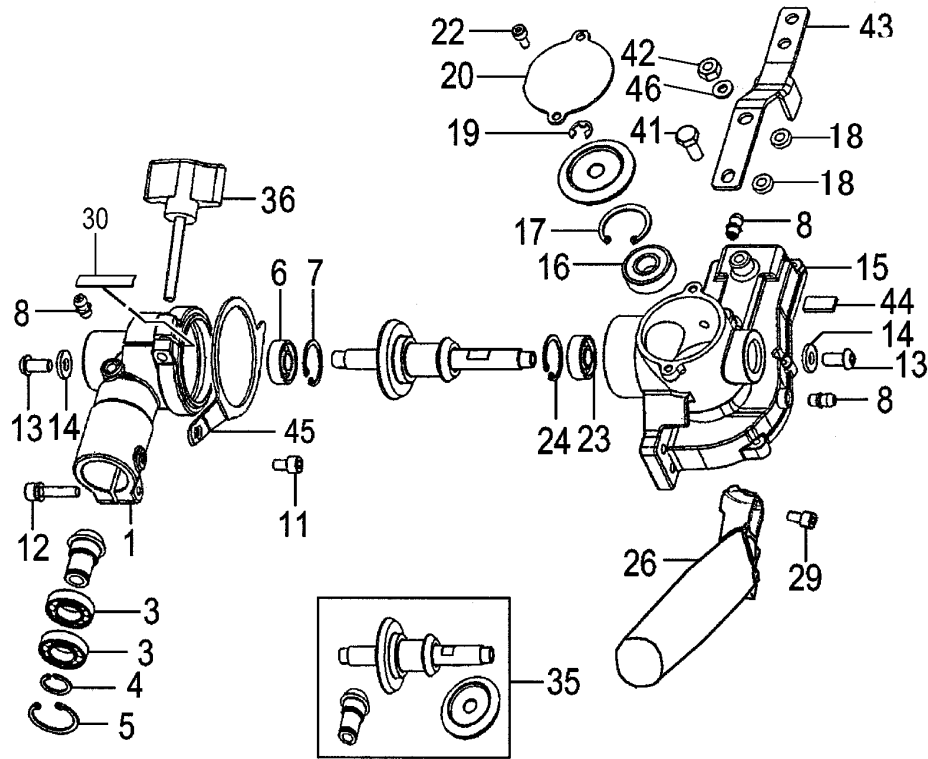
REF. NUMBER	PARTS NUMBER	DESCRIPTION	Q'TY	SERIAL NUMBER
001	289-03070-80	CLUTCH DRUM COMP.	1	
003	993-50012-002	STOP RING C-12, OUTER	1	
005	599-00980-21	CUSHION RUBBER	1	
006	990-51050-163	HEX. HOLE BOLT 5X16	1	
008	994-61050-254	HEX. HOLE BOLT 5X25/S	1	
011	112-03045-80	FAN CASE COMP.	1	
015	360-00996-20	PIPE HOLDER,24 DIA.	1	
026	992-01050-061	WASHER 5	1	
027	324-37350-20	GEAR CASE WASHER	1	
028	361-00990-20	METAL FITTING	1	

# H45-08 CH55EPC(SM) OPERATION PIPE



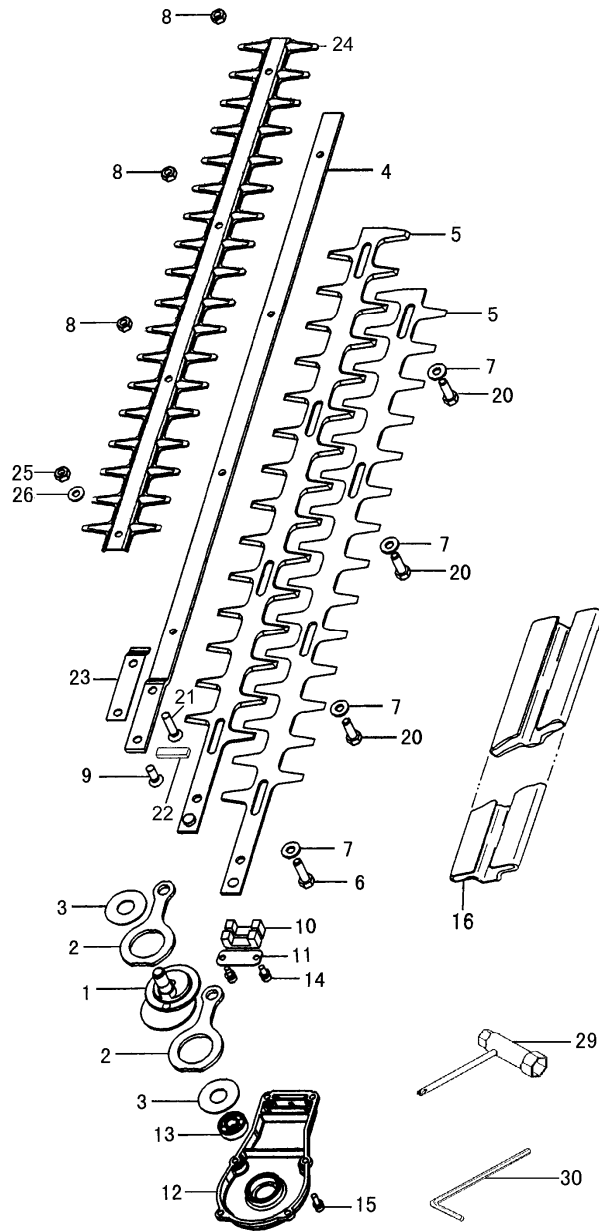
REF. NUMBER	PARTS NUMBER	DESCRIPTION	Q'TY	SERIAL NUMBER
001	343-32243-20	DRIVE SHAFT 633L	1	
002	341-32243-80	DRIVE SHAFT PIPE 600L	1	
003	347-38360-90	BUSH ASS'Y	2	
016	335-37526-90	LIFTING METAL ASS'Y	1	
017	215-32243-20	BRACKET A	1	
018	216-32243-20	BRACKET B	1	
019	210-33160-22	FRONT HANDLE	1	
025	870-38400-90	THROTTLE LEVER ASS'Y, 2	1	
026	990-51050-553	HEX. HOLE BOLT 5X55	2	
027	994-81060-254	HEX. HOLE BUTTON SCREW	2	
028	991-01050-041	NUT 5	2	
029	991-01060-041	HEX. NUT 6	2	
030	992-01050-061	WASHER 5	2	
031	992-01060-061	WASHER 6	2	
032	992-10050-062	S.WASHER 5	2	
083	885-38400-80	THROTTLE WIRE COMP.	1	
084	887-38400-80	THROTTLE WIRE	1	
085	156-38400-80	STOP SWITCH COMP.	1	
086	164-07017-50	PROTECTION TUBE 7X175	1	
098	253-38400-20	SAFETY LEVER	1	
100	832-38400-20	RETURN SPRING	1	
103	881-38400-80	THROTTLE STOPPER COM	1	
110	994-31050-203	SCREW 5X20	2	
111	991-01050-043	CONTAL NUT 5	2	
112	993-46040-202	SCREW 4X20, BLACK	4	
125	880-38400-20	THROTTLE LEVER	1	

# H45-09 CH55EPC(SM) GEAR CASE



REF. NUMBER	PARTS NUMBER	DESCRIPTION	Q'TY	SERIAL NUMBER
001	300-32287-21	GEAR CASE A,24 DIA	1	
003	999-61690-101	BALL BEARING 6901ZZ, 24M	2	
004	993-52012-002	STOP RING S-12, OUTER	1	
005	993-51024-002	STOP RING C-24, INNER	1	
006	999-61608-013	BALL BEARING 608 ZZ C3	1	
007	993-51022-002	STOP RING C-22, INNER	1	
008	300-32250-80	GREASE NIPPLE COMP.	3	
011	990-51050-103	HEX. HOLE BOLT 5X10	1	
012	994-61050-254	HEX. HOLE BOLT 5X25/S	1	
013	990-53060-125	HEX. HOLE BOLT 6X12	2	
014	871-32600-20	SPECIAL WASHER B	2	
015	301-32286-21	GEAR CASE B	1	
016	999-61600-014	BALL BEARING #6000 2RS	1	
017	993-51026-002	STOP RING C-26, INNER	1	
018	871-32600-20	SPECIAL WASHER B	2	
019	993-55060-000	STOP RING E-6	1	
020	327-32280-20	GEAR CASE COVER A	1	
022	990-51040-085	HEX HOLE BOLT 4X8	2	
023	999-61608-013	BALL BEARING 608 ZZ C3	1	
024	993-51022-002	STOP RING C-22, INNER	1	
026	210-32286-20	HANDLE	1	
029	990-53060-153	HEX HOLE BUTTON SCREW	2	
030	088-32287-20	GREASE SEALED	1	
035	302-32286-01	GEAR SET	1	
036	512-32286-80	HANDLE KNOB A COMP.	1	
041	990-23060-141	PLUS BOLT 6X14	1	
042	991-87060-001	NUT 6 UPS-P	1	
043	462-32286-20	SUPPORT PLATE	1	
044	086-32286-20	GREASE SEAL B	1	
045	222-32286-20	ANGLE LIMITTER	1	
046	992-01060-011	WASHER 6	1	

# H45-10 CH55EPC(SM) BLADE



REF. NUMBER	PARTS NUMBER	DESCRIPTION	Q'TY	SERIAL NUMBER
001	100-32282-81	CAM SHAFT COMP.	1	
002	101-33160-22	CAM ROD	2	
003	075-32280-20	CAM-ROD GUIDE PLATE	2	
004	122-32286-21	CUTTER GUIDE 625.5MM	1	
005	120-32287-21	CUTTER A	2	
006	124-32287-20	FIXING BOLT A M6	1	
007	129-33202-20	WASHER 7 BLACK	4	
008	991-82060-001	FLANGE NUT 6	3	
009	990-52060-165	HEX HOLE FLUSH SCREW	1	
010	085-32286-20	GREASE SEAL A	2	
011	105-32280-20	CAM-ROD HOLDING PLATE	1	
012	328-32280-22	GEAR CASE COVER B	1	
013	999-61608-013	BALL BEARING 608 ZZ C3	1	
014	994-61040-104	HEX. HOLE BOLT 4X10S	2	
015	994-61040-124	HEX. HOLE BOLT 4X12S	6	
016	138-33168-20	CUTTER COVER	1	
020	125-32287-20	CUTTER FIXING BOLT B	3	
021	990-52060-255	HEX. HOLE FLUSH BOLT 6X	1	
022	087-32286-20	GREASE SEAL B	1	
023	296-32286-20	SPACER	1	
024	136-32286-20	PROTECTION PLATE	1	
025	991-87060-001	NUT 6 UPS-P	1	
026	992-01060-011	WASHER 6	1	
029	036-29331-50	COMBI. BOX SPANNER 10X	1	
030	813-20000-20	HEX. WRENCH 4	1	

**H45-11 CH55EPC(SM) LABELS**

REF. NUMBER	PARTS NUMBER	DESCRIPTION	Q'TY	SERIAL NUMBER
001	929-53601-21	SYMBOL MARK CH55EPC(S	1	
005	915-07366-21	STARER MARK S·START	1	
010	907-32243-20	CAUTION MARK	1	
025	919-73800-20	CAUTION MARK HITACHI	1	