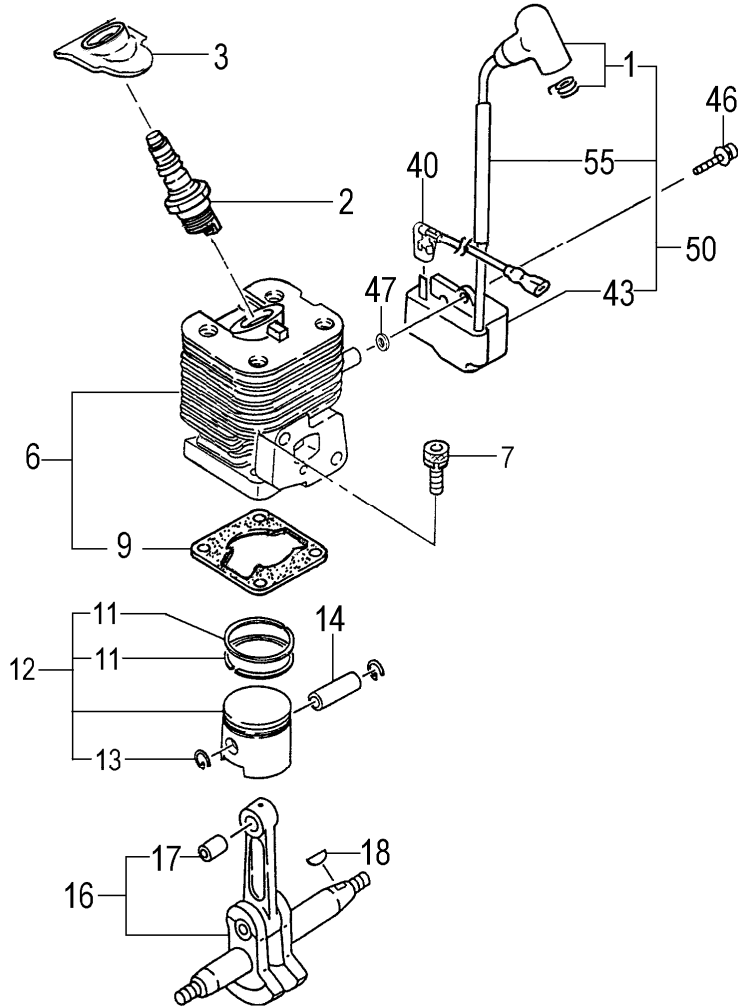


H28

CH78ED(CP)

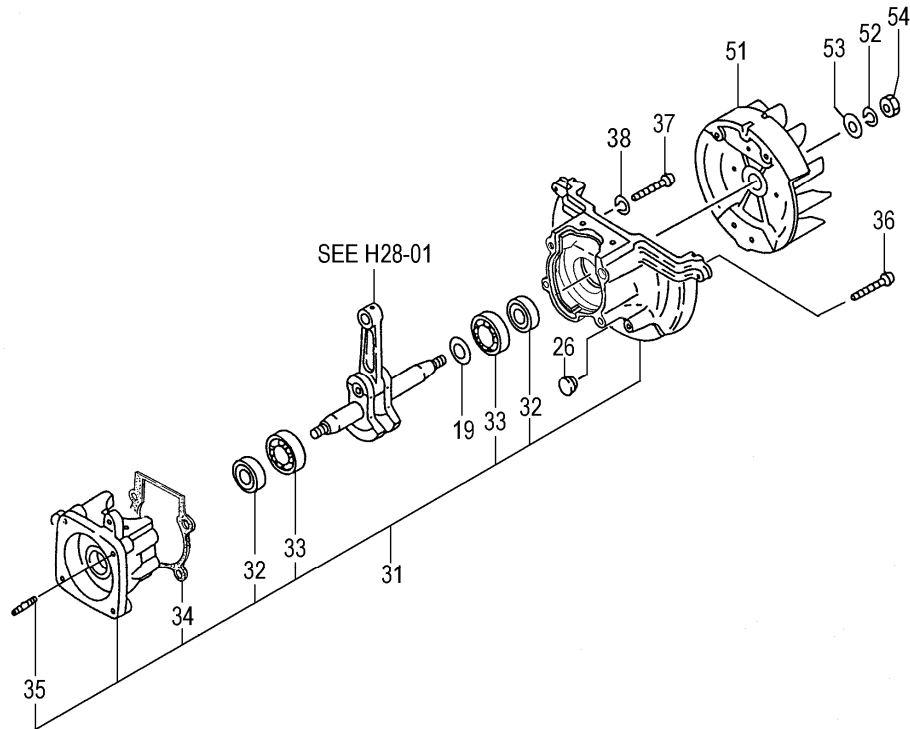
Serial No.

H28-01
CH78ED(CP) CYLINDER/PISTON/CRANK SHAFT


REF. NUMBER	PARTS NUMBER	DESCRIPTION	Q'TY	SERIAL NUMBER
001	157-01680-90	PLUG CAP ASS'Y	1	
002	018-00555-20	SPARK PLUG, RCJ8Y	1	
003	255-01680-20	SPARK PLUG RUBBER COV	1	
006	001-03002-90	CYLINDER SET	1	
007	994-61050-184	HEX. HOLE BOLT 5X18/S	4	
009	017-03002-21	CYLINDER GASKET	1	
011	041-01601-20	PISTON RING	2	
012	030-01680-90	PISTON SET	1	
013	039-00000-20	PISTON PIN CIRCLIP	2	
014	037-01700-20	PISTON PIN	1	
016	046-03002-80	CRANK SHAFT COMP.	1	
017	999-62091-325	NEEDLE BRG F-910 1.4X8.5	1	
018	068-10100-20	WOOD-RUFF KEY 3X13X4.5	1	
040	178-03002-80	CORD, B 140M	1	
043	167-21743-80	IGNITION COIL COMP.	1	
046	994-64040-184	HEX. HOLE BOLT 4X18WS	2	
047	182-0186A-20	WASHER	2	
050	167-21743-90	IGNITION COIL ASS'Y	1	
055	250-01680-20	INSULATOR TUBE	1	

H28-02

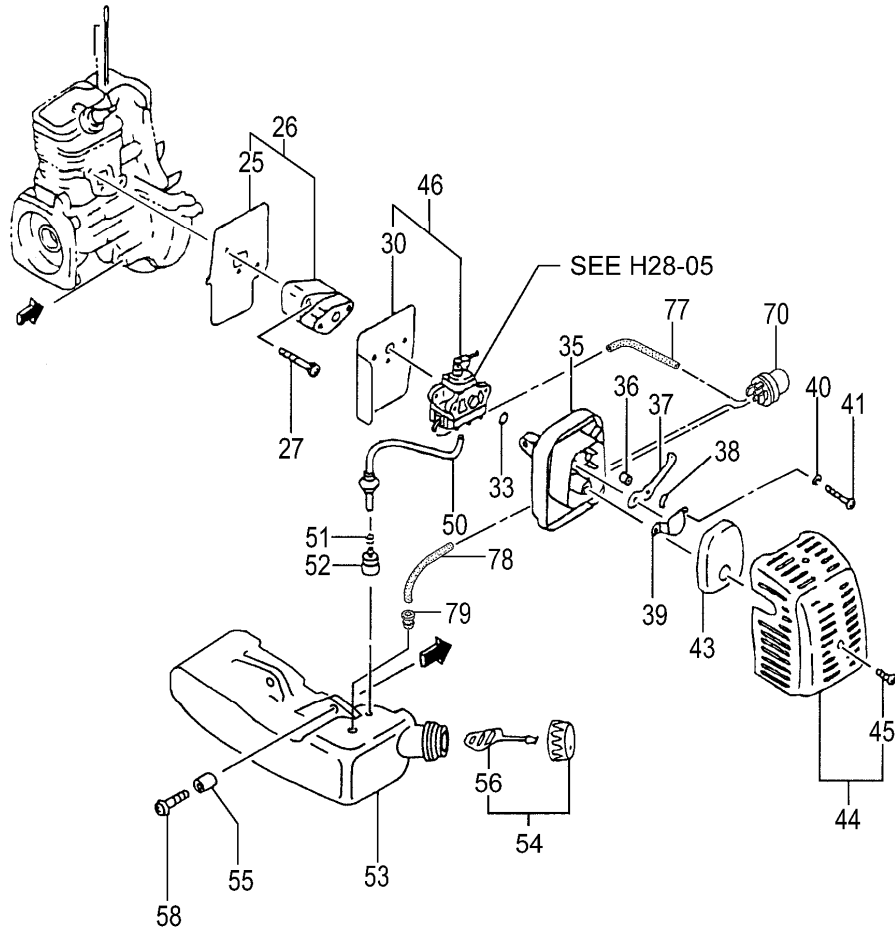
CH78ED(CP) CRANK CASE



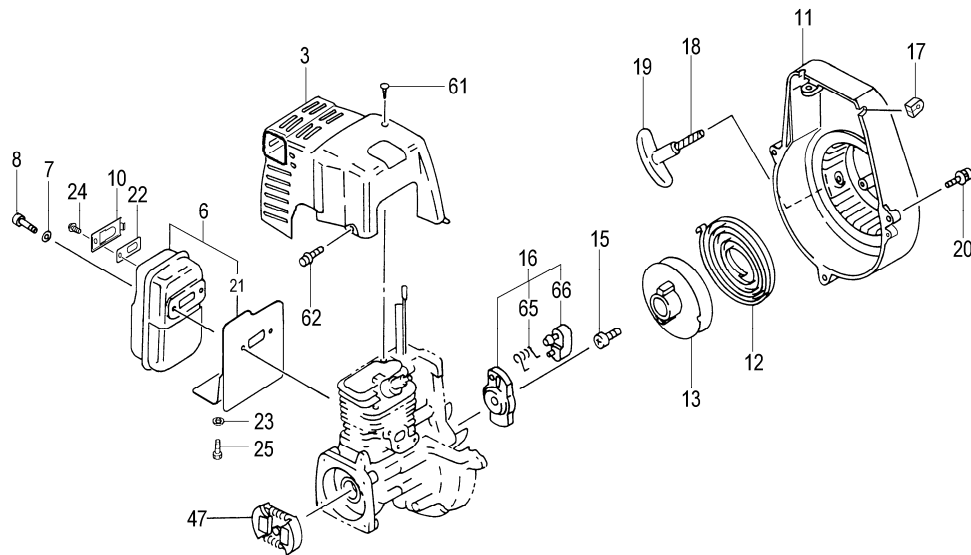
REF. NUMBER	PARTS NUMBER	DESCRIPTION	Q'TY	SERIAL NUMBER
019	330-00200-23	GEAR SHAFT SHIM 0.20	V	
019	330-00200-24	GEAR SHAFT SHIM 0.30	V	
026	203-03002-20	GROMMET	1	
031	072-03002-90	CRANK CASE ASS'Y	1	
032	999-66122-200	OIL SEAL TB 12227	2	
033	999-61600-115	BALL BEARING 6001 C3	2	
034	090-03002-20	CRANK CASE GASKET	1	
035	100-02100-20	STUD BOLT 6X22	2	
036	994-61050-304	HEX. HOLE BOLT 5X30S	2	
037	990-51050-453	HEX. HOLE BOLT 5X45	2	
038	992-10050-062	S.WASHER 5	2	
051	155-21744-80	MAGNETO ROTOR COMP.	1	
052	992-10080-012	S.WASHER 8	1	
053	992-01080-011	WASHER 8	1	
054	991-01080-011	HEX. NUT 8	1	

H28-03

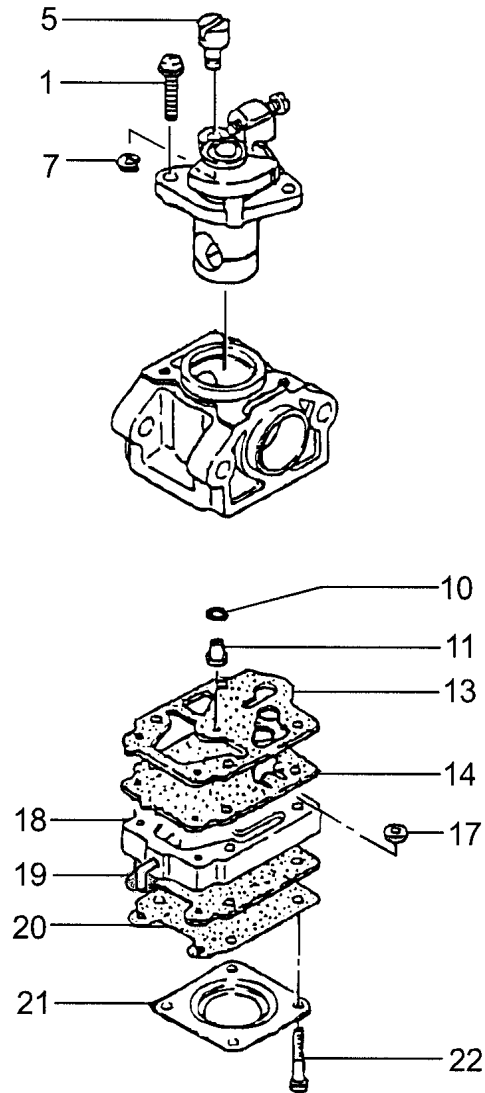
CH78ED(CP) ENGINE-1



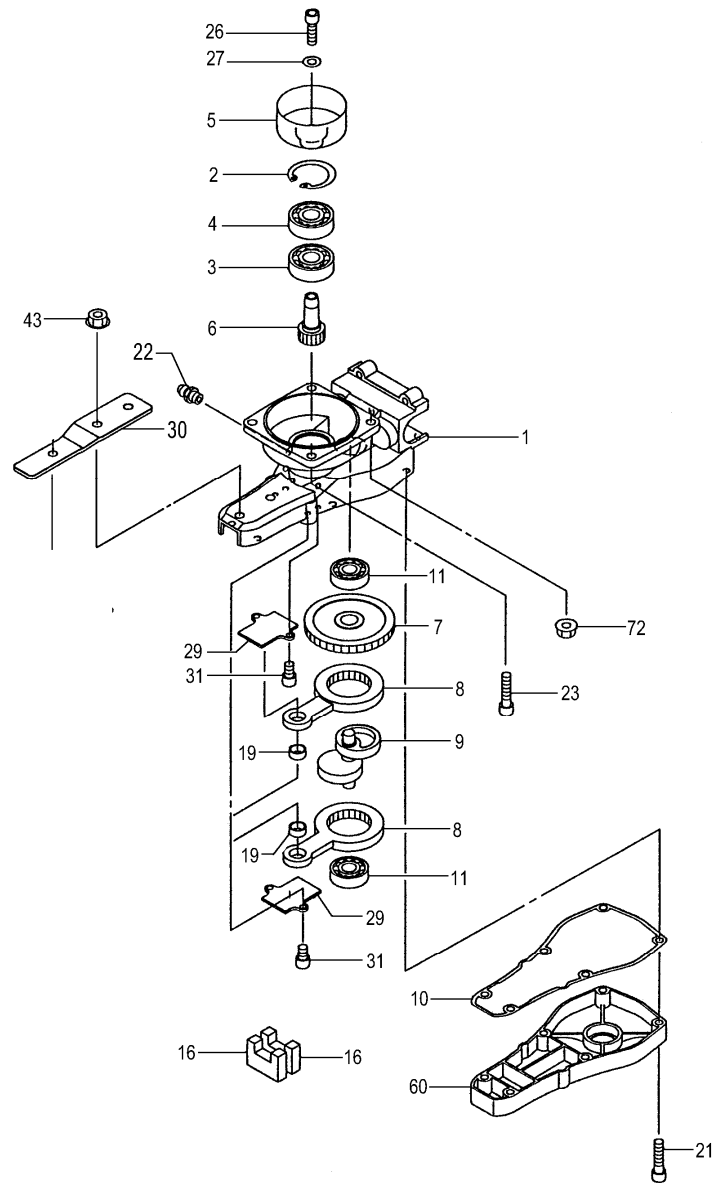
REF. NUMBER	PARTS NUMBER	DESCRIPTION	Q'TY	SERIAL NUMBER
025	403-03002-20	INTAKE MANIFOLD GASKE	1	
026	404-03002-91	INSULATOR SET, SPARE	1	
027	994-64050-254	HEX. HOLE BOLT 5X25WS	2	
030	402-03002-20	CARBURETOR GASKET	1	
033	999-67015-000	O-RING P-15	1	
035	423-06500-81	CLEANER BODY COMP.	1	
036	470-06500-20	COLLAR 7.5	2	
037	528-03002-20	CHOKE VALVE	1	
038	992-04080-031	WAVE WASHER 8	1	
039	476-01700-20	BLOW OVER CHECK BOAR	1	
040	992-10050-012	S.WASHER 5	2	
041	990-11050-602	SCREW 5X60	2	
043	446-06500-21	CLEANER SPONGE	1	
044	452-06500-91	CLEANER COVER ASS'Y	1	
045	380-0637C-20	SPECIAL SCREW	1	
046	455-03002-90	CARBURETOR SET WYL13	1	
050	223-07000-90	SHEILD TUBE	1	
051	680-00731-20	CLIP, 6.3 DIA.	1	
052	675-04042-80	PUMP FILTER BODY COMP	1	
053	591-03005-20	FUEL TANK	1	
054	595-01690-90	TANK CAP ASS'Y (BLACK)	1	
055	659-00801-20	COLLAR 5.8	2	
056	626-32550-20	TANK CAP CHAIN	1	
058	994-63050-185	HEX. HOLE BOLT 5X18PS	2	
070	442-25143-80	PRIMING PUMP COMP.	1	
077	700-02504-08	FUEL PIPE 2.5X4X80	1	
078	700-02504-07	FUEL PIPE 2.5X4X70	1	
079	534-32710-20	RETURN GROMMET	1	

H28-04**CH78ED(CP) ENGINE-2**

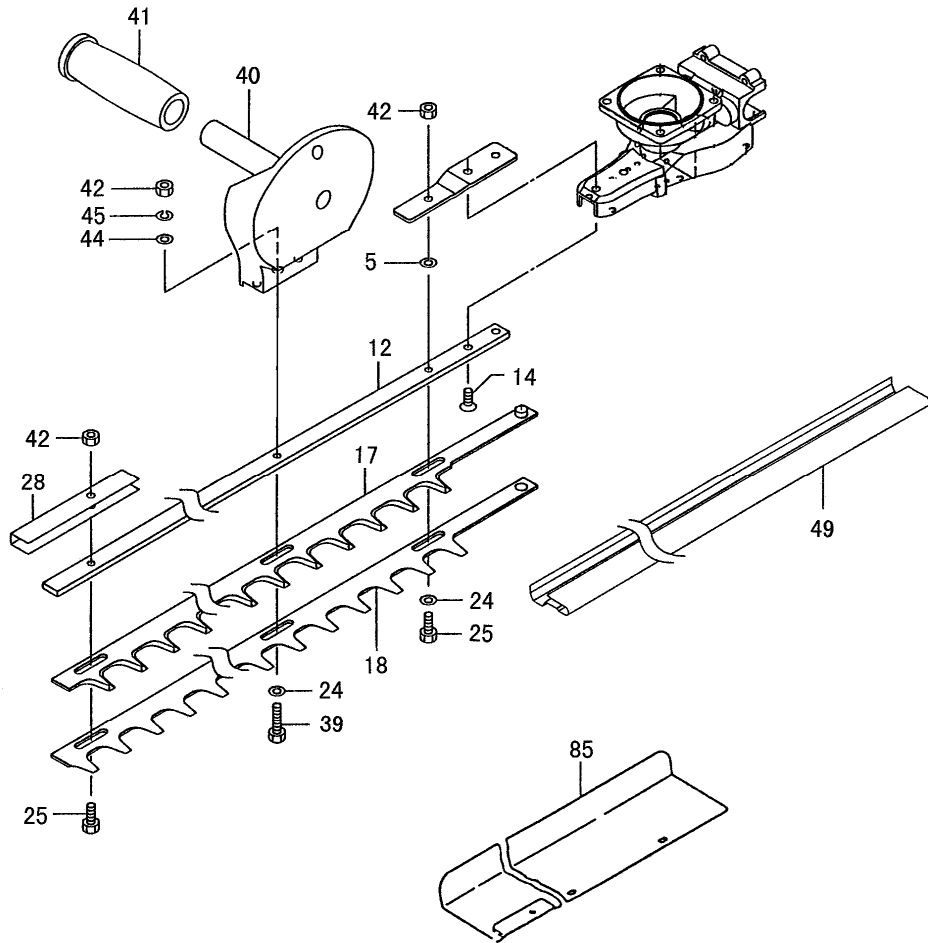
REF. NUMBER	PARTS NUMBER	DESCRIPTION	Q'TY	SERIAL NUMBER
003	738-03002-21	MUFFLER PROTECTOR	1	
006	704-03014-91	MUFFLER SET	1	
007	992-01060-011	WASHER 6	2	
008	990-53060-553	HEX. HOLE SCREW 6X55	2	
010	721-03003-20	TAIL PIPE	1	
011	112-03002-80	FAN CASE COMP.	1	
012	780-06097-20	RECOIL SPRING	1	
013	774-06097-20	STARTER ROPE REEL	1	
015	839-02010-20	SET SCREW	1	
016	798-06500-90	STARTER PULLEY ASS'Y	1	
017	203-06000-20	PRIMARY CORD GROMMET	1	
018	783-06097-20	STARTER ROPE	1	
019	785-06410-20	STARTER HANDLE	1	
020	994-63040-154	HEX.HOLE BOLT 4X15/PS	3	
021	735-03002-81	MUFFLER COVER A COMP.	1	
022	732-04400-20	MUFFLER ARRESTOR	1	
023	992-01050-011	WASHER 5	1	
024	994-35040-081	SCREW 4X8PS	1	
025	994-14050-081	SCREW 5X8/S	1	
047	277-0634F-91	CLUTCH ASS'Y	1	
061	990-73045-104	TAPPING SCREW 4.5X10	1	
062	994-25040-128	BOLT 4X12PS	1	
065	790-06097-20	STARTER PAWL SPRING	1	
066	788-06500-20	STARTER PAWL	1	

H28-05**CH78ED(CP) CARBURETOR**

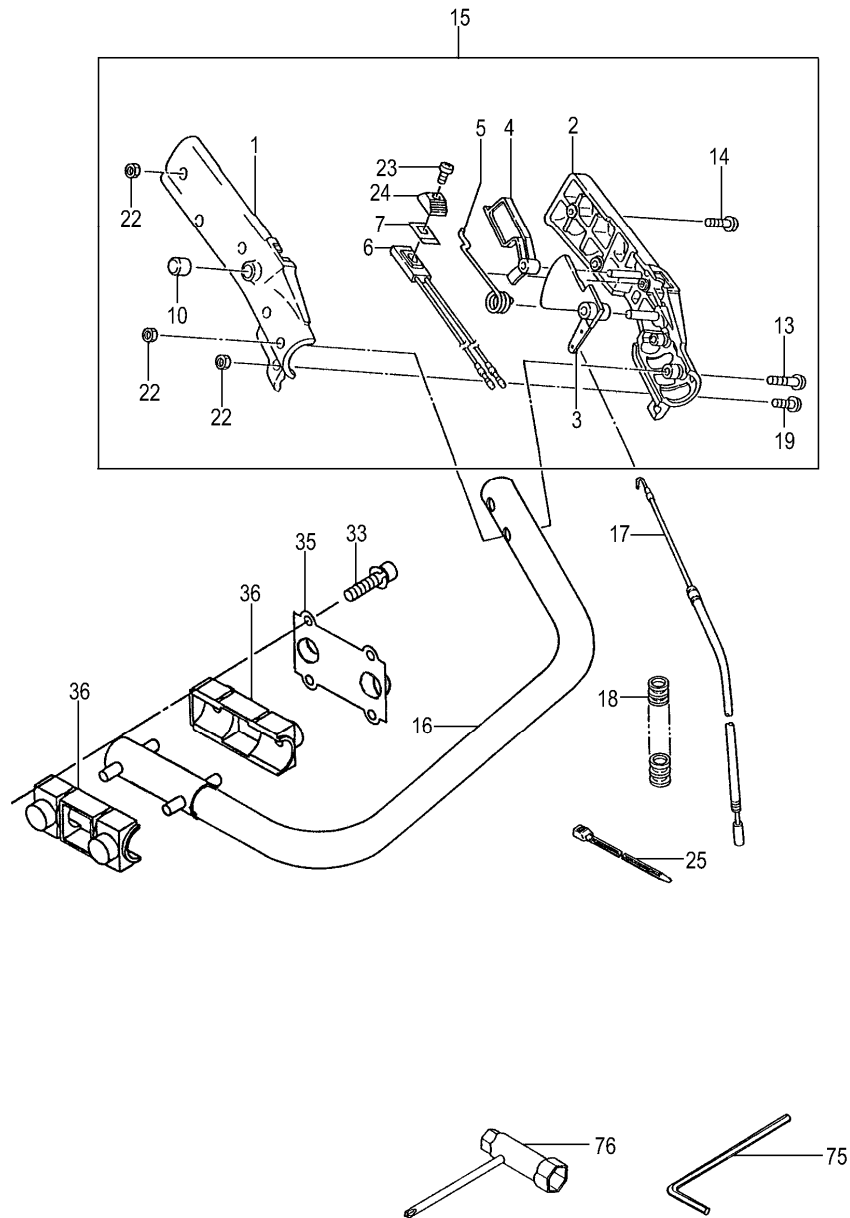
REF. NUMBER	PARTS NUMBER	DESCRIPTION	Q'TY	SERIAL NUMBER
001	548-25140-20	THROTTLE SET SCREW	2	
005	539-25120-20	SWIVEL	1	
007	489-25100-20	STOP RING	1	
010	550-25100-20	O-RING	1	
011	599-2001W-35	MAIN JET #35	1	
013	577-25100-20	PUMP GASKET	1	
014	576-25100-20	PUMP DIAPHRAGM	1	
017	578-25007-20	INLET SCREEN	1	
018	575-25225-80	PUMP BODY COMP.	1	
019	475-25038-20	DIAPHRAGM GASKET	1	
020	474-25241-80	METERING DIAPHRAGM CO	1	
021	476-25004-20	DIAPHRAGM COVER	1	
022	548-25101-20	SET SCREW	4	

H28-06**CH78ED(CP) GEAR CASE**

REF. NUMBER	PARTS NUMBER	DESCRIPTION	Q'TY	SERIAL NUMBER
001	300-33185-20	GEAR CASE A	1	
002	993-51026-002	STOP RING C-26, INNER	1	
003	999-61600-000	BALL BEARING #6000, 26MM	1	
004	999-61600-002	BALL BEARING #6000Z, 26MM	1	
005	288-33185-80	CLUTCH HOUSING COMP.	1	
006	306-33280-20	GEAR 1	1	
007	307-33280-20	GEAR 2	1	
008	101-33185-80	CAM-ROD COMP.	2	
009	100-33185-20	CAM SHAFT	1	
010	303-33185-20	GEAR CASE GASKET	1	
011	999-61608-000	BALL BEARING #608, 22MM	2	
016	085-33185-20	GREASE SEAL A	2	
019	247-33185-20	COLLAR	2	
021	994-61050-254	HEX. HOLE BOLT 5X25/S	6	
022	300-32250-80	GREASE NIPPLE COMP.	1	
023	994-61060-184	HEX. HOLE BOLT 6X18/S	2	
026	990-53060-153	HEX HOLE BUTTON SCREW	1	
027	992-00060-011	SMALL WASHER 6	1	
029	070-33185-21	FIXING PLATE	2	
030	462-33185-20	SUPPORT PLATE	1	
031	990-51040-103	HEX. HOLE BOLT 4X10	4	
043	994-40060-011	SPRING NUT 6	2	
060	301-33185-20	GEAR CASE B	1	
072	994-40060-011	SPRING NUT 6	2	

H28-07**CH78ED(CP) BLADE**

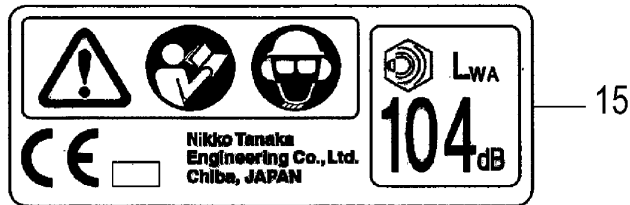
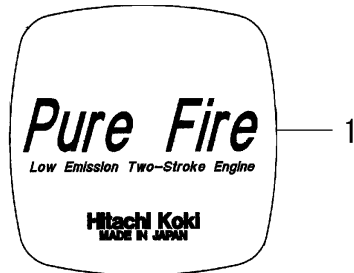
REF. NUMBER	PARTS NUMBER	DESCRIPTION	Q'TY	SERIAL NUMBER
012	122-33285-20	CUTTER GUIDE 830L M6	1	
014	990-52060-253	HEX. HOLE SCREW 6X25	2	
015	871-32600-20	SPECIAL WASHER B	1	
017	121-33187-21	CUTTER B (852L)	1	
018	120-33187-21	CUTTER A (852L)	1	
024	129-33202-20	WASHER 7 BLACK	4	
025	124-32287-20	FIXING BOLT A M6	4	
028	128-33202-20	BLADE HOLDER	1	
039	125-33285-20	FIXING BOLT B M6	1	
040	051-33185-81	HANDLE B COMP.	1	
041	165-37590-20	HANDLE GRIP	1	
042	991-82060-001	FLANGE NUT 6	5	
044	992-01060-011	WASHER 6	1	
045	992-10060-012	S.WASHER 6	1	
049	138-33215-20	CUTTER COVER, L-773	1	
085	350-33210-20	GATHERING PLATE, OBLO	1	

H28-08**CH78ED(CP) HANDLE**

REF. NUMBER	PARTS NUMBER	DESCRIPTION	Q'TY	SERIAL NUMBER
001	053-33231-22	HANDLE GRIP A	1	
002	054-33231-23	HANDLE GRIP B	1	
003	230-33210-20	THROTTLE LEVER	1	
004	231-33210-20	SAFETY LEVER	1	
005	061-32600-20	THROTTLE LEVER SPRING	1	
006	170-33189-80	STOP SWITCH COMP.	1	
007	925-32530-20	STOP BUTTOM MARK	1	
010	765-32120-20	CAP	1	
013	994-16040-301	SCREW 4X30/WS	2	
014	994-16040-251	SCREW 4X25/WS	1	
015	055-33189-90	HANDLE GRIP ASS'Y	1	
016	050-33185-80	HANDLE A COMP.	1	
017	885-03014-80	THROTTLE WIRE 270+49	1	
018	164-10015-00	PROTECTION TUBE 10X150	1	
019	994-16040-161	SCREW 4X16WS	3	
022	991-78040-010	NYLON LOCK NUT 4	6	
023	994-31030-101	SCREW 3X10	1	
024	258-11650-20	BUTTON STOP	1	
025	198-33130-20	CORD CLAMP	1	
033	994-61050-124	HEX. HOLE BOLT 5X12S	4	
035	058-33185-20	HANDLE BRACKET	1	
036	060-33185-20	HANDLE DUMPER RUBBER	2	
075	813-20000-20	HEX. WRENCH 4	1	
076	036-29331-50	COMBI. BOX SPANNER 10X	1	

H28-09

CH78ED(CP) LABELS



REF. NUMBER	PARTS NUMBER	DESCRIPTION	Q'TY	SERIAL NUMBER
001	929-52102-20	SYMBOL MARK CH78ED(CP)	1	
002	915-52101-20	STARTER MARK HITACHI	1	
015	919-06620-22	CAUTION MARK A	1	