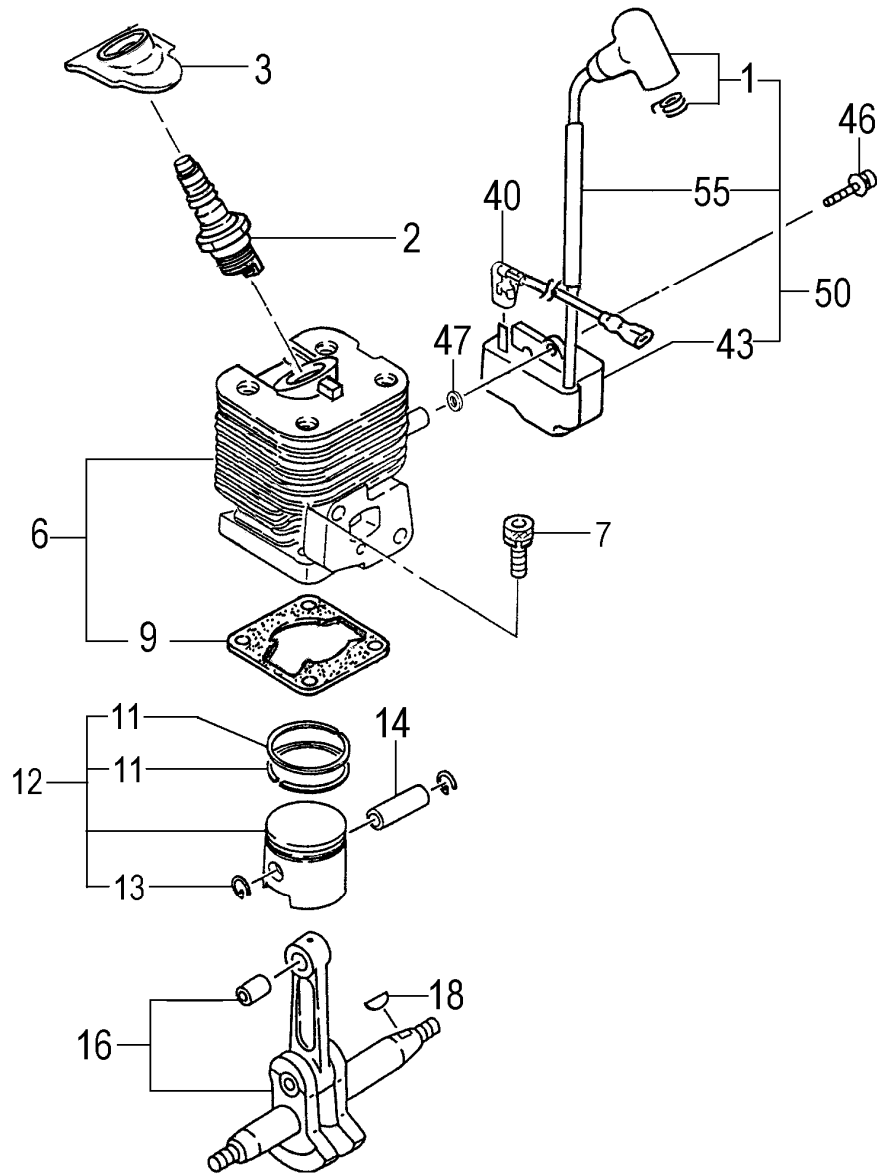


**H30-01**

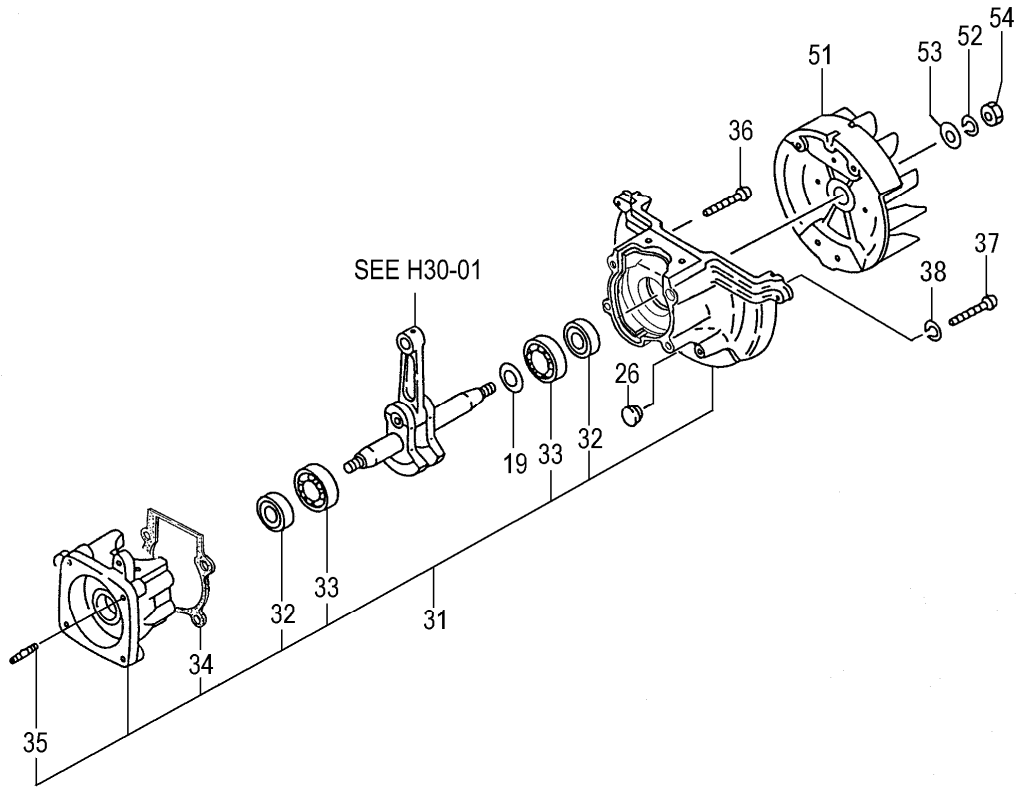
**CH78ED(TP) CYLINDER/PISTON/CRANK SFAHT**



REF. NUMBER	PARTS NUMBER	DESCRIPTION	Q'TY	SERIAL NUMBER
001	157-01680-90	PLUG CAP ASS'Y	1	
002	018-00555-20	SPARK PLUG, RCJ8Y	1	
003	255-01680-20	SPARK PLUG RUBBER COVER	1	
006	001-03002-90	CYLINDER SET	1	
007	994-61050-184	HEX. HOLE BOLT 5X18/S	4	
009	017-03002-21	CYLINDER GASKET	1	
011	041-01601-20	PISTON RING	2	
012	030-01680-90	PISTON SET	1	
013	039-00000-20	PISTON PIN CIRCLIP	2	
014	037-01700-20	PISTON PIN	1	
016	046-03002-80	CRANK SHAFT COMP.	1	
018	068-10100-20	WOOD-RUFF KEY 3X13X4.5	1	
040	178-03002-80	CORD, B 140M	1	
043	167-21743-80	IGNITION COIL COMP.	1	
046	994-64040-184	HEX. HOLE BOLT 4X18WS	2	
047	182-0186A-20	WASHER	2	
050	167-21743-90	IGNITION COIL ASS'Y	1	
055	250-01680-20	INSULATOR TUBE	1	

**H30-02**

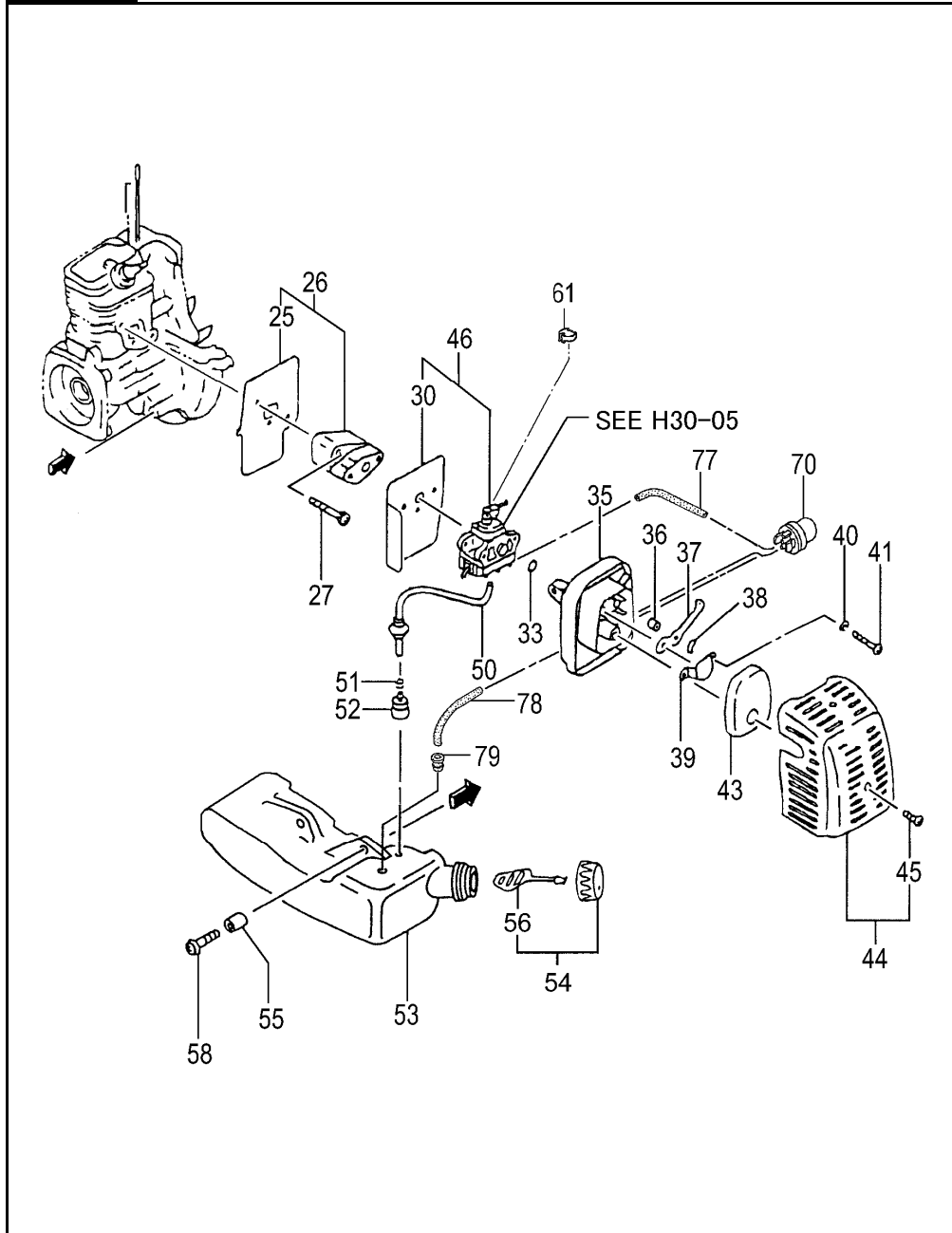
**CH78ED(TP) CRANK CASE**



REF. NUMBER	PARTS NUMBER	DESCRIPTION	Q'TY	SERIAL NUMBER
019	330-00200-23	GEAR SHAFT SHIM 0.20	V	
019	330-00200-24	GEAR SHAFT SHIM 0.30	V	
026	203-03002-20	GROMMET	1	
031	072-03002-90	CRANK CASE ASS'Y	1	
032	999-66122-200	OIL SEAL TB 12227	2	
033	999-61600-115	BALL BEARING 6001 C3	2	
034	090-03002-20	CRANK CASE GASKET	1	
035	100-02100-20	STUD BOLT 6X22	2	
036	994-61050-304	HEX. HOLE BOLT 5X30S	2	
037	990-51050-453	HEX. HOLE BOLT 5X45	2	
038	992-10050-062	S.WASHER 5	2	
051	155-21744-80	MAGNETO ROTOR COMP.	1	
052	992-10080-012	S.WASHER 8	1	
053	992-01080-011	WASHER 8	1	
054	991-01080-011	HEX. NUT 8	1	

**H30-03**

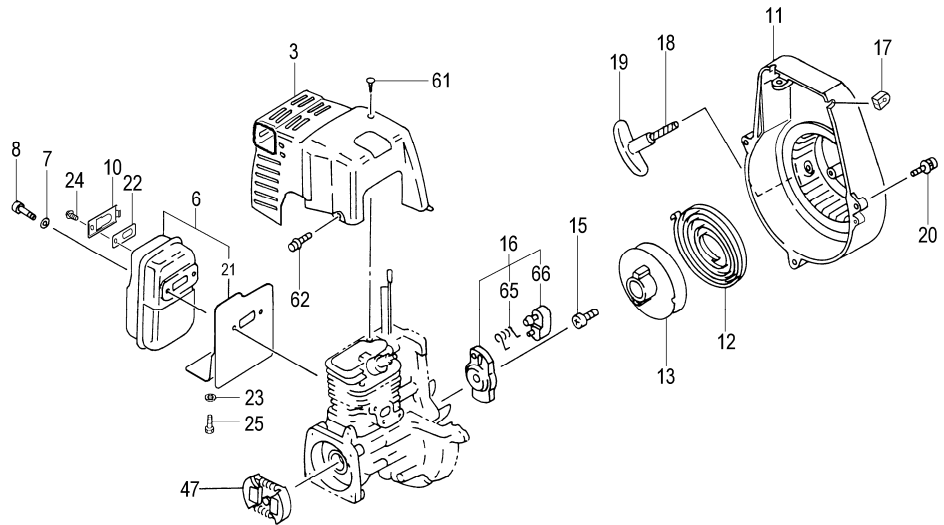
**CH78ED(TP) ENGINE-1**



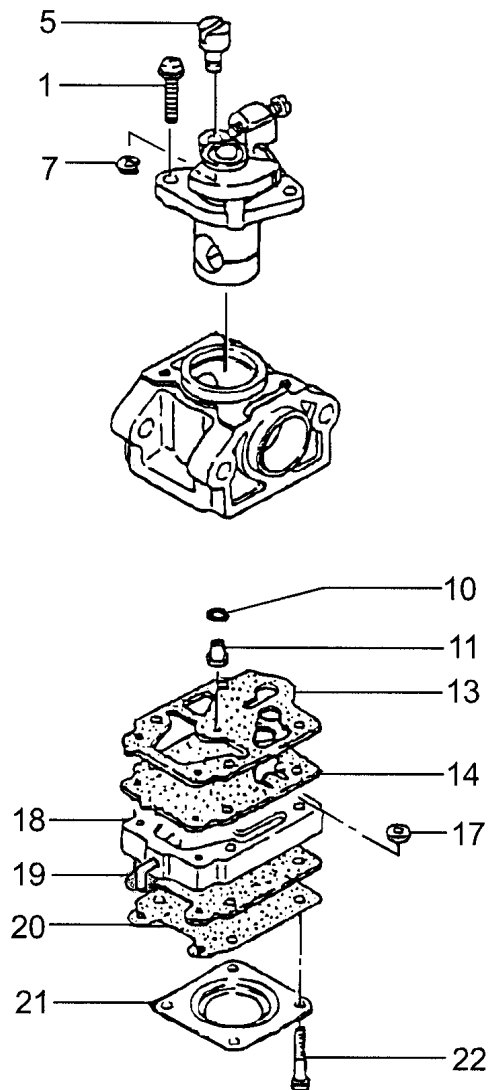
REF. NUMBER	PARTS NUMBER	DESCRIPTION	Q'TY	SERIAL NUMBER
025	403-03002-20	INTAKE MANIFOLD GASKET	1	
026	404-03002-91	INSULATOR SET, SPARE	1	
027	994-64050-254	HEX. HOLE BOLT 5X25WS	2	
030	402-03002-20	CARBURETOR GASKET	1	
033	999-67015-000	O-RING P-15	1	
035	423-06500-81	CLEANER BODY COMP.	1	
036	470-06500-20	COLLAR 7.5	2	
037	528-03002-20	CHOKE VALVE	1	
038	992-04080-031	WAVE WASHER 8	1	
039	476-01700-20	BLOW OVER CHECK BOARD	1	
040	992-10050-012	S.WASHER 5	2	
041	990-11050-602	SCREW 5X60	2	
043	446-06500-21	CLEANER SPONGE	1	
044	452-06500-91	CLEANER COVER ASS'Y	1	
045	380-0637C-20	SPECIAL SCREW	1	
046	455-03002-90	CARBURETOR SET WYL139A	1	
050	223-07000-90	SHEILD TUBE	1	
051	680-00731-20	CLIP, 6.3 DIA.	1	
052	675-04042-80	PUMP FILTER BODY COMP.	1	
053	591-03002-20	FUEL TANK	1	
054	595-01690-90	TANK CAP ASS'Y (BLACK)	1	
055	659-00801-20	COLLAR 5.8	2	
056	626-32550-20	TANK CAP CHAIN	1	
058	994-63050-185	HEX. HOLE BOLT 5X18PS	2	
061	560-07120-20	SWIVEL CAP	1	
070	442-25143-80	PRIMING PUMP COMP.	1	
077	700-02504-08	FUEL PIPE 2.5X4X80	1	
078	700-02504-07	FUEL PIPE 2.5X4X70	1	
079	534-32710-20	RETURN GROMMET	1	

**H30-04**

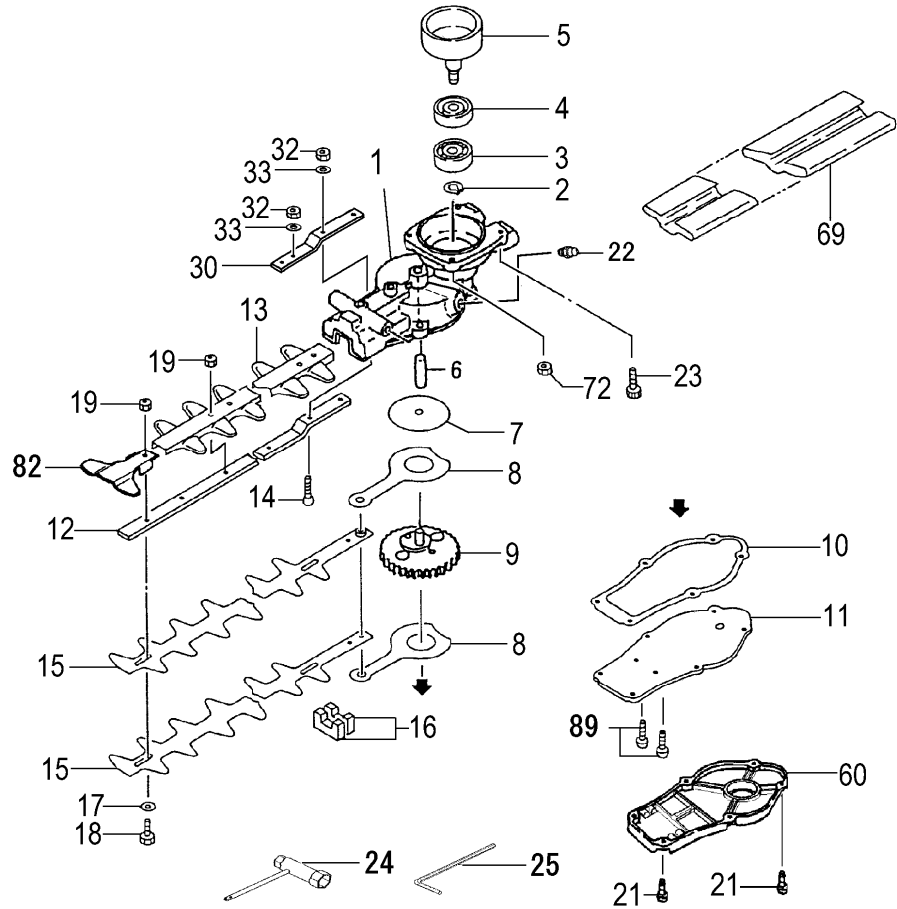
**CH78ED(TP) ENGINE-2**



REF. NUMBER	PARTS NUMBER	DESCRIPTION	Q'TY	SERIAL NUMBER
003	738-03002-21	MUFFLER PROTECTOR	1	
006	704-03014-91	MUFFLER SET	1	
007	992-01060-011	WASHER 6	2	
008	990-53060-553	HEX. HOLE SCREW 6X55	2	
010	721-03003-20	TAIL PIPE	1	
011	112-03002-80	FAN CASE COMP.	1	
012	780-06097-20	RECOIL SPRING	1	
013	774-06097-20	STARTER ROPE REEL	1	
015	839-02010-20	SET SCREW	1	
016	798-06500-90	STARTER PULLEY ASS'Y	1	
017	203-06000-20	PRIMARY CORD GROMMET	1	
018	783-06097-20	STARTER ROPE	1	
019	785-06410-20	STARTER HANDLE	1	
020	994-63040-154	HEX.HOLE BOLT 4X15/PS	3	
021	735-03002-81	MUFFLER COVER A COMP.	1	
022	732-04400-20	MUFFLER ARRESTOR	1	
023	992-01050-011	WASHER 5	1	
024	994-35040-081	SCREW 4X8PS	1	
025	994-14050-081	SCREW 5X8/S	1	
047	277-0634F-91	CLUTCH ASS'Y	1	
061	990-73045-104	TAPPING SCREW 4.5X10	1	
062	994-25040-128	BOLT 4X12PS	1	
065	790-06097-20	STARTER PAWL SPRING	1	
066	788-06500-20	STARTER PAWL	1	

**H30-05****CH78ED(TP) CARBURETOR**

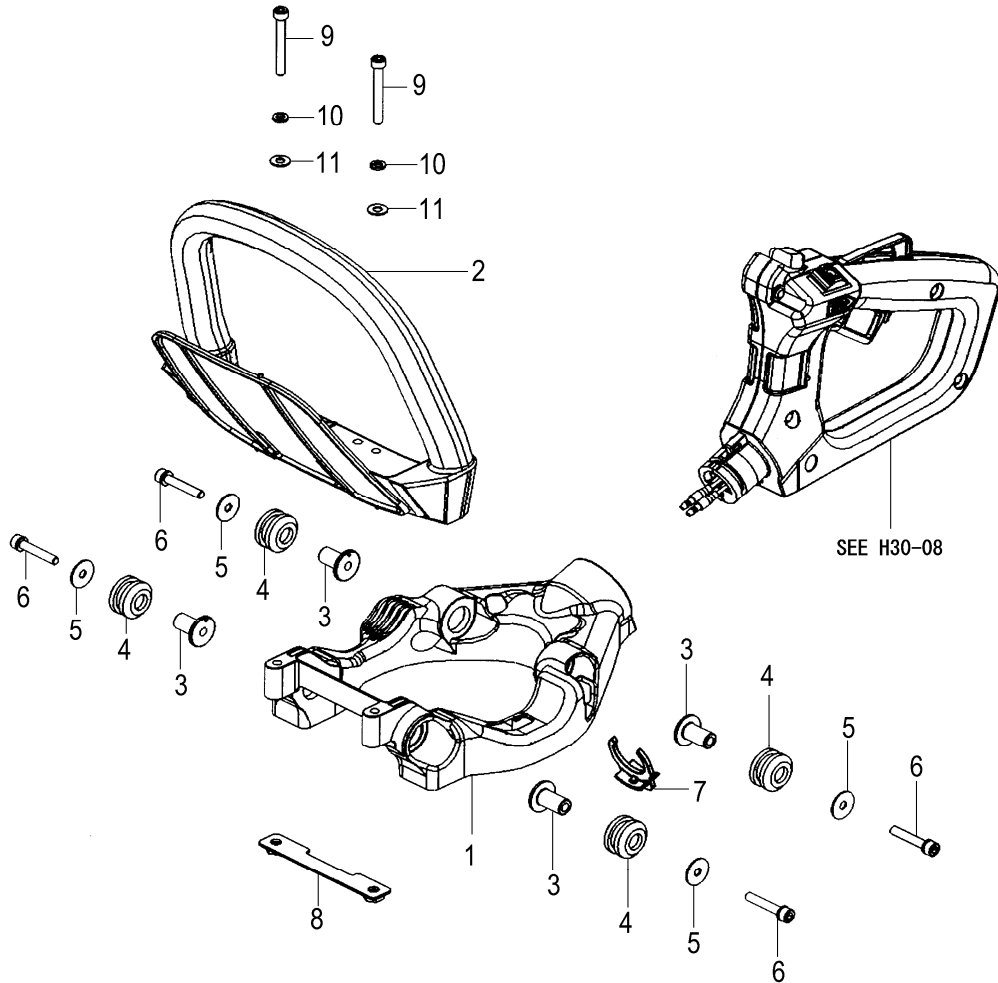
REF. NUMBER	PARTS NUMBER	DESCRIPTION	Q'TY	SERIAL NUMBER
001	548-25140-20	THROTTLE SET SCREW	2	
005	539-25120-20	SWIVEL	1	
007	489-25100-20	STOP RING	1	
010	550-25100-20	O-RING	1	
011	599-2001W-35	MAIN JET #35	1	
013	577-25100-20	PUMP GASKET	1	
014	576-25100-20	PUMP DIAPHRAGM	1	
017	578-25007-20	INLET SCREEN	1	
018	575-25225-80	PUMP BODY COMP.	1	
019	475-25038-20	DIAPHRAGM GASKET	1	
020	474-25241-80	METERING DIAPHRAGM COMP.	1	
021	476-25004-20	DIAPHRAGM COVER	1	
022	548-25101-20	SET SCREW	4	

**H30-06****CH78ED(TP) GEAR CASE/BLADE**

REF. NUMBER	PARTS NUMBER	DESCRIPTION	Q'TY	SERIAL NUMBER
001	300-33290-81	GEAR CASE COMP.	1	
002	993-50015-002	STOP RING C-15, OUTER	1	
003	999-61600-200	BALL BEARING #6002, 32MM/OD	1	
004	999-61600-202	BALL BEARING #6002Z, 32MM/OD	1	
005	288-33180-80	CLUTCH DRUM COMP.	1	
006	305-33194-20	GEAR SHAFT	1	
007	075-33160-20	GUIDE PLATE	1	
008	101-33190-20	CAM ROD	2	
009	307-33194-20	GEAR 2	1	
010	303-33160-20	GEAR CASE GASKET	1	
011	630-33165-20	GEAR CASE COVER	1	
012	122-33191-20	CUTTER GUIDE 845L M6	1	
013	136-33190-20	PROTECTION PLATE	1	
014	990-52060-255	HEX. HOLE FLUSH BOLT 6X25	2	
015	120-33190-21	CUTTER A	2	
016	085-33160-20	GREASE SEAL A	2	
017	129-33202-20	WASHER 7 BLACK	6	
018	124-32287-20	FIXING BOLT A M6	6	
019	991-82060-001	FLANGE NUT 6	5	
021	994-61040-124	HEX. HOLE BOLT 4X12S	6	
022	300-32250-80	GREASE NIPPLE COMP.	1	
023	994-61060-184	HEX. HOLE BOLT 6X18/S	2	
024	036-29331-50	COMBI. BOX SPANNER 10X19 ,PLUS	1	
025	813-20000-20	HEX. WRENCH 4	1	
030	462-33290-20	SUPPORT PLATE	1	
032	991-87060-001	NUT 6 UPS-P	3	
033	992-01060-011	WASHER 6	3	
060	301-33183-21	GEAR CASE B	1	
069	138-33190-20	BLADE COVER	1	
072	994-40060-011	SPRING NUT 6	2	
082	135-33191-20	GUARD PLATE	1	
089	994-61040-104	HEX. HOLE BOLT 4X10S	2	

**H30-07**

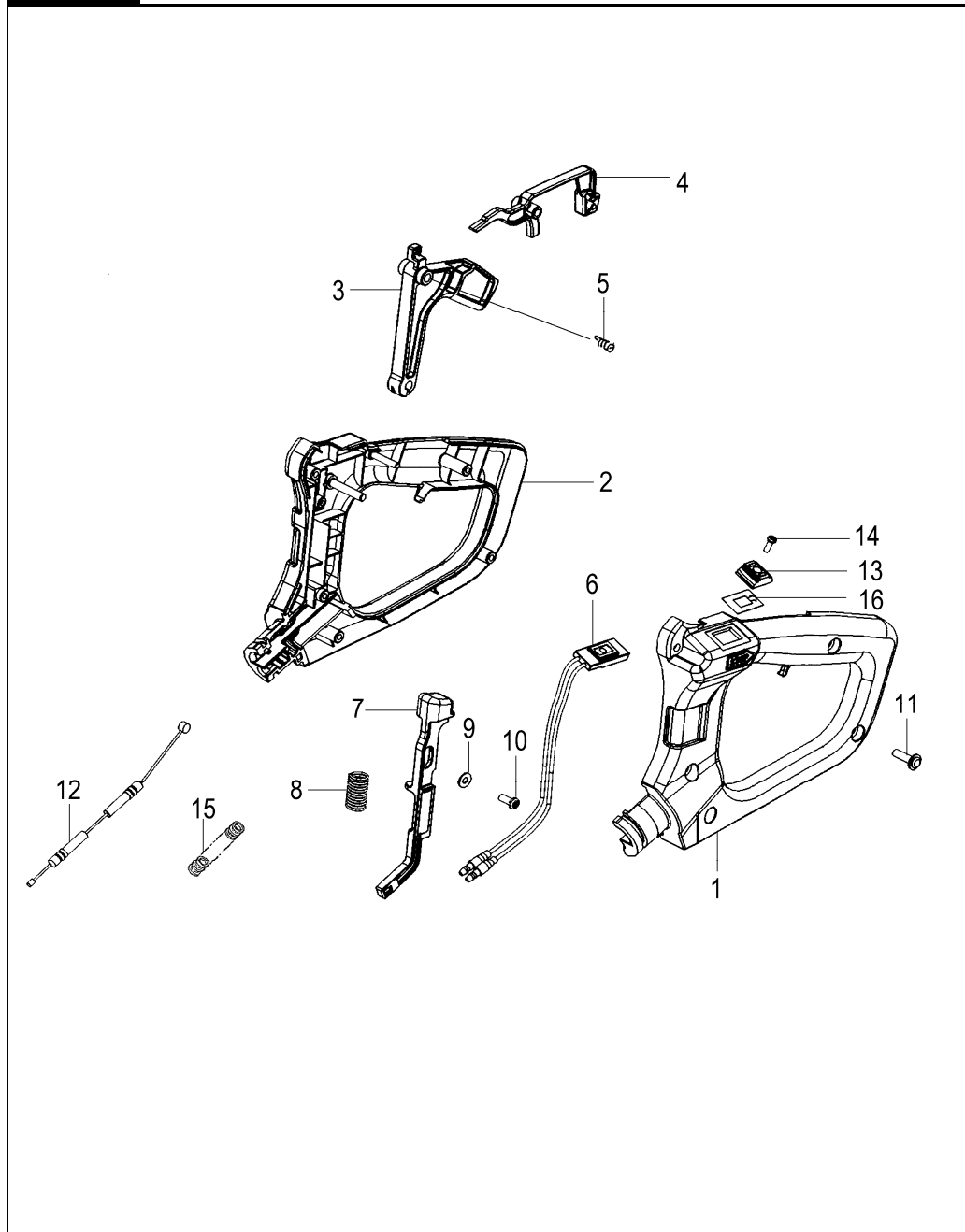
**CH78ED(TP) FRONT HANDLE**



REF. NUMBER	PARTS NUMBER	DESCRIPTION	Q'TY	SERIAL NUMBER
001	260-33290-20	FLAME	1	
002	210-33247-20	HANDLE	1	
003	276-32710-20	DAMPER COLLAR B	4	
004	266-32750-20	DAMPER B	4	
005	368-32057-20	BRAKE SHAFT WASHER	4	
006	994-61050-304	HEX. HOLE BOLT 5X30S	4	
007	505-33196-20	CLIP BLK	1	
008	040-33160-80	HANDLE SUPPORT COMP.	1	
009	990-51050-403	HEX. HOLE BOLT 5X40	2	
010	992-10050-062	S.WASHER 5	2	
011	992-01050-061	WASHER 5	2	

**H30-08**

**CH78ED(TP) REAR HANDLE**



REF. NUMBER	PARTS NUMBER	DESCRIPTION	Q'TY	SERIAL NUMBER
001	051-33290-20	HANDLE B	1	
002	050-33290-20	HANDLE A	1	
003	230-33290-20	THROTTLE LEVER	1	
004	231-33290-20	SAFETY LEVER	1	
005	232-33160-20	THROTTLE LEVER SPRING	1	
006	170-33247-80	STOP BUTTON COMP.	1	
007	233-33290-20	LOCK LEVER	1	
008	245-33290-20	SPRING	1	
009	992-01040-011	WASHER 4	1	
010	993-41040-101	SCREW 4X10	1	
011	990-72045-164	TAPPING SCREW 4.5X16	5	
012	885-33247-80	THROTTLE WIRE COMP.	1	
013	258-11650-20	BUTTON STOP	1	
014	994-31030-101	SCREW 3X10	1	
015	164-07015-01	PROTECTION TUBE 150L	1	
016	925-33160-20	STOP BUTTON MARK	1	



**H30-09**

**CH78ED(TP) LABELS**



REF. NUMBER	PARTS NUMBER	DESCRIPTION	Q'TY	SERIAL NUMBER
001	929-52101-20	NAME PLATE CH78ED(TP)	1	
015	919-06620-22	CAUTION MARK A	1	