

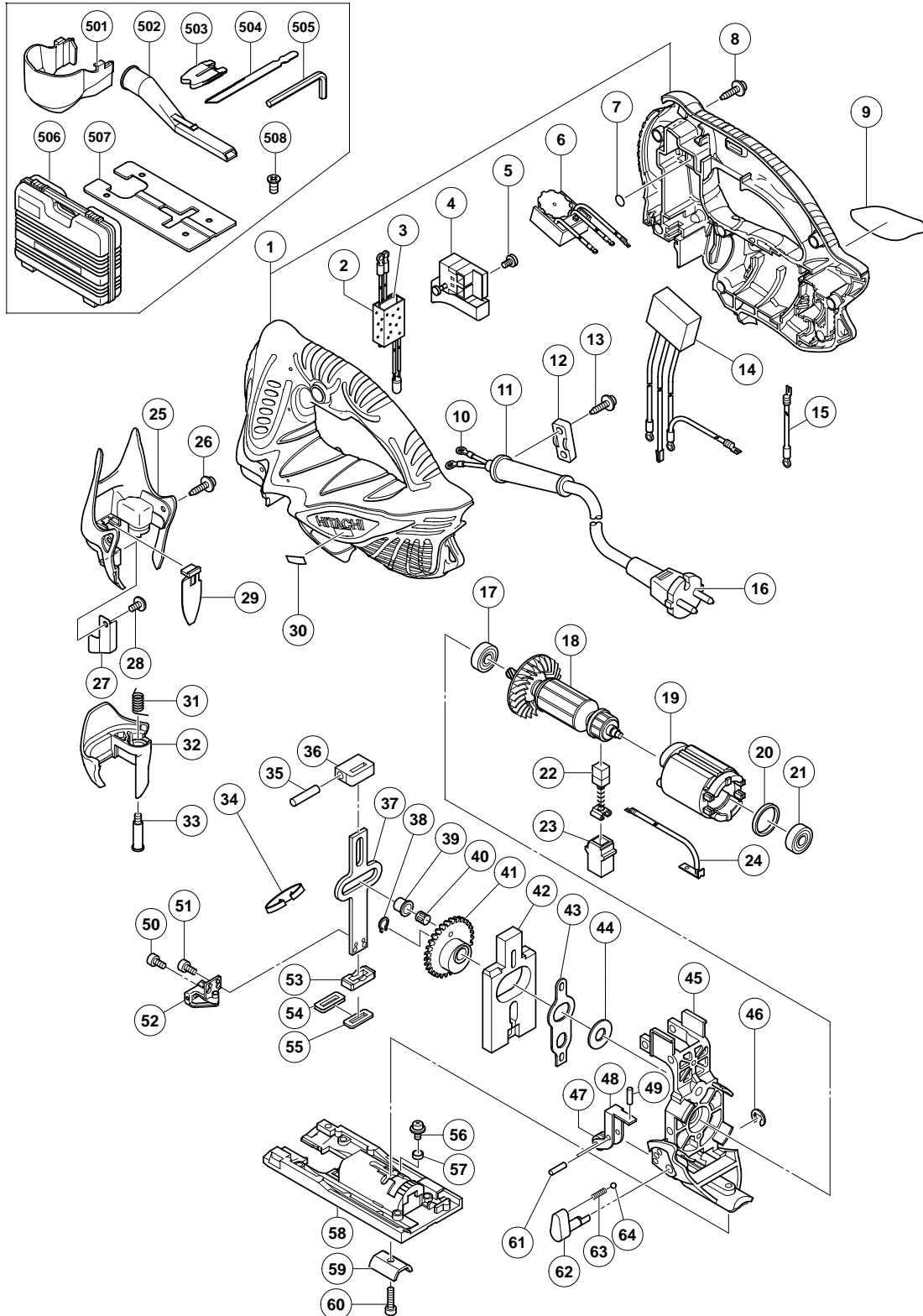
## ELECTRIC TOOL PARTS LIST

■ JIG SAW

2005 • 10 • 14

Model CJ 110MV

(E1)



## PARTS

CJ 110MV

ITEM NO.	CODE NO.	DESCRIPTION	NO. USED	REMARKS
1	325-097	HOUSING (A).(B) SET	1	
2	930-153	SUPPORT (B)	1	
* 3	325-091	PRINTED CIRCUIT BOARD (LED LIGHT)	1	
* 3	325-084	PRINTED CIRCUIT BOARD (LED LIGHT)	1	FOR TPE, GBR (110V), USA, CAN
4	325-085	SWITCH (E) (1P SCREW TYPE) W/LOCK	1	INCLUD. 5
5	305-499	MACHINE SCREW (W/WASHER) M3.5X6	4	
* 6	325-087	CONTROLLER 100V-110V	1	
* 6	325-093	CONTROLLER 120V	1	
* 6	325-094	CONTROLLER 220V-240V	1	
7	984-528	O-RING (P-6)	4	
8	301-653	TAPPING SCREW (W/FLANGE) D4X20 (BLACK)	7	
9		NAME PLATE	1	
10	980-063	TERMINAL	2	
* 11	953-327	CORD ARMOR D8.8	1	
* 11	938-051	CORD ARMOR D10.1	1	
12	937-631	CORD CLIP	1	
13	984-750	TAPPING SCREW (W/FLANGE) D4X16	2	
* 14	325-092	NOISE SUPPRESSOR	1	FOR TPE, NZL, AUS, GBR, SAF, EUROPE, FIN, NOR, SWE, DEN, AUT, SUI, CHN
* 15	325-095	INTERNAL WIRE (GRAY) 260L	1	FOR THA, INA, SYR, SIN, HKG, KUW, USA, CAN, IND
* 16	500-234Z	CORD	1	(CORD ARMOR D8.8)
* 16	500-447Z	CORD	1	(CORD ARMOR D8.8) FOR SYR, SUI
* 16	500-455Z	CORD	1	(CORD ARMOR D8.8) FOR THA, CHN
* 16	500-423Z	CORD	1	(CORD ARMOR D8.8) FOR SIN, KUW
* 16	500-247Z	CORD	1	(CORD ARMOR D8.8) FOR FIN, NOR, SWE, DEN
* 16	500-439Z	CORD	1	(CORD ARMOR D8.8) FOR NZL, AUS
* 16	500-240Z	CORD	1	(CORD ARMOR D8.8) FOR USA, CAN
* 16	500-450Z	CORD	1	(CORD ARMOR D8.8) FOR HKG, GBR (230V)
* 16	500-461Z	CORD	1	(CORD ARMOR D8.8) FOR GBR (110V)
* 16	323-974	CORD	1	(CORD ARMOR D10.1) FOR TPE
17	608-VVM	BALL BEARING 608VVC2PS2L	1	
* 18	360-741C	ARMATURE 110V	1	
* 18	360-741U	ARMATURE ASS'Y 120V	1	INCLUD. 17, 21
* 18	360-741E	ARMATURE 220V-230V	1	
* 18	360-741F	ARMATURE 240V	1	
* 19	340-545C	STATOR 110V-120V	1	
* 19	340-545D	STATOR 120V	1	FOR USA, CAN
* 19	340-545E	STATOR 220V-240V	1	
20	323-420	RUBBER RING	1	
21	608-VVM	BALL BEARING 608VVC2PS2L	1	
22	999-041	CARBON BRUSH (1 PAIR)	2	
23	955-203	BRUSH HOLDER	2	
24	325-088	INTERNAL WIRE (BLUE) 50L	2	
25	325-078	FRONT COVER	1	
26	325-083	TAPPING SCREW (W/FLANGE) D4X12 (BLACK)	2	
27	321-592	FENCE	1	
28	325-079	MACHINE SCREW (W/SP. WASHER) M4X8 (BLACK)	1	
29	325-082	LIGHT BAR	1	
30		MODEL NAME PLATE	1	
31	321-580	LEVER SPRING	1	



