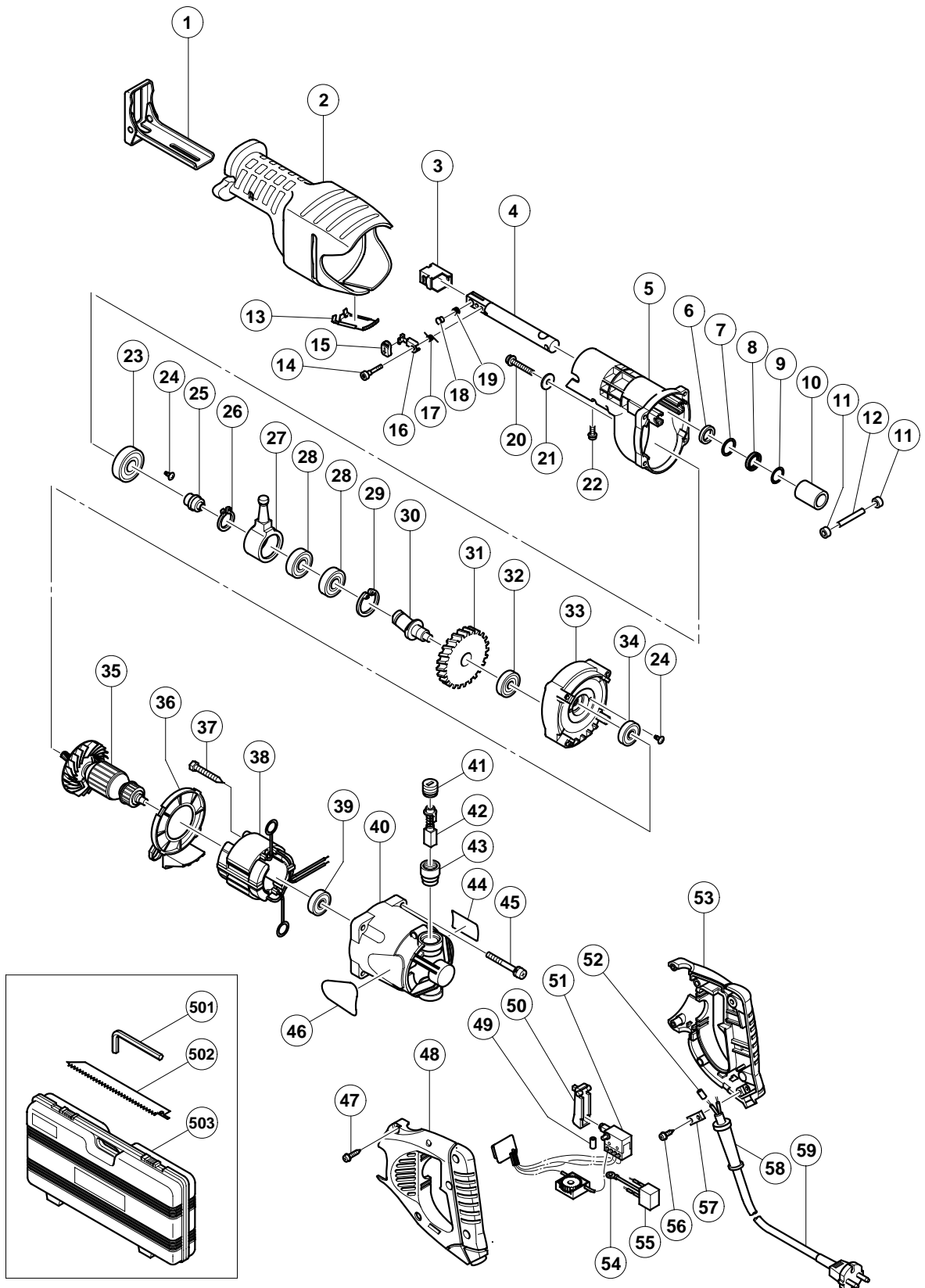


ELECTRIC TOOL PARTS LIST

■ RECIPROCATING SAW Model CR 13VC

2002 • 8 • 30
(E1)



PARTS

CR 13VC

ITEM NO.	CODE NO.	DESCRIPTION	NO. USED	REMARKS
1	321-116	BASE (B)	1	
2	321-125	FRONT COVER (C)	1	
3	321-132	BLADE HOLDER (A)	1	
4	321-120	PLUNGER (B)	1	
5	321-123	GEAR COVER (B)	1	
6	318-458	FELT WASHER	1	
7	321-117	WASHER (H)	1	
8	318-459	V-RING	1	
9	321-118	O-RING	1	
10	321-214	METAL (B)	1	
11	321-136	SWING ROLLER	2	
12	318-491	PIN D6	1	
13	321-126	COVER CLIP	1	
14	321-133	SPECIAL BOLT M4	1	
15	321-130	CAP	1	
16	321-131	LEVER (A)	1	
17	321-135	SPRING (D)	1	
18	321-134	HOLDER PIN (B)	1	
19	318-483	SPRING (B)	1	
20	318-451	NYLOCK BOLT (W/FLANGE) M6X35	1	
21	318-452	WASHER (G)	1	
22	996-399	HEX. SOCKET HD. BOLT (W/FLANGE) M5X12	1	
23	600-2DD	BALL BEARING 6002DDCMPS2L	1	
24	314-430	SLOTTED HD. SCREW (SEAL LOCK) M4X10	5	
25	321-129	SUB SHAFT (B)	1	
26	967-261	RETAINING RING FOR D17 SHAFT	1	
27	321-121	RECIPRO PLATE	1	
28	600-3VV	BALL BEARING 6003VVCMP2L	2	
29	939-556	RETAINING RING FOR D35 HOLE (10 PCS.)	1	
30	321-128	SECOND SHAFT (B)	1	
31	321-127	GEAR (B)	1	
32	608-VVM	BALL BEARING 608VVC2PS2L	1	
33	321-124	INNER COVER (B)	1	
34	600-1VV	BALL BEARING 6001VVCMP2L	1	
* 35	360-581C	ARMATURE 110V	1	
* 35	360-581U	ARMATURE ASS'Y 120V	1	INCLUD.34,39
* 35	360-581E	ARMATURE 220V-230V	1	
* 35	360-581F	ARMATURE 240V	1	
36	321-122	FAN GUIDE	1	
37	961-501	HEX. HD. TAPPING SCREW D5X60	2	
* 38	340-479H	STATOR ASS'Y 110V-115V	1	INCLUD.37
* 38	340-479G	STATOR ASS'Y 120V-127V	1	INCLUD.37
* 38	340-479E	STATOR ASS'Y 220V-230V	1	INCLUD.37
* 38	340-479K	STATOR ASS'Y 240V	1	INCLUD.37
* 38	340-479J	STATOR ASS'Y 220V-230V	1	INCLUD.37 FOR NZL,FIJ,GBR,EUROPE,NOR,SWE, DEN,FIN
39	608-VVM	BALL BEARING 608VVC2PS2L	1	
40	318-506	HOUSING (GREEN)	1	
41	945-161	BRUSH CAP	2	
42	999-043	CARBON BRUSH (1 PAIR)	2	
43	958-900	BRUSH HOLDER	2	

