

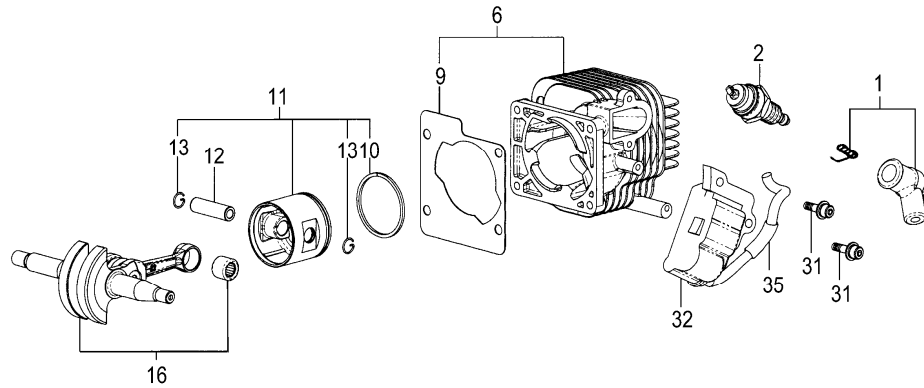
| MPREF | MPHIN | MPNAM | MPQ MI MPQTY3 | MP MPSRL2 |
|-------|---------------|-------------------------------|---------------|-----------|
| | | +++++++ MODEL:CS25ECS ++++++ | | |
| | | C24-01 CYLINDER/PISTON/CRANK | | |
| 001 | 157-01570-90 | SPARK PLUG CAP ASS'Y | 1 | |
| 002 | 018-00546-21 | SPARK PLUG BMR6A | 1 | |
| 006 | 001-01762-90 | CYLINDER SET | 1 | |
| 009 | 017-01761-20 | CYLINDER GASKET | 1 | |
| 010 | 041-01000-20 | PISTON RING | 1 | |
| 011 | 030-01760-90 | PISTON SET | 1 | |
| 012 | 037-07045-20 | PISTON PIN | 1 | |
| 013 | 039-00601-20 | PISTON PIN CIRCLIP | 2 | |
| 016 | 046-01761-80 | CRANK SHAFT COMP. | 1 | |
| 031 | 994-63040-154 | HEX. HOLE BOLT 4X15/PS | 2 | |
| 032 | 167-20557-80 | IGNITION COIL COMP. | 1 | |
| 035 | 755-32050-20 | CORD INSULATOR TUBE | 1 | |
| | | C24-02 CRANK CASE | | |
| 019 | 071-04063-23 | SHIM 0.2 | V | |
| 019 | 071-04063-24 | SHIM 0.3 | V | |
| 019 | 071-04063-25 | SHIM 0.4 | V | |
| 021 | 066-00000-20 | FLYWHEEL NUT 12 | 1 | |
| 023 | 992-01070-011 | WASHER 7 | 1 | |
| 024 | 155-20557-90 | MAGNETO ROTOR SET | 1 | |
| 026 | 788-01761-20 | STARTER PAWL | 2 | |
| 027 | 790-01740-20 | STARTER PAWL SPRING | 2 | |
| 028 | 993-55040-001 | STOP RING | 2 | |
| 030 | 700-52545-17 | FUEL PIPE 2.5X4.5X175 | 1 | |
| 031 | 680-00102-20 | CLIP 4.5 | 1 | |
| 035 | 250-06500-20 | INSULATOR TUBE, 50L | 1 | |
| 036 | 990-51050-163 | HEX. HOLE BOLT 5X16 | 4 | |
| 037 | 992-00050-061 | SMALL WASHER 5 | 4 | |
| 041 | 072-01761-91 | CRANK CASE ASS'Y | 1 | |
| 042 | 999-66122-200 | OIL SEAL TB 12227 | 2 | |
| 043 | 090-01761-20 | CRANK CASE GASKET | 1 | |
| 044 | 999-61600-115 | BALL BEARING 6001 C3 | 2 | |
| 046 | 999-05250-980 | NEEDLE ROLLER 2.5X9.8 | 2 | |
| 050 | 994-64050-224 | HEX. HOLE BOLT 5X22/WS | 4 | |
| | | C24-03 INLETMANIFOLD/CARBURET | | |
| 040 | 145-01761-90 | AIR DEFLECTOR ASS'Y | 1 | |
| 042 | 581-72000-20 | PIPE HOLDING GROMMET | 1 | |
| 045 | 403-01761-20 | INLETMANIFOLD GASKET | 1 | |
| 049 | 400-72000-20 | INLETMANIFOLD SPACER | 1 | |
| 050 | 391-01761-80 | INLETMANIFOLD COMP. | 1 | |
| 058 | 406-01761-20 | CARB. FIXING PLATE | 1 | |
| 060 | 470-72001-20 | DUST COVER | 1 | |
| 061 | 707-32550-20 | CHOKE RUBBER | 1 | |
| 062 | 704-72000-80 | CHOKE BUTTOM COMP. | 1 | |
| 063 | 457-72000-20 | CARUB. SUPPORT PLATE | 1 | |
| 064 | 190-72011-21 | ADJUSTER CAP | 1 | |
| 065 | 191-72000-20 | IDLE GROMMET | 1 | |
| 066 | 991-74050-010 | U-NUT 5 | 2 | |
| 070 | 994-61040-104 | HEX. HOLE BOLT 4X10S | 2 | |
| 072 | 992-01050-011 | WASHER 5 | 2 | |
| 073 | 990-11050-451 | SCREW 5X45 | 2 | |
| | | C24-04 FUEL LINE/OIL FILTER | | |
| 001 | 223-06500-90 | FUEL PIPE ASS'Y L=130 | 1 | |
| 002 | 680-00070-20 | CLIP | 2 | |

| | | | |
|-----|---------------|---------------------------|-----|
| 003 | 992-01050-011 | WASHER 5 | 1 |
| 004 | 487-32712-20 | OIL FILTER | 1 |
| 005 | 486-32710-90 | OIL FILTER BODY ASS'Y | 1 |
| 008 | 512-11600-20 | PROTECTION COIL | 1 |
| 010 | 638-72000-20 | PUMP FIXING PLATE | 1 |
| 011 | 442-25143-80 | PRIMING PUMP COMP. | 1 |
| 012 | 700-52545-26 | FUEL PIPE | 1 |
| 013 | 700-02504-14 | FUIL PIPE 2.5X4.5X140 | 1 |
| 016 | 701-72000-20 | FUEL GROMMET | 1 |
| 017 | 675-11600-90 | PUMP FILTER BODY ASS'Y | 1 |
| 020 | 534-72000-20 | RETURN GROMMET | 1 |
| 030 | 162-01761-80 | STOP SWITCH COMP. | 1 |
| 035 | 635-72001-90 | TANK CAP ASS'Y | 1 |
| 037 | 630-3252K-20 | TANK CAP GASKET | 1 |
| 050 | 990-54050-155 | FLANGE HEX HOLE BOLT 5X15 | 4 |
| 051 | 560-72010-90 | ENGINE CASE ASS'Y | 1 |
| 052 | 562-04060-20 | AIR VENT VALVE B | 1 |
| 054 | 629-01761-90 | AIR VENT ASS'Y | 1 |
| 055 | 563-72000-20 | ENGINE CASE COVER | 1 |
| 060 | 642-3252K-90 | OIL TANK CAP ASS'Y | 1 |
| 062 | 523-3252K-20 | OIL TANK CAP GASKET | 1 |
| | | C24-05 RECOIL STARTER | |
| 000 | 756-01761-90 | RECOIL STARTER ASS'Y | 1 |
| 001 | 839-03045-20 | SET SCREW | 1 |
| 002 | 758-01761-20 | DUMPER SPRING | 1 |
| 003 | 774-01761-20 | STARTER PULLY | 1 |
| 004 | 783-01761-20 | ROPE | 1 |
| 005 | 778-01761-90 | RECOIL SPRING CASE ASS'Y | 1 |
| 007 | 785-01761-20 | STARTER HANDLE | 1 |
| 009 | 112-01761-80 | FAN CASE COMP. | 1 |
| 010 | 990-72045-204 | TAPPING SCREW 4.5X20 | 4 |
| 014 | 759-01761-20 | CAM PLATE | 1 |
| 015 | 795-04063-20 | ROPE STOPPER | 1 |
| 016 | 420-01761-20 | CLEANER ELEMENT | 1 |
| 017 | 051-72000-20 | CLEANER COVER | 1 |
| 018 | 175-72000-20 | CLEANER KNOB | 1 |
| | | C24-06 CARBURETOR | |
| 000 | 455-25329-90 | CARBURETOR ASS'Y WT-797A | 1 |
| 002 | 578-25007-20 | INLET SCREEN | 1 |
| 003 | 575-25329-80 | PUMP COVER | 1 |
| 004 | 514-25001-20 | SET SCREW | 1 |
| 005 | 577-25007-20 | PUMP GASKET | 1 |
| 006 | 576-25006-20 | PUMP DIAPHRAGM | 1 |
| 009 | 473-25001-20 | VALVE HINGE | 1 |
| 010 | 546-25001-20 | HINGE PIN SET SCREW | 1 |
| 011 | 477-25088-20 | VALVE SPRING | 1 |
| 012 | 605-25001-20 | HINGE PIN | 1 |
| 013 | 476-25004-20 | DIAPHRAGM COVER | 1 |
| 014 | 474-25001-80 | METERING DIAPHRAGM COMP. | # 1 |
| 015 | 475-25038-20 | DIAPHRAGM GASKET | 1 |
| 016 | 603-25012-20 | NEEDLE VALVE | # 1 |
| 021 | 463-25012-20 | IDLE ADJUST SPRING | 1 |
| 022 | 462-25006-20 | IDLE ADJUST SCREW | 1 |
| 025 | 548-25012-20 | SET SCREW | 4 |
| | | C24-07 OIL PUMP/MUFFLER | |
| 010 | 990-75045-144 | TAPPING SCREW 4.5X14 | 3 |

| | | | |
|-----|---------------|---------------------------|---|
| 011 | 097-72000-20 | OIL PUMP COVER | 1 |
| 012 | 515-72000-20 | OIL PIPE A | 1 |
| 013 | 084-72000-20 | GEAR SHAFT | 1 |
| 014 | 567-01761-20 | AIR VENT SPONGE | 1 |
| 015 | 088-72000-90 | OIL PUMP CASE ASS'Y | 1 |
| 016 | 085-72000-80 | PUMP GEAR COMP. | 1 |
| 017 | 099-72000-20 | PUMP GEAR SPRING | 1 |
| 018 | 503-72000-20 | OIL PUMP ADJUSTER CAP | 1 |
| 019 | 088-72000-80 | OIL PUMP CASE COMP. | 1 |
| 020 | 502-72000-20 | ADJUSTER SPRING | 1 |
| 021 | 992-01040-011 | WASHER 4 | 1 |
| 025 | 501-72000-20 | OIL PUMP ADJUSTER | 1 |
| 026 | 990-11030-081 | SCREW 3X8 | 1 |
| 028 | 704-01761-90 | MUFFLER SET | 1 |
| 030 | 488-72000-20 | OIL ADJUST GROMMET | 1 |
| 031 | 994-14040-141 | SCREW 4X14/S | 2 |
| 033 | 737-01700-20 | MUFFLER GASKET | 1 |
| 036 | 990-51050-403 | HEX. HOLE BOLT 5X40 | 2 |
| 037 | 992-01050-011 | WASHER 5 | 2 |
| 038 | 700-07105-02 | VINYL PIPE 7X10.5X20 | 1 |
| 039 | 125-32710-20 | CHAIN CATCHER | 1 |
| 040 | 737-72010-20 | MUFFLER COVER | 1 |
| 042 | 990-75045-144 | TAPPING SCREW 4.5X14 | 2 |
| 043 | 990-72050-144 | TAPPING SCREW 5X14 | 1 |
| 045 | 461-72000-20 | GUIDE PLATE A | 1 |
| 046 | 993-41040-101 | SCREW 4X10 | 1 |
| | | C24-08 CLUTCH/CHAIN BRAKE | |
| 002 | 121-32530-20 | CHAIN BAR CLAMP NUT | 1 |
| 004 | 287-01761-90 | CLUTCH COMP. | 1 |
| 005 | 999-62101-301 | NEEDLE BRG 101310 1.5X7.5 | 1 |
| 006 | 310-72000-80 | CLUTCH HOUSING COMP. | 1 |
| 007 | 358-01761-20 | CLUTCH WASHER | 1 |
| 008 | 359-01761-20 | CLUTCH WASHER | 1 |
| 021 | 345-01761-20 | CLUTCH SHOE | 3 |
| 023 | 342-01761-20 | CLUTCH SPRING | 3 |
| 031 | 993-41040-101 | SCREW 4X10 | 2 |
| 032 | 462-72000-20 | GUIDE PLATE B | 1 |
| 033 | 116-72000-80 | TENTION ADJUST BOLT COMP. | 1 |
| 034 | 301-72000-20 | GEAR A | 1 |
| 035 | 808-72000-20 | HAND GUARD WEIGHT | 1 |
| 037 | 511-72000-20 | CRANK SHAFT COLLAR 6 | 1 |
| 038 | 991-01040-011 | HEX. NUT 4 | 1 |
| 041 | 994-14040-121 | SCREW 4X12/S | 1 |
| 046 | 040-72000-90 | SIDE CASE ASS'Y | 1 |
| 049 | 365-72000-20 | BRAKE HANDLE | 1 |
| 052 | 375-72000-20 | BRAKE LINK COVER | 1 |
| 054 | 374-72000-20 | BRAKE SPRING | 1 |
| 055 | 386-32901-80 | BRAKE LINK SUPPORT COMP. | 1 |
| 056 | 999-05300-980 | NEEDLE ROLLER 3X9.8 | 1 |
| 057 | 379-32901-80 | BRAKE LINK COMP. | 1 |
| 058 | 378-72000-20 | BLAKE BAND | 1 |
| 059 | 470-10246-20 | CLEANER FIXING COLLAR | 1 |
| 060 | 031-32901-20 | COLLAR 7 | 1 |
| 061 | 039-72000-80 | SIDE COVER COMP. | 1 |
| 062 | 388-32900-20 | BLAKE LEVER SPRING | 1 |
| 063 | 993-41040-151 | HI-LO SCREW 4X15 | 3 |

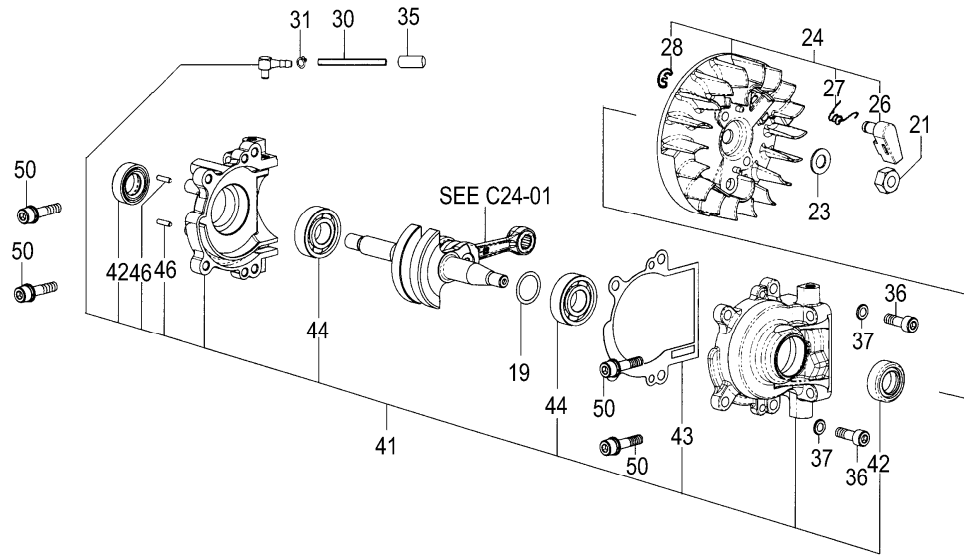
| | | | |
|-----|---------------|---|---|
| | | C24-09 HANDLE | |
| 004 | 990-73050-354 | TAPPING SCREW 5X35 | 1 |
| 005 | 470-10246-20 | CLEANER FIXING COLLAR | 1 |
| 008 | 990-73050-404 | TAPPING SCREW 5X40 | 1 |
| 009 | 275-32710-20 | DAMPER COLLAR A | 1 |
| 010 | 219-32750-20 | DAMPER A | 2 |
| 011 | 990-72050-144 | TAPPING SCREW 5X14 | 2 |
| 015 | 990-73050-164 | TAPPING SCREW 5X16 | 2 |
| 016 | 011-72000-20 | REAR HANDLE B | 1 |
| 026 | 257-32910-20 | SAFETY LEVER | 1 |
| 027 | 060-32970-20 | THROTTLE LEVER | 1 |
| 028 | 061-32710-20 | THROTTLE LEVER SPRING | 1 |
| 033 | 010-72000-20 | REAR HANDLE A | 1 |
| 039 | 993-41040-151 | HI-LO SCREW 4X15 | 3 |
| 041 | 209-72000-21 | FRONT HANDLE | 1 |
| 045 | 885-01761-80 | THROTTLE WIRE COMP. | 1 |
| 047 | 244-3291D-80 | DAMPER COMP. | 3 |
| | | C24-010 COVER/CHAIN/CHAIN BAR CS25EC(SC) | |
| 001 | 013-29720-00 | COMBI BOX SPANA 10X19 | 1 |
| 006 | 081-29720-00 | DRIVER | 1 |
| 050 | 120-72010-20 | CHAIN 10 1/4 | 1 |
| 051 | 110-72005-20 | CHAIN BAR 10 | 1 |
| 065 | 941-32333-20 | CHAIN COVER 10 | 1 |
| | | C24-11 DECALS | |
| 001 | 906-72005-20 | NAME PLATE CS25EC(SC) | 1 |
| 002 | 915-07182-21 | STARTER MARK | 1 |
| 005 | 909-72001-22 | CAUTION MARK A | 1 |
| 011 | 919-72001-20 | CAUTION MARK A | 1 |
| | | ===== END OF DATA ===== | |

C24-01 CS25EC(SC) CYLINDER/PISTON/CRANK SHAFT



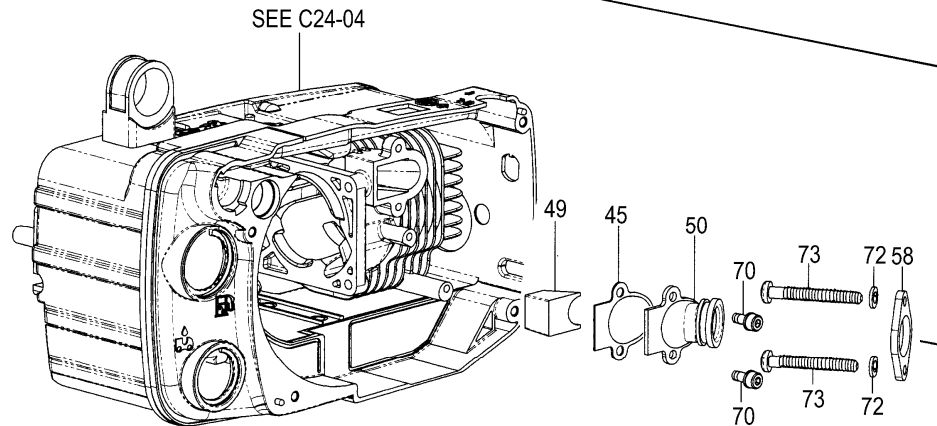
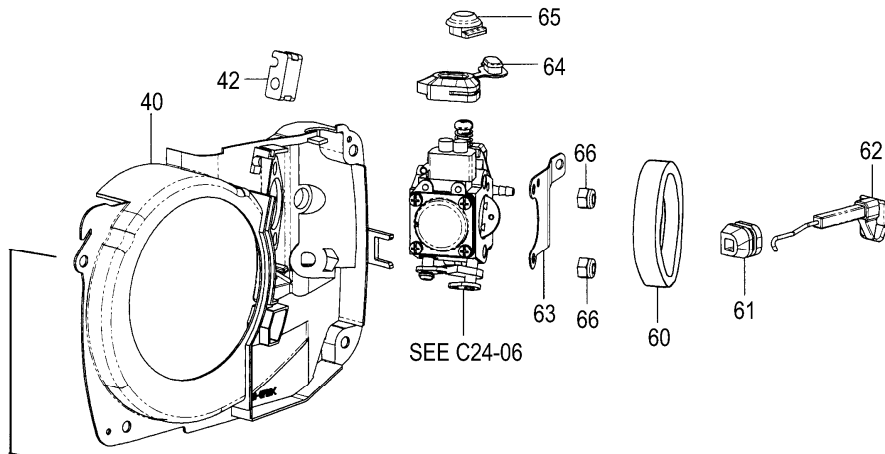
| REF. NUMBER | PARTS NUMBER | DESCRIPTION | Q'TY | SERIAL NUMBER |
|-------------|---------------|-----------------------|------|---------------|
| 001 | 157-01570-90 | SPARK PLUG CAP ASS'Y | 1 | |
| 002 | 018-00546-21 | SPARK PLUG BMR6A | 1 | |
| 006 | 001-01762-90 | CYLINDER SET | 1 | |
| 009 | 017-01761-20 | CYLINDER GASKET | 1 | |
| 010 | 041-01000-20 | PISTON RING | 1 | |
| 011 | 030-01760-90 | PISTON SET | 1 | |
| 012 | 037-07045-20 | PISTON PIN | 1 | |
| 013 | 039-00601-20 | PISTON PIN CIRCLIP | 2 | |
| 016 | 046-01761-80 | CRANK SHAFT COMP. | 1 | |
| 031 | 994-63040-154 | HEX.HOLE BOLT 4X15/PS | 2 | |
| 032 | 167-20557-80 | IGNITION COIL COMP. | 1 | |
| 035 | 755-32050-20 | CORD INSULATOR TUBE | 1 | |

C24-02 CS25EC(SC) CRANK CASE



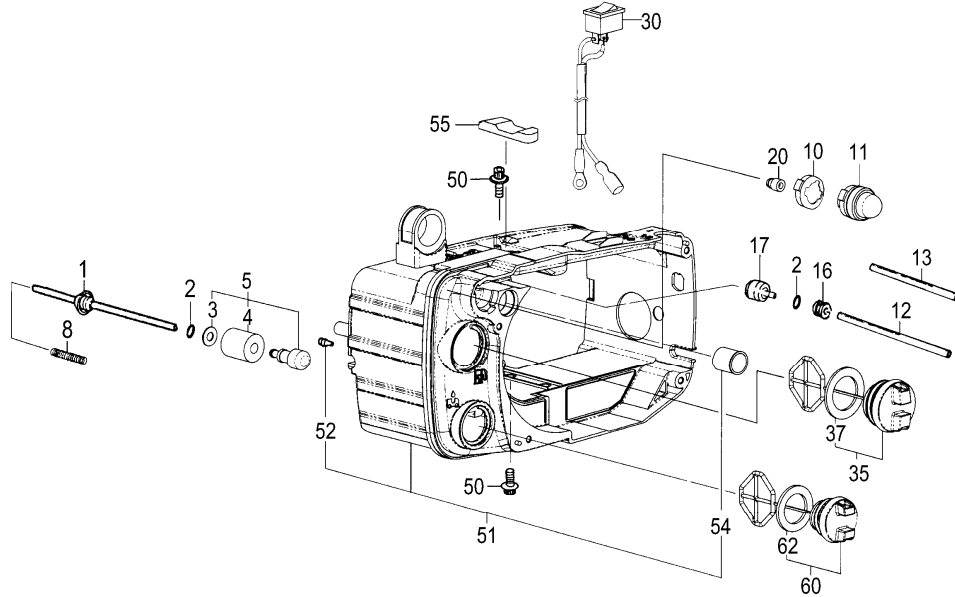
| REF. NUMBER | PARTS NUMBER | DESCRIPTION | Q'TY | SERIAL NUMBER |
|-------------|---------------|-----------------------|------|---------------|
| 019 | 071-04063-23 | SHIM 0.2 | V | |
| 019 | 071-04063-24 | SHIM 0.3 | V | |
| 019 | 071-04063-25 | SHIM 0.4 | V | |
| 021 | 066-00000-20 | FLYWHEEL NUT 12 | 1 | |
| 023 | 992-01070-011 | WASHER 7 | 1 | |
| 024 | 155-20557-90 | MAGNETO ROTOR SET | 1 | |
| 026 | 788-01761-20 | STARTER PAWL | 2 | |
| 027 | 790-01740-20 | STARTER PAWL SPRING | 2 | |
| 028 | 993-55040-001 | STOP RING | 2 | |
| 030 | 700-52545-17 | FUEL PIPE 2.5X4.5X175 | 1 | |
| 031 | 680-00102-20 | CLIP 4.5 | 1 | |
| 035 | 250-06500-20 | INSULATOR TUBE, 50L | 1 | |
| 036 | 990-51050-163 | HEX. HOLE BOLT 5X16 | 4 | |
| 037 | 992-00050-061 | SMALL WASHER 5 | 4 | |
| 041 | 072-01761-91 | CRANK CASE ASS'Y | 1 | |
| 042 | 999-66122-200 | OIL SEAL TB 12227 | 2 | |
| 043 | 090-01761-20 | CRANK CASE GASKET | 1 | |
| 044 | 999-61600-115 | BALL BEARING 6001 C3 | 2 | |
| 046 | 999-05250-980 | NEEDLE ROLLER 2.5X9.8 | 2 | |
| 050 | 994-64050-224 | HEX.HOLE BOLT 5X22/WS | 4 | |

C24-03 CS25EC(SC) ENGINE CASE/AIR CLEANER



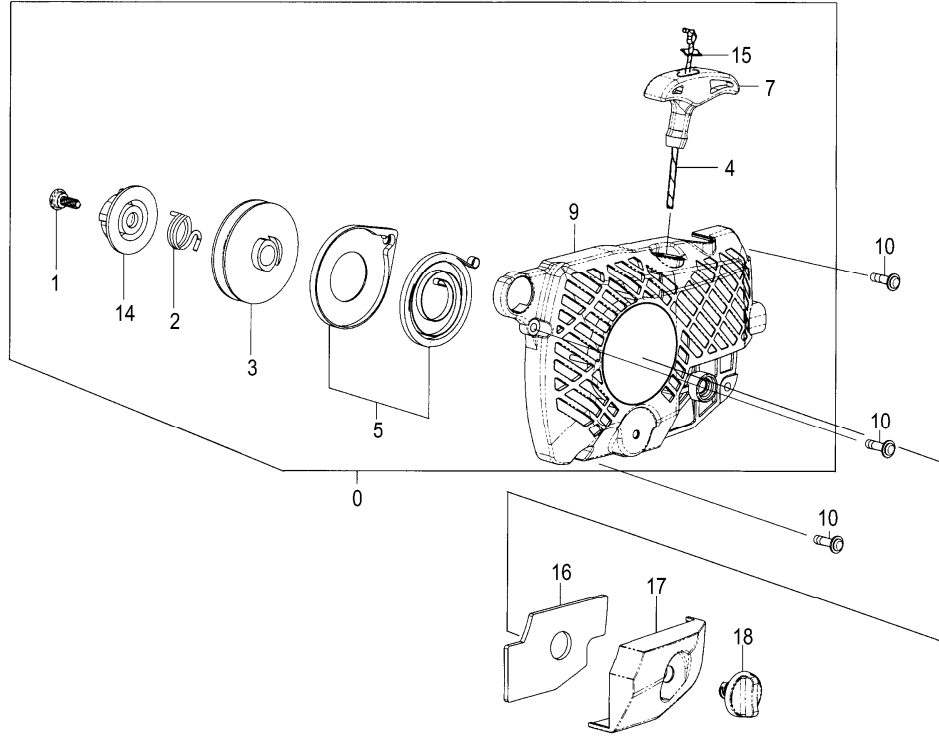
| REF. NUMBER | PARTS NUMBER | DESCRIPTION | Q'TY | SERIAL NUMBER |
|-------------|---------------|----------------------|------|---------------|
| 040 | 145-01761-90 | AIR DEFLECTOR ASS'Y | 1 | |
| 042 | 581-72000-20 | PIPE HOLDING GROMMET | 1 | |
| 045 | 403-01761-20 | INLETMANIFOLD GASKET | 1 | |
| 049 | 400-72000-20 | INLETMANIFOLD SPACER | 1 | |
| 050 | 391-01761-80 | INLETMANIFOLD COMP. | 1 | |
| 058 | 406-01761-20 | CARB. FIXING PLATE | 1 | |
| 060 | 470-72001-20 | DUST COVER | 1 | |
| 061 | 707-32550-20 | CHOKE RUBBER | 1 | |
| 062 | 704-72000-80 | CHOKE BUTTOM COMP. | 1 | |
| 063 | 457-72000-20 | CARUB. SUPPORT PLATE | 1 | |
| 064 | 190-72011-21 | ADJUSTER CAP | 1 | |
| 065 | 191-72000-20 | IDLE GROMMET | 1 | |
| 066 | 991-74050-010 | U-NUT 5 | 2 | |
| 070 | 994-61040-104 | HEX. HOLE BOLT 4X10S | 2 | |
| 072 | 992-01050-011 | WASHER 5 | 2 | |
| 073 | 990-11050-451 | SCREW 5X45 | 2 | |

C24-04 CS25EC(SC) FUEL LINE/OIL FILTER



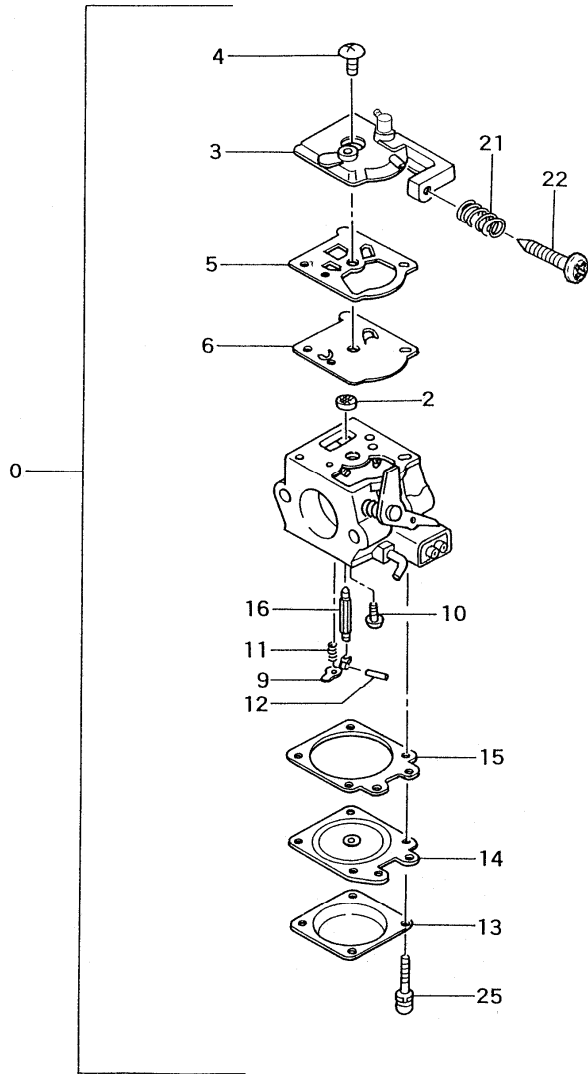
| REF. NUMBER | PARTS NUMBER | DESCRIPTION | Q'TY | SERIAL NUMBER |
|-------------|---------------|------------------------|------|---------------|
| 001 | 223-06500-90 | FUEL PIPE ASS'Y L=130 | 1 | |
| 002 | 680-00070-20 | CLIP | 2 | |
| 003 | 992-01050-011 | WASHER 5 | 1 | |
| 004 | 487-32712-20 | OIL FILTER | 1 | |
| 005 | 486-32710-90 | OIL FILTER BODY ASS'Y | 1 | |
| 008 | 512-11600-20 | PROTECTION COIL | 1 | |
| 010 | 638-72000-20 | PUMP FIXING PLATE | 1 | |
| 011 | 442-25143-80 | PRIMING PUMP COMP. | 1 | |
| 012 | 700-52545-26 | FUEL PIPE | 1 | |
| 013 | 700-02504-14 | FUIL PIPE 2.5X4.5X140 | 1 | |
| 016 | 701-72000-20 | FUEL GROMMET | 1 | |
| 017 | 675-11600-90 | PUMP FILTER BODY ASS'Y | 1 | |
| 020 | 534-72000-20 | RETURN GROMMET | 1 | |
| 030 | 162-01761-80 | STOP SWITCH COMP. | 1 | |
| 035 | 635-72001-90 | TANK CAP ASS'Y | 1 | |
| 037 | 630-3252K-20 | TANK CAP GASKET | 1 | |
| 050 | 990-54050-155 | FLANGE HEX HOLE BOLT 5 | 4 | |
| 051 | 560-72010-90 | ENGINE CASE ASS'Y | 1 | |
| 052 | 562-04060-20 | AIR VENT VALVE B | 1 | |
| 054 | 629-01761-90 | AIR VENT ASS'Y | 1 | |
| 055 | 563-72000-20 | ENGINE CASE COVER | 1 | |
| 060 | 642-3252K-90 | OIL TANK CAP ASS'Y | 1 | |
| 062 | 523-3252K-20 | OIL TANK CAP GASKET | 1 | |

C24-05 CS25EC(SC) RECOIL STARTER



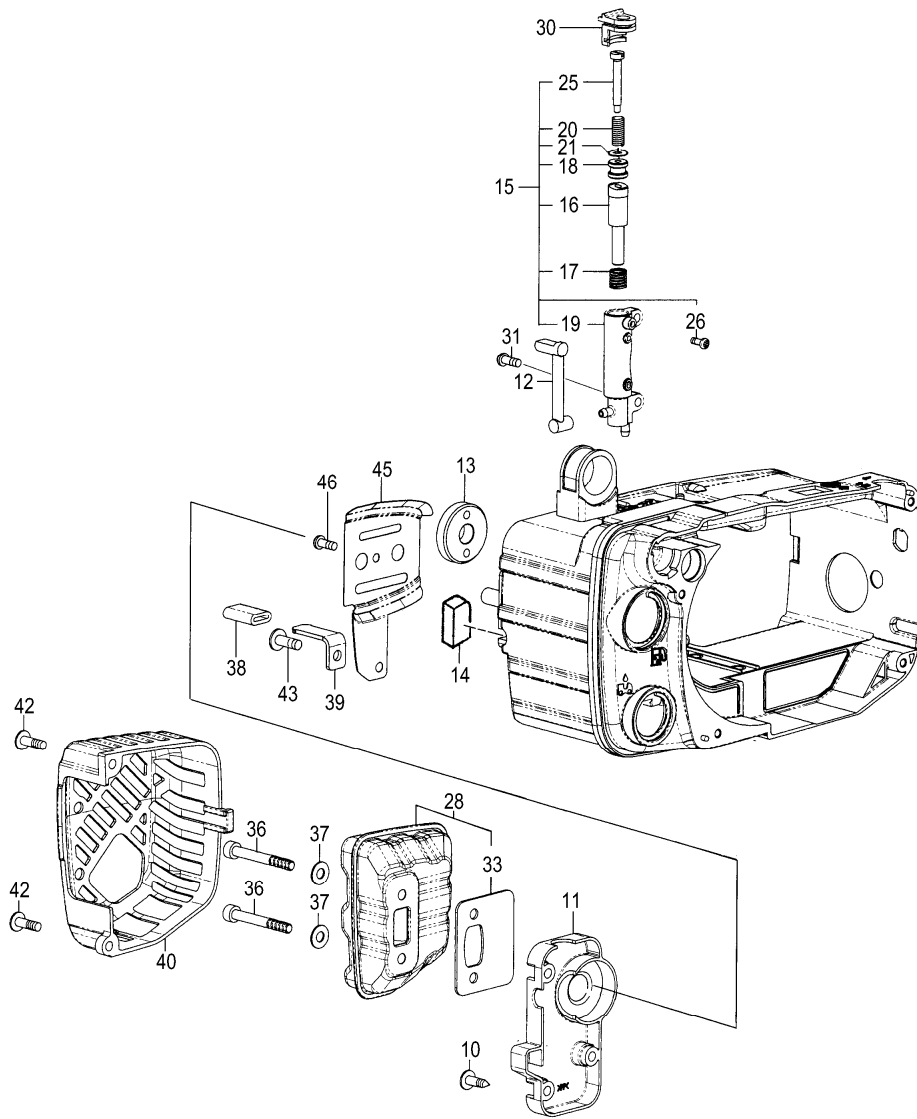
| REF. NUMBER | PARTS NUMBER | DESCRIPTION | Q'TY | SERIAL NUMBER |
|-------------|---------------|------------------------|------|---------------|
| 000 | 756-01761-90 | RECOIL STARTER ASS'Y | 1 | |
| 001 | 839-03045-20 | SET SCREW | 1 | |
| 002 | 758-01761-20 | DUMPER SPRING | 1 | |
| 003 | 774-01761-20 | STARTER PULLEY | 1 | |
| 004 | 783-01761-20 | ROPE | 1 | |
| 005 | 778-01761-90 | RECOIL SPRING CASE ASS | 1 | |
| 007 | 785-01761-20 | STARTER HANDLE | 1 | |
| 009 | 112-01761-80 | FAN CASE COMP. | 1 | |
| 010 | 990-72045-204 | TAPPING SCREW 4.5X20 | 4 | |
| 014 | 759-01761-20 | CAM PLATE | 1 | |
| 015 | 795-04063-20 | ROPE STOPPER | 1 | |
| 016 | 420-01761-20 | CLEANER ELEMENT | 1 | |
| 017 | 051-72000-20 | CLEANER COVER | 1 | |
| 018 | 175-72000-20 | CLEANER KNOB | 1 | |

C24-06 CS25EC(SC) CARBURETOR



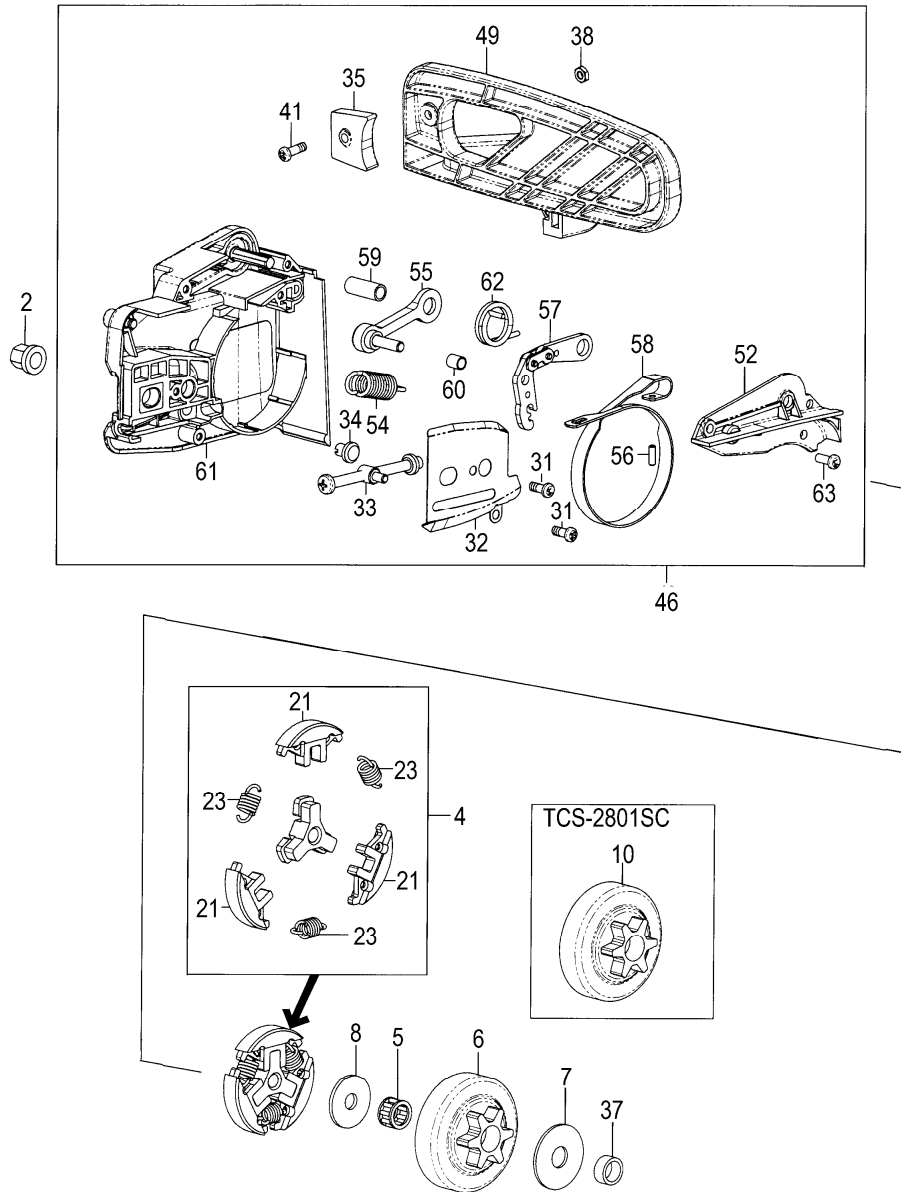
| REF. NUMBER | PARTS NUMBER | DESCRIPTION | Q'TY | SERIAL NUMBER |
|-------------|--------------|------------------------|------|---------------|
| 000 | 455-25329-90 | CARBURETOR ASS'Y WT-79 | 1 | |
| 002 | 578-25007-20 | INLET SCREEN | 1 | |
| 003 | 575-25329-80 | PUMP COVER | 1 | |
| 004 | 514-25001-20 | SET SCREW | 1 | |
| 005 | 577-25007-20 | PUMP GASKET | 1 | |
| 006 | 576-25006-20 | PUMP DIAPHRAGM | 1 | |
| 009 | 473-25001-20 | VALVE HINGE | 1 | |
| 010 | 546-25001-20 | HINGE PIN SET SCREW | 1 | |
| 011 | 477-25088-20 | VALVE SPRING | 1 | |
| 012 | 605-25001-20 | HINGE PIN | 1 | |
| 013 | 476-25004-20 | DIAPHRAGM COVER | 1 | |
| 014 | 474-25001-80 | METERING DIAPHRAGM CO | 1 | |
| 015 | 475-25038-20 | DIAPHRAGM GASKET | 1 | |
| 016 | 603-25012-20 | NEEDLE VALVE | # 1 | |
| 021 | 463-25012-20 | IDLE ADJUST SPRING | 1 | |
| 022 | 462-25006-20 | IDLE ADJUST SCREW | 1 | |
| 025 | 548-25012-20 | SET SCREW | 4 | |

C24-07 CS25EC(SC) OIL PUMP/MUFFLER



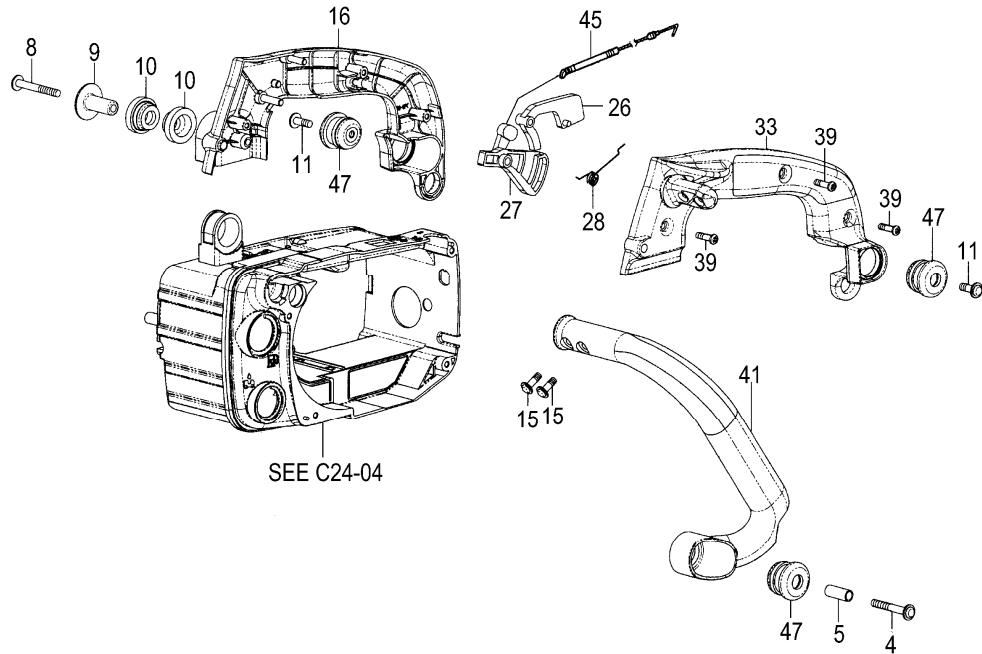
| REF. NUMBER | PARTS NUMBER | DESCRIPTION | Q'TY | SERIAL NUMBER |
|-------------|---------------|-----------------------|------|---------------|
| 010 | 990-75045-144 | TAPPING SCREW 4.5X14 | 3 | |
| 011 | 097-72000-20 | OIL PUMP COVER | 1 | |
| 012 | 515-72000-20 | OIL PIPE A | 1 | |
| 013 | 084-72000-20 | GEAR SHAFT | 1 | |
| 014 | 567-01761-20 | AIR VENT SPONGE | 1 | |
| 015 | 088-72000-90 | OIL PUMP CASE ASS'Y | 1 | |
| 016 | 085-72000-80 | PUMP GEAR COMP. | 1 | |
| 017 | 099-72000-20 | PUMP GEAR SPRING | 1 | |
| 018 | 503-72000-20 | OIL PUMP ADJUSTER CAP | 1 | |
| 019 | 088-72000-80 | OIL PUMP CASE COMP. | 1 | |
| 020 | 502-72000-20 | ADJUSTER SPRING | 1 | |
| 021 | 992-01040-011 | WASHER 4 | 1 | |
| 025 | 501-72000-20 | OIL PUMP ADJUSTER | 1 | |
| 026 | 990-11030-081 | SCREW 3X8 | 1 | |
| 028 | 704-01761-90 | MUFFLER SET | 1 | |
| 030 | 488-72000-20 | OIL ADJUST GROMMET | 1 | |
| 031 | 994-14040-141 | SCREW 4X14/S | 2 | |
| 033 | 737-01700-20 | MUFFLER GASKET | 1 | |
| 036 | 990-51050-403 | HEX. HOLE BOLT 5X40 | 2 | |
| 037 | 992-01050-011 | WASHER 5 | 2 | |
| 038 | 700-07105-02 | VINYL PIPE 7X10.5X20 | 1 | |
| 039 | 125-32710-20 | CHAIN CATCHER | 1 | |
| 040 | 737-72010-20 | MUFFLER COVER | 1 | |
| 042 | 990-75045-144 | TAPPING SCREW 4.5X14 | 2 | |
| 043 | 990-72050-144 | TAPPING SCREW 5X14 | 1 | |
| 045 | 461-72000-20 | GUIDE PLATE A | 1 | |
| 046 | 993-41040-101 | SCREW 4X10 | 1 | |

C24-08 CS25EC(SC) CLUTCH/CHAIN BRAKE



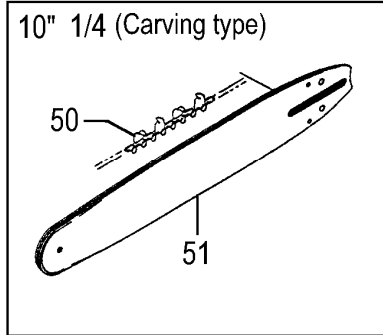
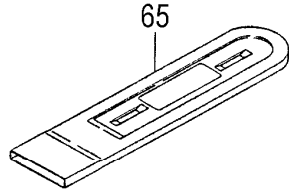
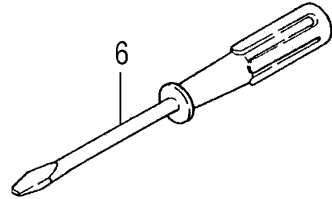
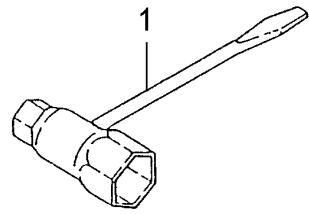
| REF. NUMBER | PARTS NUMBER | DESCRIPTION | Q'TY | SERIAL NUMBER |
|-------------|---------------|--------------------------|------|---------------|
| 002 | 121-32530-20 | CHAIN BAR CLAMP NUT | 1 | |
| 004 | 287-01761-90 | CLUTCH COMP. | 1 | |
| 005 | 999-62101-301 | NEEDLE BRG 101310 1.5X7. | 1 | |
| 006 | 310-72000-80 | CLUTCH HOUSING COMP. | 1 | |
| 007 | 358-01761-20 | CLUTCH WASHER | 1 | |
| 008 | 359-01761-20 | CLUTCH WASHER | 1 | |
| 021 | 345-01761-20 | CLUTCH SHOE | 3 | |
| 023 | 342-01761-20 | CLUTCH SPRING | 3 | |
| 031 | 993-41040-101 | SCREW 4X10 | 2 | |
| 032 | 462-72000-20 | GUIDE PLATE B | 1 | |
| 033 | 116-72000-80 | TENTION ADJUST BOLT CO | 1 | |
| 034 | 301-72000-20 | GEAR A | 1 | |
| 035 | 808-72000-20 | HAND GUARD WEIGHT | 1 | |
| 037 | 511-72000-20 | CRANK SHAFT COLLAR 6 | 1 | |
| 038 | 991-01040-011 | HEX. NUT 4 | 1 | |
| 041 | 994-14040-121 | SCREW 4X12/S | 1 | |
| 046 | 040-72000-90 | SIDE CASE ASS'Y | 1 | |
| 049 | 365-72000-20 | BRAKE HANDLE | 1 | |
| 052 | 375-72000-20 | BRAKE LINK COVER | 1 | |
| 054 | 374-72000-20 | BRAKE SPRING | 1 | |
| 055 | 386-32901-80 | BRAKE LINK SUPPORT COM | 1 | |
| 056 | 999-05300-980 | NEEDLE ROLLER 3X9.8 | 1 | |
| 057 | 379-32901-80 | BRAKE LINK COMP. | 1 | |
| 058 | 378-72000-20 | BLAKE BAND | 1 | |
| 059 | 470-10246-20 | CLEANER FIXING COLLAR | 1 | |
| 060 | 031-32901-20 | COLLAR 7 | 1 | |
| 061 | 039-72000-80 | SIDE COVER COMP. | 1 | |
| 062 | 388-32900-20 | BLAKE LEVER SPRING | 1 | |
| 063 | 993-41040-151 | HI-LO SCREW 4X15 | 3 | |

C24-09 CS25EC(SC) HANDLE



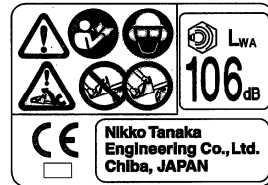
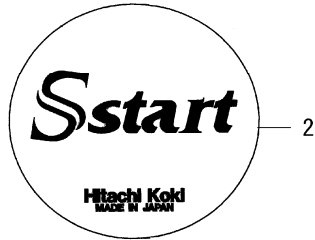
| REF. NUMBER | PARTS NUMBER | DESCRIPTION | Q'TY | SERIAL NUMBER |
|-------------|---------------|-----------------------|------|---------------|
| 004 | 990-73050-354 | TAPPING SCREW 5X35 | 1 | |
| 005 | 470-10246-20 | CLEANER FIXING COLLAR | 1 | |
| 008 | 990-73050-404 | TAPPING SCREW 5X40 | 1 | |
| 009 | 275-32710-20 | DAMPER COLLAR A | 1 | |
| 010 | 219-32750-20 | DAMPER A | 2 | |
| 011 | 990-72050-144 | TAPPING SCREW 5X14 | 2 | |
| 015 | 990-73050-164 | TAPPING SCREW 5X16 | 2 | |
| 016 | 011-72000-20 | REAR HANDLE B | 1 | |
| 026 | 257-32910-20 | SAFETY LEVER | 1 | |
| 027 | 060-32970-20 | THROTTLE LEVER | 1 | |
| 028 | 061-32710-20 | THROTTLE LEVER SPRING | 1 | |
| 033 | 010-72000-20 | REAR HANDLE A | 1 | |
| 039 | 993-41040-151 | HI-LO SCREW 4X15 | 3 | |
| 041 | 209-72000-21 | FRONT HANDLE | 1 | |
| 045 | 885-01761-80 | THROTTLE WIRE COMP. | 1 | |
| 047 | 244-3291D-80 | DAMPER COMP. | 3 | |

C24-10 CS25EC(SC) COVER/CHAIN/CHAIN BAR



| REF. NUMBER | PARTS NUMBER | DESCRIPTION | Q'TY | SERIAL NUMBER |
|-------------|--------------|-----------------------|------|---------------|
| 001 | 013-29720-00 | COMBI BOX SPANA 10X19 | 1 | |
| 006 | 081-29720-00 | DRIVER | 1 | |
| 050 | 120-72010-20 | CHAIN 10 1/4 | 1 | |
| 051 | 110-72005-20 | CHAIN BAR 10 | 1 | |
| 065 | 941-32333-20 | CHAIN COVER 10 | 1 | |

C24-11 CS25EC(S) LABELS



| REF. NUMBER | PARTS NUMBER | DESCRIPTION | Q'TY | SERIAL NUMBER |
|-------------|--------------|-----------------------|------|---------------|
| 001 | 906-72005-20 | NAME PLATE CS25EC(SC) | 1 | |
| 002 | 915-07182-21 | STARTER MARK | 1 | |
| 005 | 909-72001-22 | CAUTION MARK A | 1 | |
| 011 | 919-72001-20 | CAUTION MARK A | 1 | |