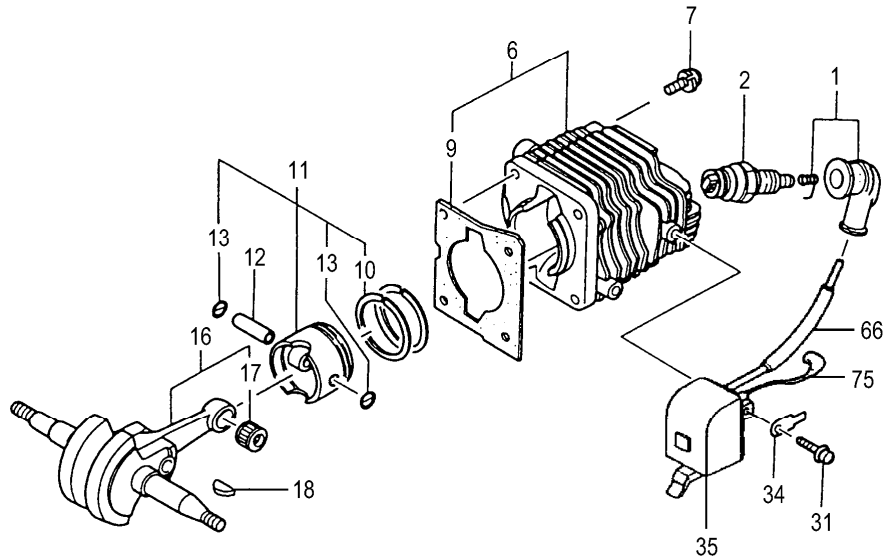


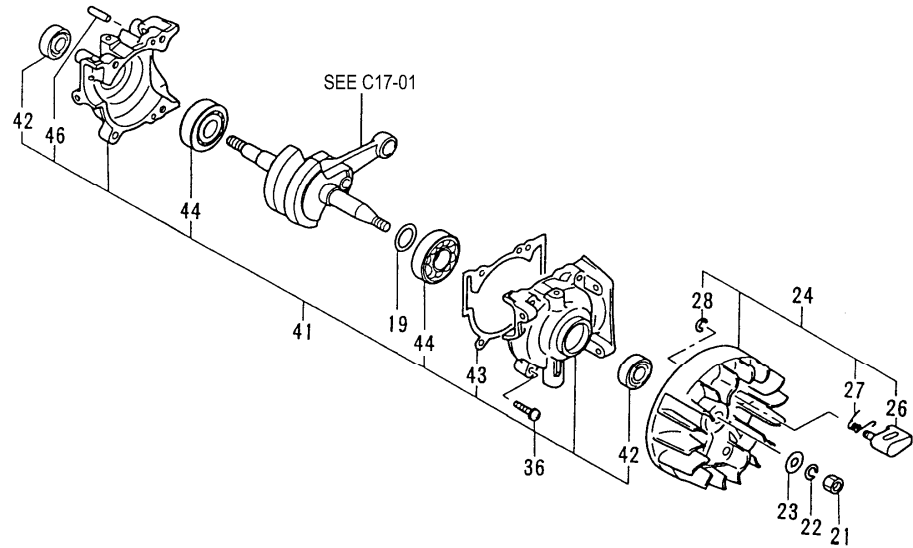
C17-01 CS30EG(S) CYLINDER/PISTON/CRANK SHAFT



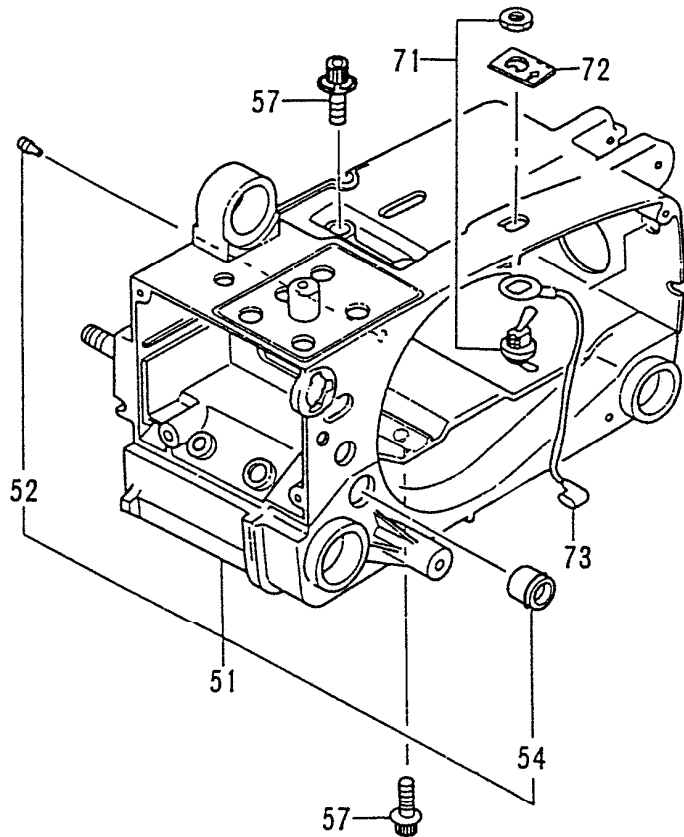
| REF. NUMBER | PARTS NUMBER | DESCRIPTION | Q'TY | SERIAL NUMBER |
|-------------|---------------|--------------------------|------|---------------|
| 001 | 157-11666-90 | SPARK PLUG CAP ASS'Y | 1 # | #ADR! # |
| 002 | 018-00562-20 | SPARK PLUG RCJ-8 | 1 # | #ADR! # |
| 006 | 001-01740-91 | CYLINDER SET | 1 # | #ADR! # |
| 007 | 994-61050-164 | HEX. HOLE BOLT 5X16S | 4 # | #ADR! # |
| 009 | 017-01740-20 | CYLINDER GASKET | 1 # | #ADR! # |
| 010 | 041-01730-20 | PISTON RING | 2 # | #ADR! # |
| 011 | 030-01741-90 | PISTON SET | 1 # | #ADR! # |
| 012 | 037-01400-20 | PISTON PIN | 1 # | #ADR! # |
| 013 | 039-00000-20 | PISTON PIN CIRCLIP | 2 # | #ADR! # |
| 016 | 046-01740-80 | CRANK SHAFT COMP. | 1 # | #ADR! # |
| 017 | 999-62091-325 | NEEDLE BRG F-910 1.4X8.5 | 1 # | #ADR! # |
| 018 | 068-10100-20 | WOOD-RUFF KEY 3X13X4.5 | 1 # | #ADR! # |
| 031 | 994-16040-186 | HIGH TENSION SCREW 4X18W | 2 # | #ADR! # |
| 034 | 205-01700-20 | TAB | 1 # | #ADR! # |
| 035 | 167-21540-80 | IGNITION COIL COMP. | 1 # | #ADR! # |
| 066 | 755-32050-20 | CORD INSULATOR TUBE | 1 # | #ADR! # |
| 075 | 178-01740-80 | CORD, B 70M | 1 # | #ADR! # |

C17-02

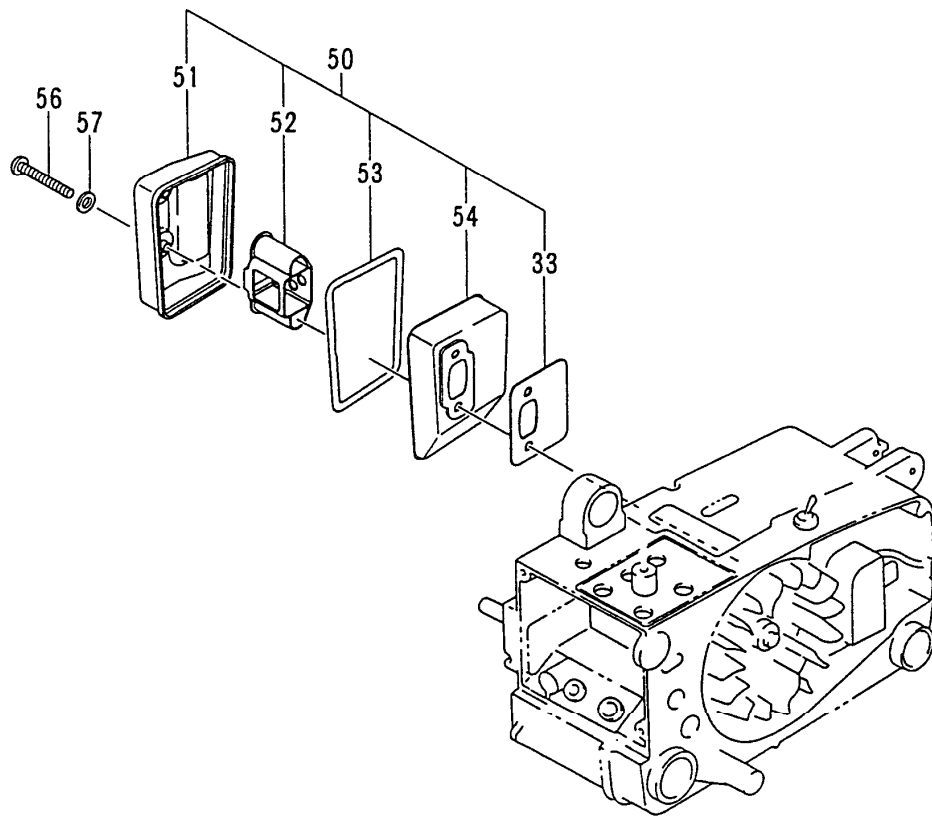
CS30EG(S) CRANK CASE



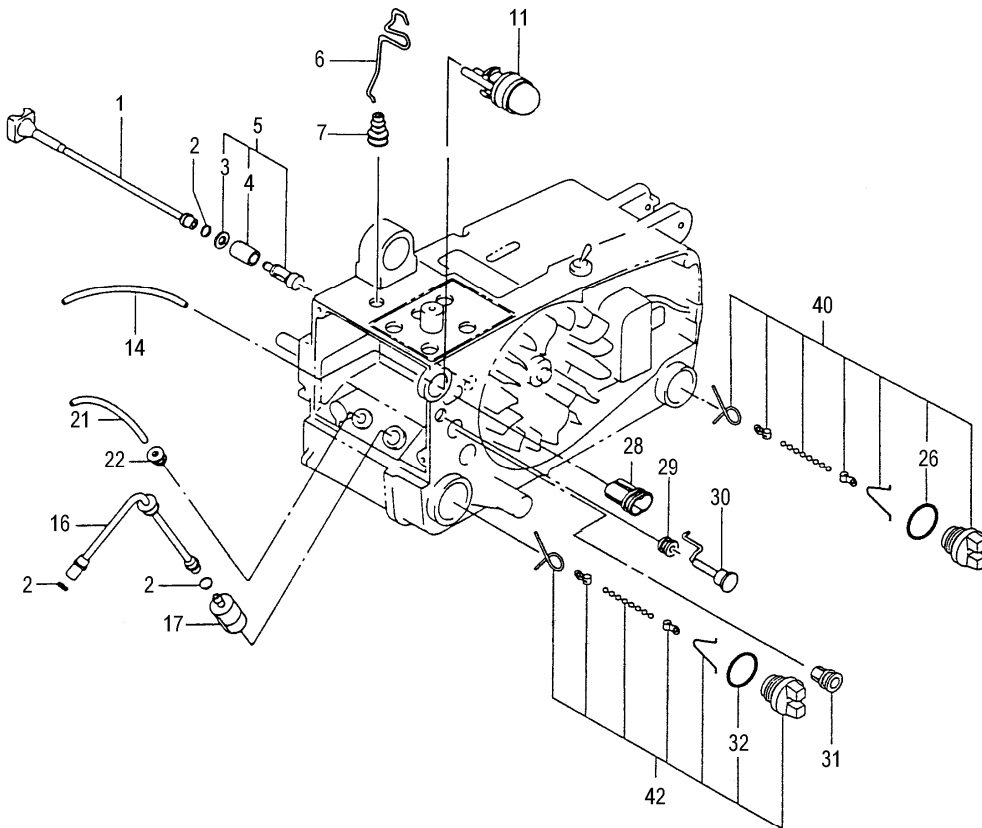
| REF. NUMBER | PARTS NUMBER | DESCRIPTION | Q'TY | SERIAL NUMBER |
|-------------|---------------|--------------------------------|------|---------------|
| 019 | 071-04063-21 | SHIM 0.1 | V | # #ADR! # |
| 019 | 071-04063-23 | SHIM 0.2 | V | # #ADR! # |
| 019 | 071-04063-24 | SHIM 0.3 | V | # #ADR! # |
| 019 | 071-04063-25 | SHIM 0.4 | V | # #ADR! # |
| 021 | 066-00000-20 | FLYWHEEL NUT 12 | 1 | # #ADR! # |
| 022 | 992-10070-012 | S.WASHER 7 | 1 | # #ADR! # |
| 023 | 992-01070-011 | WASHER 7 | 1 | # #ADR! # |
| 024 | 155-21540-90 | MAGNETO ROTOR ASS'Y | 1 | # #ADR! # |
| 026 | 788-01740-20 | STARTER PAWL | 2 | # #ADR! # |
| 027 | 790-01740-20 | STARTER PAWL SPRING | 2 | # #ADR! # |
| 028 | 993-55040-001 | STOP RING | 2 | # #ADR! # |
| 036 | 994-61050-204 | HEX. HOLE BOLT 5X20/S | 4 | # #ADR! # |
| 041 | 072-01740-94 | CRANK CASE ASS'Y | 1 | # #ADR! # |
| 042 | 999-66122-200 | OIL SEAL TB 12227 | 2 | # #ADR! # |
| 043 | 090-0174G-20 | CRANK CASE GASKET | 1 | # #ADR! # |
| 044 | 999-61620-106 | BALL BEARING 6201 A2C3,32MM/OI | 2 | # #ADR! # |
| 046 | 999-05250-980 | NEEDLE ROLLER 2.5X9.8 | 1 | # #ADR! # |
| | | | | # #ADR! # |
| | | | | # #ADR! # |

C17-03**CS30EG(S) ENGINE CASE**

| REF. NUMBER | PARTS NUMBER | DESCRIPTION | Q'TY | SERIAL NUMBER |
|-------------|---------------|------------------------------|------|---------------|
| 051 | 560-32942-90 | ENGINE CASE ASS'Y, VERMILION | 1 | |
| 052 | 562-04060-20 | AIR VENT VALVE B | 1 | |
| 054 | 645-01750-90 | AIR VENT VALVE SET | 1 | |
| 057 | 994-63050-204 | HEX.HOLE BOLT 5X20PS | 4 | |
| 071 | 162-01570-90 | STOP SWITCH ASS'Y | 1 | |
| 072 | 183-01300-20 | SWITCH NAME PLATE | 1 | |
| 073 | 274-01700-80 | EARTH CORD COMP. | 1 | |

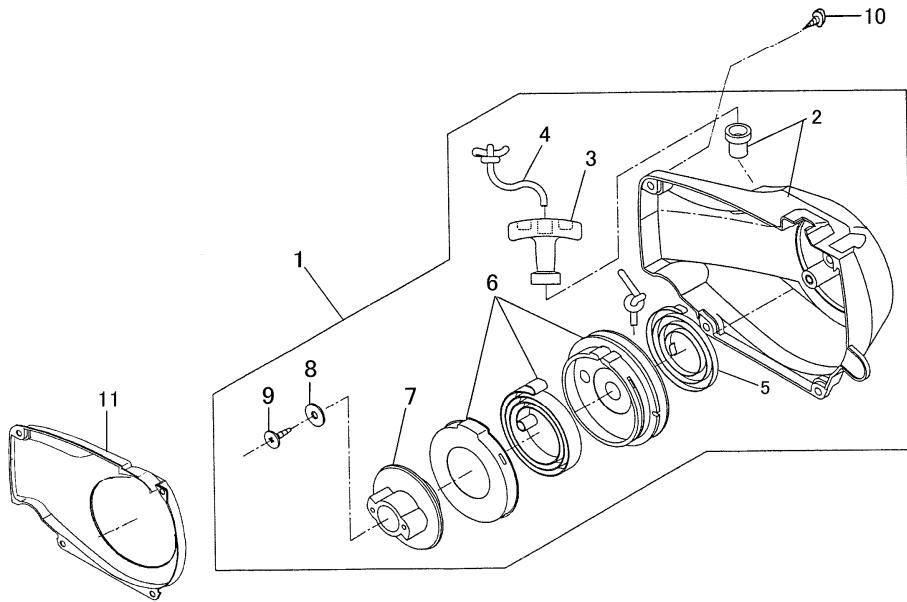
C17-05**CS30EG(S) MUFFLER**

| REF. NUMBER | PARTS NUMBER | DESCRIPTION | QTY | SERIAL NUMBER |
|-------------|---------------|-----------------------|-----|---------------|
| 033 | 737-01700-20 | MUFFLER GASKET | 1 | # #ADR! # |
| 050 | 704-0174C-90 | MUFFLER SET | 1 | # #ADR! # |
| 051 | 717-01740-80 | MUFFLER BODY B COMP | 1 | # #ADR! # |
| 052 | 724-01709-20 | MUFFLER FITTING METAL | 1 | # #ADR! # |
| 053 | 739-01709-20 | MUFFLER JOINT GASKET | 1 | # #ADR! # |
| 054 | 716-01709-80 | MUFFLER BODY A COMP | 1 | # #ADR! # |
| 056 | 990-11050-401 | SCREW 5X40 | 2 | # #ADR! # |
| 057 | 992-01050-011 | WASHER 5 | 2 | # #ADR! # |
| | | | | # |
| | | | | # |

C17-06**CS30EG(S) FUEL/OIL FILTER**

| REF. NUMBER | PARTS NUMBER | DESCRIPTION | Q'TY | SERIAL NUMBER |
|-------------|---------------|------------------------|------|---------------|
| 001 | 505-32710-20 | OIL PIPE B | 1 | # #ADR! # |
| 002 | 680-04019-21 | CLIP 7 | 3 | # #ADR! # |
| 003 | 992-01050-011 | WASHER 5 | 1 | # #ADR! # |
| 004 | 487-32712-20 | OIL FILTER | 1 | # #ADR! # |
| 005 | 486-32710-90 | OIL FILTER BODY ASS'Y | 1 | # #ADR! # |
| 006 | 490-32910-20 | THROTTLE ROD | 1 | # #ADR! # |
| 007 | 491-32710-20 | THROTTLE GUIDE | 1 | # #ADR! # |
| 011 | 442-25143-80 | PRIMING PUMP COMP. | 1 | # #ADR! # |
| 014 | 700-02504-04 | FUEL PIPE 2.5X4X42 | 1 | # #ADR! # |
| 016 | 678-01740-20 | RUBBER PIPE | 1 | # #ADR! # |
| 017 | 675-11600-90 | PUMP FILTER BODY ASS'Y | 1 | # #ADR! # |
| 021 | 700-02504-15 | FUEL PIPE 2.5X4X150 | 1 | # #ADR! # |
| 022 | 534-32710-20 | RETURN GROMMET | 1 | # #ADR! # |
| 026 | 999-67018-000 | O-RING P-18 | 1 | # #ADR! # |
| 028 | 190-3290G-20 | ADJUSTER CAP | 1 | # #ADR! # |
| 029 | 707-32710-20 | GROMMET | 1 | # #ADR! # |
| 030 | 704-32710-80 | CHOKE BUTTON COMP. | 1 | # #ADR! # |
| 031 | 191-32710-20 | GROMMET | 1 | # #ADR! # |
| 032 | 999-67020-000 | O-RING P-20 | 1 | # #ADR! # |
| 040 | 642-32719-90 | OIL TANK CAP ASS'Y | 1 | # #ADR! # |
| 042 | 635-32911-90 | TANK CAP ASS'Y | 1 | # #ADR! # |

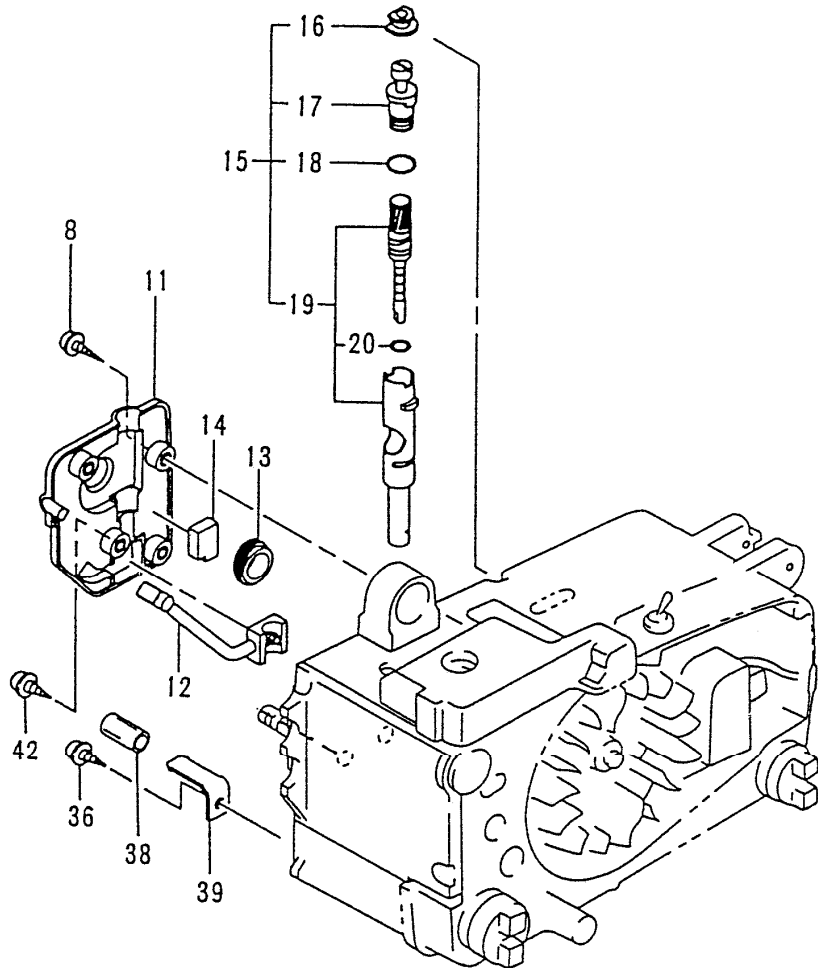
C17-07 CS30EG(S) RECOIL STARTER



| REF. NUMBER | PARTS NUMBER | DESCRIPTION | Q'TY | SERIAL NUMBER |
|-------------|---------------|-------------------------|------|---------------|
| 001 | 756-0174G-90 | RECOIL STARTER ASS'Y OF | 1 | # #ADR! # |
| 002 | 112-0174G-80 | FAN CASE COMP. OR | 1 | # #ADR! # |
| 003 | 785-07085-20 | STARTER HANDLE | 1 | # #ADR! # |
| 004 | 783-07085-20 | RECOIL ROPE | 1 | # #ADR! # |
| 005 | 780-07085-20 | RECOIL SPRING | 1 | # #ADR! # |
| 006 | 778-0174F-90 | SPRING CASE ASS'Y | 1 | # #ADR! # |
| 007 | 774-0174F-20 | STARTER PULLY | 1 | # #ADR! # |
| 008 | 182-07085-20 | SPECIAL WASHER 5.2X15 | 1 | # #ADR! # |
| 009 | 990-72050-144 | TAPPING SCREW 5X14 | 1 | # #ADR! # |
| 010 | 990-72045-204 | TAPPING SCREW 4.5X20 | 4 | # #ADR! # |
| 011 | 145-01743-20 | AIR DEFLECTOR | 1 | # #ADR! # |

C17-09

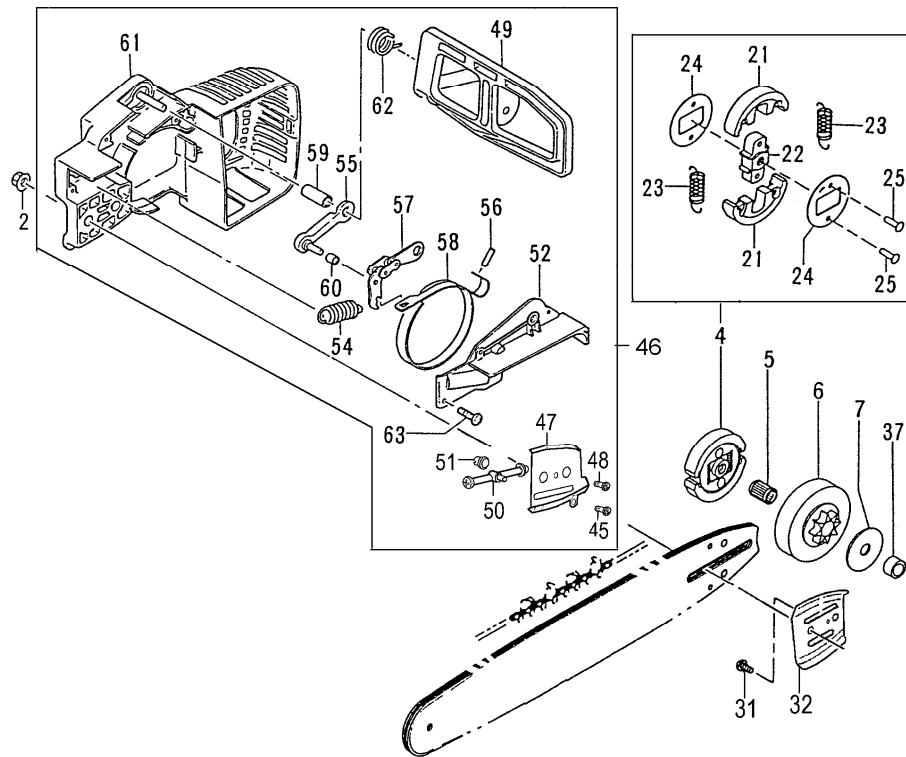
CS30EG(S) OIL PUMP



| REF. NUMBER | PARTS NUMBER | DESCRIPTION | Q'TY | SERIAL NUMBER |
|-------------|---------------|--------------------------|------|---------------|
| 008 | 994-16050-141 | SCREW 5X14/WS | 2 | # #ADR! # |
| 011 | 097-32900-20 | OIL PUMP COVER | 1 | # #ADR! # |
| 012 | 515-32710-20 | OIL PIPE A | 1 | # #ADR! # |
| 013 | 084-32900-20 | SCREW GEAR | 1 | # #ADR! # |
| 014 | 567-01700-20 | AIR VENT SPONGE | 1 | # #ADR! # |
| 015 | 144-32902-90 | OIL PUMP ASS'Y | 1 | # #ADR! # |
| 016 | 488-32710-21 | OIL ADJUST GROMMET | 1 | # #ADR! # |
| 017 | 501-32710-21 | OIL PUMP ADJUSTER | 1 | # #ADR! # |
| 018 | 999-67006-000 | O-RING P-6 | 1 | # #ADR! # |
| 019 | 088-3277A-91 | OIL PUMP CASE SET, SPARE | 1 | # #ADR! # |
| 020 | 999-67006-000 | O-RING P-6 | 1 | # #ADR! # |
| 036 | 990-72050-144 | TAPPING SCREW 5X14 | 1 | # #ADR! # |
| 038 | 700-07105-02 | VINYL PIPE 7X10.5X20 | 1 | # #ADR! # |
| 039 | 125-32710-20 | CHAIN CATCHER | 1 | # #ADR! # |
| 042 | 990-75045-144 | TAPPING SCREW 4.5X14 | 2 | # #ADR! # |

C17-10

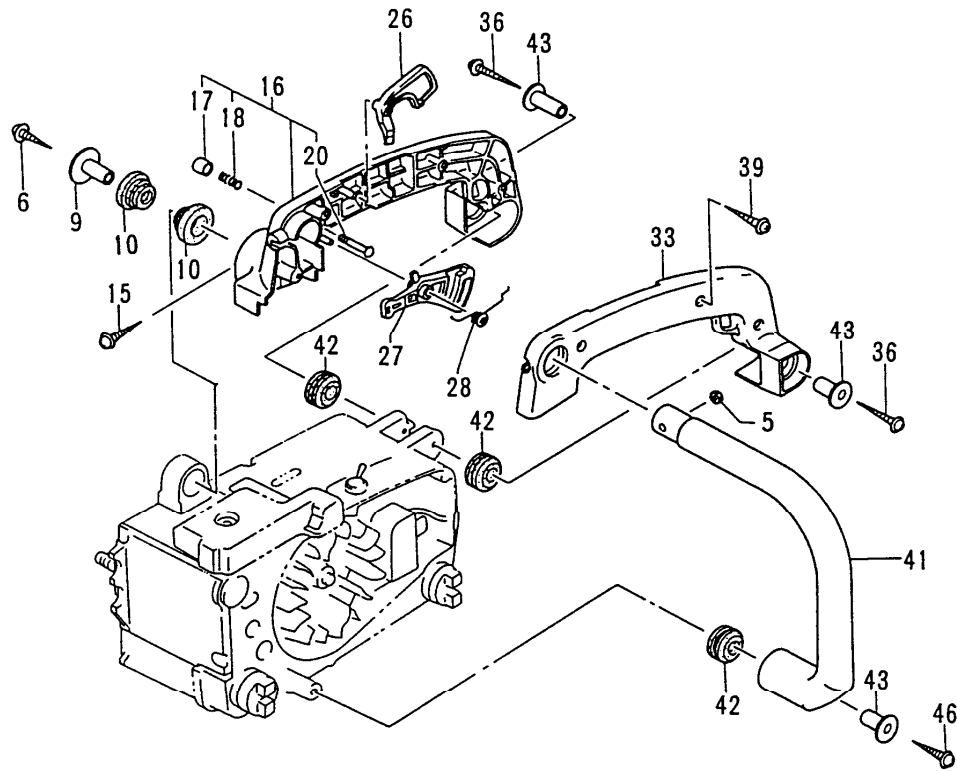
CS30EG(S) CLUTCH/CHAIN BRAKE



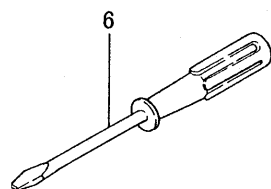
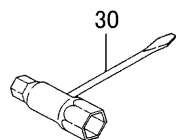
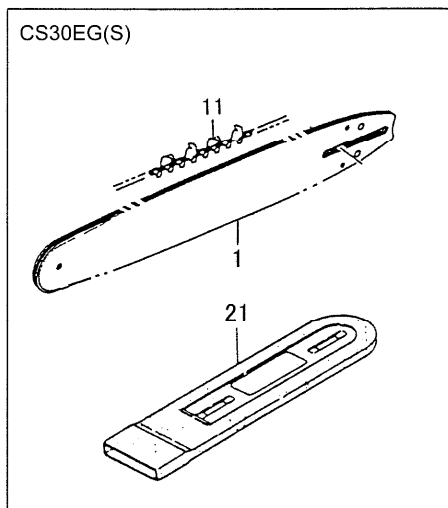
| REF. NUMBER | PARTS NUMBER | DESCRIPTION | Q'TY | SERIAL NUMBER |
|-------------|---------------|---------------------------|------|---------------|
| 002 | 121-32530-20 | CHAIN BAR CLAMP NUT | 1 | # #ADR! # |
| 004 | 287-01700-81 | CLUTCH COMP. | 1 | # #ADR! # |
| 005 | 999-62101-301 | NEEDLE BRG 101310 1.5X7.5 | 1 | # #ADR! # |
| 006 | 310-32710-20 | CLUTCH HOUSING | 1 | # #ADR! # |
| 007 | 358-04050-20 | CLUTCH WASHER | 1 | # #ADR! # |
| 021 | 345-01700-20 | CLUTCH SHOE | 2 | # #ADR! # |
| 022 | 346-01700-20 | CLUTCH BOSS | 1 | # #ADR! # |
| 023 | 342-01700-20 | CLUTCH SPRING | 2 | # #ADR! # |
| 024 | 348-01700-21 | CLUTCH PLATE A | 2 | # #ADR! # |
| 025 | 992-74004-143 | RIVET 4X14 | 2 | # #ADR! # |
| 031 | 993-41040-101 | SCREW 4X10 | 1 | # #ADR! # |
| 032 | 461-32908-20 | GUIDE PLATE A | 1 | # #ADR! # |
| 037 | 511-32900-20 | CRANK SHAFT COLLAR 7.7 | 1 | # #ADR! # |
| 045 | 993-41040-101 | SCREW 4X10 | 1 | # #ADR! # |
| 046 | 040-32911-91 | SIDE CASE ASS'Y | 1 | # #ADR! # |
| 047 | 462-32911-20 | GUIDE PLATE B | 1 | # #ADR! # |
| 048 | 993-30026-050 | SCREW 2.6X5 | 1 | # #ADR! # |
| 049 | 365-32911-80 | BRAKE HANDLE, BLACK | 1 | # #ADR! # |
| 050 | 116-32911-80 | TENSIONER BOLT COMP. | 1 | # #ADR! # |
| 051 | 301-72000-20 | GEAR A | 1 | # #ADR! # |
| 052 | 375-32900-21 | BRAKE LINK COVER, BLACK | 1 | # #ADR! # |
| 054 | 374-32900-20 | BRAKE SPRING | 1 | # #ADR! # |
| 055 | 386-32901-80 | BRAKE LINK SUPPORT COMP | 1 | # #ADR! # |
| 056 | 999-05300-980 | NEEDLE ROLLER 3X9.8 | 1 | # #ADR! # |
| 057 | 379-32901-80 | BRAKE LINK COMP. | 1 | # #ADR! # |
| 058 | 378-3291R-20 | BRAKE BAND | 1 | # #ADR! # |
| 059 | 470-10246-20 | CLEANER FIXING COLLAR | 1 | # #ADR! # |
| 060 | 031-32901-20 | COLLAR 7 | 1 | # #ADR! # |
| 061 | 039-32901-81 | SIDE CASE COMP. | 1 | # #ADR! # |
| 062 | 388-32900-20 | BLAKE LEVER SPRING | 1 | # #ADR! # |
| 063 | 993-41040-151 | HI-LO SCREW 4X15 | 3 | # #ADR! # |
| | | | | # #ADR! # |
| | | | | # #ADR! # |

C17-11

CS30EG(S) HANDLE



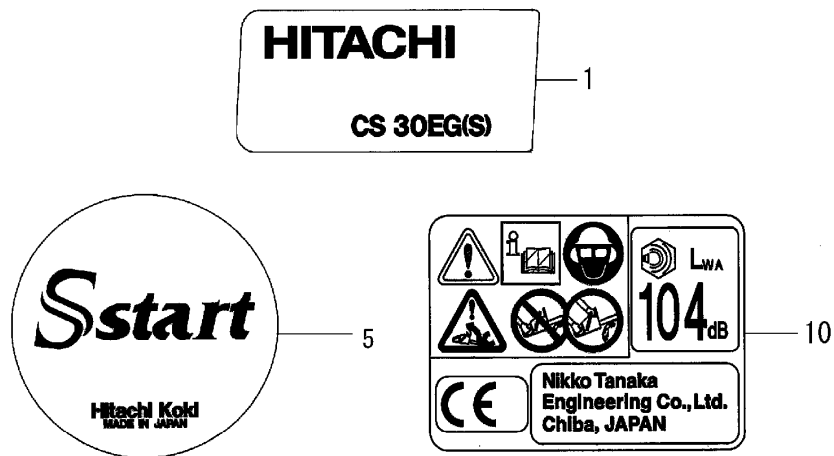
| REF. NUMBER | PARTS NUMBER | DESCRIPTION | Q'TY | SERIAL NUMBER |
|-------------|---------------|-----------------------|------|---------------|
| 005 | 991-78040-010 | NYLON LOCK NUT 4 | 1 | # |
| 006 | 990-73050-404 | TAPPING SCREW 5X40 | 1 | # |
| 009 | 275-32710-20 | DAMPER COLLAR A | 1 | # |
| 010 | 219-32750-20 | DAMPER A | 2 | # |
| 015 | 994-15040-302 | SCREW 4X30PS | 1 | # |
| 016 | 011-32900-80 | REAR HANDLE B COMP. | 1 | # |
| 017 | 725-32161-20 | PUSH PIN CAP | 1 | # |
| 018 | 066-32300-20 | STOPPER SPRING | 1 | # |
| 020 | 064-32530-20 | PUSH PIN | 1 | # |
| 026 | 257-32910-20 | SAFETY LEVER | 1 | # |
| 027 | 060-32910-20 | THROTTLE LEVER | 1 | # |
| 028 | 061-32710-20 | THROTTLE LEVER SPRING | 1 | # |
| 033 | 010-32900-20 | REAR HANDLE A | 1 | # |
| 036 | 990-73050-354 | TAPPING SCREW 5X35 | 2 | # |
| 039 | 993-41040-151 | HI-LO SCREW 4X15 | 3 | # |
| 041 | 209-32946-20 | FRONT HANDLE | 1 | # |
| 042 | 266-32750-20 | DAMPER B | 3 | # |
| 043 | 276-32710-20 | DAMPER COLLAR B | 3 | # |
| 046 | 990-73050-354 | TAPPING SCREW 5X35 | 1 | # |

C17-12**CS30EG(S) COVER/CHAIN/CHAIN BAR**

| REF. NUMBER | PARTS NUMBER | DESCRIPTION | Q'TY | SERIAL NUMBER |
|-------------|--------------|-------------------------|------|---------------|
| 001 | 109-72900-20 | CHAIN BAR 12 | 1 | |
| 006 | 081-29329-7U | 4X50 MINUS DRIVER | 1 | |
| 011 | 128-32911-20 | CHAIN 12 X3/8 , | 1 | |
| 021 | 943-32713-20 | CHAIN COVER 12 | 1 | |
| 030 | 013-29323-50 | COMBI. BOX SPANNER 10X1 | 1 | |

C17-13

CS30EG(S) LABELS



| REF. NUMBER | PARTS NUMBER | DESCRIPTION | Q'TY | SERIAL NUMBER |
|-------------|--------------|----------------------|------|---------------|
| 001 | 906-72900-20 | NAME PLATE CS30EG(S) | 1 | # # |
| 005 | 915-07182-20 | STARTER MARK | 1 | |
| 010 | 909-32946-21 | CAUTION MARK A(ECS) | 1 | |