

C08

CS30EH(S)/35EH(S)

Serial No.

MODEL:CS35EH
 C08-01 CYLINDER/PISTON/CRANK

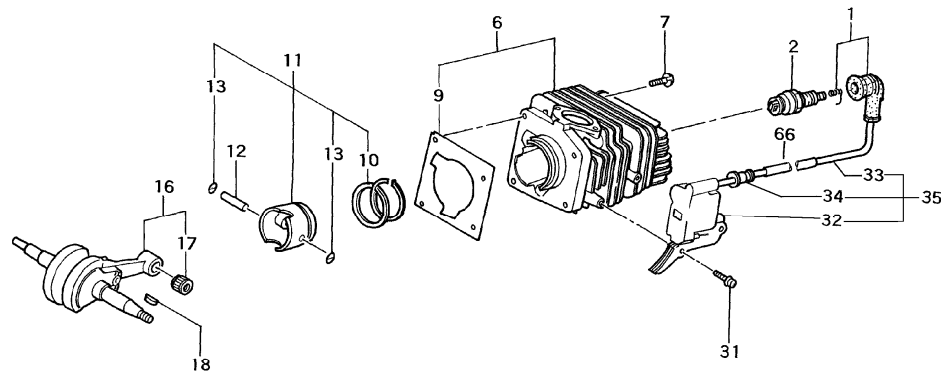
001	157-11666-90	SPARK PLUG CAP ASS'Y	1	*07
002	018-00555-20	SPARK PLUG, RCJ8Y	1	82101
006	001-01750-90	CYLINDER SET	1	82102
007	994-61050-184	HEX. HOLE BOLT 5X18/S	4	
009	017-01750-20	CYLINDER GASKET	1	
010	041-04000-20	PISTON RING	2	
011	030-01750-90	PISTON SET,SPARE	1	
012	037-01400-20	PISTON PIN	1	
013	039-00000-20	PISTON PIN CIRCLIP	2	
016	046-01751-80	CRANK SHAFT COMP.	1	
017	999-62091-325	NEEDLE BRG F-910 1.4X8.5	1	
018	068-10100-20	WOOD-RUFF KEY 3X13X4.5	1	
031	994-16040-186	HIGH TENSION SCREW 4X18WS	2	
032	167-20555-80	IGNITION COIL COMP.	1	
033	178-20555-20	HIGHTENSION SION CORD 110L	1	
034	560-20517-20	RUBBER CAP	1	
035	167-20555-90	IGNITION COIL ASS'Y	1	
066	755-32050-20	CORD INSULATOR TUBE	1	
		C08-02 CRANK CASE		
019	071-04063-21	SHIM 0.1	V	
019	071-04063-23	SHIM 0.2	V	
019	071-04063-24	SHIM 0.3	V	
021	066-00000-20	FLYWHEEL NUT 12	1	
022	992-10070-012	S.WASHER 7	1	
023	992-01070-011	WASHER 7	1	
024	155-20544-90	MAGNET ROTOR ASS'Y	1	
026	788-01740-20	STARTER PAWL	2	
027	790-01740-20	STARTER PAWL SPRING	2	
028	993-55040-001	STOP RING	2	
036	994-61050-204	HEX. HOLE BOLT 5X20/S	3	
041	072-01750-90	CRANK CASE ASS'Y	1	
042	999-66122-200	OIL SEAL TB 12227	2	
043	090-01750-20	CRANK CASE GASKET	1	
044	999-61620-106	BALL BEARING 6201 A2C3,32MM/OD	2	
046	999-05250-980	NEEDLE ROLLER 2.5X9.8	1	
		C08-03 ENGINE CASE/AIR CLEANER		
047	155-32970-81	CLEANER BODY COMP.	1	
048	403-04063-20	INLET MANIFOLD GASKET	1	
049	400-32970-20	INLET MANIFOLD SPACER	1	
050	391-01750-81	INLET MANIFOLD COMP.	1	
051	560-32970-90	ENGINE CASE ASS'Y	1	
052	562-04060-20	AIR VENT VALVE B	1	
053	431-32970-20	PLUS GUIDE	1	
054	629-01750-90	TANK INNER CAP ASS'Y	1	
057	994-63050-204	HEX.HOLE BOLT 5X20PS	4	
058	476-01700-20	BLOW OVER CHECK BOARD	1	
059	700-32970-20	CHOKE VALVE	1	
060	708-32350-20	CHOKE SHIM 0.8	2	
061	707-32970-20	CHOKE ROD RUBBER	1	
062	704-32970-80	CHOKE BUTTON COMP.	1	
064	190-3297U-20	ADJUSTER CAP	1	
065	191-32970-20	IDLE SPONGE 25L	1	
067	051-32970-90	CLEANER COVER SET	1	
068	380-0631A-20	CLEANER COVER BOLT	1	
069	421-01750-20	CLEANER ELEMENT	1	
070	994-61040-124	HEX. HOLE BOLT 4X12S	2	
071	990-73045-144	TAPPING SCREW 4.5X14	4	
073	994-16050-422	SCREW 5X42/WS	2	
074	994-63050-185	HEX. HOLE BOLT 5X18PS	1	
075	027-0630A-20	COLLAR	1	
077	992-00050-011	SMALL WASHER 5	1	
		C08-04 MUFFLER		
026	994-14050-401	SCREW 5X40/S	2	

027	992-01050-011	WASHER 5	2
028	704-01750-90	MUFFLER SET	1
029	717-01750-80	MUFFLER BODY B COMP.	1
030	724-01750-20	MUFFLER PIPE	1
031	739-01750-20	MUFFLER JOINT GASKET	1
032	716-01750-80	MUFFLER BODY A COMP.	1
033	737-01750-20	MUFFLER GASKET	1
		C08-05 FUEL LINE/OIL FILTER	
001	505-32710-20	OIL PIPE B	1
002	680-04019-21	CLIP 7	2
003	992-01050-011	WASHER 5	1
004	487-32712-20	OIL FILTER	1
005	486-32710-90	OIL FILTER BODY ASS'Y	1
010	497-32970-20	PIPE JOINT	1
011	442-25143-80	PRIMING PUMP COMP.	1
012	700-02504-09	FUEL PIPE 2.5X4X90	1
013	700-02504-21	FUEL PIPE 2.5X4X210	1
014	678-01750-20	RUBBER PIPE	1
016	222-01750-20	SHIELD TUBE	1
017	675-11600-90	PUMP FILTER BODY ASS'Y	1
035	635-72001-90	TANK CAP ASS'Y	1
037	630-3252K-20	TANK CAP GASKET	1
060	642-3252K-90	OIL TANK CAP ASS'Y	1
062	523-3252K-20	OIL TANK CAP GASKET	1
		C08-06 RECOIL STARTER	
000	756-0175D-90	S-STARTER ASS'Y	1
001	839-03045-20	SET SCREW	1
002	758-01761-20	DUMPER SPRING	1
003	774-01761-20	STARTER PULLY	1
004	783-01761-20	ROPE	1
005	778-01761-90	RECOIL SPRING CASE ASS'Y	1
012	145-01750-20	AIR DEFLECTOR	1
007	785-01761-20	STARTER HANDLE	1
008	157-32970-20	INTAKE CHANGE LEVER	1
009	112-0175D-80	FAN CASE (S-START)	1
010	990-72045-204	TAPPING SCREW 4.5X20	4
011	129-01750-20	SEAL COVER	1
012	145-01750-20	AIR DEFLECTOR	1
014	759-0174M-20	CAM PLATE	1
015	795-04063-20	ROPE STOPPER	1
016	990-73045-144	TAPPING SCREW 4.5X14	1
		C08-07 CARBURETOR	
000	455-25306-90	CARBURETOR ASS'Y WT553	1
002	578-25007-20	INLET SCREEN	1
003	575-25006-20	PUMP BODY	1
004	514-25001-20	SET SCREW	1
005	577-25007-20	PUMP GASKET	1
006	576-25006-20	PUMP DIAPHRAGM	1
009	473-25001-20	VALVE HINGE	1
010	546-25001-20	HINGE PIN SET SCREW	1
011	477-25080-20	VALVE SPRING	1
012	605-25001-20	HINGE PIN	1
013	476-25004-20	DIAPHRAGM COVER	1
014	474-25001-80	METERING DIAPHRAGM COMP.	# 1
015	475-25038-20	DIAPHRAGM GASKET	1
016	603-25012-20	NEEDLE VALVE	# 1
021	463-25006-20	IDLE ADJUST SPRING	1
022	462-25016-20	IDLE ADJUST SCREW	1
025	548-25012-20	SET SCREW	4
		C08-08 OIL PUMP	
008	994-16050-141	SCREW 5X14/WS	2
011	097-32970-20	OIL PUMP COVER	1
012	515-32710-20	OIL PIPE A	1
013	084-32900-20	SCREW GEAR	1
014	567-01750-20	AIRVENT SPONGE	1

015	144-32970-90	OIL PUMP ASS'Y	1
016	488-32970-20	OIL ADJUST GROMMET	1
017	501-32710-21	OIL PUMP ADJUSTER	1
018	999-67006-000	O-RING P-6	1
019	088-3277A-91	OIL PUMP CASE SET, SPARE	1
020	999-67006-000	O-RING P-6	1
036	990-72050-144	TAPPING SCREW 5X14	1
038	700-07105-02	VINYL PIPE 7X10.5X20	1
039	125-32710-20	CHAIN CATCHER	1
042	990-75045-144	TAPPING SCREW 4.5X14	2
		C08-09 CLUTCH/CHAIN BRAKE	
002	121-32530-20	CHAIN BAR CLAMP NUT	2
004	287-01700-81	CLUTCH COMP.	1
005	999-62101-301	NEEDLE BRG 101310 1.5X7.5	1
006	310-32710-20	CLUTCH HOUSING	1
007	358-04050-20	CLUTCH WASHER	1
021	345-01700-20	CLUTCH SHOE	2
022	346-01700-20	CLUTCH BOSS	1
023	342-01700-20	CLUTCH SPRING	2
024	348-01700-21	CLUTCH PLATE A	2
025	992-74004-143	RIVET 4X14	2
031	993-41040-101	SCREW 4X10	1
032	461-32908-20	GUIDE PLATE A	1
037	511-32900-20	CRANKSHAFT COLLAR 7.7	1
045	993-41040-101	SCREW 4X10	1
046	040-32970-91	SIDE CASE ASS'Y	1
047	462-32911-21	GUIDE PLATE B	1
048	993-30026-050	SCREW 2.6X5	1
049	365-32911-80	BRAKE HANDLE, BLACK	1
050	116-32911-80	TENSIONER BOLT COMP.	1
051	301-72000-20	GEAR A	1
052	375-32900-21	BRAKE LINK COVER, BLACK	1
054	374-32970-20	BRAKE SPRING	1
055	386-32901-80	BRAKE LINK SUPPORT COMP.	1
056	999-05300-980	NEEDLE ROLLER 3X9.8	1
057	379-32901-80	BRAKE LINK COMP.	1
058	378-3291R-20	BRAKE BAND	1
059	470-10246-20	CLEANER FIXING COLLAR	1
060	031-32901-20	COLLAR 7	1
061	039-32970-81	SIDE CASE COVER	1
062	388-32900-20	BLAKE LEVER SPRING	1
063	993-41040-151	HI-LO SCREW 4X15	3
		C08-10 HANDLE	
006	990-73050-354	TAPPING SCREW 5X35	2
009	470-10246-20	CLEANER FIXING COLLAR	2
010	244-32970-80	DAMPER COMP.	3
011	990-73050-404	TAPPING SCREW 5X40	1
012	275-32970-20	DAMPER COLLAR A	1
015	990-73050-164	TAPPING SCREW 5X16	2
016	011-32970-80	REAR HANDLE B	1
017	725-32161-20	PUSH PIN CAP	1
018	066-32300-20	STOPPER SPRING	1
020	064-32530-20	PUSH PIN	1
026	257-32910-20	SAFETY LEVER	1
027	060-32970-20	THROTTLE LEVER	1
028	061-32710-20	THROTTLE LEVER SPRING	1
033	010-32970-20	REAR HANDLE	1
039	993-41040-151	HI-LO SCREW 4X15	3
041	209-32970-20	FRONT HANDLE	1
042	274-01750-80	CORD W 180M	1
043	178-01751-80	CORD 325L	1
044	170-04063-80	STOP SWITCH COMP.	1
045	885-01750-80	THROTTLE WIRE COMP.	1
046	198-11600-80	CORD CLAMP COMP.	1
047	563-32970-20	ENGINE CASE COVER	1

048	990-73045-144	TAPPING SCREW 4.5X14	2
		C08-11 COVER/CHAIN/CHAIN BAR	
001	013-2932350	COMBI. BOX SPANNER 10X19 MINUS	1
006	081-29329-7U	4X50 MINUS DRIVER	1
007	460-32970-20	SPIKE	1
008	990-72050-144	TAPPING SCREW 5X14	2
040	128-32911-20	CHAIN 12 X3/8 ,	1
041	109-72900-20	CHAIN BAR 12 3/8	1
050	129-32900-20	CHAIN 14 X3/8 ,	1
051	108-72910-20	CHAIN BAR 14 3/8	1
064	943-32713-20	CHAIN COVER 12	1
065	946-32753-20	CHAIN COVER 14	1
		C08-12 DECALS	
001	906-72102-21	NAME PLATE CS35EH(S)	1
002	909-72101-20	CAUTION MARK	1
003	915-72102-21	STARTER MARK CS35EH(S)	1
004	906-72101-21	NAME PLATE CS30EH(S)	1
005	915-72101-21	STARTER MARK CH30EH(S)	1
		===== END OF DATA =====	

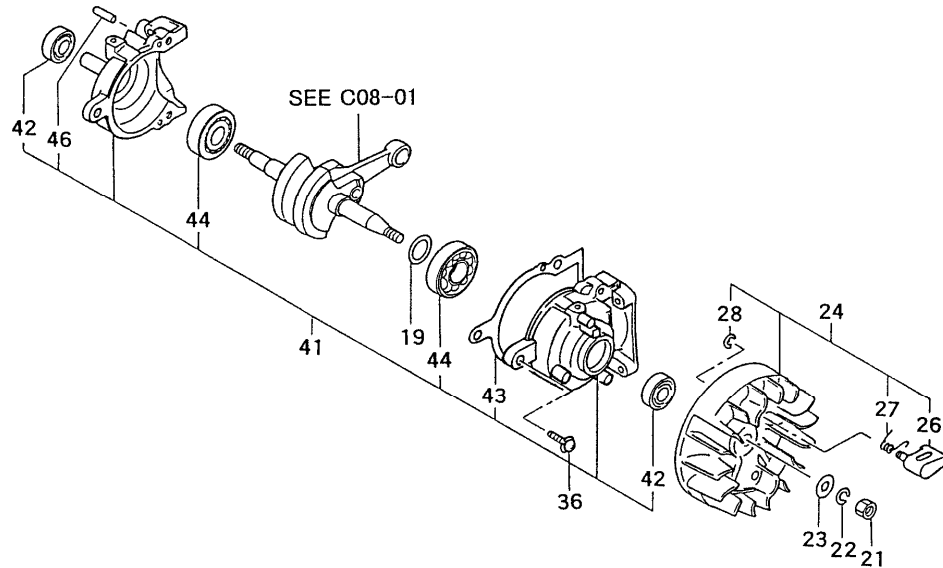
C08-01 CS30EH(S)/35EH(S)CYLINDER/PISTON/CRANK SHAF



REF. NUMBER	PARTS NUMBER	PARTS DESCRIPTION	Q'TY	SERIAL NUMBER
001	157-11666-90	SPARK PLUG CAP ASS'Y	1	
002	018-00555-20	SPARK PLUG, RCJ8Y	1	
006	001-01750-90	CYLINDER SET	1	
007	994-61050-184	HEX. HOLE BOLT 5X18/S	4	
009	017-01750-20	CYLINDER GASKET	1	
010	041-04000-20	PISTON RING	2	
011	030-01750-90	PISTON SET, SPARE	1	
012	037-01400-20	PISTON PIN	1	
013	039-00000-20	PISTON PIN CIRCLIP	2	
016	046-01751-80	CRANK SHAFT COMP.	1	
017	999-62091-325	NEEDLE BRG F-910 1.4X8.5	1	
018	068-10100-20	WOOD-RUFF KEY 3X13X4.8	1	
031	994-16040-186	HIGH TENSION SCREW 4X	2	
032	167-20555-80	IGNITION COIL COMP.	1	
033	178-20555-20	HIGHTENSION SION CORD	1	
034	560-20517-20	RUBBER CAP	1	
035	167-20555-90	IGNITION COIL ASS'Y	1	
066	755-32050-20	CORD INSULATOR TUBE	1	

C08-02

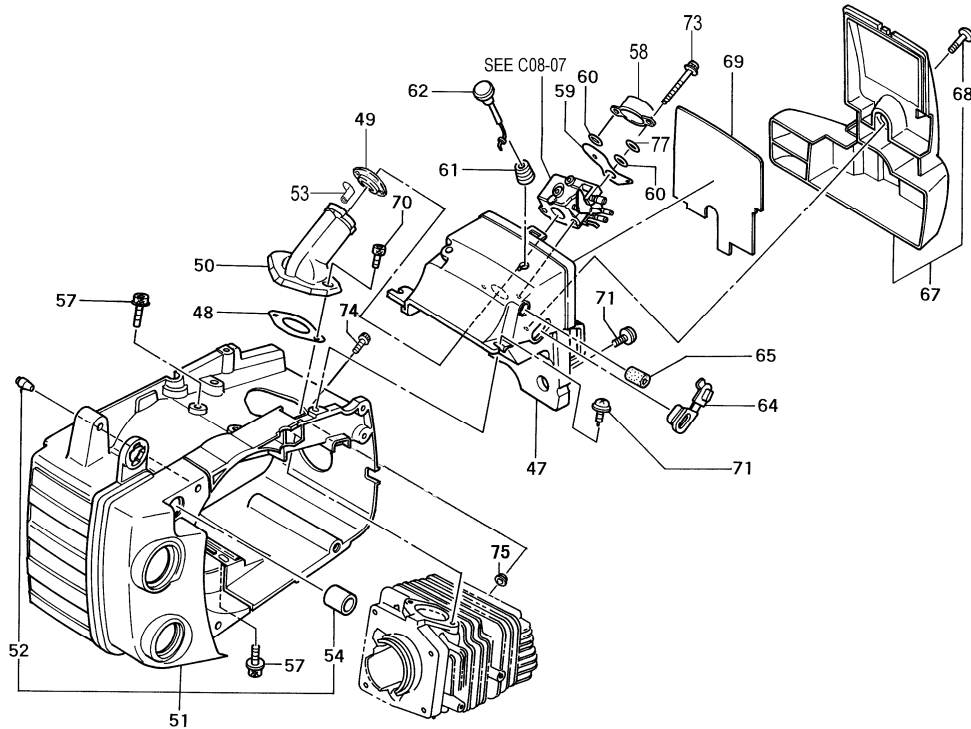
CS30EH(S)/35EH(S) CRANK CASE



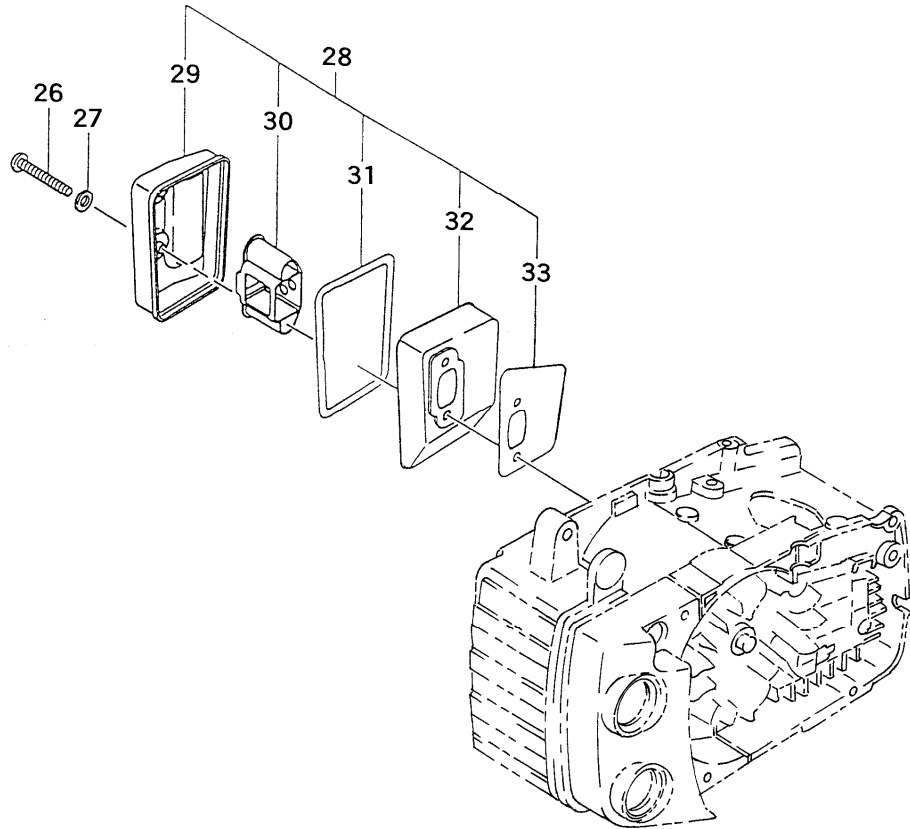
REF. NUMBER	PARTS NUMBER	PARTS DESCRIPTION	Q'TY	SERIAL NUMBER
019	071-04063-21	SHIM 0.1	V	
019	071-04063-23	SHIM 0.2	V	
019	071-04063-24	SHIM 0.3	V	
021	066-00000-20	FLYWHEEL NUT 12	1	
022	992-10070-012	S.WASHER 7	1	
023	992-01070-011	WASHER 7	1	
024	155-20544-90	MAGNET ROTOR ASS'Y	1	
026	788-01740-20	STARTER PAWL	2	
027	790-01740-20	STARTER PAWL SPRING	2	
028	993-55040-001	STOP RING	2	
036	994-61050-204	HEX. HOLE BOLT 5X20/S	3	
041	072-01750-90	CRANK CASE ASS'Y	1	
042	999-66122-200	OIL SEAL TB 12227	2	
043	090-01750-20	CRANK CASE GASKET	1	
044	999-61620-106	BALL BEARING 6201 A2C3,	2	
046	999-05250-980	NEEDLE ROLLER 2.5X9.8	1	

C08-03

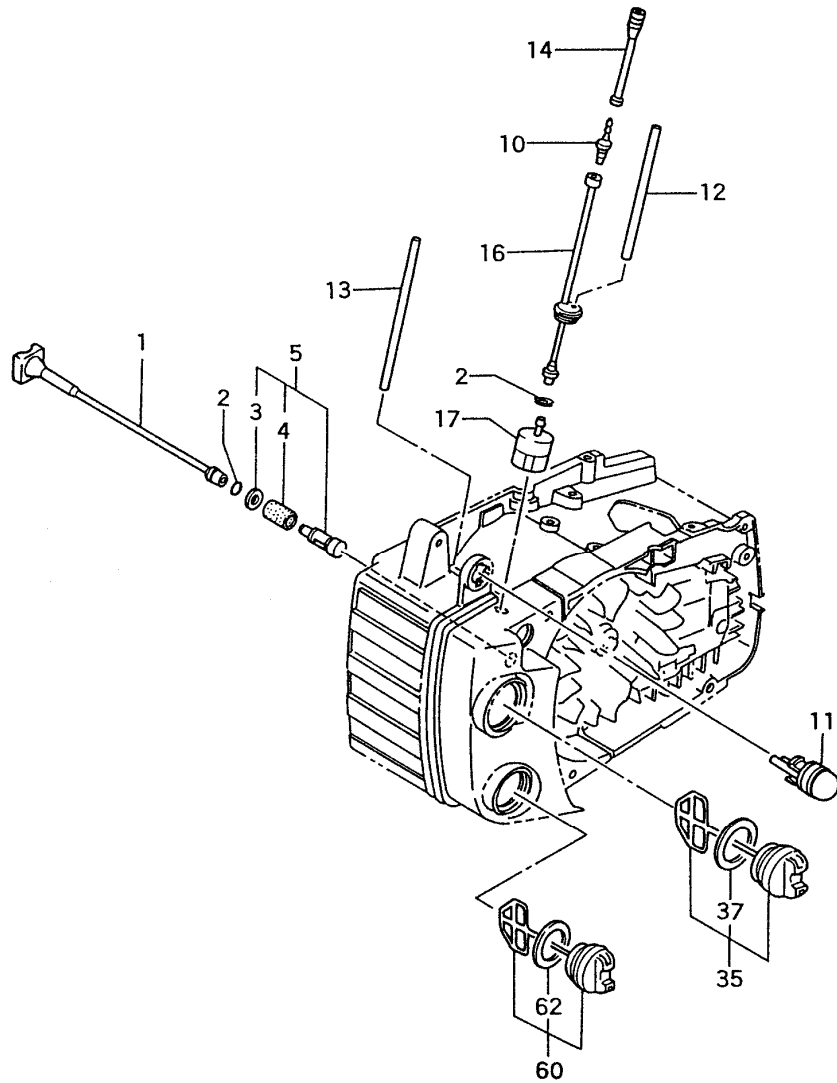
CS30EH(S)/35EH(S) ENGINE CASE/AIR CLEA/



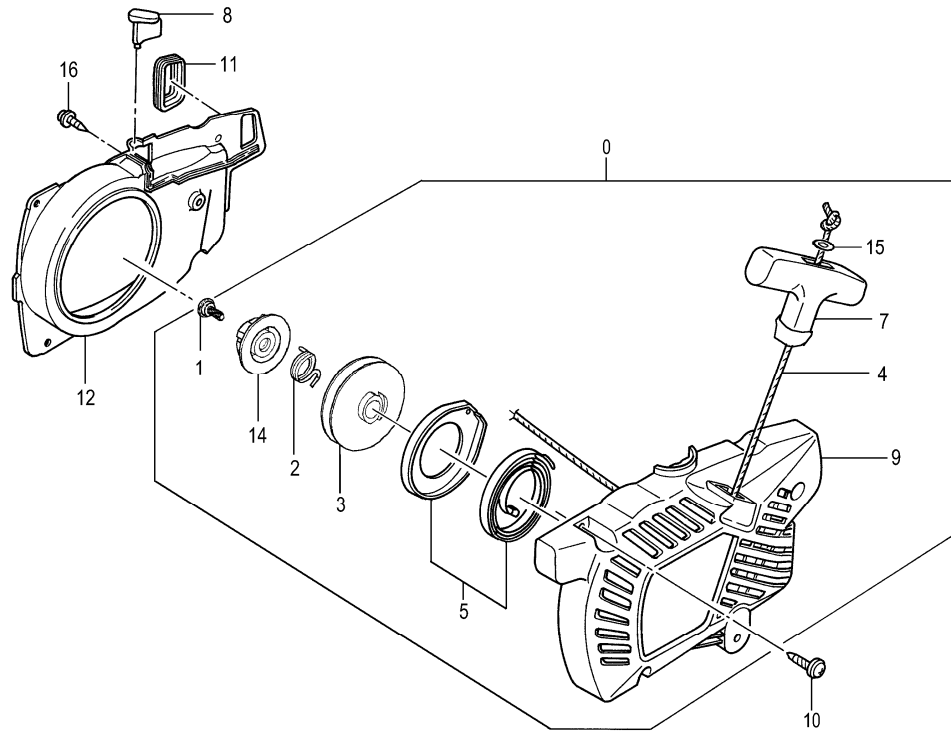
REF. NUMBER	PARTS NUMBER	PARTS DESCRIPTION	Q'TY	SERIAL NUMBER
047	155-32970-81	CLEANER BODY COMP.	1	
048	403-04063-20	INLET MANIFOLD GASKET	1	
049	400-32970-20	INLET MANIFOLD SPACER	1	
050	391-01750-81	INLET MANIFOLD COMP.	1	
051	560-32970-90	ENGINE CASE ASS'Y	1	
052	562-04060-20	AIR VENT VALVE B	1	
053	431-32970-20	PLUS GUIDE	1	
054	629-01750-90	TANK INNER CAP ASS'Y	1	
057	994-63050-204	HEX.HOLE BOLT 5X20PS	4	
058	476-01700-20	BLOW OVER CHECK BOAR	1	
059	700-32970-20	CHOKE VALVE	1	
060	708-32350-20	CHOKE SHIM 0.8	2	
061	707-32970-20	CHOKE ROD RUBBER	1	
062	704-32970-80	CHOKE BUTTON COMP.	1	
064	190-3297U-20	ADJUSTER CAP	1	
065	191-32970-20	IDLE SPONGE 25L	1	
067	051-32970-90	CLEANER COVER SET	1	
068	380-0631A-20	CLEANER COVER BOLT	1	
069	421-01750-20	CLEANER ELEMENT	1	
070	994-61040-124	HEX. HOLE BOLT 4X12S	2	
071	990-73045-144	TAPPING SCREW 4.5X14	4	
073	994-16050-422	SCREW 5X42/WS	2	
074	994-63050-185	HEX. HOLE BOLT 5X18PS	1	
075	027-0630A-20	COLLAR	1	
077	992-00050-011	SMALL WASHER 5	1	

C08-04**CS30EH(S)/35EH(S) MUFFLER**

REF. NUMBER	PARTS NUMBER	PARTS DESCRIPTION	Q'TY	SERIAL NUMBER
026	994-14050-401	SCREW 5X40/S	2	
027	992-01050-011	WASHER 5	2	
028	704-01750-90	MUFFLER SET	1	
029	717-01750-80	MUFFLER BODY B COMP.	1	
030	724-01750-20	MUFFLER PIPE	1	
031	739-01750-20	MUFFLER JOINT GASKET	1	
032	716-01750-80	MUFFLER BODY A COMP.	1	
033	737-01750-20	MUFFLER GASKET	1	

C08-05**CS30EH(S)/35EH(S) FUEL LINE/OIL FILTER**

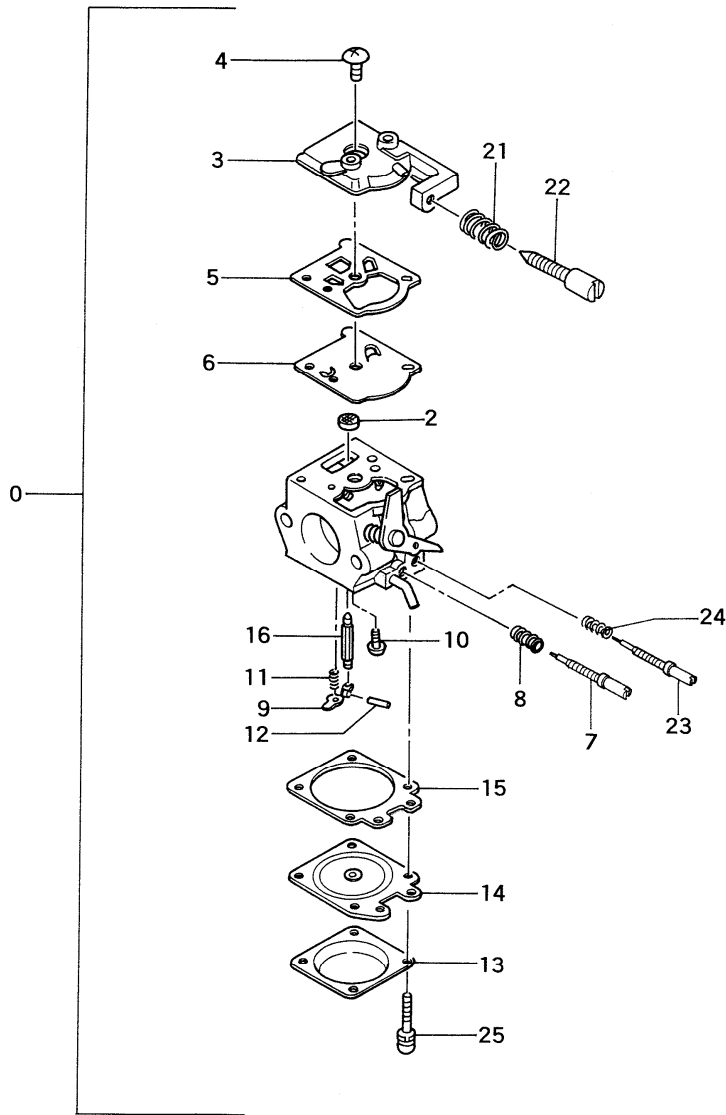
REF. NUMBER	PARTS NUMBER	PARTS DESCRIPTION	Q'TY	SERIAL NUMBER
001	505-32710-20	OIL PIPE B	1	
002	680-04019-21	CLIP 7	2	
003	992-01050-011	WASHER 5	1	
004	487-32712-20	OIL FILTER	1	
005	486-32710-90	OIL FILTER BODY ASS'Y	1	
010	497-32970-20	PIPE JOINT	1	
011	442-25143-80	PRIMING PUMP COMP.	1	
012	700-02504-09	FUEL PIPE 2.5X4X90	1	
013	700-02504-21	FUEL PIPE 2.5X4X210	1	
014	678-01750-20	RUBBER PIPE	1	
016	222-01750-20	SHIELD TUBE	1	
017	675-11600-90	PUMP FILTER BODY ASS'Y	1	
035	635-72001-90	TANK CAP ASS'Y	1	
037	630-3252K-20	TANK CAP GASKET	1	
060	642-3252K-90	OIL TANK CAP ASS'Y	1	
062	523-3252K-20	OIL TANK CAP GASKET	1	

C08-06**CS30EH(S)/35EH(S) RECOIL STARTER**

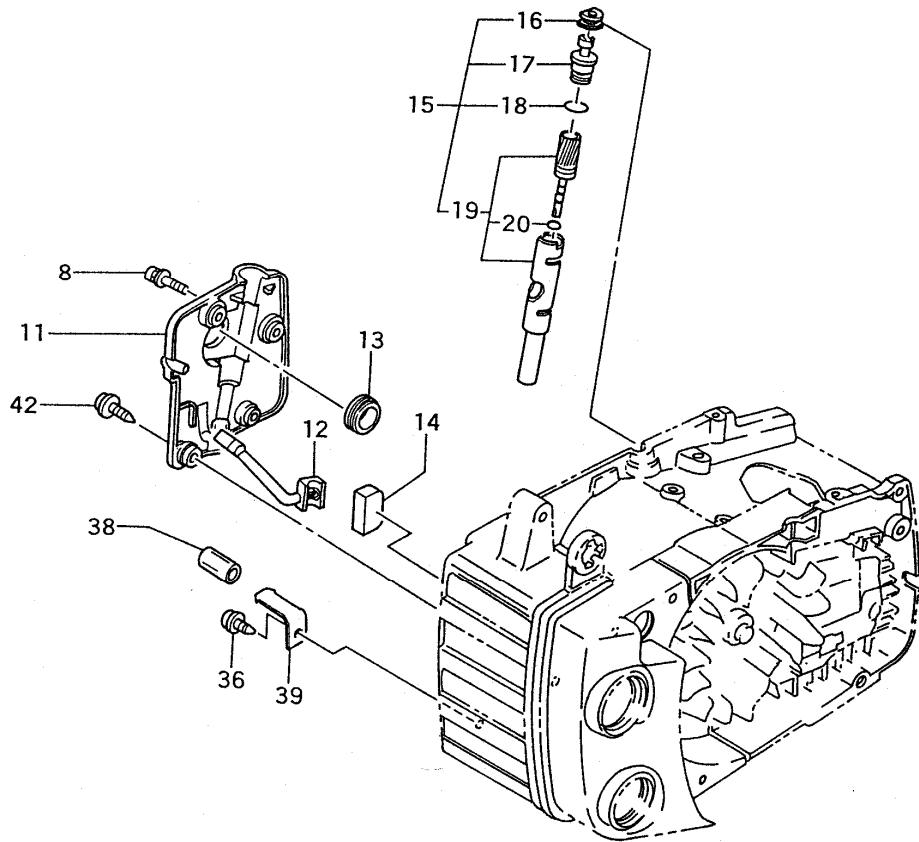
REF. NUMBER	PARTS NUMBER	PARTS DESCRIPTION	Q'TY	SERIAL NUMBER
000	756-0175D-90	S-STARTER ASS'Y	1	
001	839-03045-20	SET SCREW	1	
002	758-01761-20	DUMPER SPRING	1	
003	774-01761-20	STARTER PULLEY	1	
004	783-01761-20	ROPE	1	
005	778-01761-90	RECOIL SPRING CASE ASS	1	
012	145-01750-20	AIR DEFLECTOR	1	
007	785-01761-20	STARTER HANDLE	1	
008	157-32970-20	INTAKE CHANGE LEVER	1	
009	112-0175D-80	FAN CASE (S-START)	1	
010	990-72045-204	TAPPING SCREW 4.5X20	4	
011	129-01750-20	SEAL COVER	1	
012	145-01750-20	AIR DEFLECTOR	1	
014	759-0174M-20	CAM PLATE	1	
015	795-04063-20	ROPE STOPPER	1	
016	990-73045-144	TAPPING SCREW 4.5X14	1	

C08-07

CS30EH(S)/35EH(S) CARBURETOR



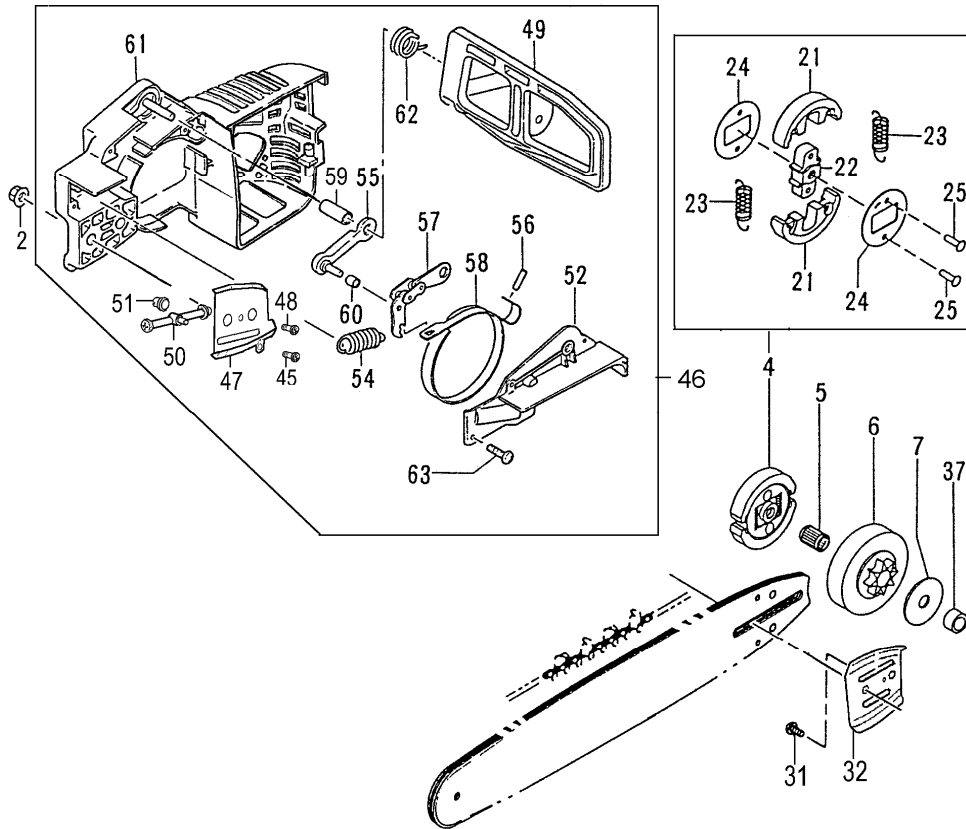
REF. NUMBER	PARTS NUMBER	PARTS DESCRIPTION	Q'TY	SERIAL NUMBER
000	455-25306-90	CARBURETOR ASS'Y WT58	1	
002	578-25007-20	INLET SCREEN	1	
003	575-25006-20	PUMP BODY	1	
004	514-25001-20	SET SCREW	1	
005	577-25007-20	PUMP GASKET	1	
006	576-25006-20	PUMP DIAPHRAGM	1	
009	473-25001-20	VALVE HINGE	1	
010	546-25001-20	HINGE PIN SET SCREW	1	
011	477-25080-20	VALVE SPRING	1	
012	605-25001-20	HINGE PIN	1	
013	476-25004-20	DIAPHRAGM COVER	1	
014	474-25001-80	METERING DIAPHRAGM CO	1	
015	475-25038-20	DIAPHRAGM GASKET	1	
016	603-25012-20	NEEDLE VALVE	# 1	
021	463-25006-20	IDLE ADJUST SPRING	1	
022	462-25016-20	IDLE ADJUST SCREW	1	
025	548-25012-20	SET SCREW	4	

C08-08**CS30EH(S)/35EH(S) OIL PUMP**

REF. NUMBER	PARTS NUMBER	PARTS DESCRIPTION	Q'TY	SERIAL NUMBER
008	994-16050-141	SCREW 5X14/WS	2	
011	097-32970-20	OIL PUMP COVER	1	
012	515-32710-20	OIL PIPE A	1	
013	084-32900-20	SCREW GEAR	1	
014	567-01750-20	AIRVENT SPONGE	1	
015	144-32970-90	OIL PUMP ASS'Y	1	
016	488-32970-20	OIL ADJUST GROMMET	1	
017	501-32710-21	OIL PUMP ADJUSTER	1	
018	999-67006-000	O-RING P-6	1	
019	088-3277A-91	OIL PUMP CASE SET, SPAR	1	
020	999-67006-000	O-RING P-6	1	
036	990-72050-144	TAPPING SCREW 5X14	1	
038	700-07105-02	VINYL PIPE 7X10.5X20	1	
039	125-32710-20	CHAIN CATCHER	1	
042	990-75045-144	TAPPING SCREW 4.5X14	2	

C08-09

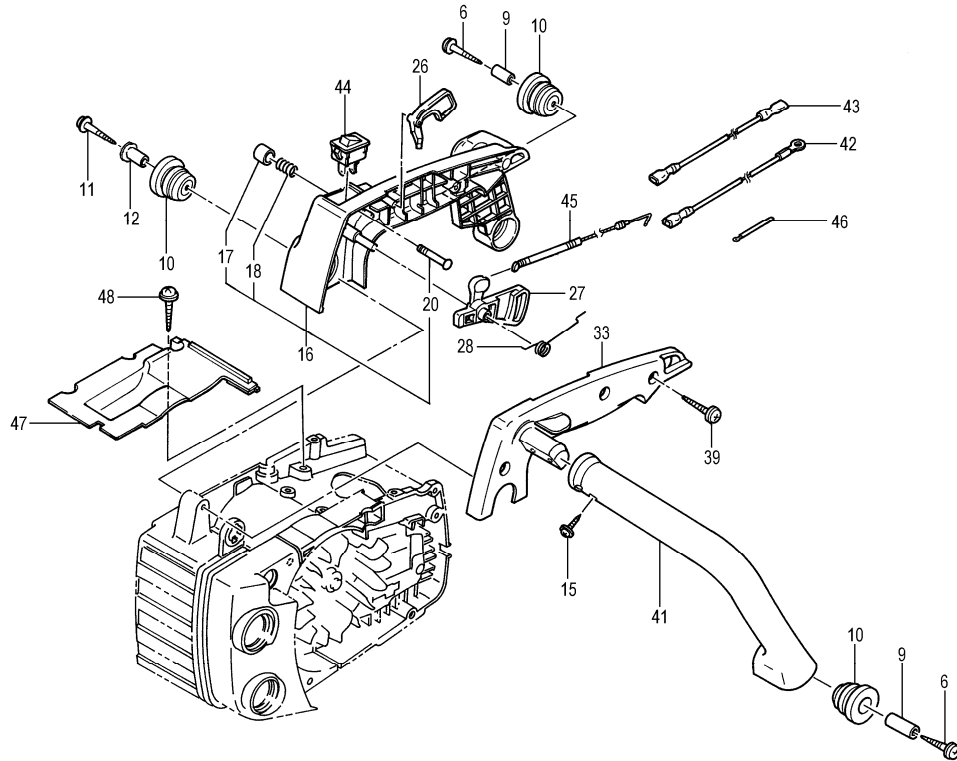
CS30EH(S)/35EH(S) CLUTCH/CHAIN BRAKE



REF. NUMBER	PARTS NUMBER	PARTS DESCRIPTION	Q'TY	SERIAL NUMBER
002	121-32530-20	CHAIN BAR CLAMP NUT	2	
004	287-01700-81	CLUTCH COMP.	1	
005	999-62101-301	NEEDLE BRG 101310 1.5X7	1	
006	310-32710-20	CLUTCH HOUSING	1	
007	358-04050-20	CLUTCH WASHER	1	
021	345-01700-20	CLUTCH SHOE	2	
022	346-01700-20	CLUTCH BOSS	1	
023	342-01700-20	CLUTCH SPRING	2	
024	348-01700-21	CLUTCH PLATE A	2	
025	992-74004-143	RIVET 4X14	2	
031	993-41040-101	SCREW 4X10	1	
032	461-32908-20	GUIDE PLATE A	1	
037	511-32900-20	CRANKSHAFT COLLAR 7.7	1	
045	993-41040-101	SCREW 4X10	1	
046	040-32970-91	SIDE CASE ASS'Y	1	
047	462-32911-21	GUIDE PLATE B	1	
048	993-30026-050	SCREW 2.6X5	1	
049	365-32911-80	BRAKE HANDLE, BLACK	1	
050	116-32911-80	TENSIONER BOLT COMP.	1	
051	301-72000-20	GEAR A	1	
052	375-32900-21	BRAKE LINK COVER, BLAC	1	
054	374-32970-20	BRAKE SPRING	1	
055	386-32901-80	BRAKE LINK SUPPORT CO	1	
056	999-05300-980	NEEDLE ROLLER 3X9.8	1	
057	379-32901-80	BRAKE LINK COMP.	1	
058	378-3291R-20	BRAKE BAND	1	
059	470-10246-20	CLEANER FIXING COLLAR	1	
060	031-32901-20	COLLAR 7	1	
061	039-32970-81	SIDE CASE COVER	1	
062	388-32900-20	BLAKE LEVER SPRING	1	
063	993-41040-151	HI-LO SCREW 4X15	3	

C08-10

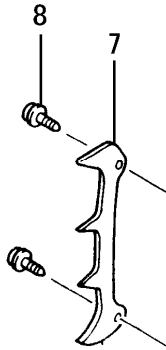
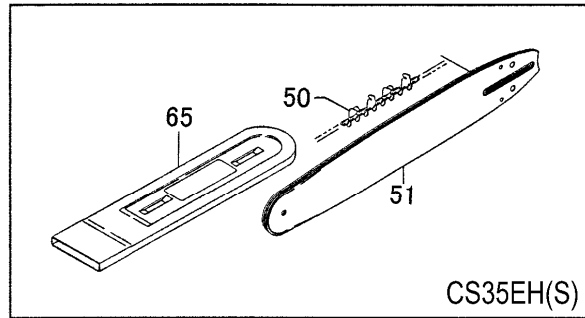
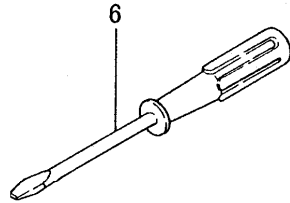
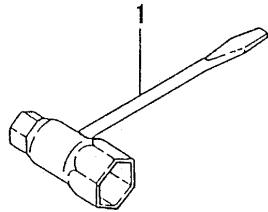
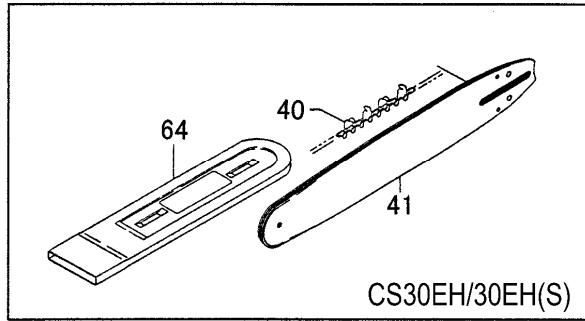
CS30EH(S)/35EH(S) HANDLE



REF. NUMBER	PARTS NUMBER	PARTS DESCRIPTION	Q'TY	SERIAL NUMBER
006	990-73050-354	TAPPING SCREW 5X35	2	
009	470-10246-20	CLEANER FIXING COLLAR	2	
010	244-32970-80	DAMPER COMP.	3	
011	990-73050-404	TAPPING SCREW 5X40	1	
012	275-32970-20	DAMPER COLLAR A	1	
015	990-73050-164	TAPPING SCREW 5X16	2	
016	011-32970-80	REAR HANDLE B	1	
017	725-32161-20	PUSH PIN CAP	1	
018	066-32300-20	STOPPER SPRING	1	
020	064-32530-20	PUSH PIN	1	
026	257-32910-20	SAFETY LEVER	1	
027	060-32970-20	THROTTLE LEVER	1	
028	061-32710-20	THROTTLE LEVER SPRING	1	
033	010-32970-20	REAR HANDLE	1	
039	993-41040-151	HI-LO SCREW 4X15	3	
041	209-32970-20	FRONT HANDLE	1	
042	274-01750-80	CORD W 180M	1	
043	178-01751-80	CORD 325L	1	
044	170-04063-80	STOP SWITCH COMP.	1	
045	885-01750-80	THROTTLE WIRE COMP.	1	
046	198-11600-80	CORD CLAMP COMP.	1	
047	563-32970-20	ENGINE CASE COVER	1	
048	990-73045-144	TAPPING SCREW 4.5X14	2	

C08-11

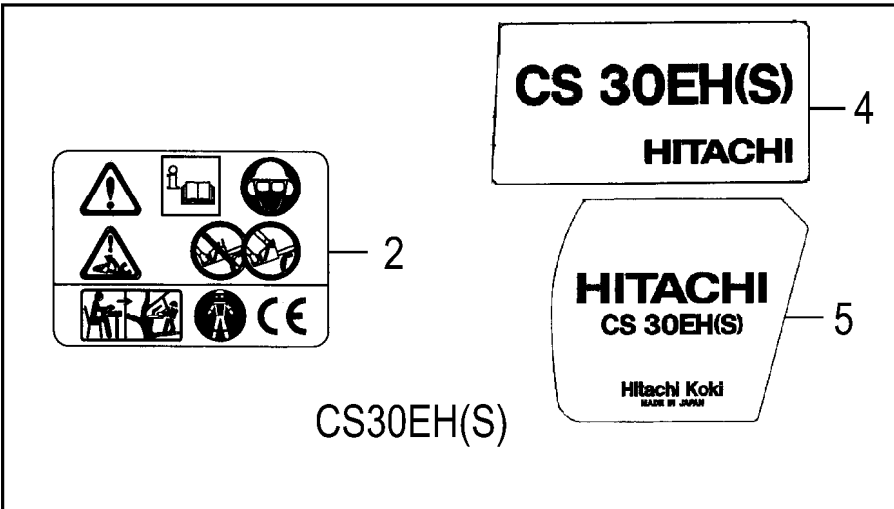
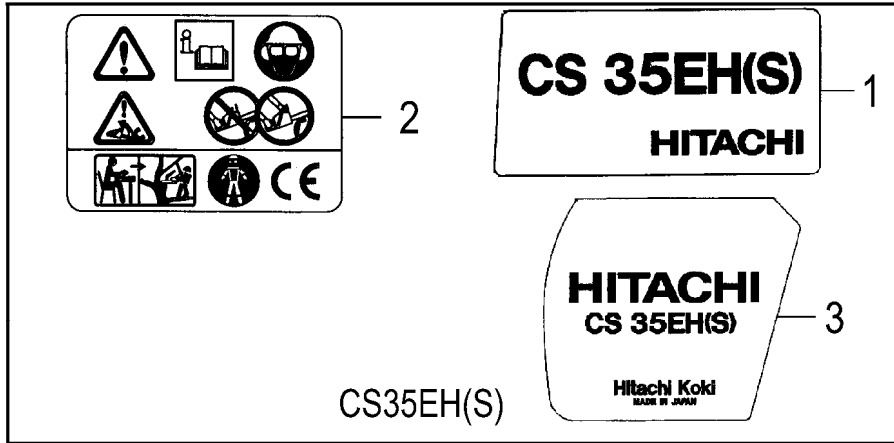
CS30EH(S)/35EH(S) COVER/CHAIN/CHAIN BAR



REF. NUMBER	PARTS NUMBER	PARTS DESCRIPTION	Q' TY	SERIAL NUMBER
001	013-2932350	COMBI. BOX SPANNER 10X	1	
006	081-29329-7U	4X50 MINUS DRIVER	1	
007	460-32970-20	SPIKE	1	
008	990-72050-144	TAPPING SCREW 5X14	2	
040	128-32911-20	CHAIN 12 X3/8 ,	1	
041	109-72900-20	CHAIN BAR 12 3/8	1	
050	129-32900-20	CHAIN 14 X3/8 ,	1	
051	108-72910-20	CHAIN BAR 14 3/8	1	
064	943-32713-20	CHAIN COVER 12	1	
065	946-32753-20	CHAIN COVER 14	1	

C08-12

CS30EH(S)/35EH(S) DECALS



REF. NUMBER	PARTS NUMBER	PARTS DESCRIPTION	Q' TY	SERIAL NUMBER
001	906-72102-21	NAME PLATE CS35EH(S)	1	
002	909-72101-20	CAUTION MARK	1	
003	915-72102-21	STARTER MARK CS35EH(S)	1	
004	906-72101-21	NAME PLATE CS30EH(S)	1	
005	915-72101-21	STARTER MARK CH30EH(S)	1	