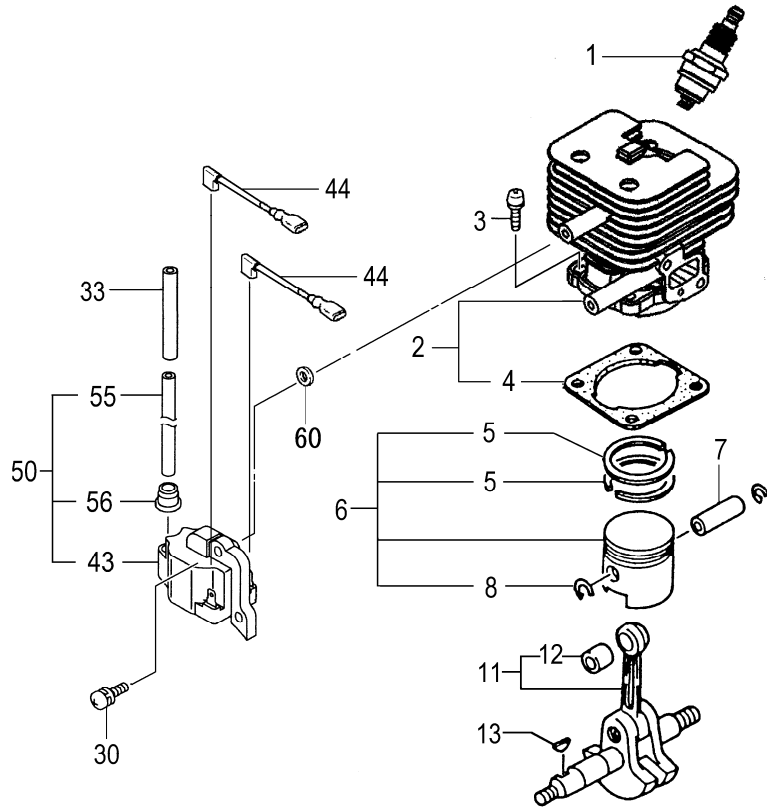
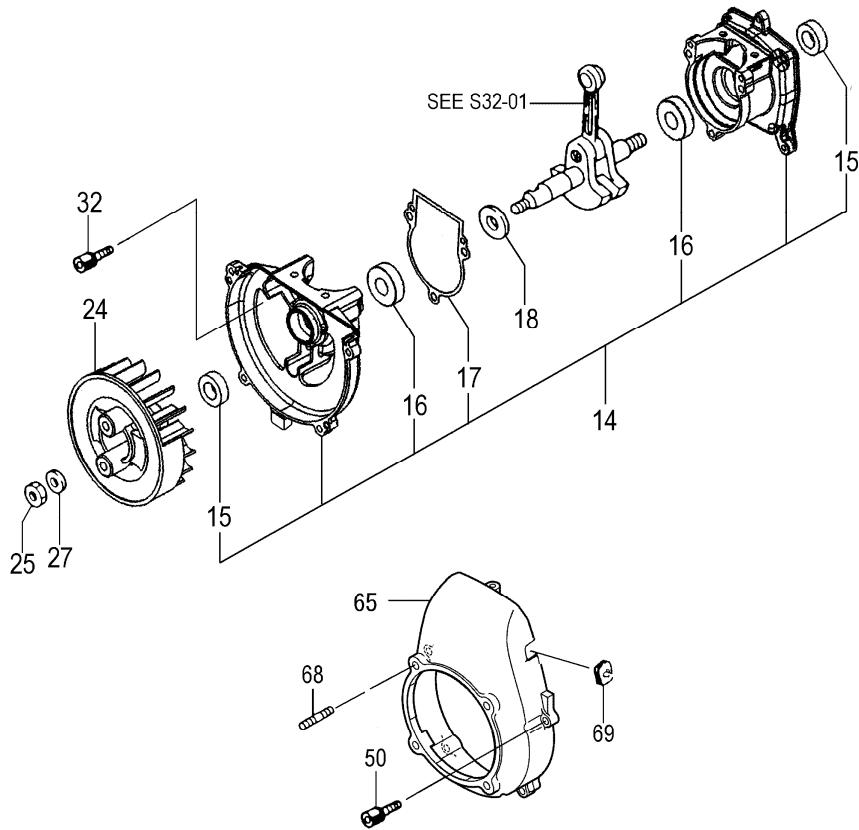


S32-01 DA200E(S) CYLINDER/PISTON/CRANK SHAFT



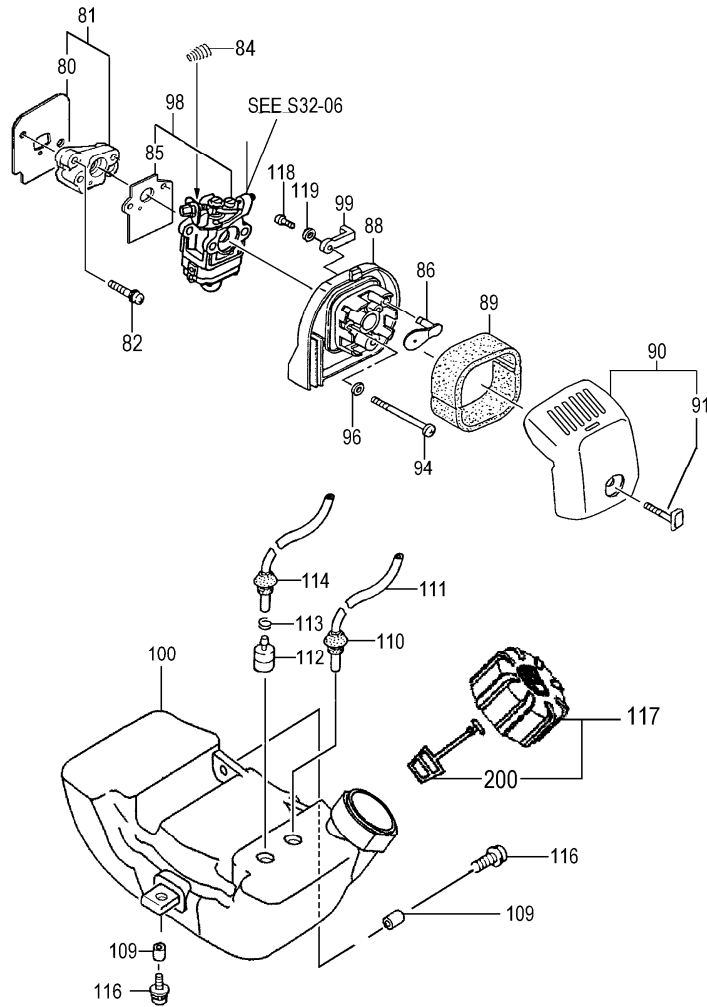
REF. NUMBER	PARTS NUMBER	DESCRIPTION	Q'TY	SERIAL NUMBER
001	018-04221-20	SPARK PLUG RCJ-6Y	1	
002	001-07031-91	CYLINDER SET	1	
003	994-61050-164	HEX. HOLE BOLT 5X16S	4	
004	017-07020-20	CYLINDER GASKET	1	
005	041-01730-20	PISTON RING	2	
006	030-07030-91	PISTON SET	1	
007	037-01400-20	PISTON PIN	1	
008	039-00000-20	PISTON PIN CIRCLIP	2	
011	046-0703A-81	CRANK SHAFT COMP	1	
012	999-62091-325	NEEDLE BRG F-910 1.4X8.5	1	
013	068-10100-20	WOOD-RUFF KEY 3X13X4.5	1	
030	994-64040-184	HEX. HOLE BOLT 4X18WS	2	
033	250-07020-20	INSULATOR TUBE, 110L	1	
043	167-20549-80	IGNITION COIL COMP	1	
044	178-0703B-80	STOP CORD B160M	2	
050	167-20549-91	IGNITION COIL ASS'Y	1	
055	178-20549-20	HIGH TENSION CORD 140L	1	
056	560-20517-20	RUBBER CAP	1	
060	182-0186A-20	WASHER	2	

S32-02 DA200E(S) CRANK CASE



REF. NUMBER	PARTS NUMBER	DESCRIPTION	Q'TY	SERIAL NUMBER
014	072-07020-90	CRANK CASE ASS'Y	1	
015	999-66122-200	OIL SEAL TB 12227	2	
016	999-61600-115	BALL BEARING 6001 C3	2	
017	090-07020-20	CRANK CASE GASKET	1	
018	330-00200-23	GEAR SHAFT SHIM 0.20	V	
018	330-00200-24	GEAR SHAFT SHIM 0.30	V	
024	155-20549-80	MAGNETO ROTOR COMP.	1	
025	991-01080-011	HEX. NUT 8	1	
027	992-00080-011	SMALL WASHER 8	1	
032	994-61050-164	HEX. HOLE BOLT 5X16S	3	
050	994-64050-184	HEX.HOLE BOLT 5X18/WS	4	
065	112-07032-20	FAN CASE	1	
068	100-04001-20	STUD BOLT 6X36	4	
069	203-11660-20	PRIMARY CORD GROMMET	1	

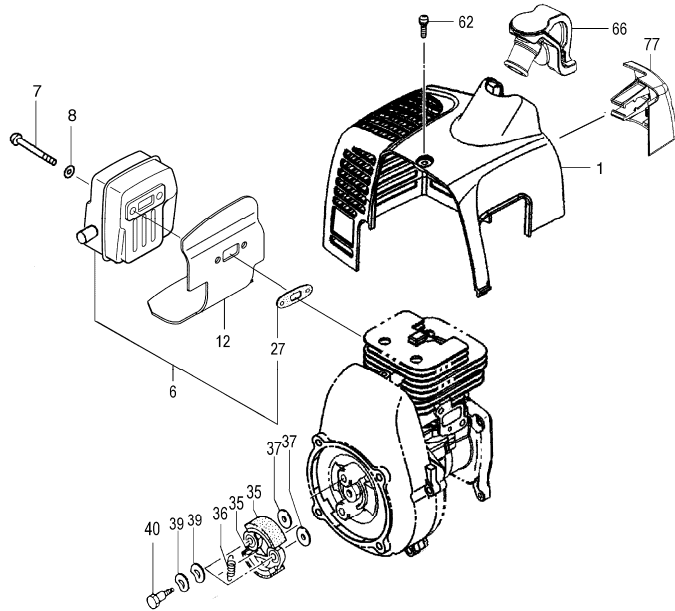
S32-03 DA200E(S) ENGINE-1



REF. NUMBER	PARTS NUMBER	DESCRIPTION	Q'TY	SERIAL NUMBER
080	403-0143C-21	INLET MANIFOLD GASKET	1	
081	404-0143C-90	CARBURETOR INSULATOR	1	
082	994-64050-224	HEX.HOLE BOLT 5X22/WS	2	
084	902-10243-20	WIRE RETURN SPRING	1	
085	402-0656A-20	CARBURETOR GASKET	1	
086	528-07020-22	CHOKE PLATE 1.0	1	
088	423-0652N-80	CLEANER BODY COMP.	1	
089	446-0652N-20	CLEANER SPONGE	1	
090	452-07035-90	CLEANER COVER ASS'Y	1	
091	450-07024-80	COVER FIXING BOLT	1	
094	994-14050-571	SCREW 5X57/S	2	
096	992-00050-011	SMALL WASHER 5	2	
098	455-0720A-90	CARBURETOR SET WYJ399	1	
099	523-0652N-20	CHOKE CONTROL LEVER	1	
100	591-07034-80	TANK COMP. OR	1	
109	659-00801-20	COLLAR 5.8	3	
110	222-06300-20	FUEL PIPE GROMMET	1	
111	700-03005-08	FUEL PIPE 3X5X80	1	
112	675-04042-80	PUMP FILTER BODY COMP.	1	
113	680-00731-20	CLIP, 6.3 DIA.	1	
114	223-0162V-90	FUEL PIPE ASS'Y	1	
116	994-63050-164	HEX.HOLE BOLT 5X16/PS	3	
117	595-01690-90	TANK CAP ASS'Y (BLACK)	1	
118	993-49040-142	TAP SCREW 4X14 P	1	
119	992-01040-011	WASHER 4	1	
200	626-32550-20	TANK CAP CHAIN	1	

S32-04

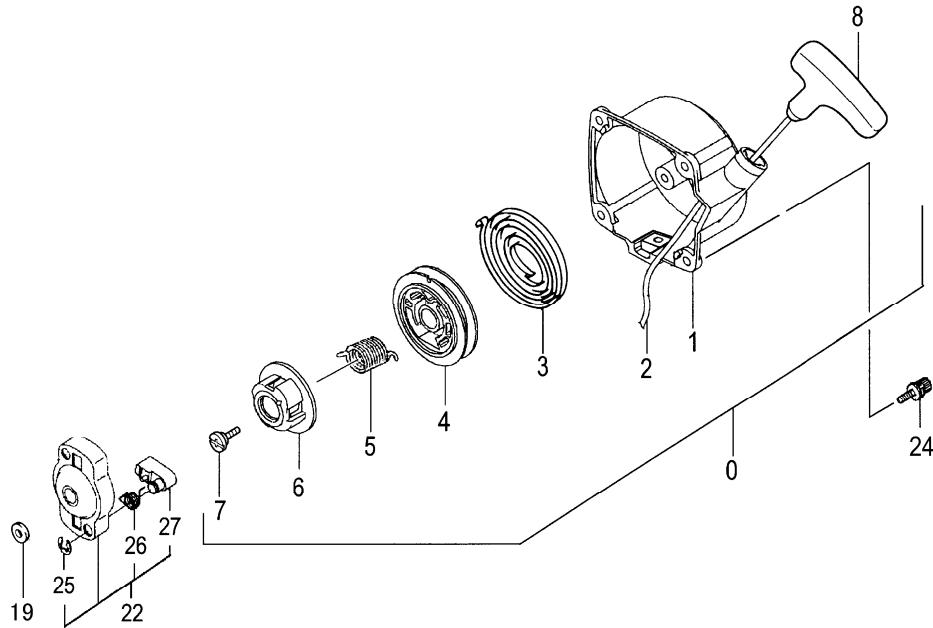
DA200E(S) ENGINE-2



REF. NUMBER	PARTS NUMBER	DESCRIPTION	Q'TY	SERIAL NUMBER
001	738-07031-20	MUFFLER PROTECTOR	1	
006	704-0720A-90	MUFFLER SET	1	
007	990-51060-553	HEX HOLE BOLT 6X55	2	
008	992-01060-011	WASHER 6	2	
012	133-07020-21	HEAT SHIELD	1	
027	737-0165A-20	MUFFLER GASKET	1	
035	290-0138A-80	CLUTCH ARM COMP.	2	
036	342-0138A-20	CLUTCH SPRING	1	
037	359-10112-20	CLUTCH WASHER B	2	
039	992-04100-030	WAVE WASHER 10	4	
040	357-0136U-20	CLUTCH STEP BOLT	2	
062	994-63040-154	HEX.HOLE BOLT 4X15/PS	1	
066	157-0720A-90	SPARK PLUG CAP ASS'Y	1	
077	132-0720A-20	DEFLECTOR	1	

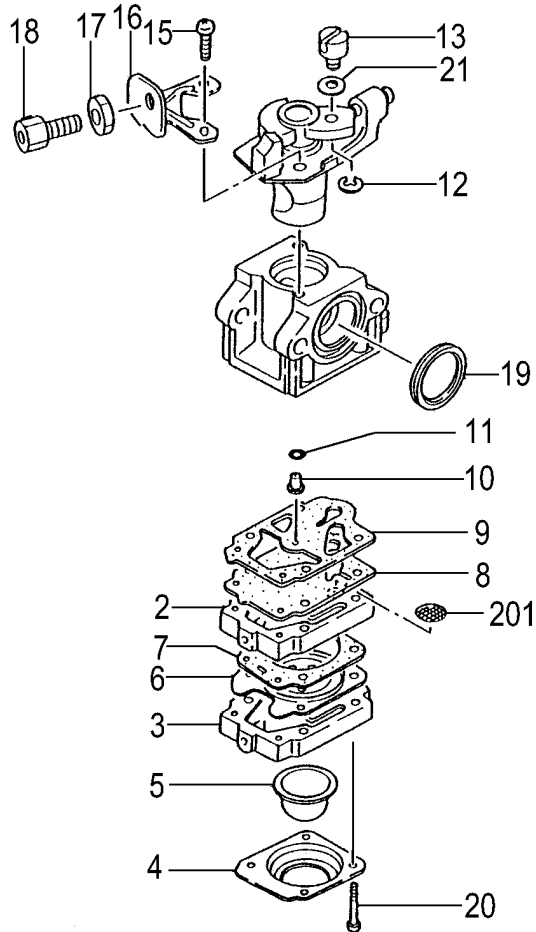
S32-05

DA200E(S) RECOIL STARTER



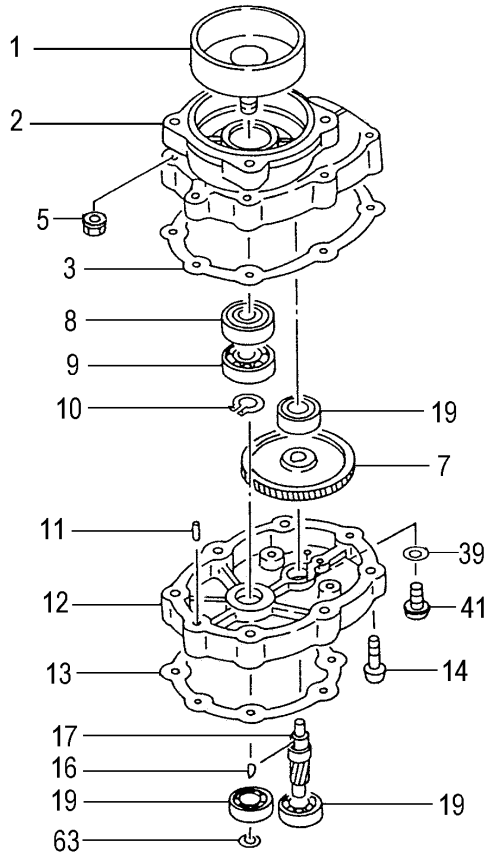
REF. NUMBER	PARTS NUMBER	DESCRIPTION	Q'TY	SERIAL NUMBER
000	762-0720F-90	RECOIL STARTER BODY AS	1	
001	772-0720F-80	RECOIL STARTER BODY CO	1	
002	783-0720F-20	STARTER ROPE 3.5X860	1	
003	780-06097-20	RECOIL SPRING	1	
004	774-0720F-20	STARTER ROPE REEL	1	
005	758-0720F-20	DAMPER SPRING	1	
006	759-0651H-20	CAM PLATE	1	
007	839-03045-20	SET SCREW	1	
008	785-03045-20	STARTER HANDLE	1	
010	994-63040-205	HEX HOLE BOLT 4X20PS	1	
019	359-10112-20	CLUTCH WASHER B	1	
022	798-0651H-90	STARTER PULLEY ASS'Y	1	
024	994-63040-205	HEX HOLE BOLT 4X20PS	4	
025	993-55050-000	STOP RING E-5	2	
026	790-06097-20	STARTER PAWL SPRING	2	
027	788-0651H-20	STARTER PAWL	2	

S32-06 DA200E(S) CARBURETOR



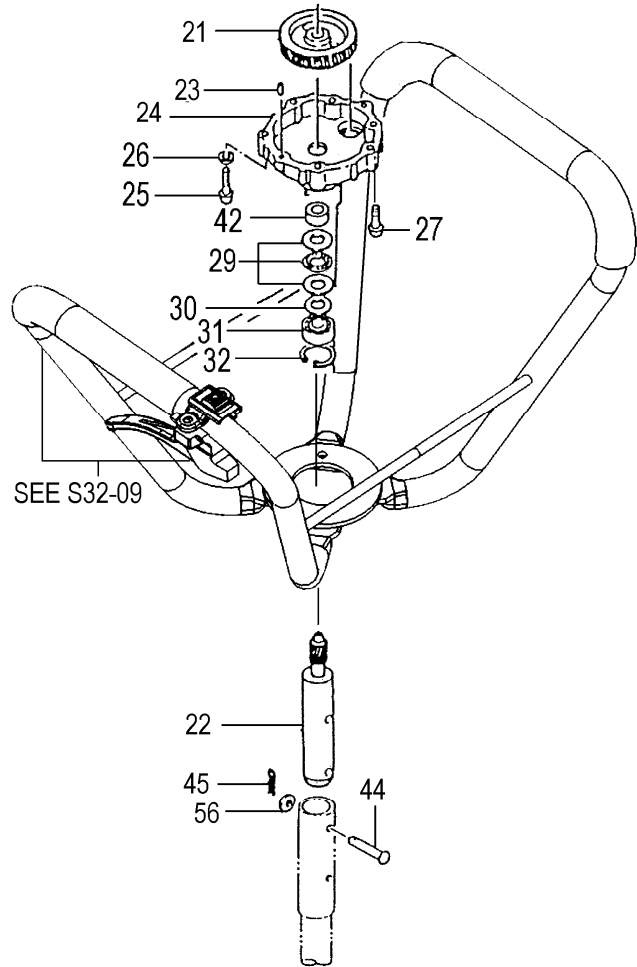
REF. NUMBER	PARTS NUMBER	DESCRIPTION	Q'TY	SERIAL NUMBER
002	575-25153-80	PUMP BODY COMP	1	
003	442-25151-80	PRIMING PUMP COMP.	1	
004	476-25151-20	DIAPHRAGM COVER	1	
005	447-25108-20	PRIMING BODY	1	
006	474-25241-80	METERING DIAPHRAGM CO	1	
007	475-25153-20	DIAPHRAGM GASKET	1	
008	576-25100-20	PUMP DIAPHRAGM	1	
009	577-25100-20	PUMP GASKET	1	
010	599-2000W-43	MAIN JET #43	1	
011	550-25100-20	O-RING	1	
012	489-25100-20	STOP RING	1	
013	539-25120-20	SWIVEL	1	
015	514-25100-20	THROTTLE SET SCREW	2	
016	544-25164-20	CABLE ADJUSTER STAY	1	
017	613-25100-20	CABLE ADJUST NUT	1	
018	614-25245-20	CABLE ADJUSTER	1	
019	431-0634C-20	CLEANER PACKING	1	
020	548-25151-20	SET SCREW	4	
021	549-25165-20	THRUST WASHER	1	
201	578-25007-20	INLET SCREEN	1	

S32-07 DA200E(S) GEAR CASE-1



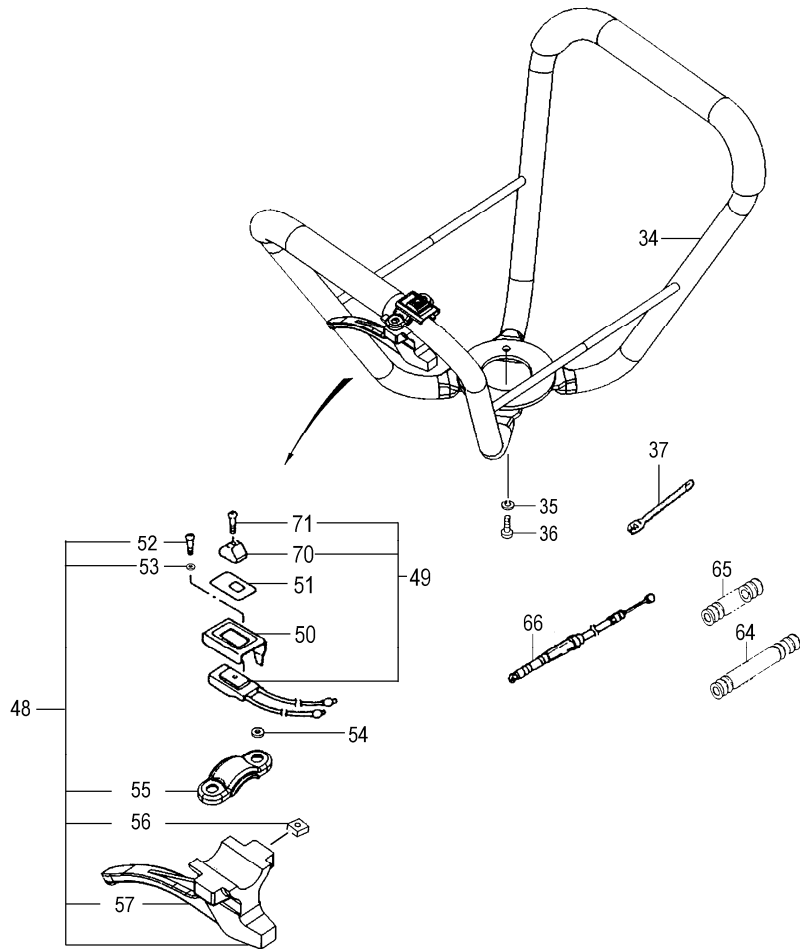
REF. NUMBER	PARTS NUMBER	DESCRIPTION	Q'TY	SERIAL NUMBER
001	226-32466-80	CLUTCH HOUSING COMP.	1	
002	200-32420-20	GEAR CASE A	1	
003	204-32401-20	GEAR CASE GASKET B	1	
005	994-40060-011	SPRING NUT 6	4	
007	221-32465-20	GEAR 2	1	
008	999-61620-202	BALL BEARING #6202Z, 35M	1	
009	999-61620-200	BALL BEARING #6202, 35MM	1	
010	993-50015-002	STOP RING C-15, OUTER	1	
011	999-05041-201	KNOCK PIN 4X12	2	
012	201-32401-20	GEAR CASE B	1	
013	205-32401-20	GEAR CASE GASKET C	1	
014	994-14050-301	SCREW 5X30/S	2	
016	068-11000-20	WOOD-RUFF KEY 3X13X5.0	1	
017	222-32465-20	GEAR 3	1	
019	999-61600-000	BALL BEARING #6000, 26MM	3	
039	992-01060-011	WASHER 6	1	
041	990-11060-081	SCREW 6X8	1	
063	993-50017-002	STOP RING C-17, OUTER	1	

S32-08 DA200E(S) GEAR CASE-2



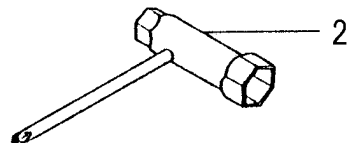
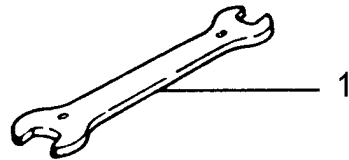
REF. NUMBER	PARTS NUMBER	DESCRIPTION	Q' TY	SERIAL NUMBER
021	223-32465-20	GEAR 4	1	
022	225-32465-20	DRIVE SHAFT	1	
023	999-05041-201	KNOCK PIN 4X12	2	
024	202-32465-20	GEAR CASE C	1	
025	990-11050-501	SCREW 5X50	4	
026	992-10050-012	S.WASHER 5	4	
027	994-14050-301	SCREW 5X30/S	2	
029	999-62203-572	THRUST BEARING 2035	1	
030	230-32465-20	GEAR SHAFT COLLAR A	1	
031	999-61690-401	BALL BEARING 6904ZZ C3	1	
032	993-51037-002	STOP RING C-37, INNER	1	
042	231-32465-20	GEAR SHAFT COLLAR B	1	
044	820-32203-20	PIN	2	
045	821-32203-20	SNAP PIN 8	2	
056	992-01080-011	WASHER 8	2	

S32-09 DA200E(S) HANDLE



REF. NUMBER	PARTS NUMBER	DESCRIPTION	Q' TY	SERIAL NUMBER
034	049-32475-90	HANDLE ASS'Y	1	
035	992-10060-012	S.WASHER 6	4	
036	990-23060-181	PLUS BOLT 6X18	4	
037	198-33130-20	CORD CLAMP	3	
048	870-32475-90	THROTTLE LEVER ASS'Y	1	
049	156-32475-90	STOP SWITCH ASS'Y	1	
050	640-32465-21	STOP BUTTON BRACKET	1	
051	925-33176-20	STOP BUTTON MARK	1	
052	990-23060-301	PLUS BOLT 6X30	2	
053	992-01060-011	WASHER 6	2	
054	871-32600-20	SPECIAL WASHER B	1	
055	883-32475-20	THROTTLE LEVER BAND	1	
056	991-91060-061	SQUARE NUT 6	2	
057	880-32475-20	THROTTLE ARM	1	
064	164-10042-00	PROTECTION TUBE 10X420	1	
065	164-13015-01	SPLIT PROTECTION TUBE	1	
066	885-0720A-81	THROTTLE WIRE COMP.	1	
070	258-11650-20	BUTTON STOP	1	
071	994-31030-101	SCREW 3X10	1	

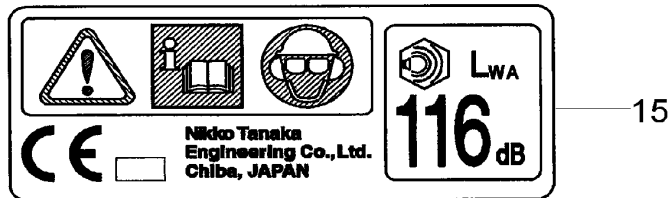
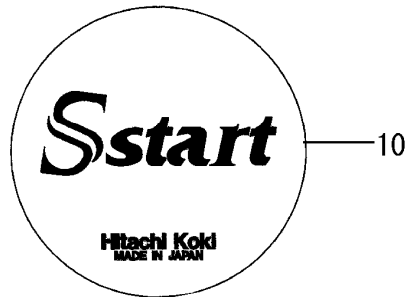
S32-10 DA200E(S) ACCESSORIES/TOOLS



REF. NUMBER	PARTS NUMBER	DESCRIPTION	Q'TY	SERIAL NUMBER
001	808-20000-20	SPANNER 10X13	1	
002	036-29331-50	COMBI. BOX SPANNER 10X	1	

S32-11

DA200E(S) LABELS



REF. NUMBER	PARTS NUMBER	DESCRIPTION	Q'TY	SERIAL NUMBER
010	915-07366-21	STARER MARK S·START	1	
011	919-07365-22	CAUTION MARK A	1	
001	929-0720P-20	SYMBOL MARK DA200E(S)	1	
012	921-32172-20	CAUTION MARK	1	