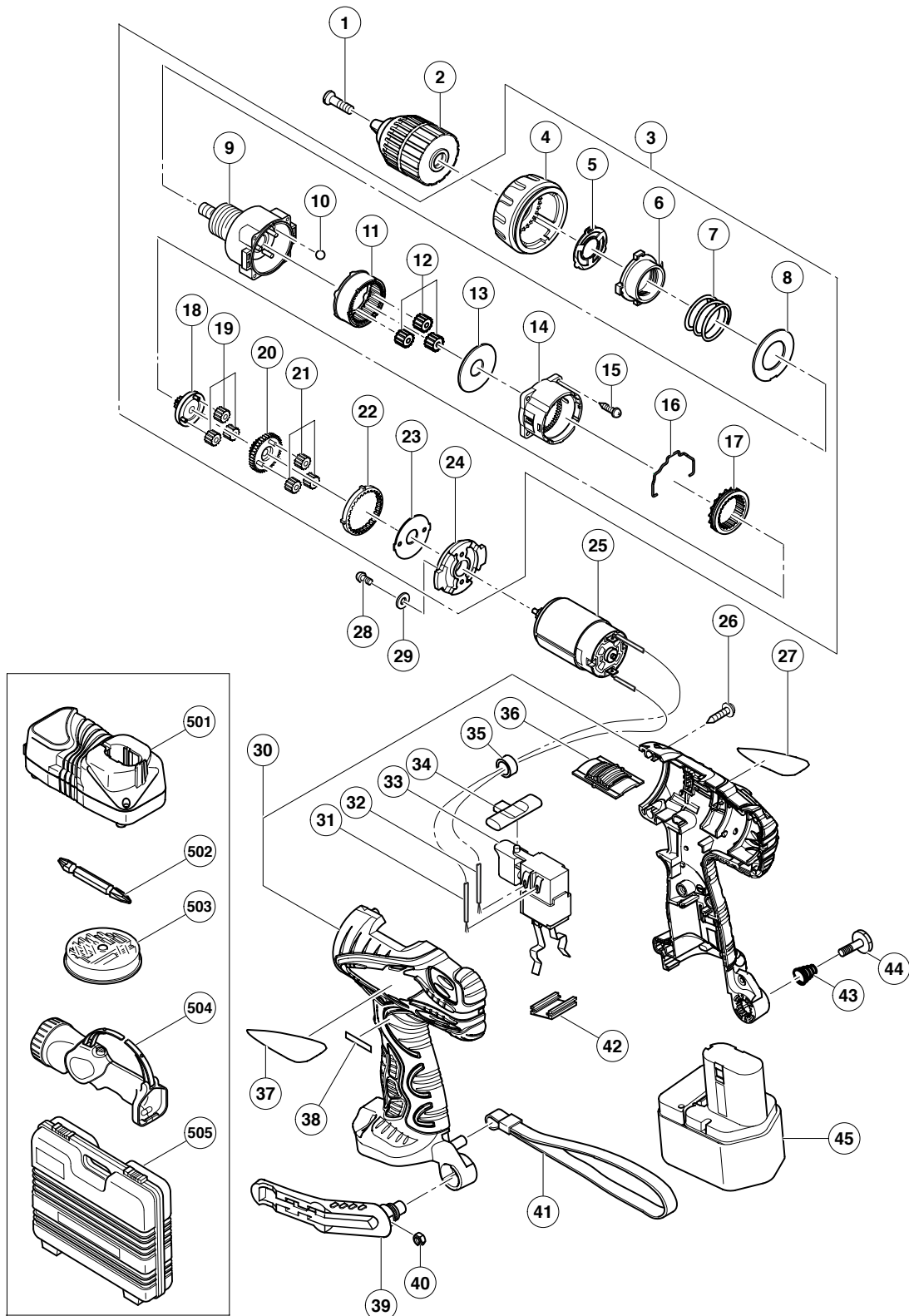


ELECTRIC TOOL PARTS LIST

CORDLESS DRIVER DRILL
Model DS 12DVF3

2005 · 3 · 30
(E1)



PARTS

DS 12DVF3

ITEM NO.	CODE NO.	DESCRIPTION	NO. USED	REMARKS
1	318-228	SPECIAL SCREW (LEFT HAND) M5X27	1	
2	323-250	DRILL CHUCK 10TLRK-N (W/O CHUCK WRENCH)	1	
3	324-106	GEAR BOX ASS'Y	1	INCLUD. 4-24
4	324-114	CLUTCH DIAL	1	
5	324-108	CLICK SPRING	1	
6	324-109	NUT	1	
7	324-110	SPRING	1	
8	324-347	WASHER (D)	1	
9	324-107	FRONT CASE	1	
10	306-936	STEEL BALL D5	6	
11	324-111	RING GEAR	1	
12	324-348	PLANET GEAR (C) SET (3 PCS.)	3	
13	324-349	WASHER (A)	1	
14	324-350	REAR CASE	1	
15	324-357	SCREW SET D3X12 (4 PCS.)	4	
16	324-115	SHIFT ARM	1	
17	324-351	SLIDE RING GEAR	1	
18	324-112	PINION (C)	1	
19	324-352	PLANET GEAR (B) SET (3 PCS.)	3	
20	324-113	PINION (B)	1	
21	324-354	PLANET GEAR (A) SET (3 PCS.)	3	
22	324-353	FIRST RING GEAR	1	
23	324-355	WASHER (B)	1	
24	324-356	MOTOR SPACER	1	
25	318-244	MOTOR	1	
26	313-687	TAPPING SCREW (W/FLANGE) D3X16 (BLACK)	8	
27		NAME PLATE	1	
28	949-203	MACHINE SCREW M3X8 (10 PCS.)	2	
29	949-451	SPRING WASHER M3 (10 PCS.)	2	
30	324-363	HOUSING (A). (B) SET	1	
31	324-121	INTERNAL WIRE (B) 90L (BLACK)	1	
32	324-120	INTERNAL WIRE (B) 140L (RED)	1	
33	324-119	DC-SPEED CONTROL SWITCH	1	
34	324-117	PUSHING BUTTON	1	
* 35	323-229	FERRITE CORE	1	FOR EUROPE
36	324-116	SHIFT KNOB	1	
37		HITACHI LABEL	1	
* 38		LABEL (CHINA)	2	FOR TPE
39	320-287	HOOK ASS'Y	1	INCLUD. 40
40	320-288	V-LOCK NUT M5	1	
41	306-952	STRAP (BLACK)	1	
42	315-141	TERMINAL SUPPORT (A)	1	
43	319-926	HOOK SPRING	1	
44	319-927	SPECIAL SCREW M5	1	
* 45	320-387	BATTERY EB 1220BL (W/ENGLISH N.P.)	2	
* 45	322-629	BATTERY EB 1214S (W/ENGLISH N.P.)	2	
* 45	324-360	BATTERY EB 1214S (W/ENGLISH N.P.)	2	FOR USA, CAN
* 45	324-361	BATTERY EB 1214S (W/ENGLISH N.P.)	2	FOR TPE
* 45	324-362	BATTERY EB 1214S (W/ENGLISH N.P.)	2	FOR KOR

