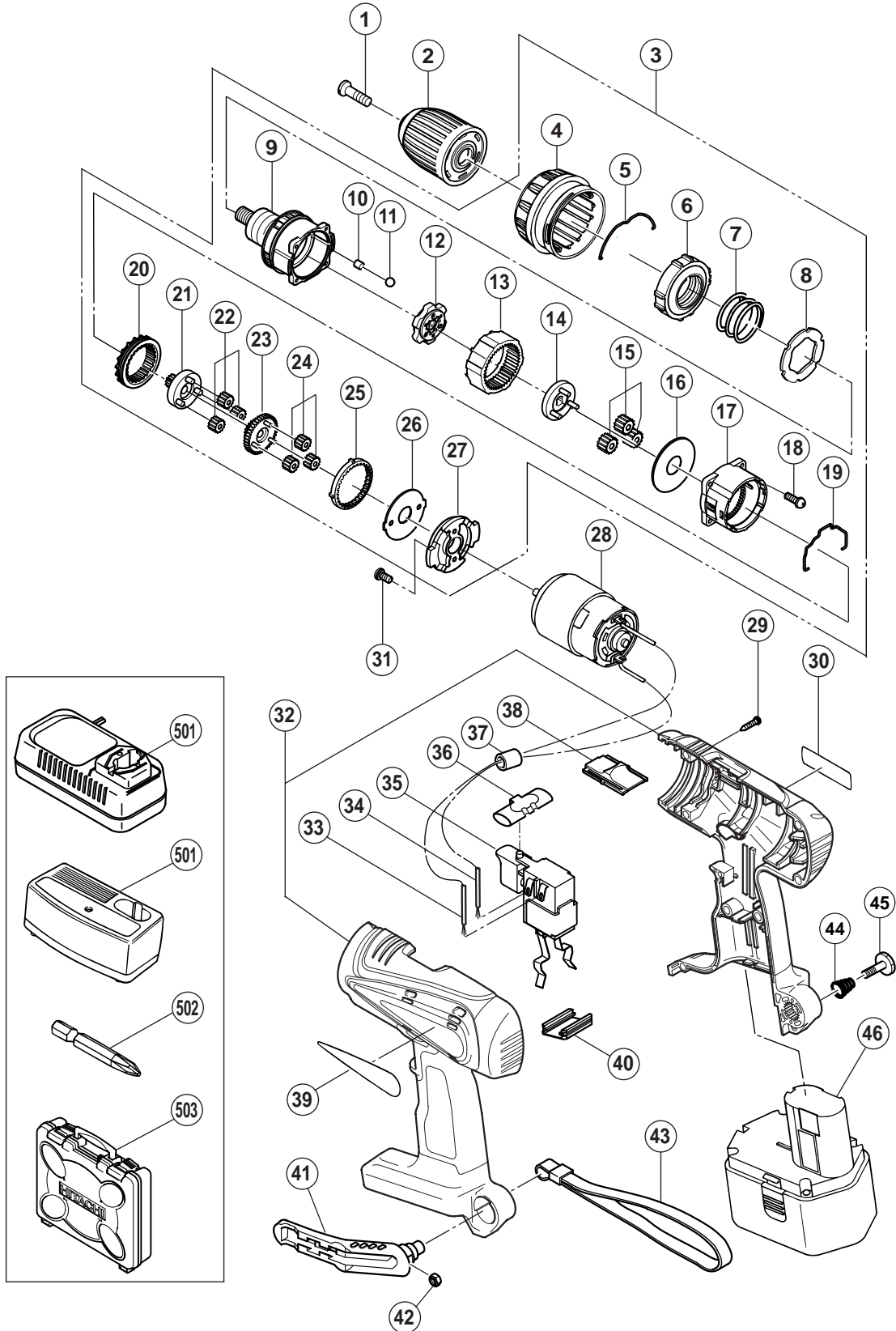


ELECTRIC TOOL PARTS LIST

■ CORDLESS DRIVER DRILL
Model DS 14DVB2

2004 • 4 • 30
(E1)



PARTS

DS 14DVB2

ITEM NO.	CODE NO.	DESCRIPTION	NO. USED	REMARKS
1	311-959	SPECIAL SCREW (LEFT HAND) M6X23	1	
2	320-684	DRILL CHUCK 13VLRG-N (W/O CHUCK WRENCH)	1	
3	323-013	GEAR BOX ASS'Y	1	INCLUD. 4-27
4	319-755	CAP	1	
5	319-754	CLICK SPRING	1	
6	319-743	NUT	1	
7	323-015	SPRING	1	
8	319-741	THRUST WASHER	1	
9	323-014	FRONT CASE	1	
10	319-744	ROLLER	6	
11	306-936	STEEL BALL D5	6	
12	320-928	LOCK RING	1	
13	319-745	RING GEAR	1	
14	320-929	CARRIER	1	
15	319-769	PLANET GEAR (C) SET (3 PCS.)	3	
16	312-704	WASHER (A)	1	
17	319-748	REAR CASE	1	
18	312-712	SCREW SET D3X12 (4 PCS.)	4	
19	319-753	SHIFT ARM	1	
20	319-750	SLIDE RING GEAR	1	
21	319-749	PINION (C)	1	
22	319-768	PLANET GEAR (B) SET (3 PCS.)	3	
23	319-751	PINION (B)	1	
24	319-767	PLANET GEAR (A) SET (3 PCS.)	3	
25	319-752	FIRST RING GEAR	1	
26	312-716	WASHER (B)	1	
27	316-955	MOTOR SPACER	1	
28	320-144	MOTOR	1	
29	313-687	TAPPING SCREW (W/FLANGE) D3X16 (BLACK)	8	
30		NAME PLATE	1	
31	317-333	MACHINE SCREW (W/SP. WASHER) M4X6	2	
32	322-502	HOUSING (A).(B) SET	1	
* 33	320-159	INTERNAL WIRE (BLACK) 160L	1	
* 33	319-759	INTERNAL WIRE (BLACK) 100L	1	FOR USA, CAN, AUS, NZL
34	319-758	INTERNAL WIRE (RED) 130L	1	
35	320-145	DC-SPEED CONTROL SWITCH	1	
36	319-760	PUSHING BUTTON	1	
* 37	318-247	FERRITE CORE	1	EXCEPT FOR USA, CAN, AUS, NZL
38	318-234	SHIFT KNOB	1	
39		HITACHI LABEL	1	
40	315-141	TERMINAL SUPPORT (A)	1	
41	320-287	HOOK ASS'Y	1	INCLUD. 42
42	320-288	V-LOCK NUT M5	1	
43	306-952	STRAP (BLACK)	1	
44	319-926	HOOK SPRING	1	
45	320-881	SPECIAL SCREW (A) M5	1	
* 46	315-130	BATTERY EB 14B (W/ENGLISH N.P.)	2	
* 46	315-129	BATTERY EB 14B (W/ENGLISH N.P.)	2	FOR USA, CAN
* 46	318-372	BATTERY EB 1430H (W/ENGLISH N.P.)	2	
* 46	322-633	BATTERY EB 1414S (W/ENGLISH N.P.)	3	
* 46	322-883	BATTERY EB 1426H (W/ENGLISH N.P.)	2	

