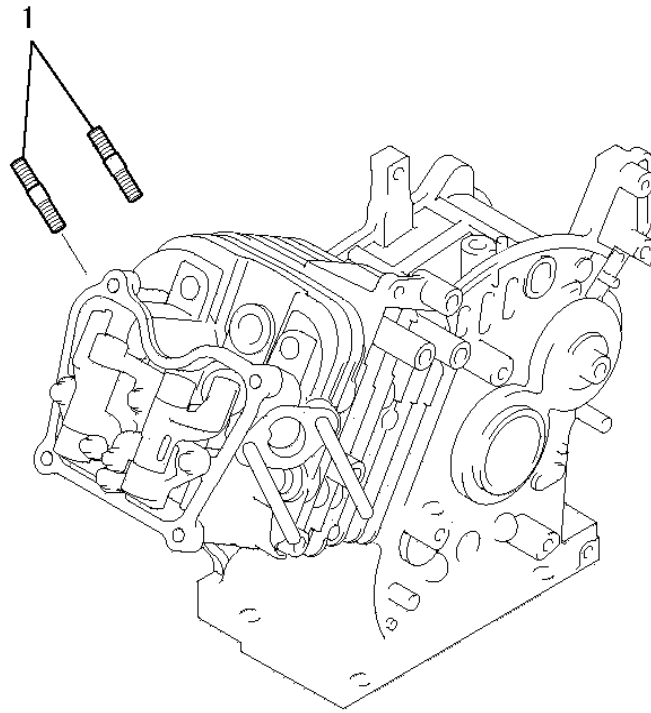
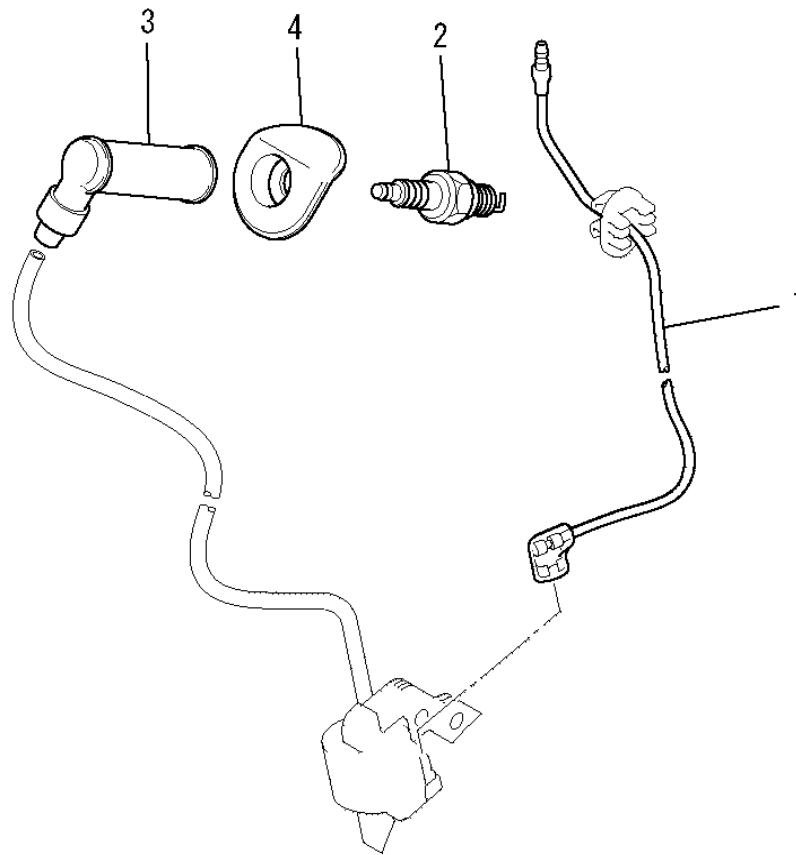


1. BOLT, SPRING, COVER



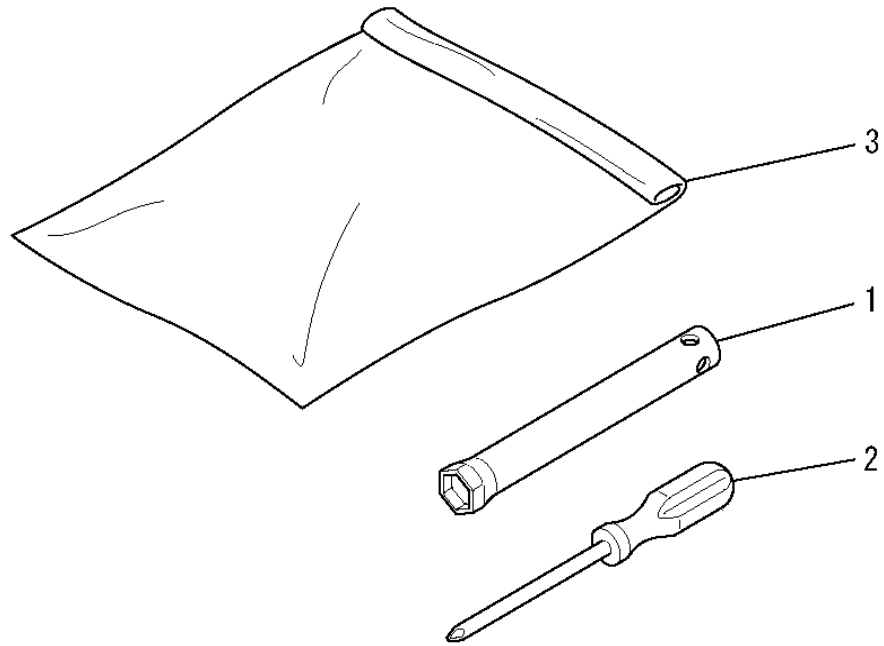
No.	R/N	Parts No.	Parts Name	No. Req'd	Inte	Remarks	Serial No. (From~To)
1		B155B08X020	BOLT, STUD	2			

2. LEAD WIRE, PLUG, CAP



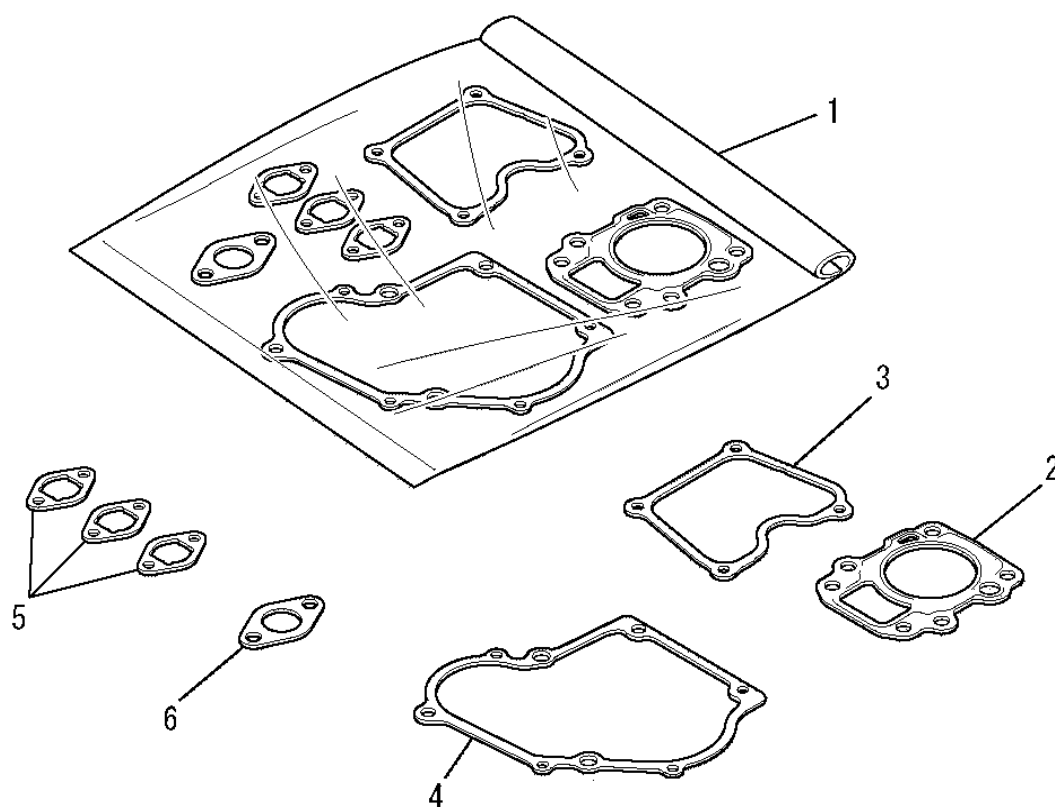
No.	R/N	Parts No.	Parts Name	No. Req'd	Inte	Remarks	Serial No. (From~To)
1		KE90198AA	WIRE, LEAD	1			
2		KE41009AA	PLUG, SPARK	1		BPR6HS	
3		KE42030BA	CAP, PLUG	1			
4		KE90199AB	CAP	1			

4. TOOL SET



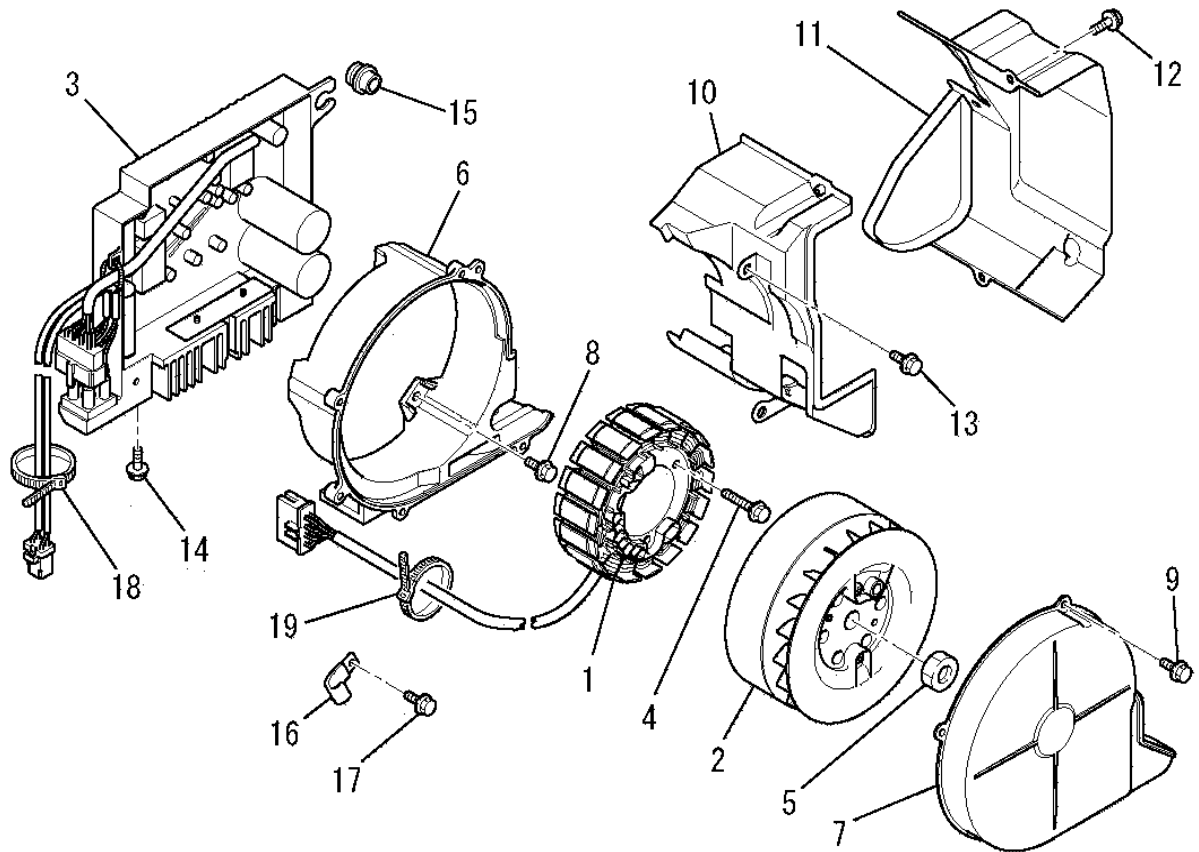
No.	R/N	Parts No.	Parts Name	No. Req'd	Inte	Remarks	Serial No. (From~To)
1		KN12004DA	SPANNER, BOX	1			
2		KN13001AA	DRIVER, SCREW	1			
3		FA21533D	BAG, TOOL	1			

5. GASKET SET



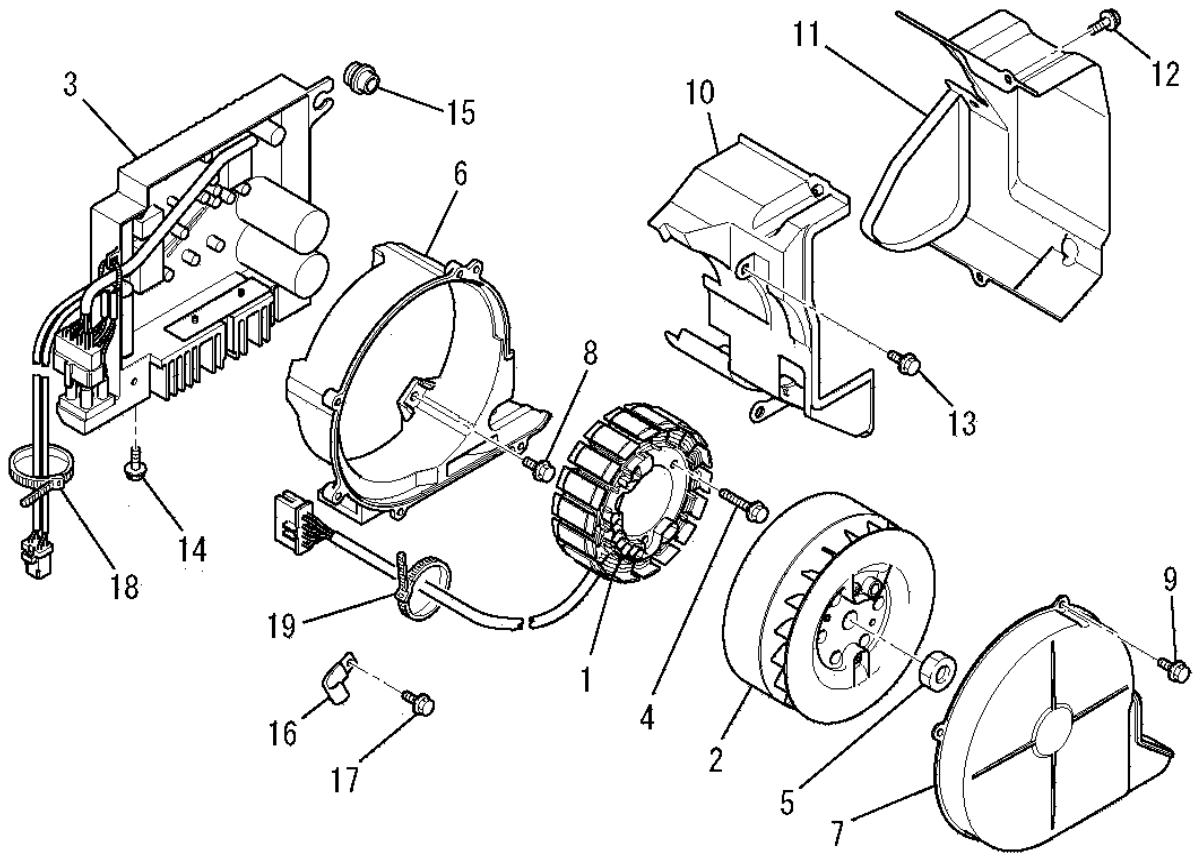
No.	R/N	Parts No.	Parts Name	No. Req'd	Inte	Remarks	Serial No. (From~To)
1		KW39082FA	GASKET SET	1		INCL. NO. 2-6	
2		KC65002AA	GASKET, HEAD	1			
3		KW33006AA	GASKET, HEAD COVER	1			
4		KW31013AA	GASKET, CRANKCASE	1			
5		KW34058AA	GASKET, CARBURETOR	3			
6		KM70031AB	GASKET, MUFFLER	1			

7. GRNERATOR



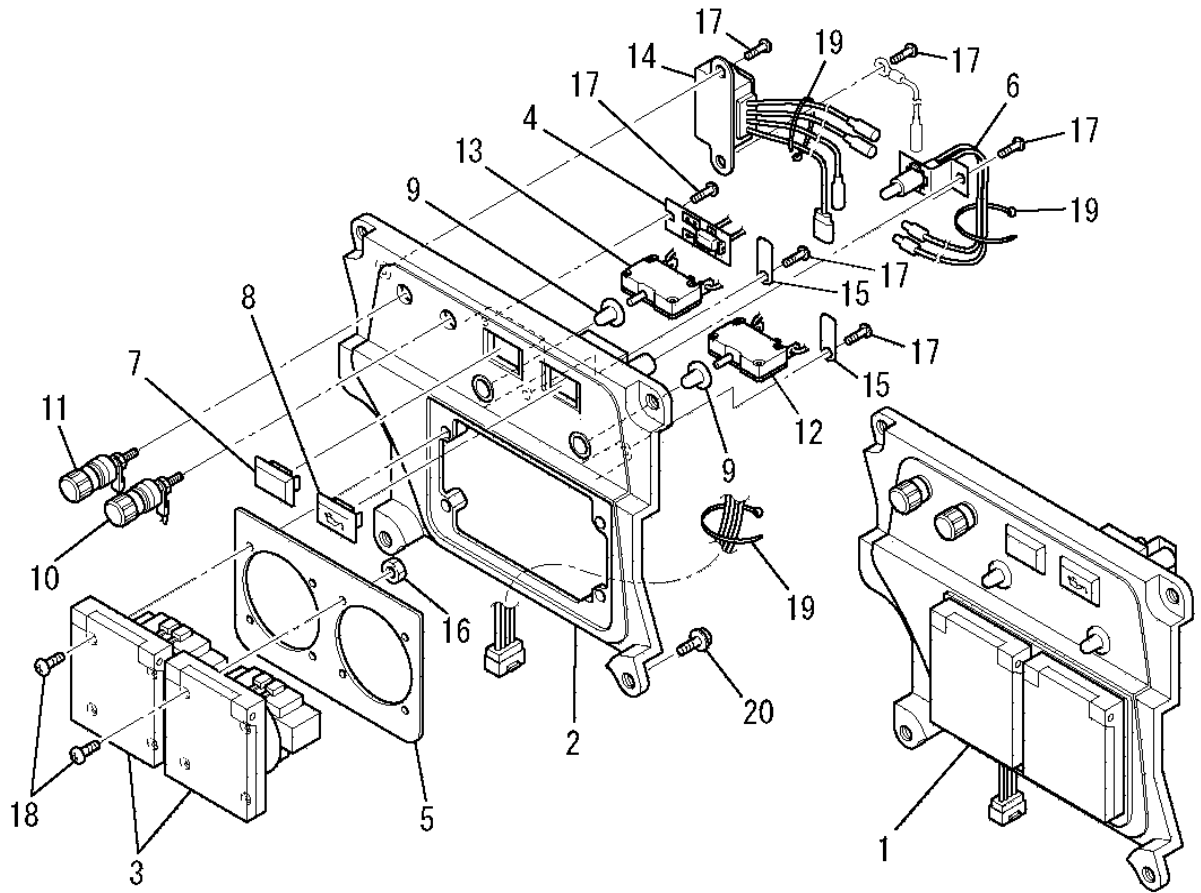
No.	R/N	Parts No.	Parts Name	No. Req'd	Inte	Remarks	Serial No. (From~To)
1		KY12011BA	STATER	1			
2		KY12012AA	FLYWHEEL	1			
3		KY12013EA	INVERTER UNIT	1			
4		B805B06X040	BOLT, FLANGE	3			
5		N030A12	NUT	1			
6		KY16016AA	CASE, ROTOR	1			
7		KY16017AA	COVER, ROTOR CASE	1			
8		B805B06X016	BOLT, FLANGE	3			
9		KU12030AA	BOLT, FLANGE	4			
10		KM27050AA	COVER, MUFFLER	1			
11		KM27051AA	COVER, MUFFLER	1			
12		B800A06X008	BOLT, FLANGE	3			

7. GRNERATOR



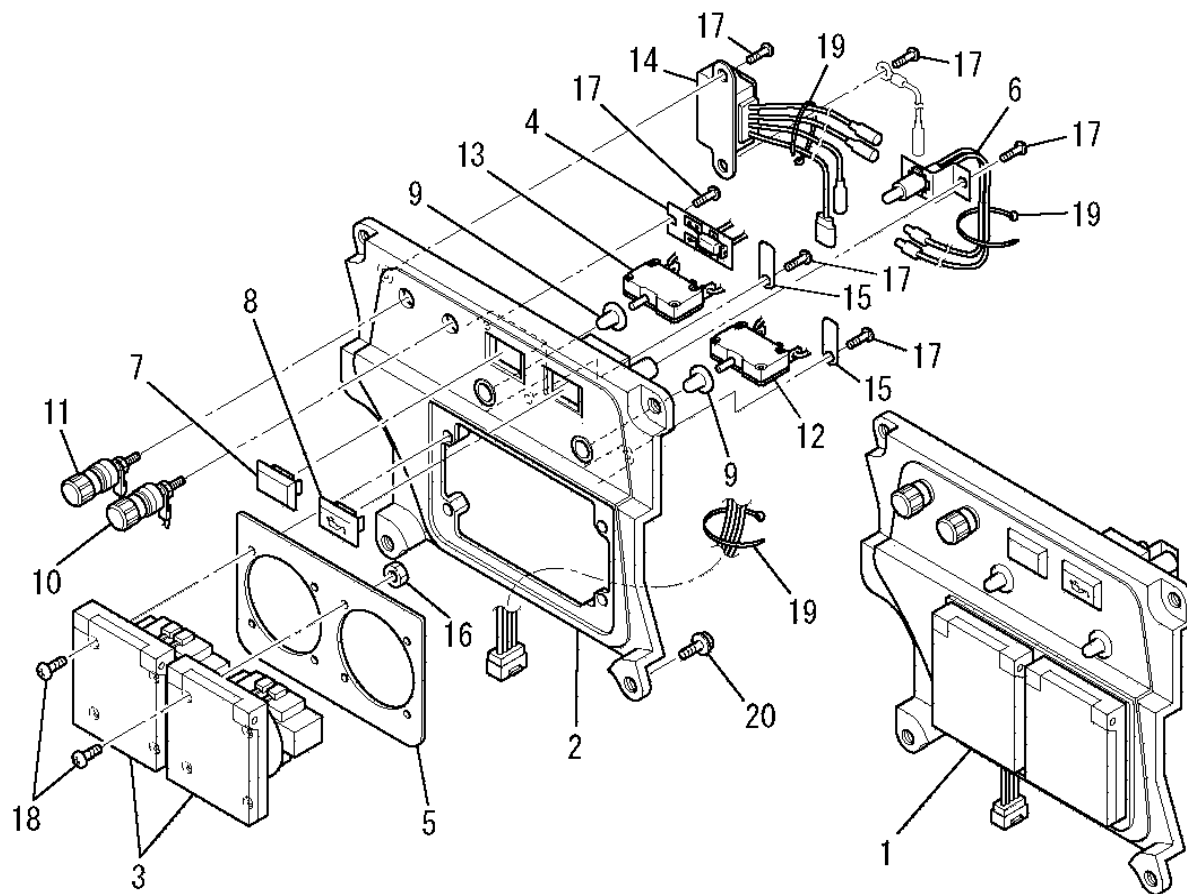
No.	R/N	Parts No.	Parts Name	No. Req'd	Inte	Remarks	Serial No. (From~To)
13		B805B06X012	BOLT, FLANGE	2			
14		B800A06X012	BOLT, FLANGE	2			
15		KU50018AA	BUSH	1			
16		FR51895	CLAMP	1			
17		B805B06X012	BOLT, FLANGE	1			
18		KU90009AA	BAND	1			
19		KU90009BA	BAND	1			

8. CONTROL BOX



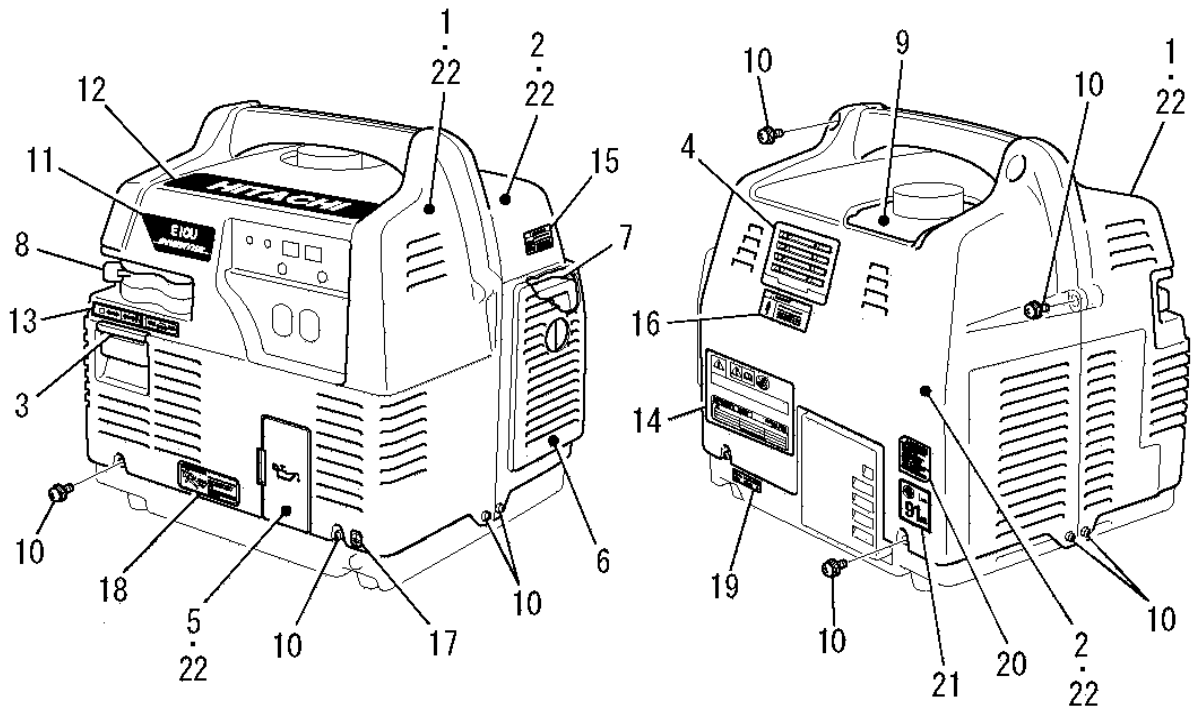
No.	R/N	Parts No.	Parts Name	No. Req'd	Inte	Remarks	Serial No. (From~To)
1		KY16026EA	CONTROL PANEL ASSY	1		INCL. NO. 2-19	
2		KY16029EA	MG PANEL	1			
3		KY16040AA	MG CONCENT	2			
4		KY16031BA	MG LAMP, PILOT	1			
5		KY16042BA	PLATE	1			
6		KY16076AA	MG LAMP, OIL	1			
7		KY16033AA	MG CAP, PILOT LAMP	1			
8		KY16034AA	MG CAP, OIL LAMP	1			
9		KY16036AA	MG CAP, PROTECTOR	2			
10		KY16004BA	MG TERMINAL	1			
11		KY16005BA	MG TERMINAL	1			
12		KY16035CA	MG PROTECTOR	1			

8. CONTROL BOX



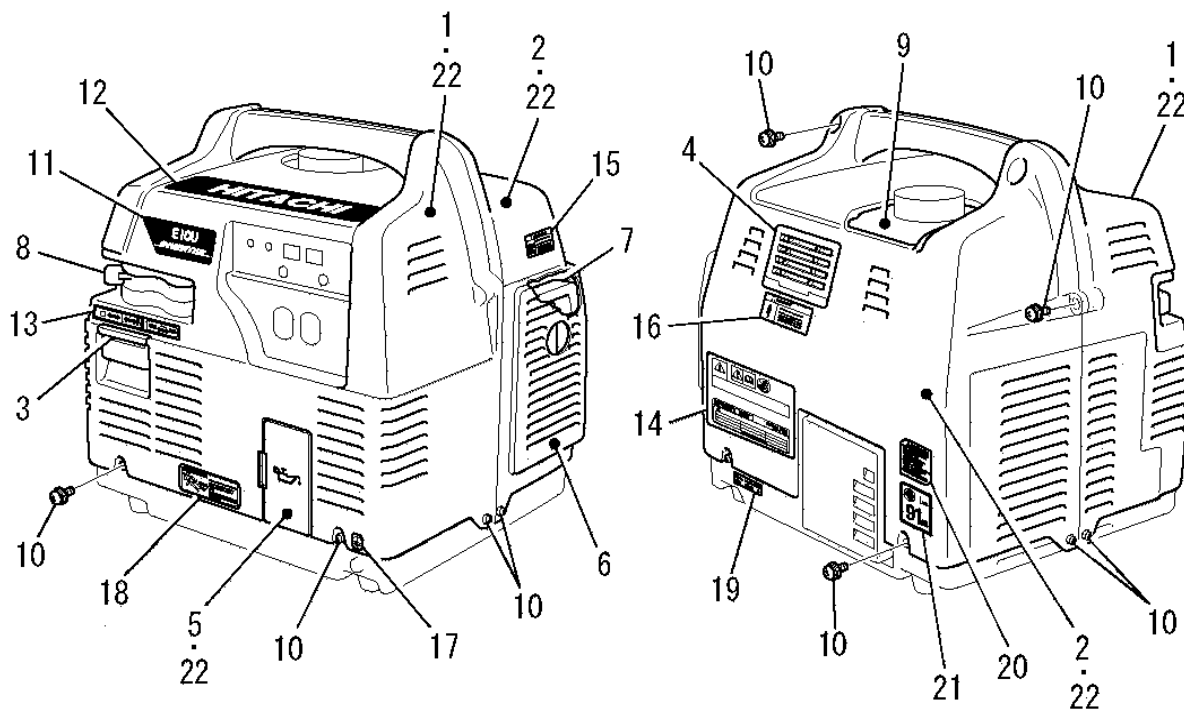
No.	R/N	Parts No.	Parts Name	No. Req'd	Inte	Remarks	Serial No. (From~To)
13		KY16035AA	MG PROTECTOR	1			
14		KE33005AA	UNIT, SENSOR	1			
15		KY16037AA	PLATE	2			
16		N001A03	NUT	4			
17		KU11004BA	TAP-SCREW	6			
18		H051D03X008K	SCREW, PAN-CRS	8			
19		KU90009AA	BAND	4			
20		B800A06X012	BOLT, FLANGE	4			

10. GENERATOR CASE & LABEL



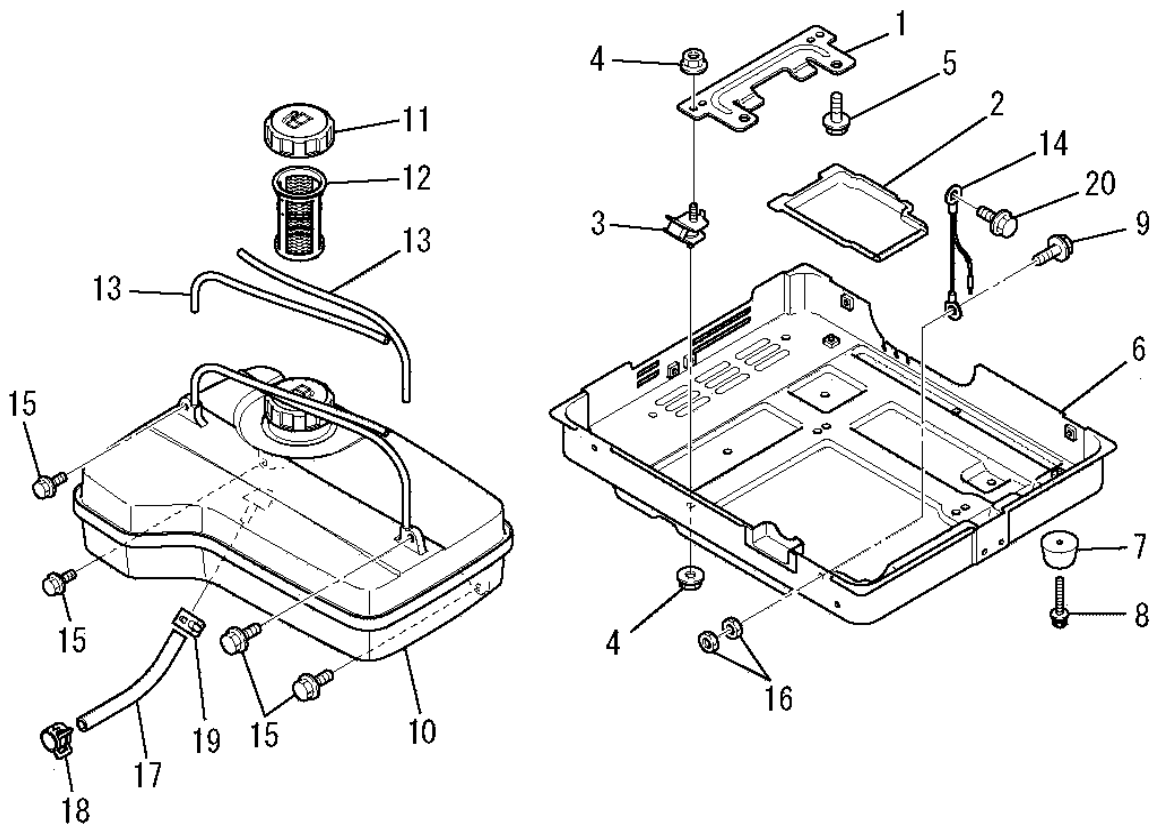
No.	R/N	Parts No.	Parts Name	No. Req'd	Inte	Remarks	Serial No. (From~To)
1		KY16060DA	CASE, GENERATOR	1			
2		KY16061DA	CASE, GENERATOR	1			
3		KU70018AA	CLIP	1			
4		KY16024DA	COVER, PLUG	1			
5		KY16025DA	COVER, OIL	1			
6		KY16027AA	COVER, EXHAUST	1			
7		KY16038AA	SPONGE	1			
8		KG90014AA	CAP	1			
9		KY16069AA	COVER, TANK CAP	1			
10		H071D06X016K	SCREW&WASHER	12			
11		KW56296AA	LABEL, NAME	1			
12		KW56297AA	LABEL, NAME	1			

10. GENERATOR CASE & LABEL



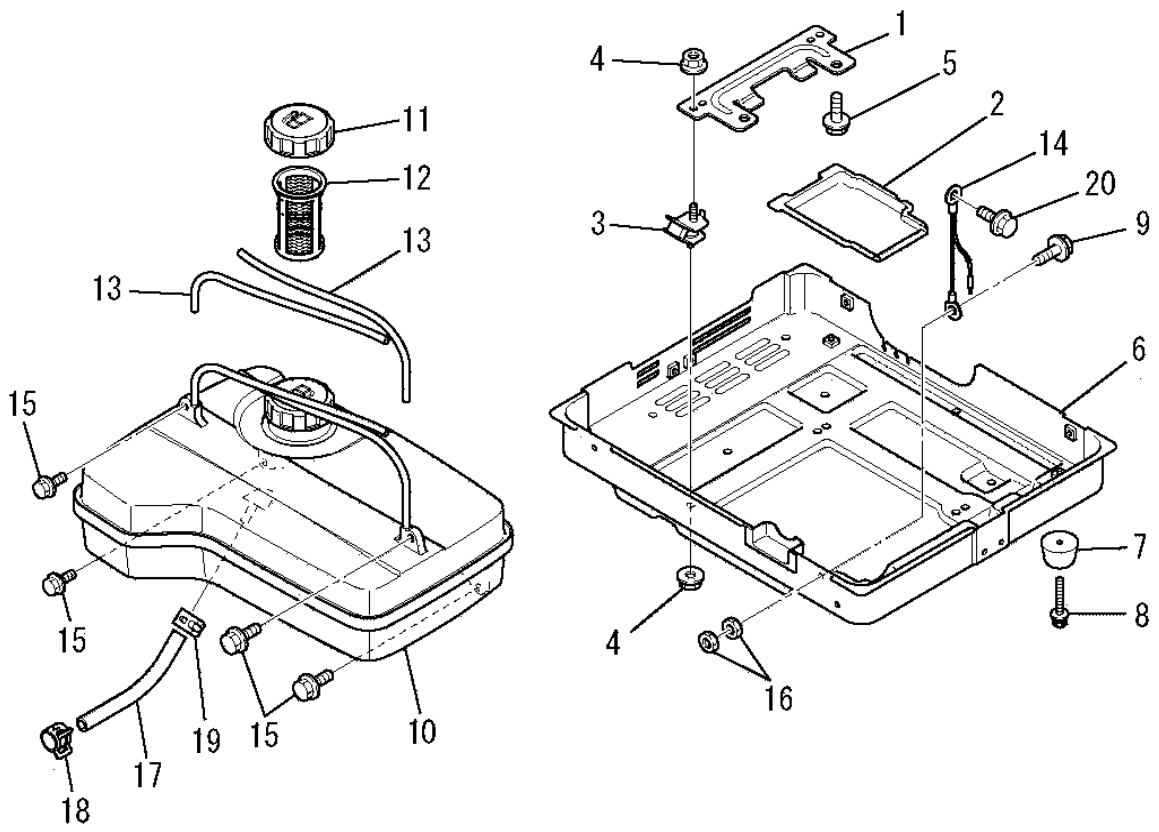
No.	R/N	Parts No.	Parts Name	No. Req'd	Inte	Remarks	Serial No. (From~To)
13		KW56166CA	LABEL	1			
14		KW56298AA	LABEL	1			
15		KW56299AA	LABEL, CAUTION	1			
16		KW56300AA	LABEL, CAUTION	1			
17		KW56170AA	LABEL, CAUTION	1			
18		KW56301AA	LABEL	1			
19		KW56172AA	LABEL	1			
20		KW56252AA	LABEL	2			
21		KW55055AA	LABEL	1			
22		KY16043AA	SPONGE	1			

11. BOTOM COVER & TANK



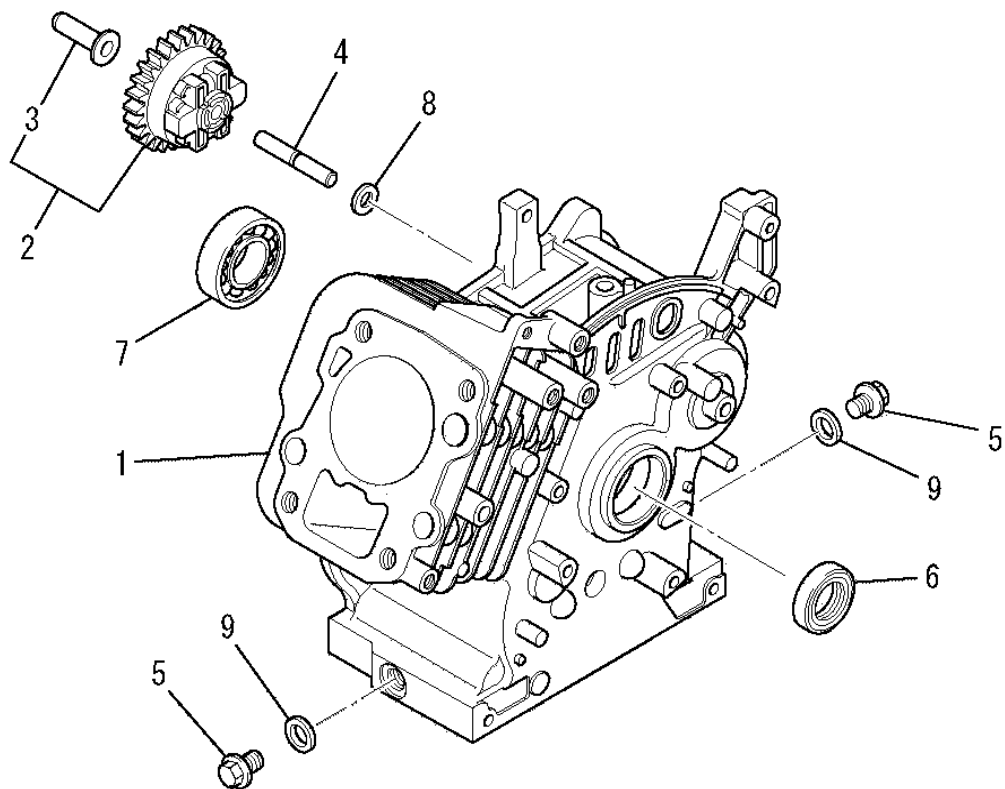
No.	R/N	Parts No.	Parts Name	No. Req'd	Inte	Remarks	Serial No. (From~To)
1		KY16018AA	STAND, ENGINE	1			
2		KY16019AA	COVER, OILPAN	1			
3		KY16020AA	RUBBER, MOUNT	4			
4		N801A06	NUT, FLANGE	8			
5		KU14039AA	BOLT, FLANGE	2			
6		KY16021AA	COVER, BOTTOM	1			
7		KY14003AA	RUBBER CUSHION	4			
8		FR64960	SCREW&WASHER	4			
9		B800A06X016	BOLT, FLANGE	1			
10		KF04104AA	FUEL TANK ASSY	1		INCL. NO. 11-13	
11		KF05018CA	TANK CAP ASSY	1			
12		KF40003DA	FILTER, FUEL	1			

11. BOTOM COVER & TANK



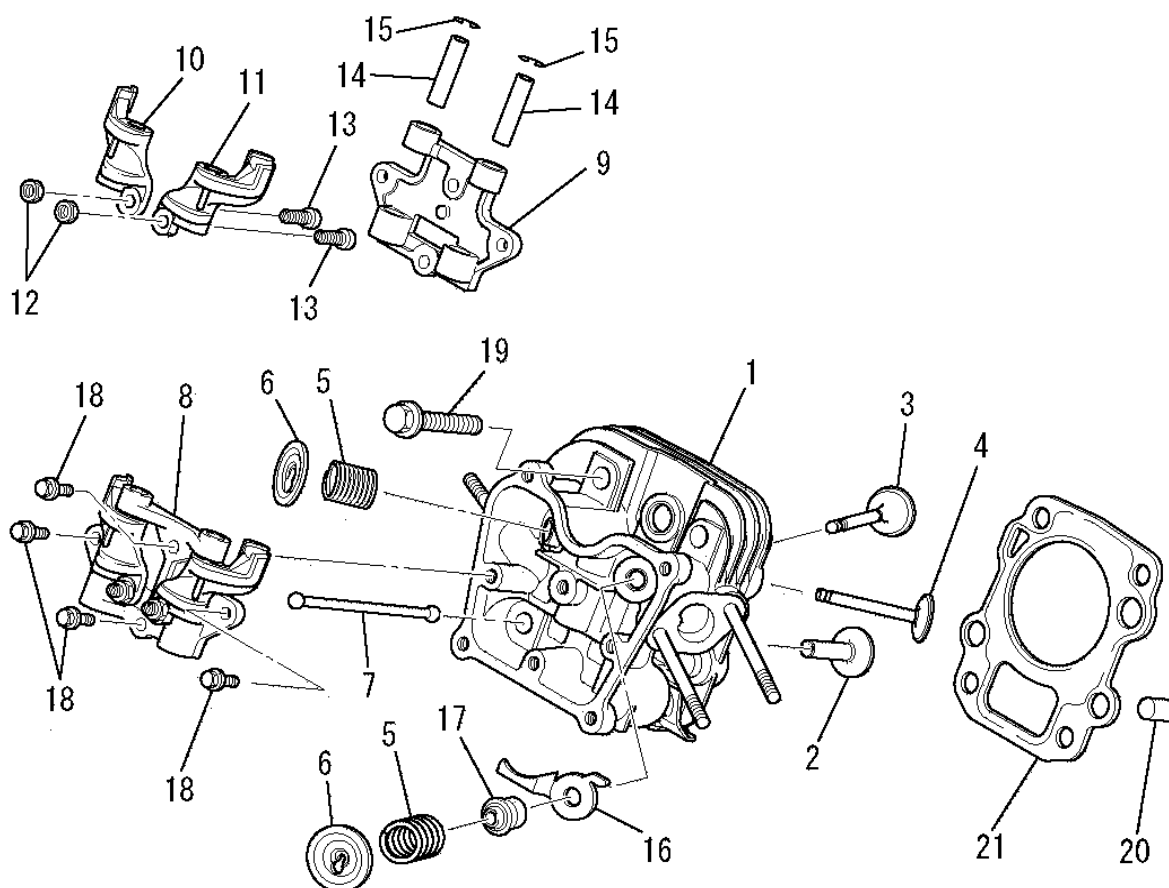
No.	R/N	Parts No.	Parts Name	No. Req'd	Inte	Remarks	Serial No. (From~To)
13		KF70011KA	TUBE, FUEL	2			
14		KE90198EA	WIRE, LEAD	1			
15		B070A06X020	BOLT&WASHER	4			
16		N011A06	NUT	2			
17		P051Y06X160	HOSE, FUEL	1			
18		FR53226A	CLIP	1			
19		FR53226B	CLIP	1			
20		KU12030AA	BOLT, FLANGE	1			

(A) CYLINDER BLOCK GROUP



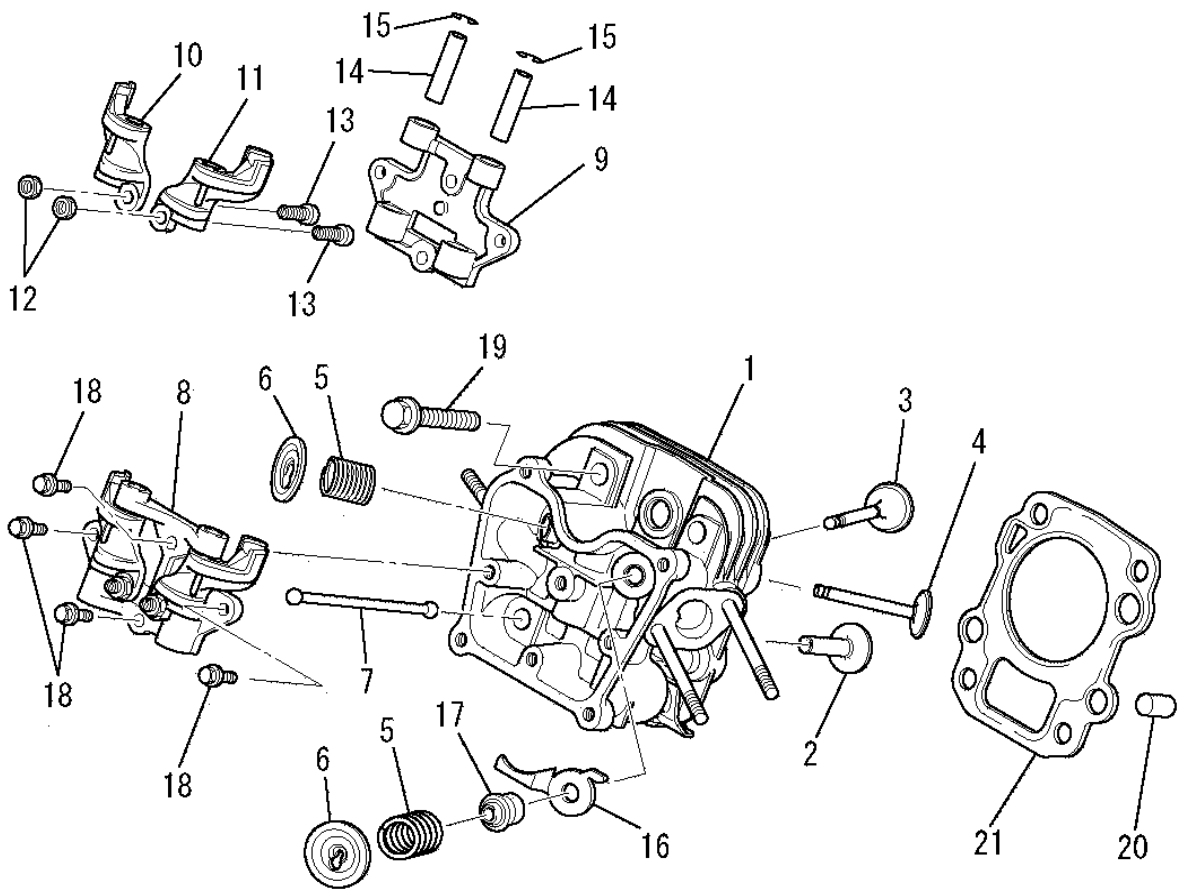
No.	R/N	Parts No.	Parts Name	No. Req'd	Inte	Remarks	Serial No. (From~To)
1		KB41004CA	CYLINDER BLOCK	1			
2		KG01003BA	GOVERNOR GEAR ASSY	1		INCL. NO. 3	
3		KG14004AA	SLIDER, GOV	1			
4		KG22004AA	SHAFT, GOV	1			
5		KL22003AA	PLUG, DRAIN	2			
6		KW22001AA	OIL SEAL	1			
7		S111X62X030	BEARING, BALL	1		#6203	
8		W200H06	WASHER	1			
9		KW39070AA	GASKET	2			

(B) CYLINDER HEAD GROUP



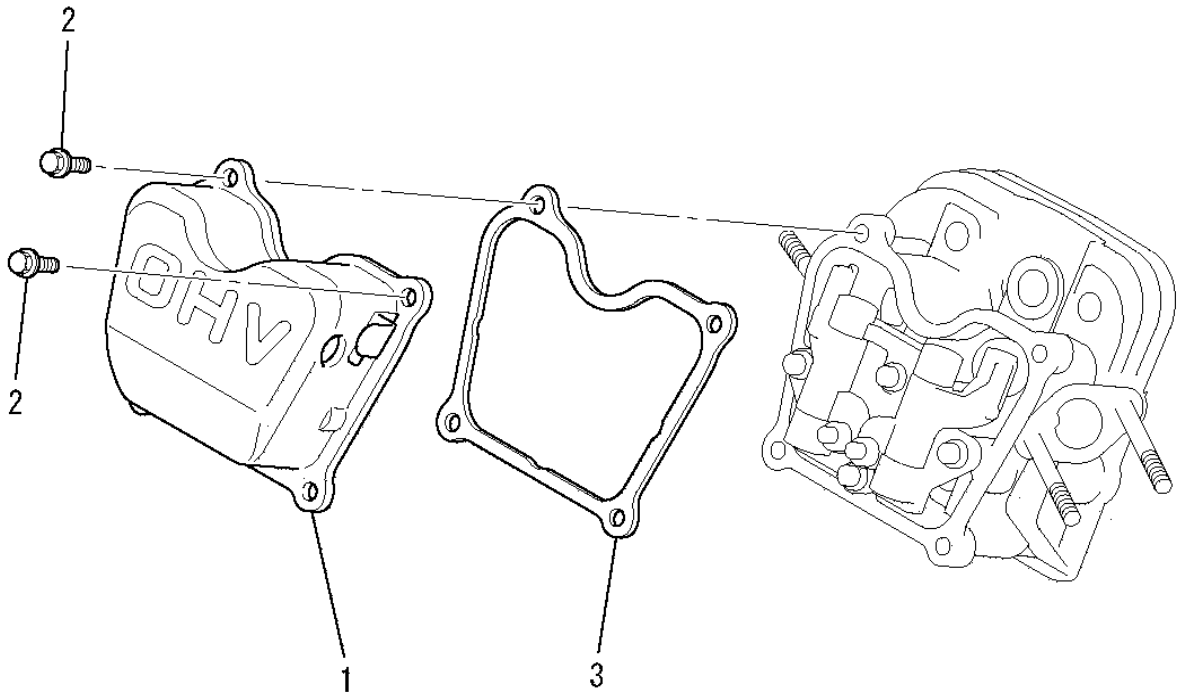
No.	R/N	Parts No.	Parts Name	No. Req'd	Inte	Remarks	Serial No. (From~To)
1		KC02047BA	CYLINDER HEAD ASSY	1		WITH B155B06X095	
2		KV24007AA	TAPPET	2			
3		KV32004AA	VALVE, INTAKE	1			
4		KV43008AA	VALVE, EXHAUST	1			
5		KV54002AA	SPRING, VALVE	2			
6		KV64002AA	RETAINER, VALVE SPG	2			
7		KV71012AA	ROD, PUSH	2			
8		KV02003AA	ROCKER ARM ASSY	1		INCL. NO. 9-15	
9		KV74007AA	PLATE	1			
10		KV72010AA	ARM, ROCKER	1			
11		KV72011AA	ARM, ROCKER	1			
12		KU23013AA	NUT	2			

(B) CYLINDER HEAD GROUP



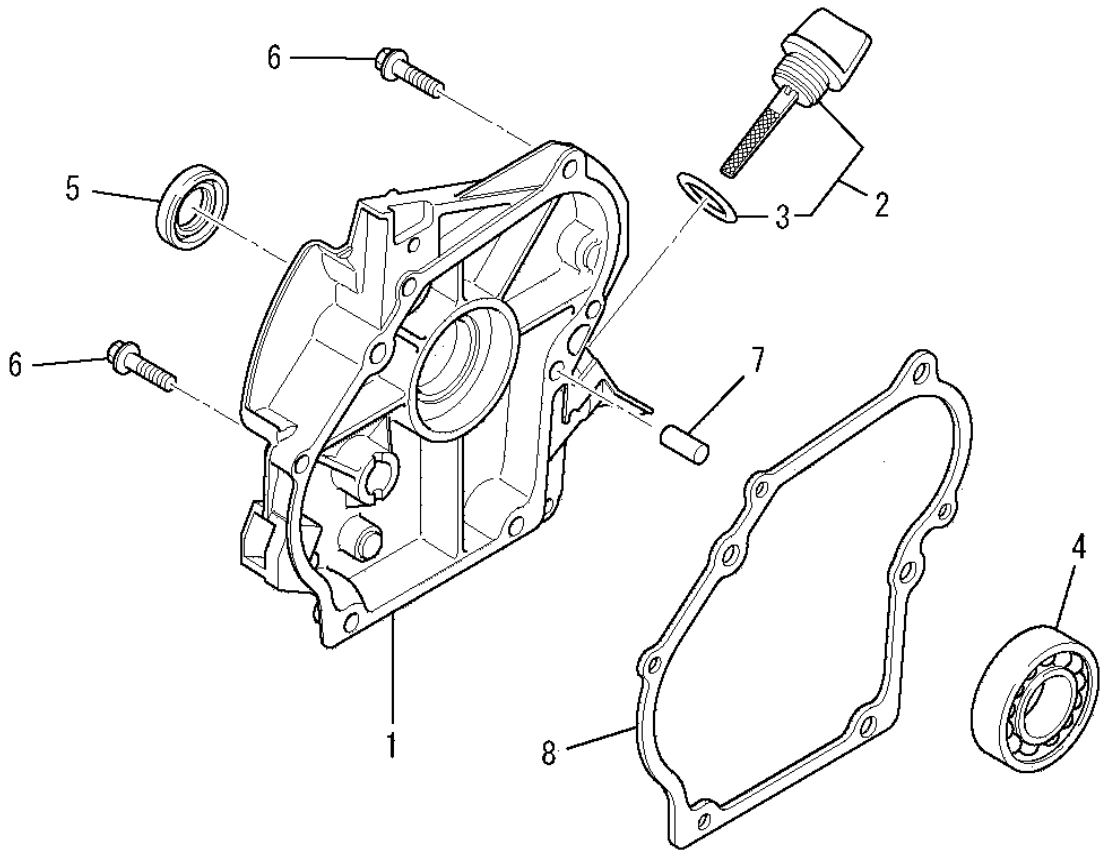
No.	R/N	Parts No.	Parts Name	No. Req'd	Inte	Remarks	Serial No. (From~To)
13		KV73004AA	SCREW, ADJUST	2			
14		KV75009BA	SHAFT	2			
15		FR34111	CLIP, PISTON PIN	2			
16		KV90013AA	PLATE	1			
17		KW21023AA	SEAL, VALVE STEM	1			
18		B800A06X016	BOLT, FLANGE	4			
19		B800B08X055	BOLT, FLANGE	4			
20		KU44001AA	PIN, DOWEL	2			
21		KC65002AA	GASKET, HEAD	1			

(C) HEAD COVER GROUP



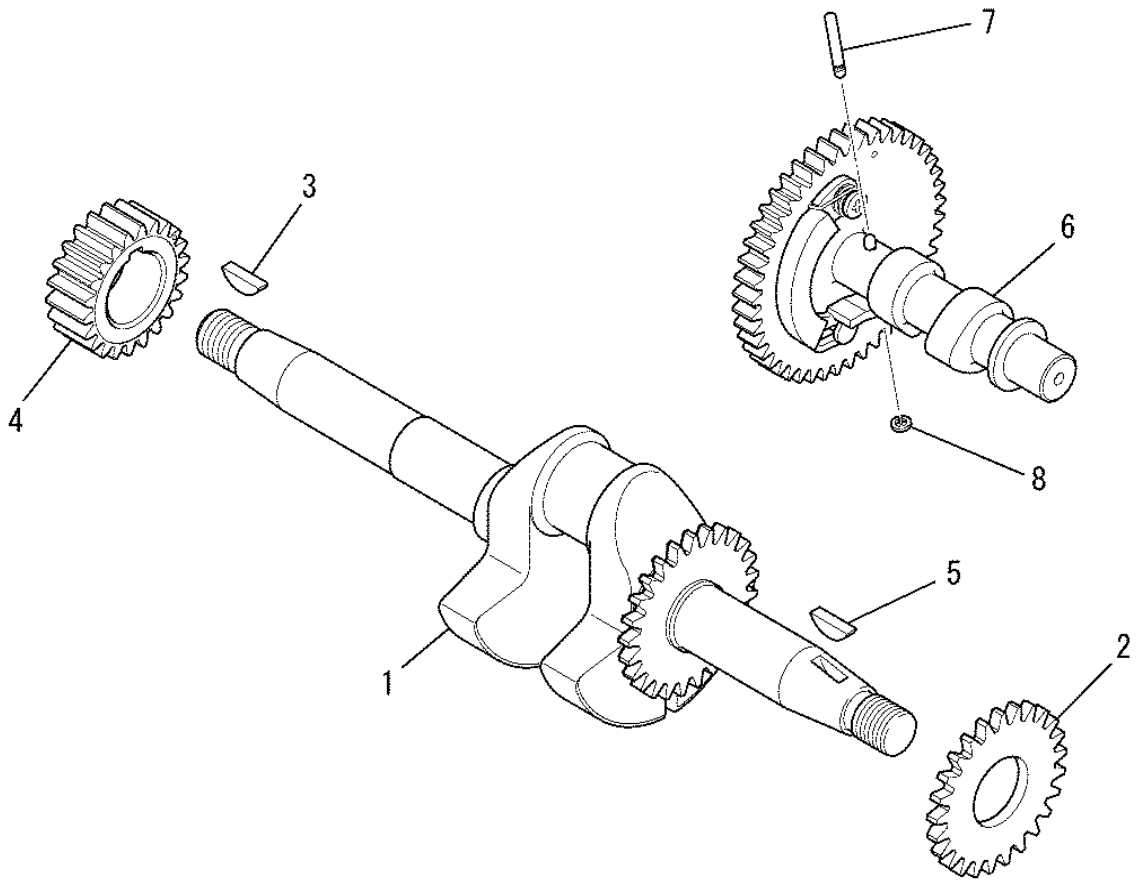
No.	R/N	Parts No.	Parts Name	No. Req'd	Inte	Remarks	Serial No. (From~To)
1		KC09013AA	COVER, HEAD	1			
2		B800A06X012	BOLT, FLANGE	4			
3		KW33006AA	GASKET, HEAD COVER	1			

(D) CASE COVER GROUP



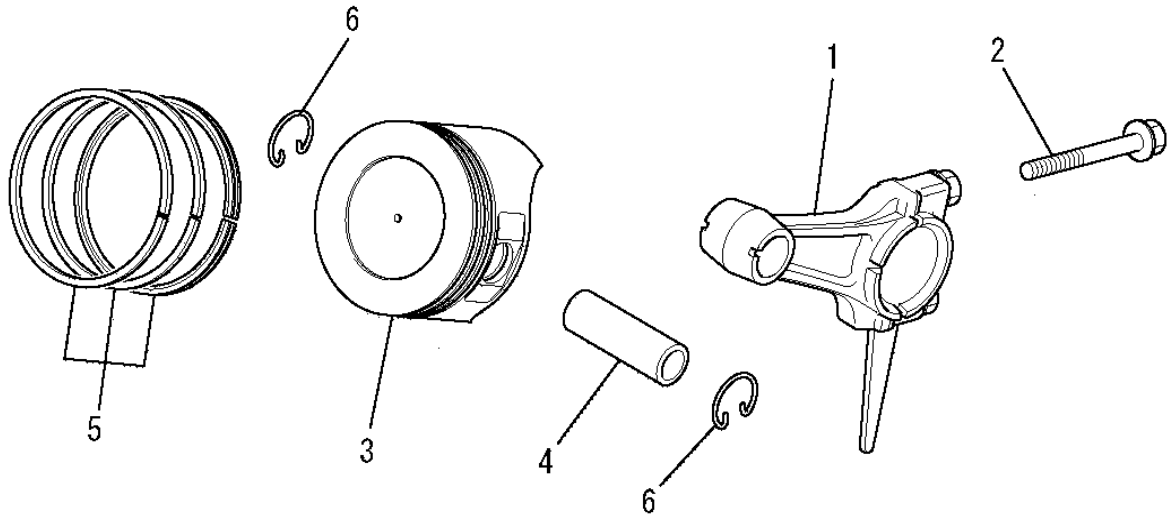
No.	R/N	Parts No.	Parts Name	No. Req'd	Inte	Remarks	Serial No. (From~To)
1		KB61006AA	COVER, CRANKCASE	1			
2		KL21006CA	GAUGE, OIL	1		INCL. NO. 3	
3		KW23003AA	O-RING	1			
4		KW11011AA	BEARING, BALL	1			
5		KW22001AA	OIL SEAL	1			
6		B800B06X025	BOLT, FLANGE	6			
7		KU44001AA	PIN, DOWEL	2			
8		KW31013AA	GASKET, CRANKCASE	1			

(E) CRANKSHAFT GROUP



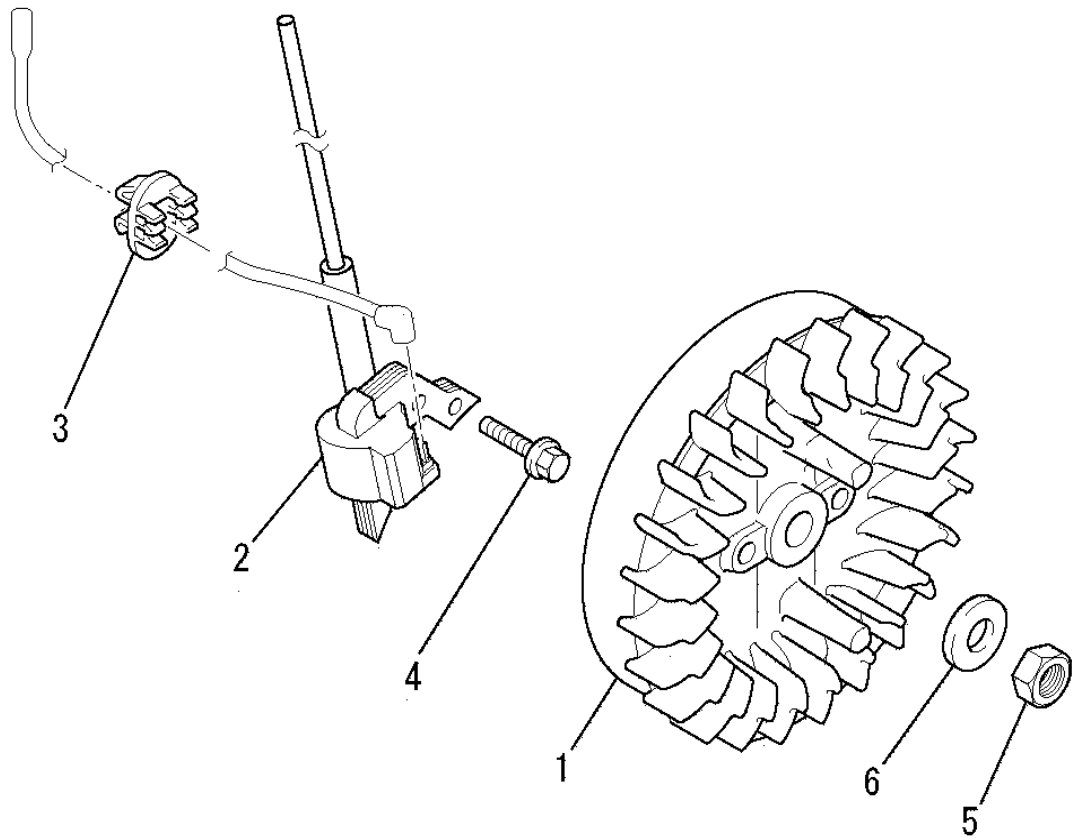
No.	R/N	Parts No.	Parts Name	No. Req'd	Inte	Remarks	Serial No. (From~To)
1		KD02073PA	CRANKSHAFT ASSY	1		INCL. NO. 2, 3	
2		KD63047AA	GEAR	1			
3		KD90016AA	KEY, WOODRUFF	1			
4		KD62010AA	GEAR, CRANKSHAFT	1			
5		KD90016AA	KEY, WOODRUFF	1			
6		KV01197AA	CAMSHAFT GEAR ASSY	1		INCL. NO. 7, 8	
7		KV83009AK	PIN	1			
8		S500P03	SNAP RING	1			

(F) PISTON & ROD GROUP



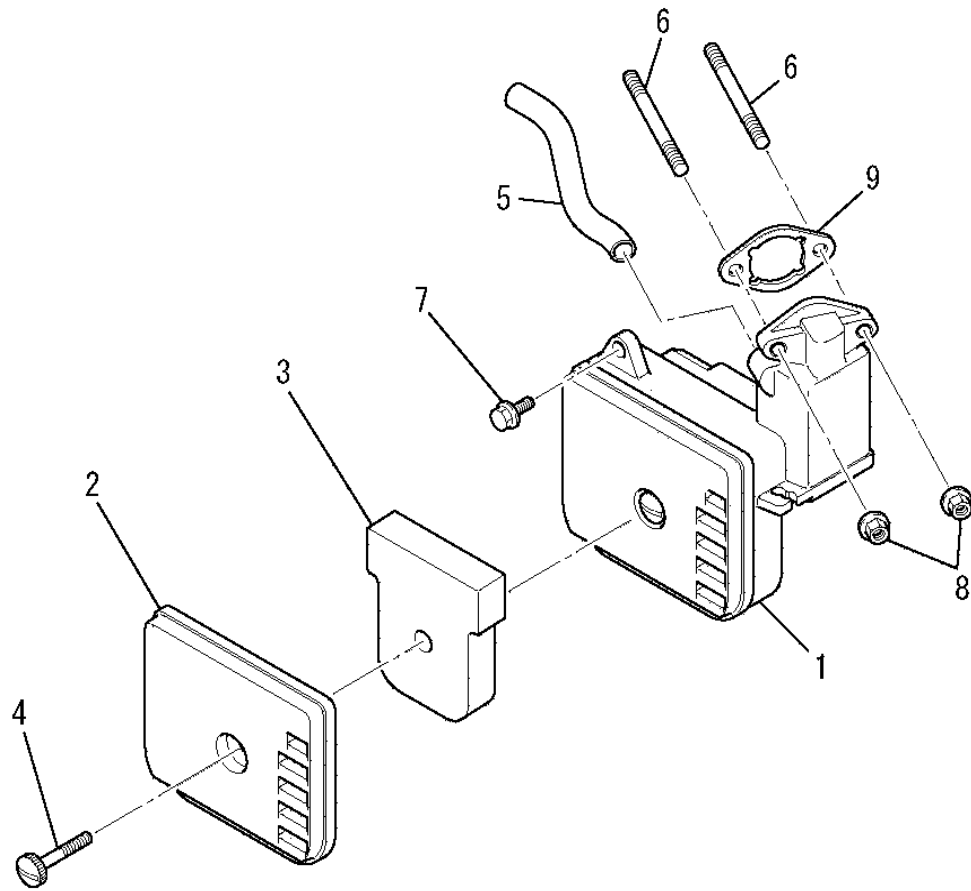
No.	R/N	Parts No.	Parts Name	No. Req'd	Inte	Remarks	Serial No. (From~To)
1		KD03014AA	CONNECTING ROD ASSY	1		STD INCL. NO. 2	
1	1	KD03014BA	CONNECTING ROD ASSY	1		US 0.25 INCL. NO. 2	
1	2	KD03014CA	CONNECTING ROD ASSY	1		US 0.50 INCL. NO. 2	
2		B800B06X030	BOLT, FLANGE	2			
3		KP15005AA	PISTON	1		STD	
3	1	KP15005BA	PISTON	1		OS 0.25	
3	2	KP15005CA	PISTON	1		OS 0.50	
4		KP55003AA	PIN, PISTON	1			
5		KP02007AA	PISTON RING SET	1		STD	
5	1	KP02007BA	PISTON RING SET	1		OS 0.25	
5	2	KP02007CA	PISTON RING SET	1		OS 0.50	
6		KP90002AA	CLIP, PISTON PIN	2			

(G) MAGNETO GROUP



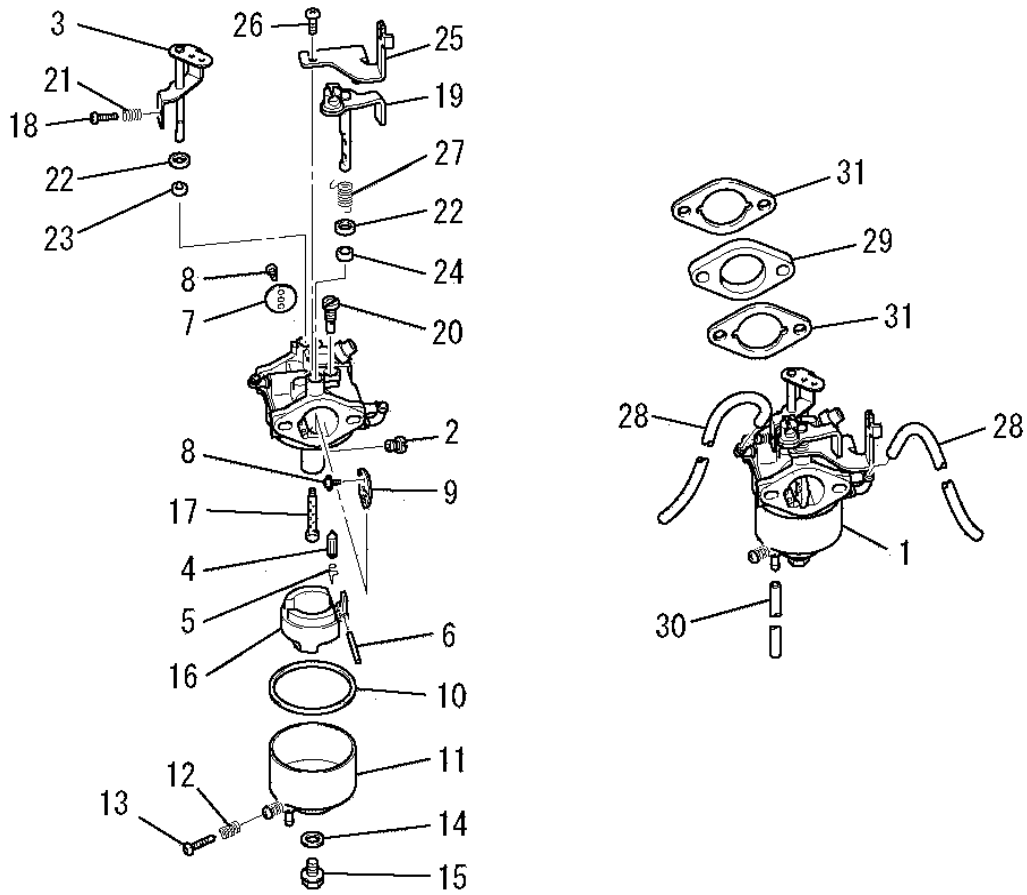
No.	R/N	Parts No.	Parts Name	No. Req'd	Inte	Remarks	Serial No. (From~To)
1		KE12028AA	FLYWHEEL	1			
2		KE24018AA	COIL, IGNITION	1			
3		KU70007AA	CLIP	1			
4		B805B06X020	BOLT, FLANGE	2			
5		N030A12	NUT	1			
6		W205H12	WASHER, S	1			

(H) AIR CLEANER GROUP



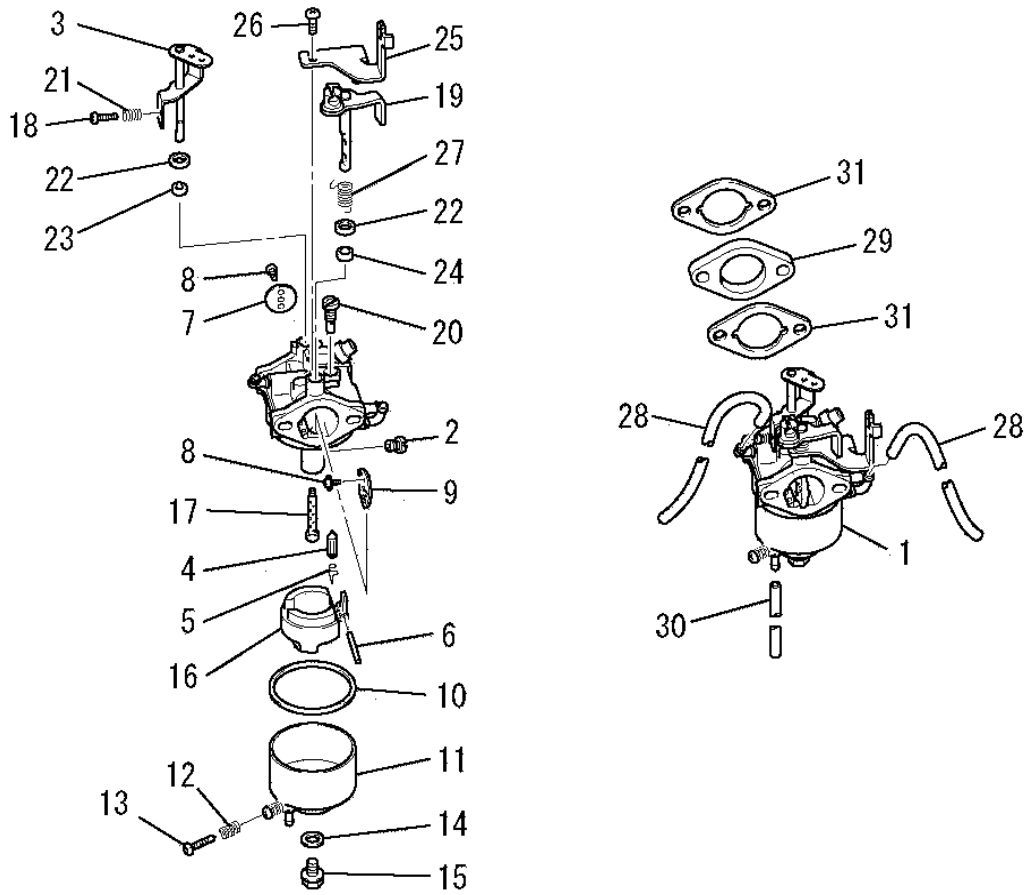
No.	R/N	Parts No.	Parts Name	No. Req'd	Inte	Remarks	Serial No. (From~To)
1		KA01079AA	AIR CLEANER ASSY	1		INCL. NO. 2-4	
2		KA01079AA002	COVER, CLEANER	1			
3		KA01079AA003	ELEMENT, CLEANER	1			
4		KA90124BA	BOLT	1			
5		KL41003AA	TUBE, BREATHER	1			
6		B155B06X095	BOLT, STUD	2			
7		B800A06X016	BOLT, FLANGE	1			
8		N801A06	NUT, FLANGE	2			
9		KW34058AA	GASKET, CARBURETOR	1			

(I) CARBURETOR GROUP



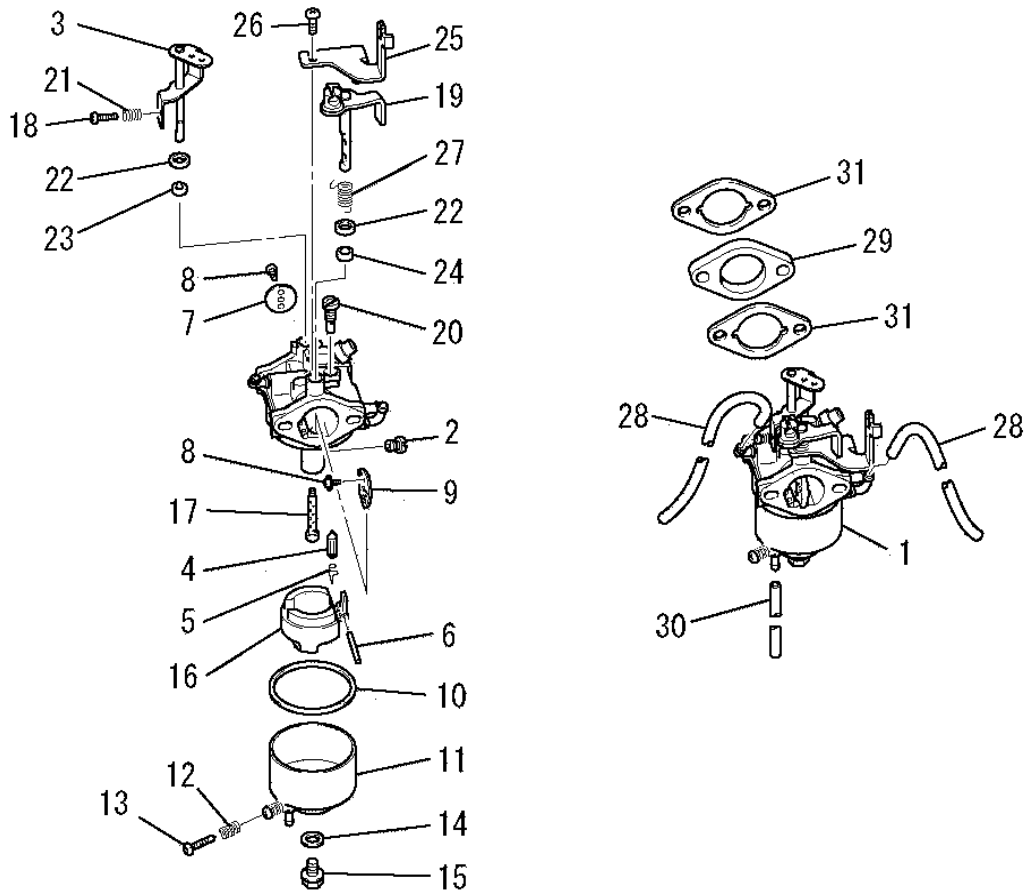
No.	R/N	Parts No.	Parts Name	No. Req'd	Inte	Remarks	Serial No. (From~To)
1		KK11009FF	CARBURETOR (F)	1		INCL. NO. 2-27	
2		KK11011FF002	JET, MAIN	1			
3		KK11010AB003	SHAFT, THROTTLE	1			
4		KK11011FF100	VALVE, NEEDLE	1			
5		KK12008AE011	CLIP	1			
6		FA27080XX006	PIN	1			
7		KK11009AA007	VALVE, THROTTLE	1			
8		KK15016AA005	SCREW	3			
9		KK11011FF009	VALVE, CHOKE	1			
10		FA27080XX011	GASKET	1			
11		KK11011FF011	CHAMBER, FLOAT	1		INCL. NO. 12, 13	
12		FA27080XX003	SPRING	1			

(I) CARBURETOR GROUP



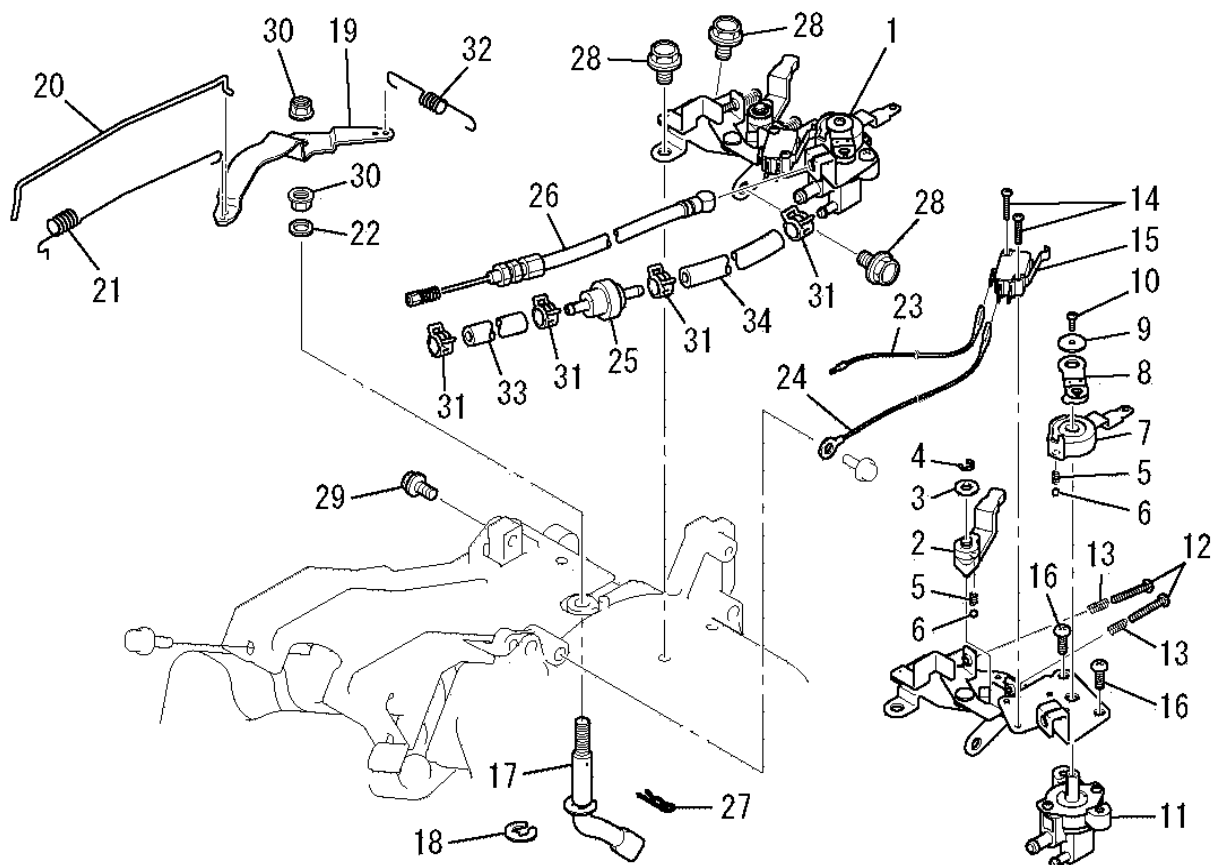
No.	R/N	Parts No.	Parts Name	No. Req'd	Inte	Remarks	Serial No. (From~To)
13		FA27080XX004	SCREW	1			
14		FA27080XX013	GASKET	1			
15		FA27080FX023	BOLT	1			
16		FA27080XX015	FLOAT	1			
17		KK11011FF015	NOZZLE, MAIN	1			
18		KK11009AA016	SCREW	1			
19		KK11011FF019	LEVER, CHOKE	1			
20		KK74508BA325	JET, PILOT	1			
21		KK11009AA021	SPRING	1			
22		KK12009AE015	PACKING	2			
23		KK12008AE016	SEAL	1			
24		KK11009AA025	SEAL	1			

(I) CARBURETOR GROUP



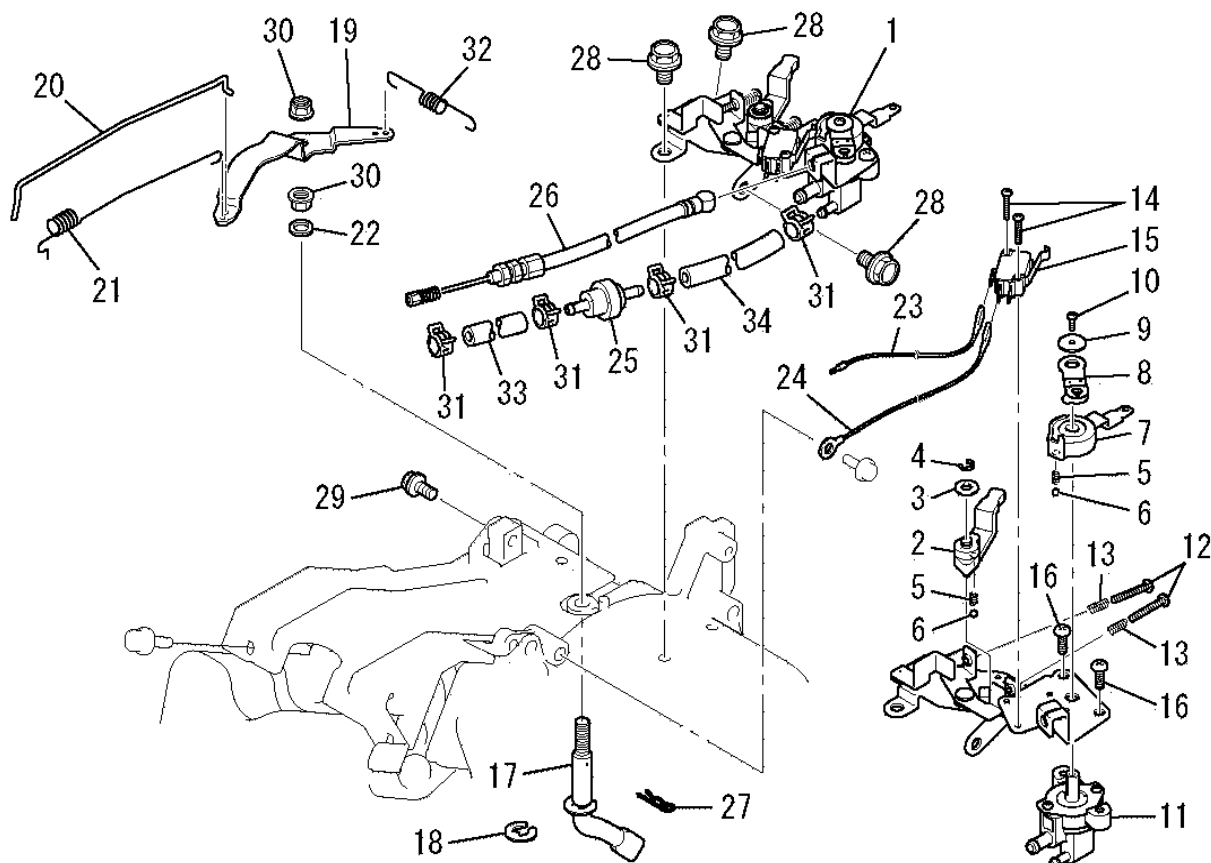
No.	R/N	Parts No.	Parts Name	No. Req'd	Inte	Remarks	Serial No. (From~To)
25		KK11011FF028	BRACKET	1			
26		KK11011FF029	SCREW	1			
27		KK11011FF030	SPRING	1			
28		KF70030AA	TUBE	2			
29		KK31027BA	INSULATOR	1			
30		FR64255C	TUBE, FUEL	1			
31		KW34058AA	GASKET, CARBURETOR	2			

(J) CONTROL PANEL GROUP



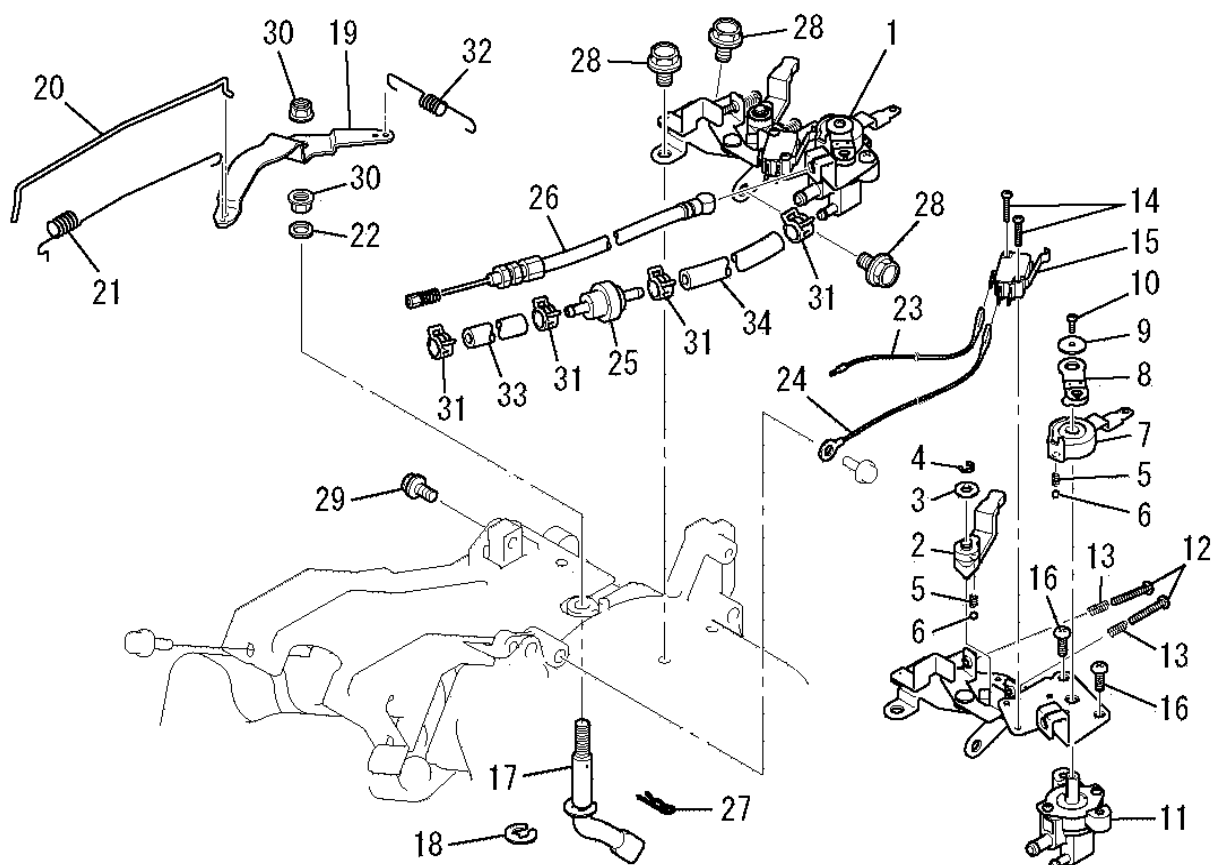
No.	R/N	Parts No.	Parts Name	No. Req'd	Inte	Remarks	Serial No. (From~To)
1		KG03038AA	PANEL, CONTROL	1		INCL. NO. 2-16	
2		KG33037AA	LEVER, CONTROL	1			
3		W200H06	WASHER	1			
4		S500P04	SNAP RING	1			
5		KG37020AA	SPRING	2			
6		KG37021AA	BALL, STEEL	2			
7		KG33038AA	LEVER, CONTROL	1			
8		KG37022AA	LEVER, CHOKE	1			
9		KG36006AA	WASHER	1			
10		H051D03X008	SCREW, PAN-CRS	1			
11		KF31030AA	COCK, FUEL	1			
12		KU14038AA	SCREW, PAN-CRS	2			

(J) CONTROL PANEL GROUP



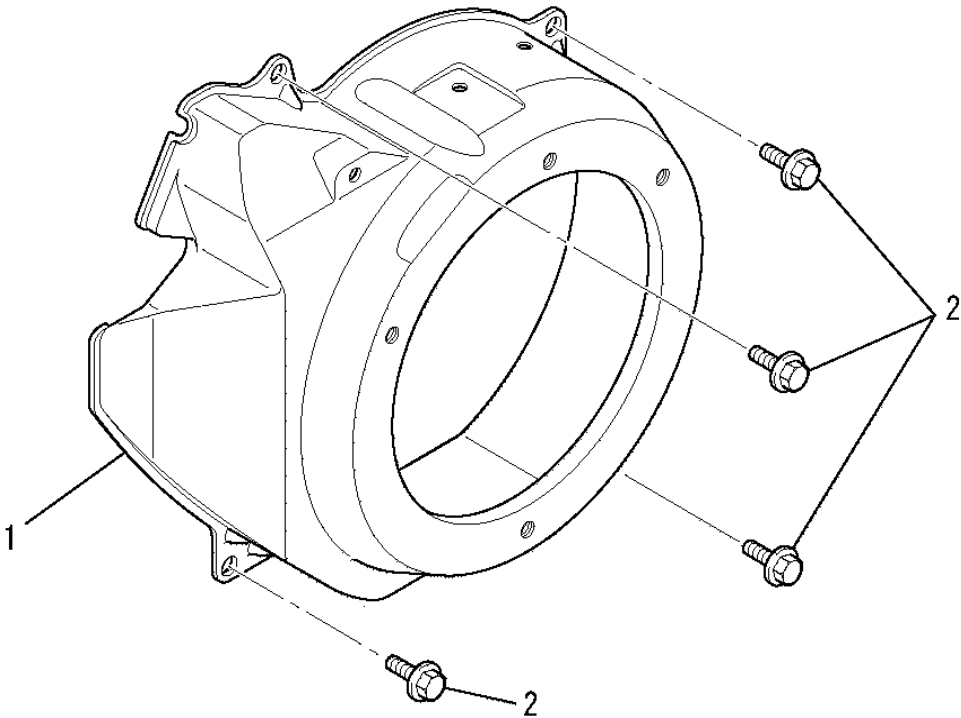
No.	R/N	Parts No.	Parts Name	No. Req'd	Inte	Remarks	Serial No. (From~To)
13		KU80023AA	SPRING	2			
14		HO51D03X016	SCREW, PAN-CRS	2			
15		KE80024AA	SWITCH, STOP	1			
16		HO51D05X012	SCREW, PAN-CRS	2			
17		KG22013AA	SHAFT, GOV	1		INCL. NO. 18	
18		S500P07	SNAP RING	1			
19		KG31018AA	LEVER, GOV	1			
20		KG41020AA	ROD, GOV	1			
21		KG42021AA	SPRING, ROD	1			
22		KG90023AA	WASHER	1			
23		KE90198CA	WIRE, LEAD	1			
24		KE90198DA	WIRE, LEAD	1			

(J) CONTROL PANEL GROUP



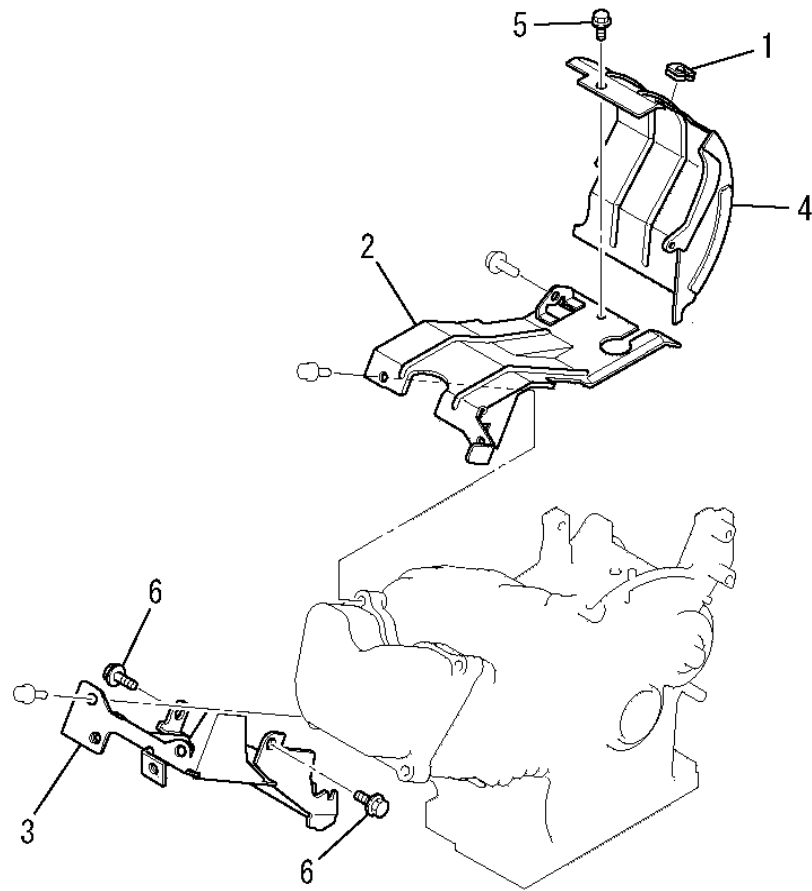
No.	R/N	Parts No.	Parts Name	No. Req'd	Inte	Remarks	Serial No. (From~To)
25		KF40008AA	FILTER, FUEL	1			
26		KR21034AA	WIRE, THROTTLE	1			
27		KU70006AA	CLIP	1			
28		B800A06X008K	BOLT, FLANGE	3			
29		B805B06X012	BOLT, FLANGE	1			
30		FR42734	NUT, FLANGE	2			
31		FR53226	CLIP	4			
32		KG34024AA	SPRING, GOV	1			
33		P051Y04X040	HOSE, FUEL	1			
34		P051Y04X120	HOSE, FUEL	1			

(K) FAN COVER GROUP



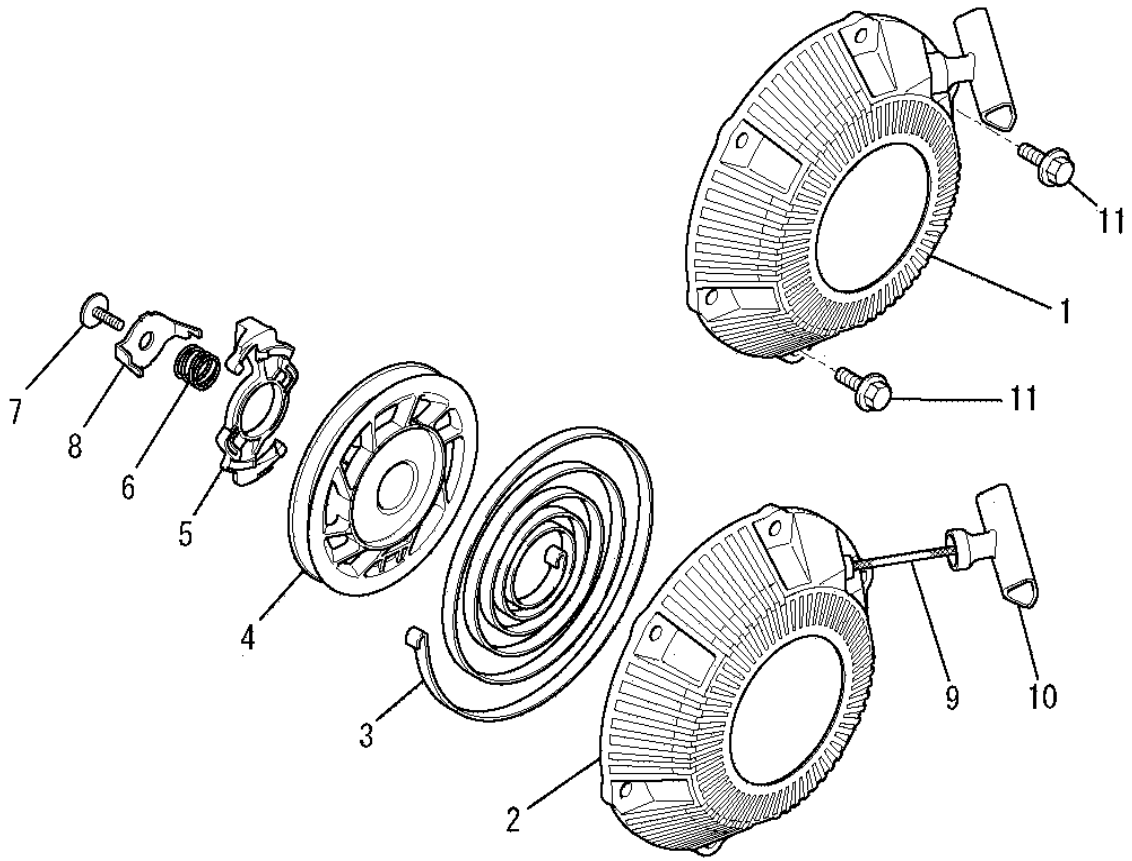
No.	R/N	Parts No.	Parts Name	No. Req'd	Inte	Remarks	Serial No. (From~To)
1		KH24004CD	COVER, FAN	1			
2		B805B06X012	BOLT, FLANGE	4			

(L) CYLINDER COVER GROUP



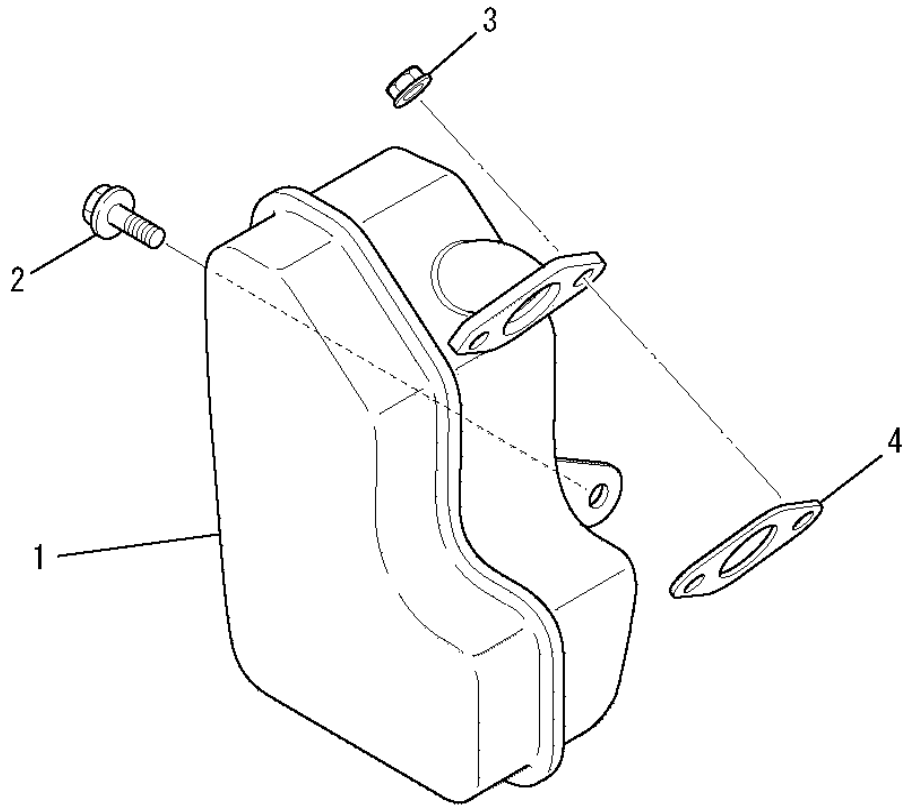
No.	R/N	Parts No.	Parts Name	No. Req'd	Inte	Remarks	Serial No. (From~To)
1		KE90001BA	GROMMET	1			
2		KH40075AA	COVER, TOP	1			
3		KH40076AA	COVER, CYLINDER	1			
4		KH40077AA	COVER, CYLINDER	1			
5		B800A06X008	BOLT, FLANGE	1			
6		B805B06X012	BOLT, FLANGE	2			

(R) RECOIL STARTER GROUP



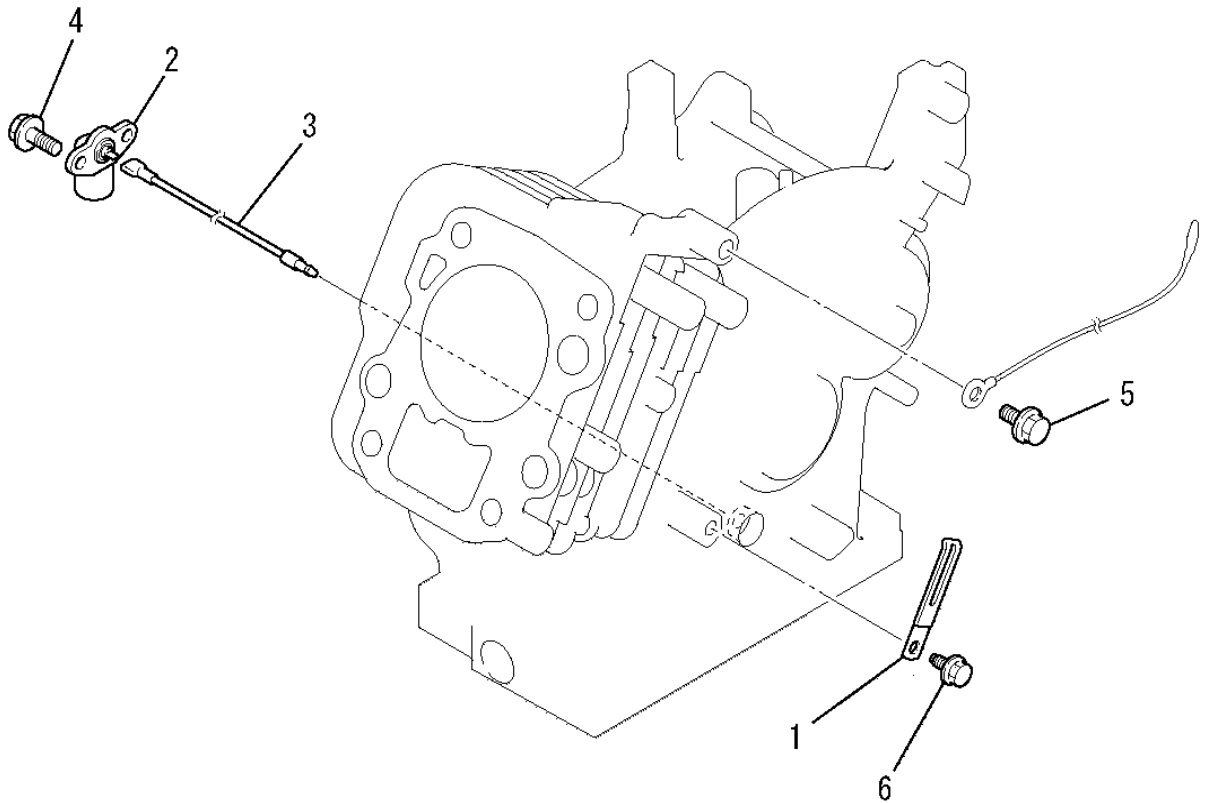
No.	R/N	Parts No.	Parts Name	No. Req'd	Inte	Remarks	Serial No. (From~To)
1		KS20080CD	RECOIL STARTER	1		INCL. NO. 2-10	
2		KS20080BD001	CASE, STARTER	1			
3		KS20080AD002	SPRING, SPIRAL	1			
4		KS20080BD003	REEL	1			
5		KS20080AD004	GUIDE	1			
6		KS20080AD005	SPRING, BRAKE	1			
7		KS20080AD006	SCREW	1			
8		KS20080AD007	RETAINER	1			
9		KS20080AD009	ROPE	1			
10		KS20080CD010	HANDLE	1			
11		B800A06X010K	BOLT, FLANGE	3			

(S) MUFFLER GROUP



No.	R/N	Parts No.	Parts Name	No. Req'd	Inte	Remarks	Serial No. (From~To)
1		KM15080BA	MUFFLER	1			
2		B805B06X012	BOLT, FLANGE	1			
3		ZZ70028C	NUT, CONICAL SPG	2			
4		KM70031AB	GASKET, MUFFLER	1			

(W) OIL SENSOR GROUP



No.	R/N	Parts No.	Parts Name	No. Req'd	Inte	Remarks	Serial No. (From~To)
1		FR64917	CLAMP	1			
2		KE09033AA	SENSOR, OIL	1			
3		KE90198BA	WIRE, LEAD	1			
4		B800A06X012	BOLT, FLANGE	2			
5		B805B06X012	BOLT, FLANGE	1			
6		KU12030AA	BOLT, FLANGE	1			