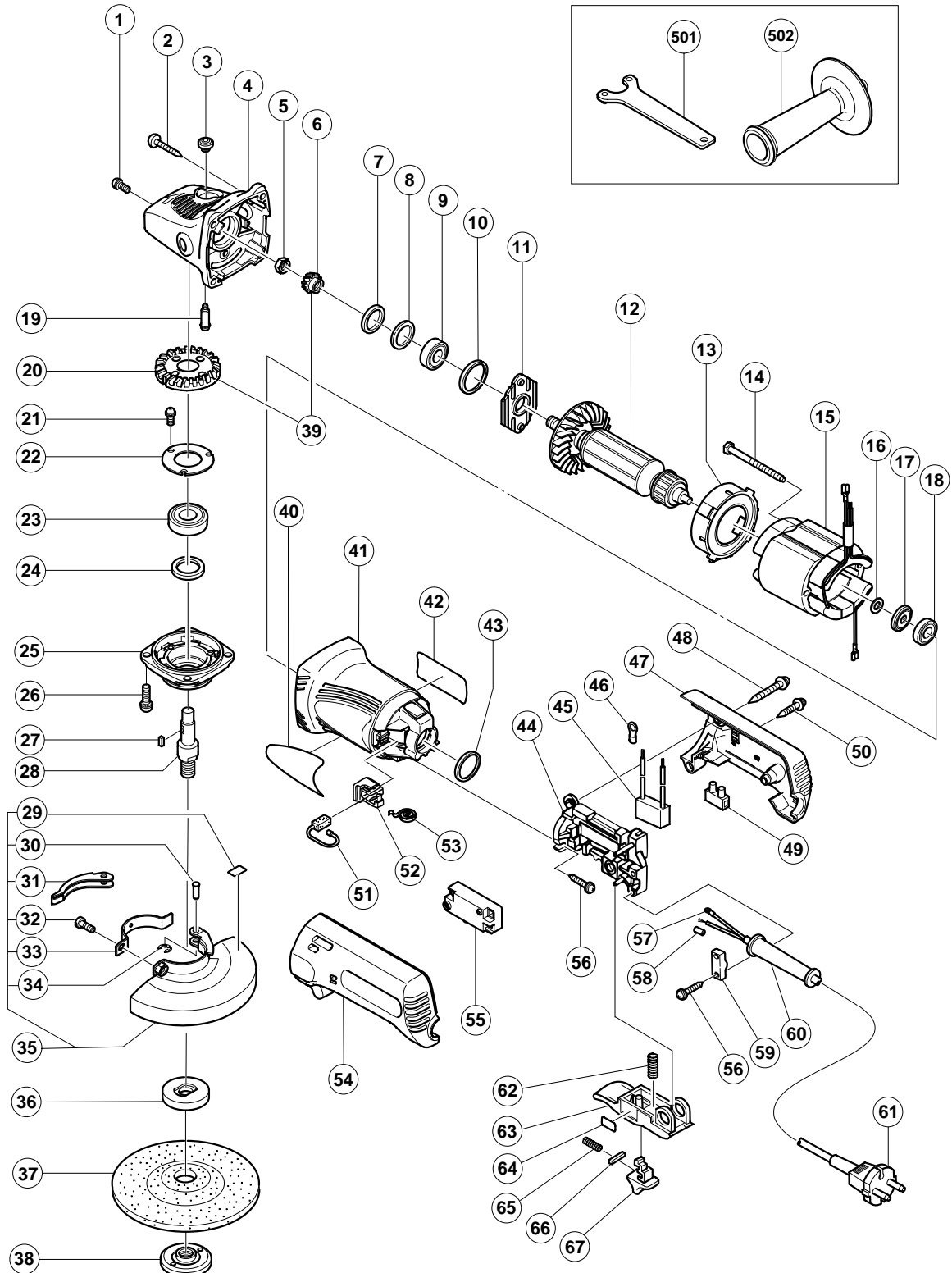


ELECTRIC TOOL PARTS LIST

■ DISC GRINDER
Model G 13SE2

2003 • 7 • 25
(E2)



PARTS

G 13SE2

| ITEM NO. | CODE NO. | DESCRIPTION | NO. USED | REMARKS |
|----------|----------|---|----------|---------------------|
| 1 | 303-255 | SEAL LOCK SCREW (W/SP. WASHER) M4X10 | 2 | |
| 2 | 320-523 | TAPPING SCREW D5X25 (BLACK) | 4 | |
| 3 | 301-944 | PUSHING BUTTON | 1 | |
| 4 | 321-737 | GEAR COVER ASS'Y | 1 | INCLUD. 3, 19 |
| 5 | 949-558 | NUT M8 (10 PCS.) | 1 | |
| 6 | 308-541 | PINION | 1 | |
| 7 | 308-543 | SEAL RING (A) | 1 | |
| 8 | 980-866 | WASHER (C) | 1 | |
| 9 | 629-T12 | BALL BEARING 629T12DDC3PS2-L | 1 | |
| 10 | 957-754 | RUBBER RING | 1 | |
| 11 | 321-734 | BEARING COVER | 1 | |
| * 12 | 360-603U | ARMATURE ASS'Y 110V-120V | 1 | INCLUD. 9, 16-18 |
| * 12 | 360-619E | ARMATURE 230V | 1 | |
| * 12 | 360-603E | ARMATURE 230V-240V | 1 | FOR NZL, AUS |
| 13 | 321-732 | FAN GUIDE | 1 | |
| 14 | 982-021 | HEX. HD. TAPPING SCREW D4X70 | 2 | |
| * 15 | 340-551C | STATOR 110V | 1 | |
| * 15 | 340-551D | STATOR 120V | 1 | |
| * 15 | 340-551E | STATOR 230V | 1 | |
| * 15 | 340-551F | STATOR 240V | 1 | |
| * 16 | 311-737 | THRUST WASHER | 1 | EXCEPT FOR NZL, AUS |
| * 17 | 311-435 | DUST SEAL (A) | 1 | |
| * 17 | 315-877 | DUST SEAL | 1 | FOR NZL, AUS |
| 18 | 608-VVM | BALL BEARING 608VVC2PS2L | 1 | |
| 19 | 301-943 | LOCK PIN | 1 | |
| 20 | 321-736 | GEAR | 1 | |
| 21 | 991-207 | SEAL LOCK SCREW (W/SP. WASHER) M4X8 | 3 | |
| 22 | 936-680 | BEARING COVER (B) | 1 | |
| 23 | 620-1DD | BALL BEARING 6201DDCMPS2L | 1 | |
| 24 | 308-546 | FELT PACKING | 1 | |
| 25 | 308-545 | PACKING GLAND | 1 | |
| 26 | 307-046 | SEAL LOCK SCREW (W/SP. WASHER) M5X16 | 4 | |
| 27 | 944-109 | FEATHER KEY 3X3X8 | 1 | |
| * 28 | 994-301 | SPINDLE (A) | 1 | |
| * 28 | 994-302 | SPINDLE (B) | 1 | FOR USA, CAN |
| 29 | 311-492 | LABEL | 1 | |
| 30 | 311-744 | SET PIN | 1 | |
| 31 | 311-743 | LEVER | 1 | |
| 32 | 880-734 | MACHINE SCREW (W/WASHERS) M5X25 (BLACK) | 1 | |
| 33 | 311-491 | SET PIECE (B) | 1 | |
| 34 | 874-759 | RETAINING RING (E-TYPE) FOR D2.5 SHAFT | 1 | |
| 35 | 311-742 | WHEEL GUARD ASS'Y | 1 | INCLUD. 29-34 |
| * 36 | 937-817Z | WHEEL WASHER | 1 | |
| * 36 | 937-922P | WHEEL WASHER (B) FOR D5/8" HOLE | 1 | FOR USA, CAN |
| 37 | 316-822 | D. C. WHEELS 125MM A36Q (25 PCS.) | 1 | |
| * 38 | 994-324 | WHEEL NUT M14 | 1 | |
| * 38 | 937-923P | WHEEL NUT 5/8"-11UNC | 1 | FOR USA, CAN |
| 39 | 321-735 | GEAR AND PINION ASS'Y | 1 | INCLUD. 6, 20 |
| 40 | | HITACHI LABEL | 1 | |
| 41 | 321-731 | HOUSING | 1 | |
| 42 | | NAME PLATE | 1 | |

