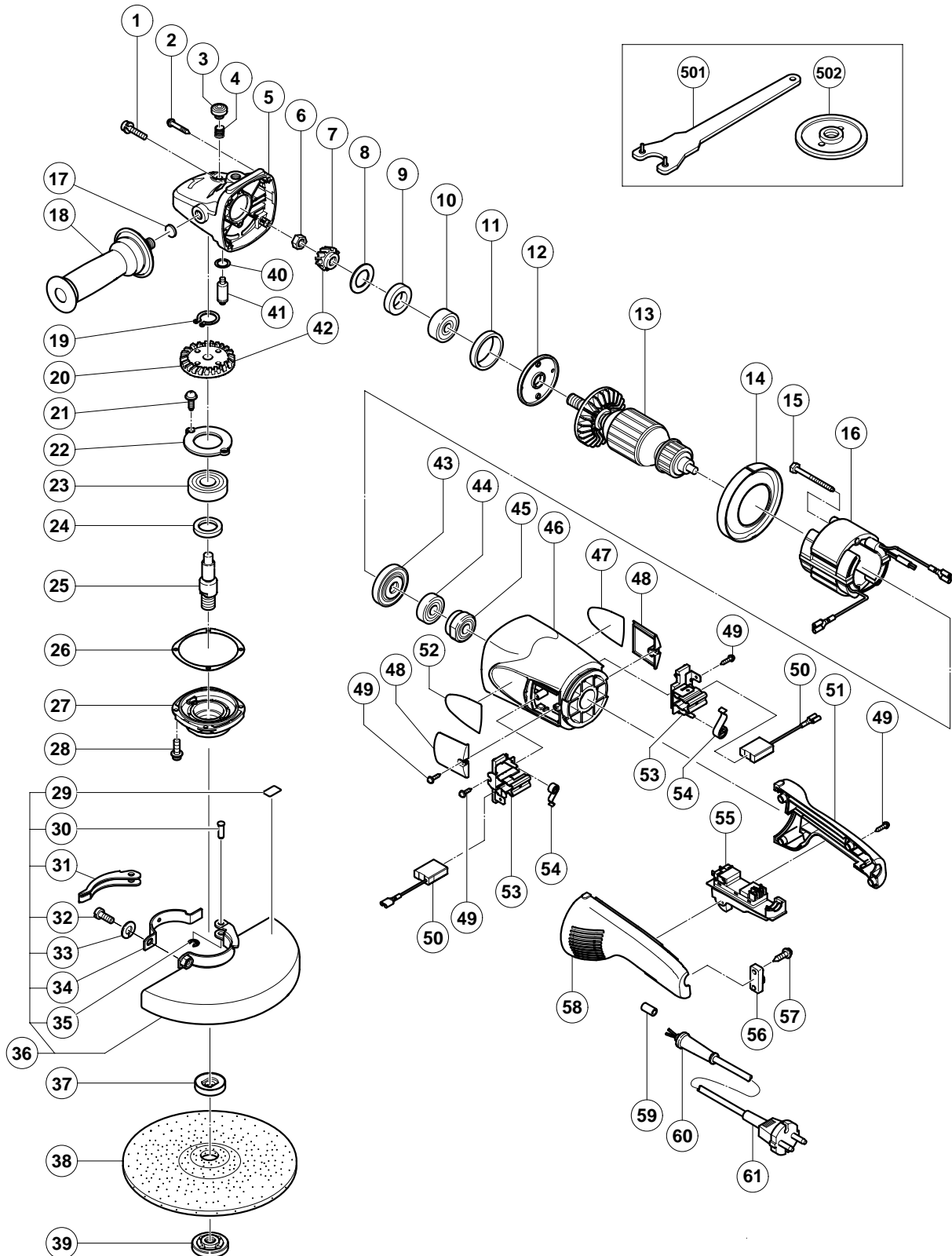


ELECTRIC TOOL PARTS LIST

■ DISC GRINDER
Model G 23SE2

2002・11・30
(E1)



PARTS

G 23SE2

ITEM NO.	CODE NO.	DESCRIPTION	NO. USED	REMARKS
1	315-636	SEAL LOCK SCREW (W/SP.WASHER) M5X14 (BLACK)	2	
2	301-654	TAPPING SCREW (W/FLANGE) D5X35	4	
3	306-888	PUSHING BUTTON	1	
4	320-219	SPRING	1	
5	320-217	GEAR COVER ASS'Y	1	INCLUD. 3, 4, 17, 40, 41
6	320-226	SPECIAL NUT M10	1	
7	320-225	PINION	1	
8	320-221	SEAL WASHER	1	
9	320-222	FELT PACKING	1	
10	630-1DD	BALL BEARING 6301DDCMPS2L	1	
11	994-208	RUBBER RING (B)	1	
12	320-220	BEARING COVER (A)	1	
* 13	360-594E	ARMATURE 220V-230V	1	
* 13	360-594F	ARMATURE 240V	1	
14	320-215	FAN GUIDE	1	
15	984-271	HEX. HD. TAPPING SCREW D5X75	2	
* 16	340-546E	STATOR 220V-230V	1	
* 16	340-546F	STATOR 240V	1	
17	937-033	FELT WASHER	1	
18	321-542	SIDE HANDLE	1	
19	939-542	RETAINING RING FOR D12 SHAFT (10 PCS.)	1	
20	320-224	GEAR	1	
21	949-236	MACHINE SCREW M5X10 (10 PCS.)	2	
22	320-229	BEARING COVER (B)	1	
23	630-2DD	BALL BEARING 6302DDCMPS2L	1	
24	990-852	FELT PACKING (B)	1	
25	320-234	SPINDLE	1	
26	320-228	SEAL PLATE	1	
27	320-227	PACKING GLAND	1	
28	994-192	HEX. SOCKET HD. BOLT (W/FLANGE) M5X16	4	
29	311-492	LABEL	1	
30	321-546	SET PIN	1	
31	321-545	LEVER	1	
32	306-887	BOLT M8X22	1	
33	949-457	SPRING WASHER M8 (10 PCS.)	1	
34	321-544	SET PIECE	1	
35	673-489	RETAINING RING (E-TYPE) FOR D5 SHAFT	1	
36	321-547	WHEEL GUARD ASS'Y	1	INCLUD. 29-35
* 37	937-907Z	WHEEL WASHER (A)	1	
* 37	937-908Z	WHEEL WASHER (B)	1	FOR NZL, AUS
* 38	316-825	D. C. WHEELS 230MM A24R (25 PCS.)	1	FOR NZL, AUS, SAF
39	937-909Z	WHEEL NUT M14X2	1	
40	320-218	O-RING	1	
41	306-890	LOCK PIN	1	
42	320-223	GEAR AND PINION ASS'Y	1	INCLUD. 7, 20
43	320-216	DUST SEAL	1	
44	600-0VV	BALL BEARING 6000VVCMP2L	1	
45	321-536	BEARING BUSHING	1	
46	321-535	HOUSING ASS'Y	1	INCLUD.45
* 47		NAME PLATE	1	
48	320-232	BRUSH COVER	2	

