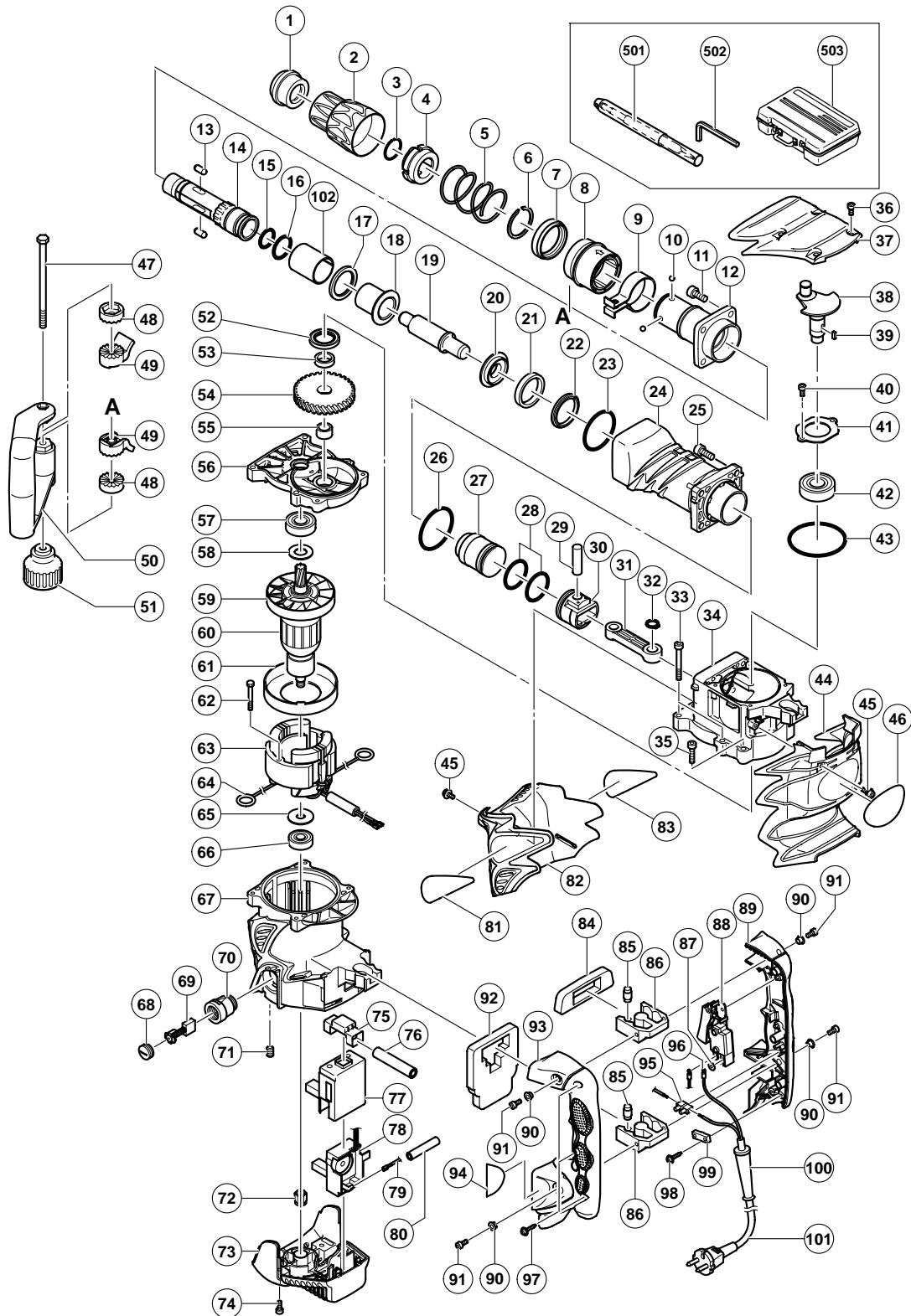


ELECTRIC TOOL PARTS LIST

■ DEMOLITION HAMMER
Model H 60MRV

2004 • 12 • 30

(E1)



PARTS

H 60MRV

ITEM NO.	CODE NO.	DESCRIPTION	NO. USED	REMARKS
1	315-529	FRONT CAP	1	
2	324-025	GRIP (A)	1	
3	320-803	RING	1	
4	320-804	NEEDLE HOLDER	1	
5	324-027	SPRING (A)	1	
6	317-088	RETAINING RING D42	1	
7	320-810	BALL HOLDER	1	
8	324-028	GRIP (B)	1	
9	320-635	BAND	1	
10	959-150	STEEL BALL D6.35 (10 PCS.)	4	
11	985-479	SEAL LOCK HEX. SOCKET HD. BOLT M8X25	4	
12	324-029	FRONT COVER	1	
13	313-421	NEEDLE ROLLER D8X20	2	
14	324-026	RETAINER SLEEVE	1	
15	872-470	O-RING (S-26)	1	
16	872-767	O-RING (S-32)	1	
17	317-094	DAMPER (B)	1	
18	324-030	HAMMER HOLDER (B)	1	
19	324-031	SECOND HAMMER	1	
20	317-091	HAMMER HOLDER (A)	1	
21	324-032	DAMPER (A)	1	
22	317-095	DAMPER WASHER	1	
23	317-119	O-RING (S-56)	1	
24	324-034	CYLINDER CASE	1	
25	995-400	HEX. SOCKET HD. BOLT (W/FLANGE) M8X30	4	
26	956-996	O-RING (1AS-60)	1	
27	324-033	STRIKER	1	
28	985-454	O-RING (A) (FPM810)	2	
29	301-509	PISTON PIN	1	
30	317-084	PISTON	1	
31	317-082	CONNECTING ROD	1	
32	939-543	RETAINING RING FOR D14 SHAFT (10 PCS.)	1	
33	301-567	SEAL LOCK HEX. SOCKET HD. BOLT M6X55	4	
34	324-035	CRANK CASE	1	
35	324-056	SEAL LOCK HEX. SOCKET HD. BOLT M6X35	2	
36	990-079	SEAL LOCK HEX. SOCKET HD. BOLT M5X16	4	
37	324-037	CRANK COVER	1	
38	317-078	CRANK SHAFT	1	
39	940-533	FEATHER KEY 3X3X10	1	
40	984-509	SEAL LOCK HEX. SOCKET HD. BOLT M5X14	2	
41	985-443	BEARING COVER	1	
42	620-4DD	BALL BEARING 6204DDCMPS2L	1	
43	301-506	O-RING (S-75)	1	
44	324-038	BACK COVER	1	
45	998-471	HEX. SOCKET HD. BOLT M5X12	3	
46		NAME PLATE	1	
47	317-107	BOLT M8	1	
48	317-106	HANDLE HOLDER (B)	2	
49	317-105	HANDLE HOLDER (A)	2	
50	317-103	SIDE HANDLE ASS'Y	1	INCLUD. 9, 47-49, 51
51	317-108	GRIP	1	

PARTS

H 60MRV

ITEM NO.	CODE NO.	DESCRIPTION	NO. USED	REMARKS
52	995-403	OIL SEAL	1	
53	995-402	DISTANCE RING (C)	1	
54	317-080	FIRST GEAR	1	
55	985-442	NEEDLE BEARING (A) (BK1512)	1	
56	324-048	GEAR COVER ASS'Y	1	INCLUD. 55
57	620-3DD	BALL BEARING 6203DDCMPS2L	1	
58	992-841	BEARING WASHER	1	
59	996-370	FAN	1	
*	60	360-691C	ARMATURE ASS'Y 110V	1 INCLUD. 59
*	60	360-691U	ARMATURE ASS'Y 120V	1 INCLUD. 57-59, 65, 66
*	60	360-691E	ARMATURE ASS'Y 230V	1 INCLUD. 59
*	60	360-691F	ARMATURE ASS'Y 240V	1 INCLUD. 59
61	305-610	FAN GUIDE	1	
62	953-121	HEX. HD. TAPPING SCREW D5X50	2	
*	63	340-610C	STATOR ASS'Y (B) 110V	1 INCLUD. 64
*	63	340-610G	STATOR ASS'Y (B) 120V	1 INCLUD. 64
*	63	340-610E	STATOR ASS'Y (B) 230V	1 INCLUD. 64
*	63	340-610F	STATOR ASS'Y (B) 240V	1 INCLUD. 64
64	945-932	BRUSH TERMINAL	2	
65	944-954	BEARING WASHER	1	
66	620-1DD	BALL BEARING 6201DDCMPS2L	1	
67	324-040	HOUSING ASS'Y	1	INCLUD. 70, 71
68	940-540	BRUSH CAP	2	
69	999-074	CARBON BRUSH (AUTO STOP TYPE) (1 PAIR)	2	
70	956-984	BRUSH HOLDER	2	
71	938-477	HEX. SOCKET SET SCREW M5X8	2	
72	317-087	MAGNET	1	
73	324-041	TAIL COVER	1	
74	317-245	SEAL LOCK HEX. SOCKET HD. BOLT M5X22	2	
75	324-045	SLEEVE (B)	1	
76	322-530	VINYL TUBE	1	
77	317-100	CASE (B)	1	
*	78	324-050	CONTROLLER CIRCUIT 110V	1
*	78	324-051	CONTROLLER CIRCUIT 120V	1
*	78	324-052	CONTROLLER CIRCUIT 230V-240V	1
*	79	317-113	INTERNAL WIRE	1 EXCEPT FOR SIN, USA, CAN, IND
*	80		VINYL TUBE (I.D.7XT0.5X30)	2 FOR USA, CAN
81		HITACHI LABEL	1	
82	324-036	CRANK CASE COVER	1	
83		HITACHI LABEL	1	
84	324-046	HANDLE PACKING (A)	1	
85	310-124	HANDLE DAMPER	8	
86	310-123	TRANSATORY UNIT	2	
*	87	949-423	WASHER M4 (10 PCS.)	1 EXCEPT FOR SIN, NZL, USA, CAN, IND
88	306-143	SWITCH (B) (1P SCREW TYPE) W/LOCK	1	
89	324-042	HANDLE (A)	1	
90	991-711	DISTANCE PIECE (B)	4	
91	991-690	SEAL LOCK HEX. SOCKET HD. BOLT M5X12	4	
92	324-047	HANDLE PACKING (B)	1	
93	324-043	HANDLE (B)	1	
94		SDS MAX LABEL	1	

PARTS

H 60MRV

ITEM NO.	CODE NO.	DESCRIPTION	NO. USED	REMARKS
95	938-307	PILLAR TERMINAL	1	
* 96	980-063	TERMINAL	1	
* 96	930-804	TERMINAL M4.0 (10 PCS.)	1	FOR USA, CAN
97	307-028	TAPPING SCREW (W/FLANGE) D4X25 (BLACK)	3	
98	984-750	TAPPING SCREW (W/FLANGE) D4X16	2	
* 99	960-266	CORD CLIP	1	
* 99	981-987Z	CORD CLIP	1	FOR SUI
100	953-327	CORD ARMOR D8.8	1	
* 101	500-390Z	CORD	1	(CORD ARMOR D8.8)
* 101	500-408Z	CORD	1	(CORD ARMOR D8.8) FOR NZL, AUS
* 101	500-434Z	CORD	1	(CORD ARMOR D8.8) FOR USA, CAN
* 101	500-424Z	CORD	1	(CORD ARMOR D8.8) FOR SIN
* 101	500-465Z	CORD	1	(CORD ARMOR D8.8) FOR GBR (110V)
* 101	500-446Z	CORD	1	(CORD ARMOR D8.8) FOR GBR (230V)
* 101	500-391Z	CORD	1	(CORD ARMOR D8.8) FOR SUI
* 101	500-235Z	CORD	1	(CORD ARMOR D8.8) FOR IND
102	324-130	DAMPER (C)	1	

STANDARD ACCESSORIES

ITEM NO.	CODE NO.	DESCRIPTION	NO. USED	REMARKS
501	313-471	BULL POINT (SDS MAX) 280L	1	
502	872-422	HEX. BAR WRENCH 6MM	1	
503	324-049	CASE (PLASTIC)	1	

OPTIONAL ACCESSORIES

ITEM NO.	CODE NO.	DESCRIPTION	NO. USED	REMARKS
601	981-840	GREASE (A) FOR HAMMER. HAMMER DRILL (30G)	1	
602	308-471	GREASE FOR HAMMER. HAMMER DRILL (70G)	1	
* 603	980-927	GREASE FOR HAMMER. HAMMER DRILL (500G)	1	EXCEPT FOR USA, CAN
604	313-471	BULL POINT (SDS MAX) 280L	1	
605	313-472	BULL POINT (SDS MAX) 400L	1	
606	313-473	COLD CHISEL (SDS MAX) 280MM	1	
607	313-474	COLD CHISEL (SDS MAX) 400MM	1	
608	313-475	CUTTER (SDS MAX) W50X400L	1	
609	313-476	SCOOP (SDS MAX) 400L	1	
610	313-477	BUSHING TOOL (SDS MAX)	1	
611	313-478	RAMMER (SDS MAX) 150MM X 150MM	1	
612	313-479	SHANK (SDS MAX)FOR RAMMER, BUSHING TOOL	1	