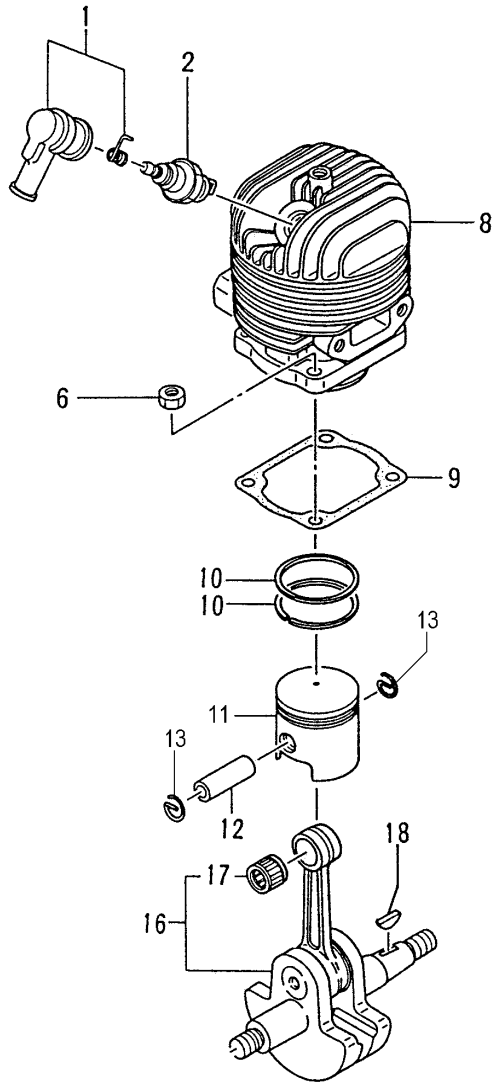
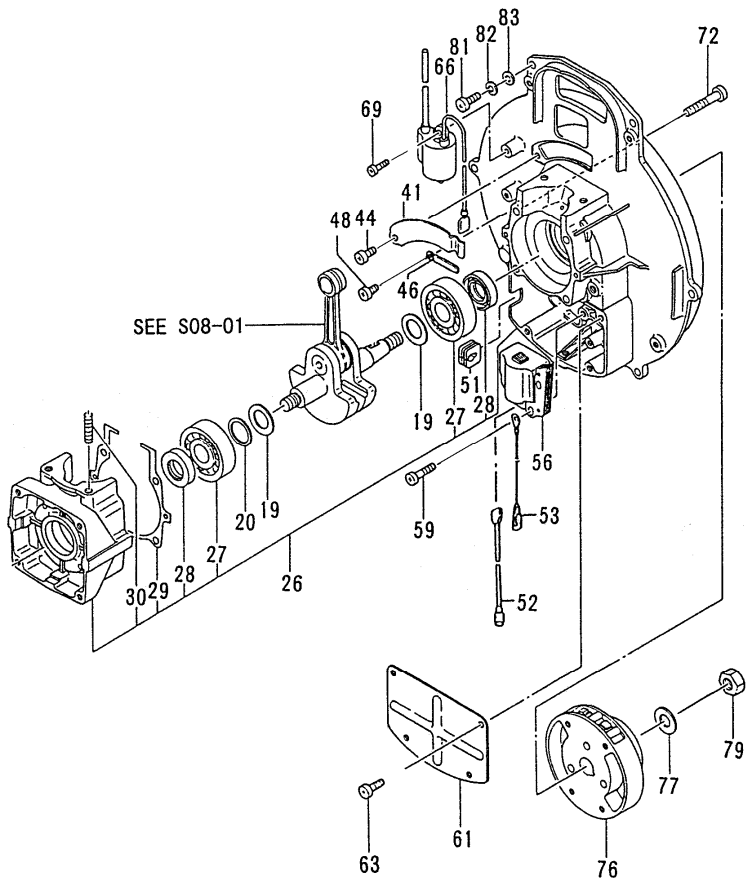


S08-01 RB100EF CYLINDER/PISTON/CRANK SHAFT

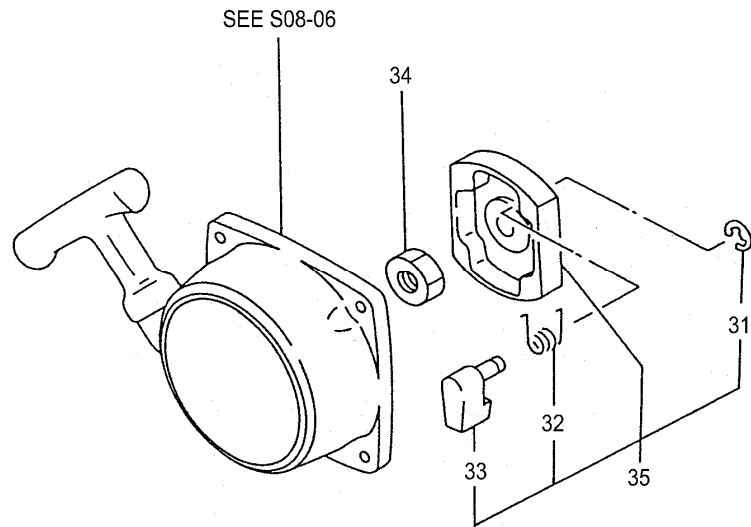


REF. NUMBER	PARTS NUMBER	DESCRIPTION	Q'TY	SERIAL NUMBER
001	157-01570-90	SPARK PLUG CAP ASS'Y	1	
002	018-01700-21	SPARK PLUG BMR7A	1	
006	994-40060-011	SPRING NUT 6	4	
008	002-05024-21	CYLINDER	1	
009	017-02100-20	CYLINDER GASKET	1	
010	041-05000-20	PISTON RING	2	
011	031-05004-81	PISTON COMP.	1	
012	037-01000-20	PISTON PIN 10X30	1	
013	039-05004-20	PISTON PIN CIRCLIP	2	
016	046-05004-83	CRANK SHAFT COMP.	1	
017	999-62101-004	NEEDLE BRG F1010B 1.4X8	1	
018	068-02000-20	WOOD-RUFF KEY 3X13X5	1	

S08-02 RB100EF CRANK CASE

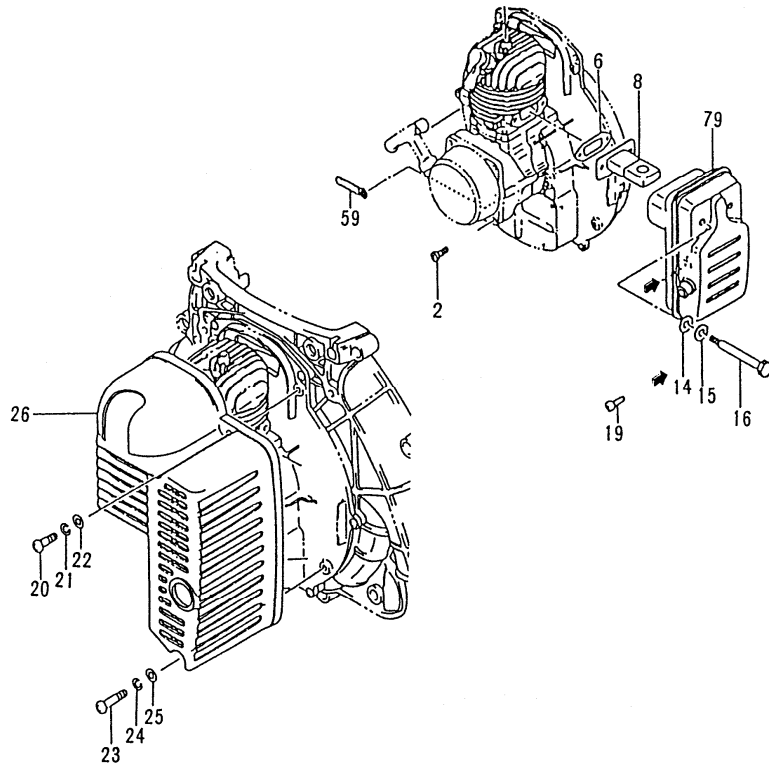


REF. NUMBER	PARTS NUMBER	DESCRIPTION	Q'TY	SERIAL NUMBER
019	070-10700-20	CRANK SHAFT WASHER	2	
020	071-11109-20	CRANK SHAFT SHIM 0.05	V	
020	071-11109-21	CRANK SHAFT SHIM 0.10	V	
020	071-11109-22	CRANK SHAFT SHIM 0.15	V	
020	071-11109-23	CRANK SHAFT SHIM 0.20	V	
020	071-11109-24	CRANK SHAFT SHIM 0.30	V	
026	072-05031-90	CRANK CASE ASS'Y	1	
027	999-61630-301	BALL BEARING #6303ZZ, 47	2	
028	999-66173-066	OIL SEAL UE17307	2	
029	090-05004-21	CRANK CASE GASKET	1	
030	100-12000-20	STUD BOLT 6X26	4	
041	665-05004-20	CASE PLATE	1	
044	994-14050-101	SCREW 5X10/S	1	
046	198-05015-80	CORD CLAMP COMP.	1	
048	994-13050-101	SCREW 5X10/P	1	
051	203-0604A-20	GROMMET	1	
052	178-0616M-80	STOP CORD, B230M	1	
053	274-05029-80	CORD B 230M	1	
056	162-21519-80	EXCITER COMP.	1	
059	994-16050-221	SCREW 5X22/WS	2	
061	195-05015-20	COIL COVER	1	
063	994-14050-101	SCREW 5X10/S	4	
066	167-21519-80	IGNITION COIL COMP.	1	
069	994-15040-151	SCREW 4X15PS	2	
072	994-61060-354	HEX.HOLE BOLT 6X35/S	4	
076	155-21526-80	MAGNETO ROTOR COMP.	1	
077	992-00100-011	SMALL WASHER 10	1	
079	991-11100-011	NUT 10	1	
081	990-11050-151	SCREW 5X15	6	
082	992-10050-012	S.WASHER 5	6	
083	992-00050-011	SMALL WASHER 5	6	

S08-03**RB100EF STARTER PULLEY**

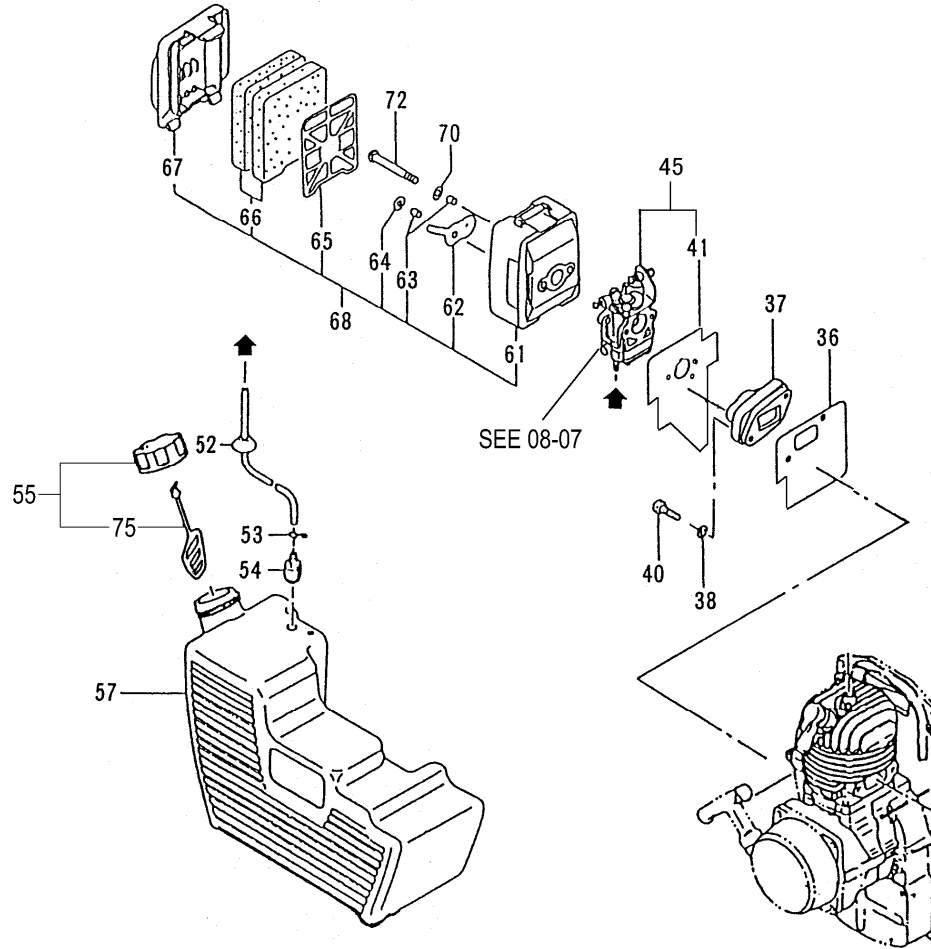
REF. NUMBER	PARTS NUMBER	DESCRIPTION	Q'TY	SERIAL NUMBER
031	993-55050-000	STOP RING E-5	1	
032	790-0162V-20	STARTER PAWL SPRING	1	
033	788-0162V-20	STARTER PAWL	1	
034	991-11100-013	SMALL NUT 10	1	
035	798-04220-90	STARTER PULLEY	1	

S08-04 RB100EF ENGINE-1



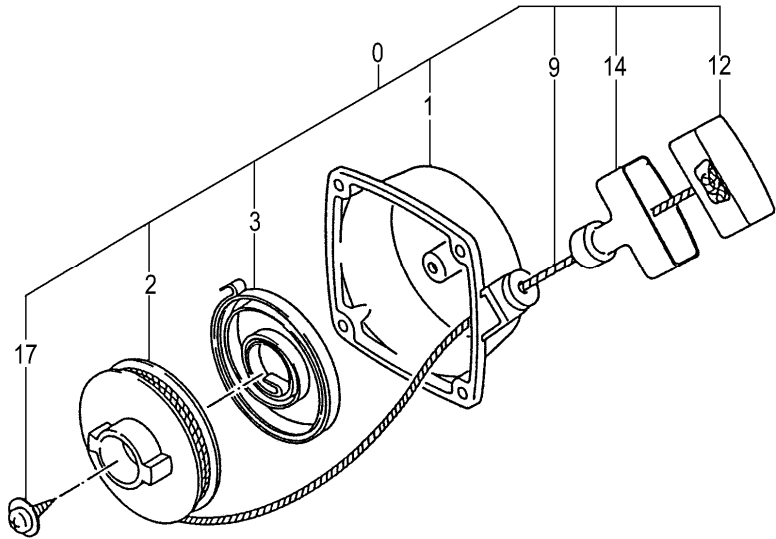
REF. NUMBER	PARTS NUMBER	DESCRIPTION	Q'TY	SERIAL NUMBER
002	994-15050-161	SCREW 5X16/PS	4	
006	737-05004-20	MUFFLER GASKET	1	
008	719-05008-80	MUFFLER PIPE COMP.	1	
014	751-05004-21	MUFFLER SPECIAL GASKE	2	
015	992-01080-011	WASHER 8	2	
016	750-05004-20	MUFFLER BOLT	2	
019	994-15060-121	SCREW 6X12/PS	1	
020	990-11050-181	SCREW 5X18	2	
021	992-10050-012	S.WASHER 5	2	
022	992-00050-011	SMALL WASHER 5	2	
023	990-11060-201	SCREW 6X20	1	
024	992-10060-012	S.WASHER 6	1	
025	992-00060-011	SMALL WASHER 6	1	
026	738-05024-20	MUFFLER PROTECTOR A	1	
059	198-05015-80	CORD CLAMP COMP.	1	
079	706-05004-82	MUFFLER COMP.	1	

S08-05 RB100EF ENGINE-2



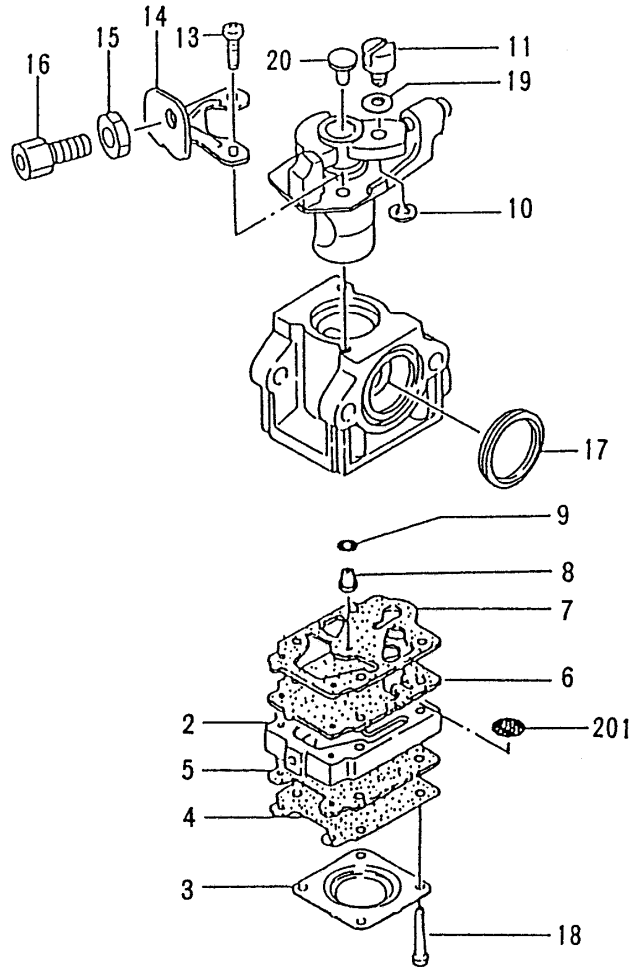
REF. NUMBER	PARTS NUMBER	DESCRIPTION	Q'TY	SERIAL NUMBER
036	403-05024-20	INLET MANIFOLD GASKET	1	
037	404-05024-80	CARBURETOR INSULATOR	1	
038	992-00050-011	SMALL WASHER 5	2	
040	994-14050-251	SCREW 5X25/S	2	
041	402-0602K-21	CARBURETOR GASKET	1	
045	455-05029-90	CARBURETOR ASS'Y PN	1	
052	223-05015-90	FUEL PIPE ASS'Y 3X5X280	1	
053	680-04001-20	CLIP 5.2	1	
054	675-01630-90	PUMP FILTER BODY ASS'Y	1	
055	595-01380-90	TANK CAP D ASS'Y, ORANGE	1	
057	591-05024-82	FUEL TANK COMP.	1	
061	423-04250-20	AIR CLEANER BODY	1	
062	528-0072Z-20	CHOKE VALVE	1	
063	470-0602K-20	COLLAR	2	
064	453-0602K-20	SPACER	1	
065	476-0634C-20	BLOW OVER CHECK BOARD	1	
066	446-0634C-20	CLEANER SPONGE	2	
067	424-0634C-20	CLEANER CAP	1	
068	410-04250-90	AIRCLEANER ASSY, CAA-3	1	
070	992-00050-011	SMALL WASHER 5	2	
072	994-14050-571	SCREW 5X57/S	2	
075	626-32550-20	TANK CAP CHAIN	1	

S08-06 RB100EF RECOIL STARTER



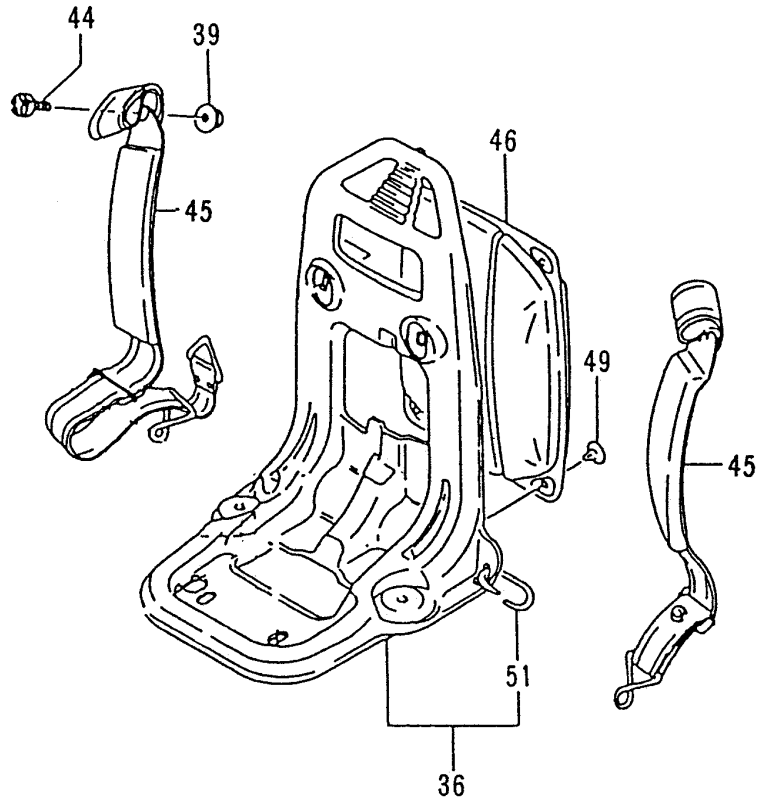
REF. NUMBER	PARTS NUMBER	DESCRIPTION	Q'TY	SERIAL NUMBER
000	762-04220-90	RECOIL STARTER BODY AS	1	
001	772-04220-80	RECOIL STARTER BODY C	1	
002	769-04220-20	STARTER ROPE REEL	1	
003	779-04220-20	RECOIL SPRING	1	
009	783-04270-20	STARTER ROPE	1	
012	785-04220-20	STARTER HANDLE	1	
014	835-04220-20	STARTER HANDLE CAP	1	
017	839-04220-20	SET SCREW	1	

S08-07 RB100EF CARBURETOR



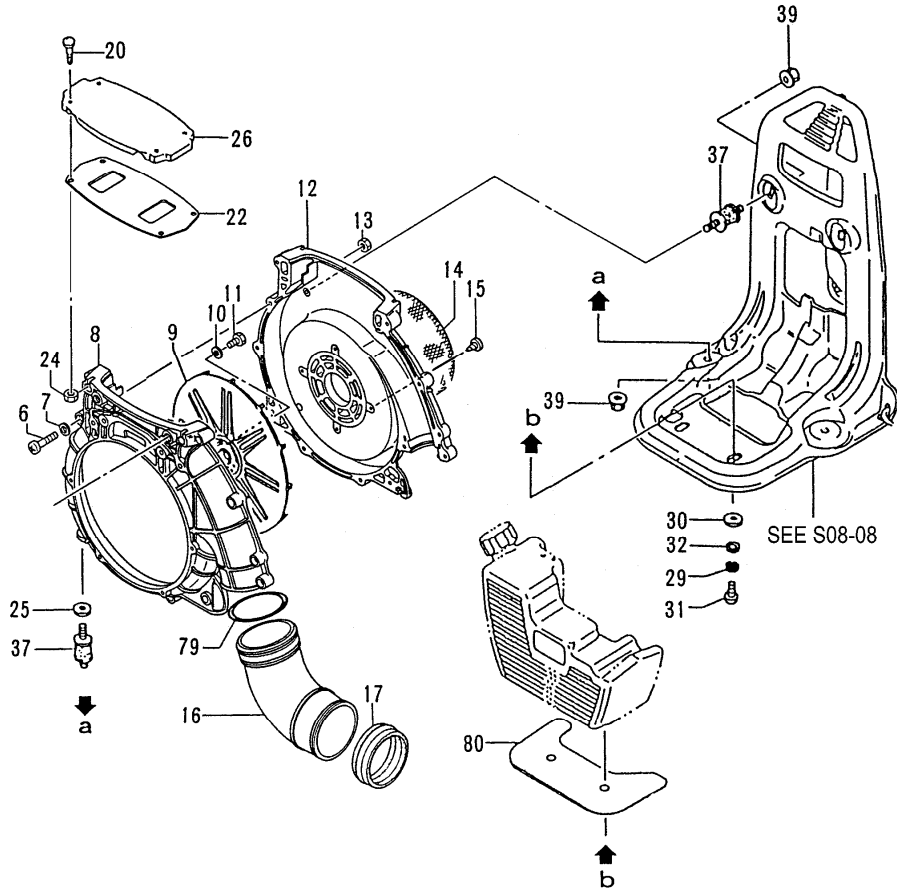
REF. NUMBER	PARTS NUMBER	DESCRIPTION	Q'TY	SERIAL NUMBER
002	575-25152-80	PUMP BODY COMP.	1	
003	476-25004-20	DIAPHRAGM COVER	1	
004	474-25001-80	METERING DIAPHRAGM CO	1	
005	475-25038-20	DIAPHRAGM GASKET	1	
006	576-25100-20	PUMP DIAPHRAGM	1	
007	577-25100-20	PUMP GASKET	1	
008	599-2000W-48	MAIN JET #48	1	
009	550-25100-20	O-RING	1	
010	489-25100-20	STOP RING	1	
011	539-25120-20	SWIVEL	1	
013	514-25100-20	THROTTLE SET SCREW	2	
014	544-25164-20	CABLE ADJUSTER STAY	1	
015	613-25100-20	CABLE ADJUST NUT	1	
016	614-25137-20	CABLE ADJUSTER	1	
017	431-0634C-20	CLEANER PACKING	1	
018	548-25101-20	SET SCREW	4	
019	549-25165-20	THRUST WASHER	1	
201	578-25007-20	INLET SCREEN	1	

S08-08 RB100EF FRAME



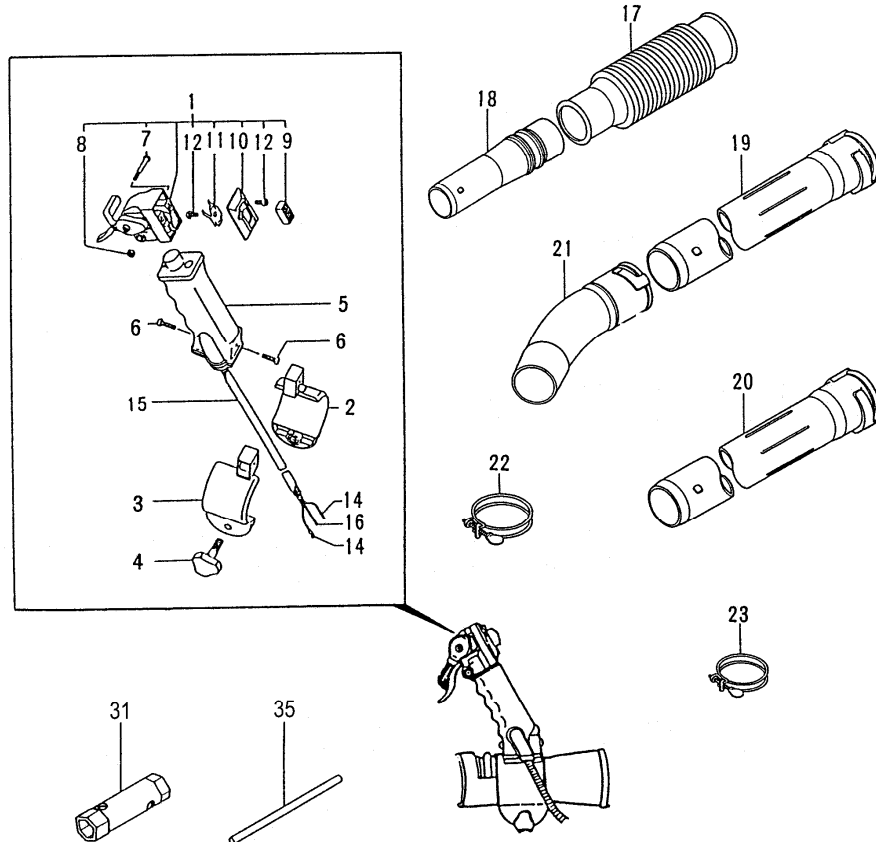
REF. NUMBER	PARTS NUMBER	DESCRIPTION	Q'TY	SERIAL NUMBER
036	020-31313-80	FRAME COMP., BLACK	1	
039	029-31313-20	SEPCIAL NUT 6	2	
044	990-14060-161	TRUSS SCREW 6X16	2	
045	022-31322-80	SHOULDER BELT COMP.	2	
046	021-31318-80	CUSHION PAD	1	
049	046-31316-20	FASTENER	4	
051	045-31313-20	HOLDING RING	2	

S08-09 RB100EF BLOWER



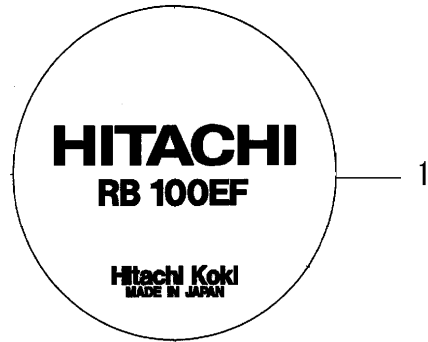
REF. NUMBER	PARTS NUMBER	DESCRIPTION	Q'TY	SERIAL NUMBER
006	990-11050-351	SCREW 5X35	13	
007	992-00050-011	SMALL WASHER 5	13	
008	010-31316-80	FANCASE E COMP.OR	1	
009	127-05018-20	FAN	1	
010	992-10060-042	S.WASHER 6	3	
011	990-21060-302	BOLT 6X30	3	
012	011-31310-21	FAN CASE S	1	
013	991-01050-012	NUT 5	13	
014	050-31307-20	PROTECTION NET	1	
015	993-11052-011	TAPPING SCREW 5X20	4	
016	270-31310-20	BLOW PIPE	1	
017	100-31310-20	PIPE BAND	1	
020	990-11060-301	SCREW 6X30	4	
022	593-31310-20	OIL SHEET GASKET	1	
024	991-01060-011	NUT 6	4	
025	029-31314-20	SPECIAL NUT 6	2	
026	052-31316-20	FANCASE COVER	1	
029	992-10060-012	S.WASHER 6	2	
030	027-31313-20	SPECIAL WASHER 3.2	2	
031	990-11060-181	SCREW 6X18	2	
032	992-01060-011	WASHER 6	2	
037	030-31305-20	CUSHION RUBBER	4	
039	029-31313-20	SEPCIAL NUT 6	4	
079	999-67070-020	O-RING V-70	1	
080	605-05018-20	FUEL TANK MOUNTING BA	1	

S08-10 RB100EF THROTTLE LEVER / TOOL

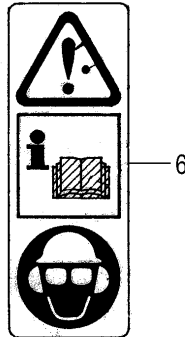


REF. NUMBER	PARTS NUMBER	DESCRIPTION	Q'TY	SERIAL NUMBER
001	013-31317-90	THROTTLE LEVER ASS'Y	1	
002	040-31317-80	LEVER BRACKET A	1	
003	041-31317-20	LEVER BRACKET B	1	
004	335-31317-80	HANDLE KNOB COMP.	1	
005	248-31317-20	GRIP	1	
006	993-11050-201	TAPPING SCREW 5X20	2	
007	994-31050-253	SCREW 5X25, BLACK	1	
008	991-86050-003	SELF-LOCK NUT 5, BLACK	1	
009	162-37101-20	STOP SWITCH	1	
010	259-37101-20	STOP SWITCH BASE	1	
011	262-37101-20	STOP SWITCH SPRING	1	
012	993-42030-082	TAPPING SCREW 3X8	3	
014	178-31317-80	CORD, B960M	2	
015	164-07087-00	PROTECTION TUBE 7X870L	1	
016	885-05029-80	THROTTLE WIRE COMP. 12	1	
017	101-31310-20	FLEXIBLE PIPE	1	
018	102-31310-20	SWIVEL PIPE	1	
019	103-31310-20	STRAIGHT PIPE (LONG)	1	
020	305-31310-20	STRAIGHT PIPE (SHORT)	1	
021	104-31310-20	BENT PIPE, BLACK	1	
022	110-31310-20	WIRE CLAMP 95	1	
023	111-31305-20	WIRE CLAMP 78	1	
031	826-20000-20	BOX SPANNER 17X19	1	
035	951-20000-20	HANDLE 8X120	1	

S08-11 RB100EF LABEL



IMPORTANT:
 USE CORRECT MIXTURE
 OF TWO-STROKE OIL
 AND GASOLINE.



REF. NUMBER	PARTS NUMBER	DESCRIPTION	Q'TY	SERIAL NUMBER
001	915-71300-20	STARTER MARK RB100EF	1	
005	921-05031-20	CAUTION MARK C	1	
006	920-32172-20	CAUTION MARK	1	