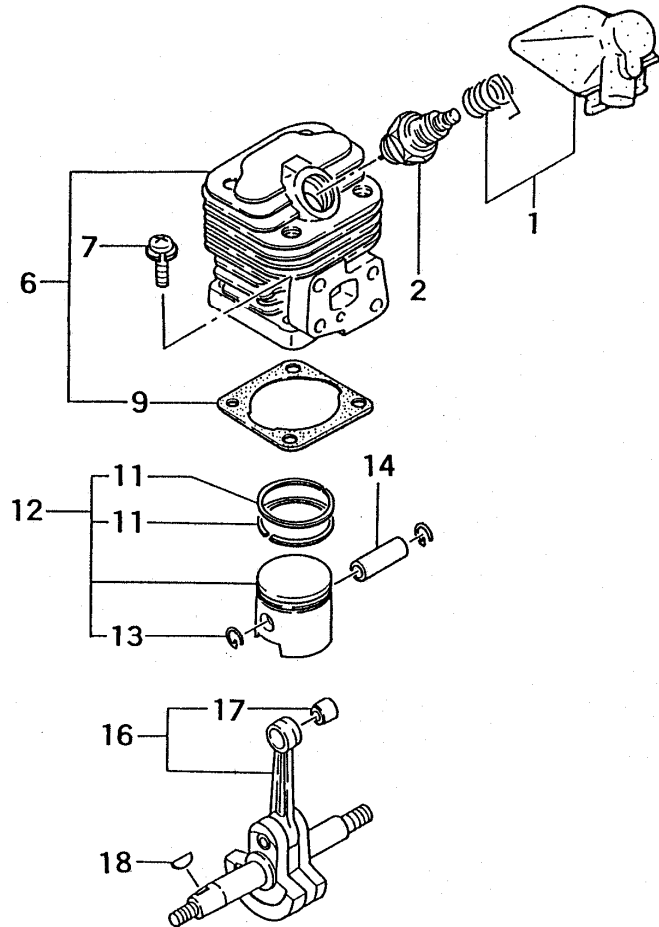
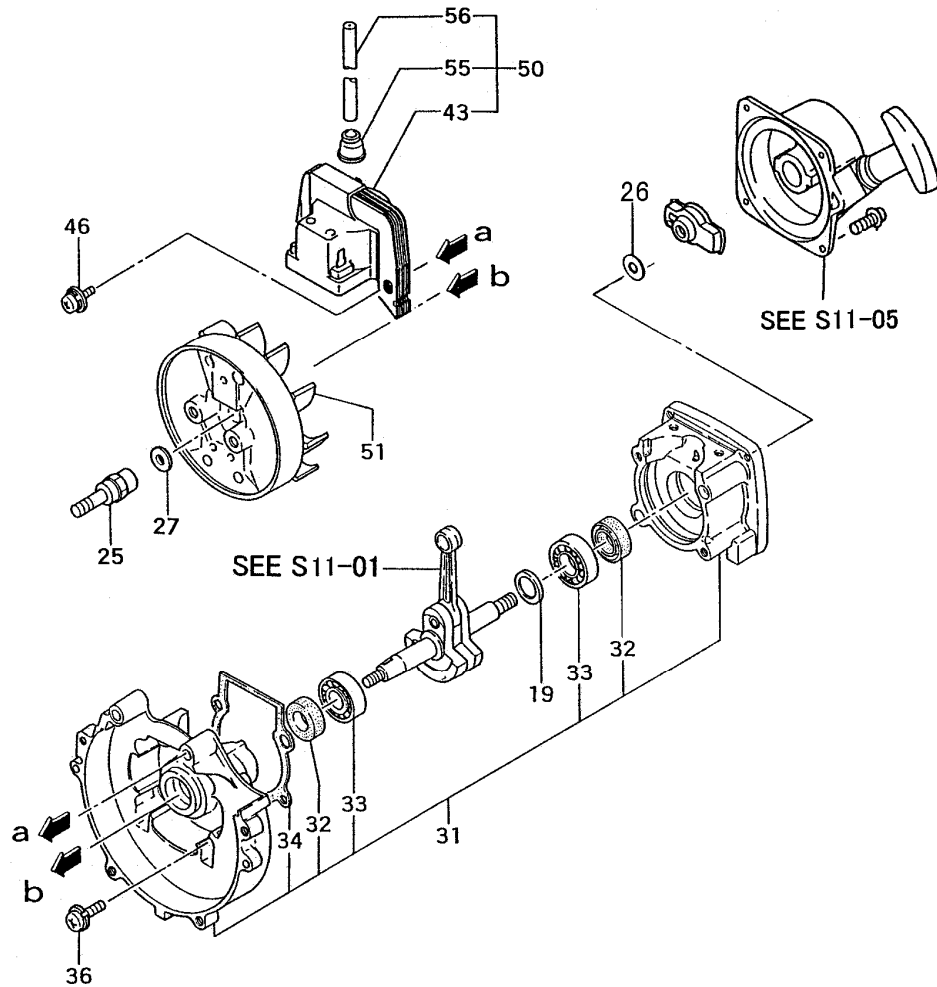


S11-01**RB85E CYLINDER/PISTON/CRANK SHAFT**

REF. NUMBER	PARTS NUMBER	DESCRIPTION	Q'TY	SERIAL NUMBER
001	157-0637P-91	SPARK PLUG CAP ASS'Y	1	
002	018-12710-20	SPARK PLUG BPMR7A	1	
006	001-0099F-90	CYLINDER SET	1	
007	994-61050-184	HEX. HOLE BOLT 5X18/S	4	
009	017-00980-20	CYLINDER GASKET	1	
011	041-01601-20	PISTON RING	2	
012	030-07045-90	PISTON SET	1	
013	039-00601-20	PISTON PIN CIRCLIP	2	
014	037-07045-20	PISTON PIN	1	
016	046-0631A-81	CRANK SHAFT COMP.	1	
017	999-62081-225	NEEDLE BRG F-810 1.4X8.5	1	
018	068-10100-20	WOOD-RUFF KEY 3X13X4.5	1	

S11-02

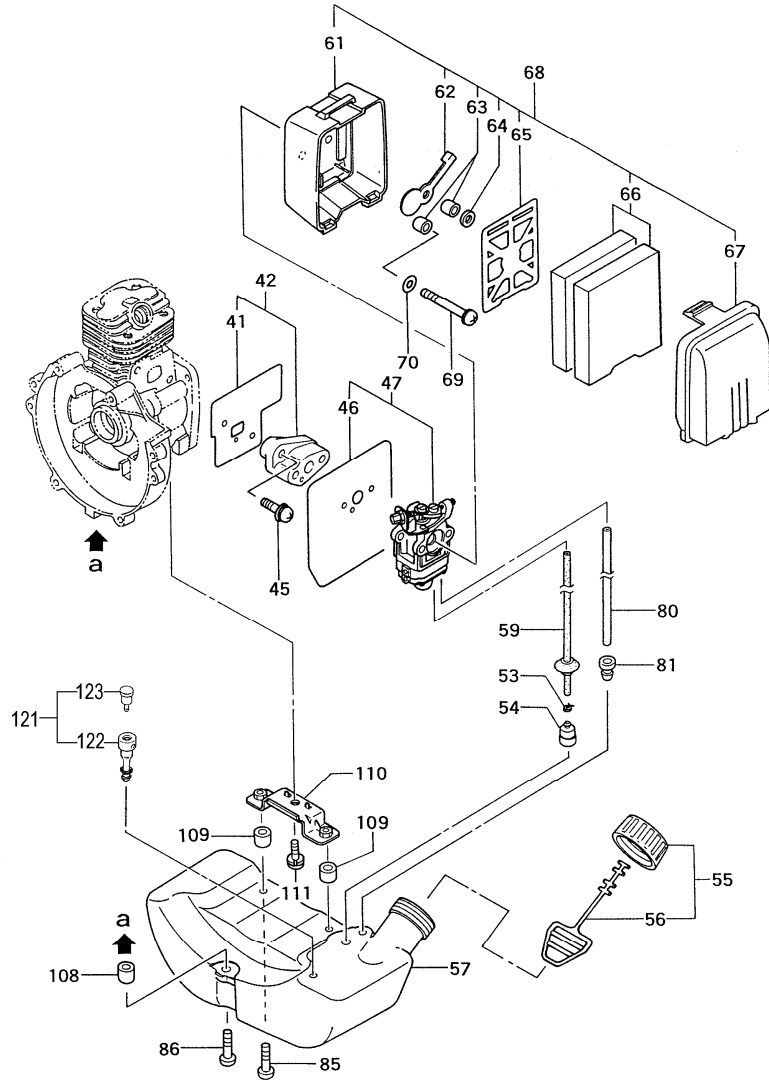
RB85E CRANK CASE



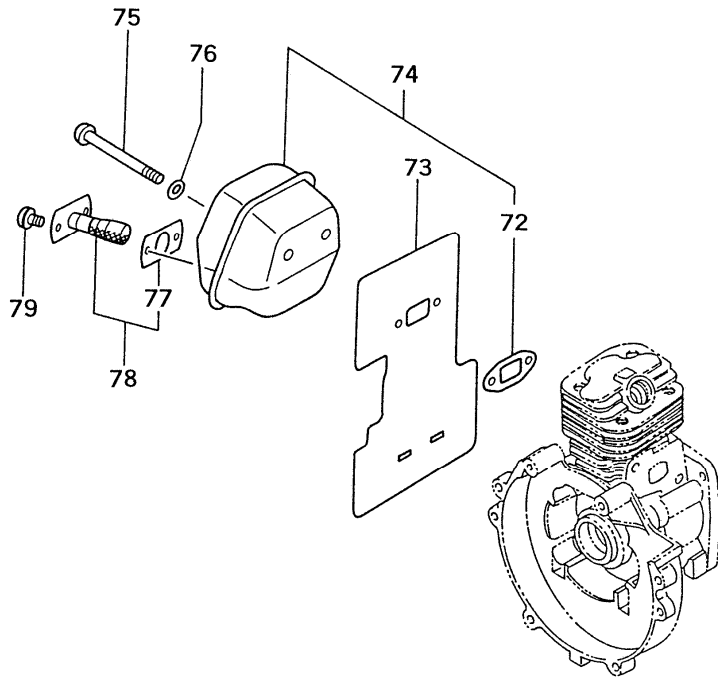
REF. NUMBER	PARTS NUMBER	DESCRIPTION	Q'TY	SERIAL NUMBER
019	330-00200-23	GEAR SHAFT SHIM 0.20	V	
019	330-00200-24	GEAR SHAFT SHIM 0.30	V	
025	025-31850-21	SPECIAL BOLT	1	
026	359-10112-20	CLUTCH WASHER B	1	
027	992-01070-011	WASHER 7	1	
031	072-06580-90	CRANK CASE ASS'Y	1	
032	999-66122-200	OIL SEAL TB 12227	2	
033	999-61600-115	BALL BEARING 6001 C3	2	
034	090-06097-20	CRANK CASE GASKET	1	
036	994-61050-254	HEX. HOLE BOLT 5X25/S	4	
043	167-20521-80	IGNITION COIL COMP.	1	
046	994-16050-201	SCREW 5X20/WS	2	
050	167-20521-90	IGNITION COIL ASS'Y	1	
051	155-20508-80	MAGNETO ROTOR COMP.	1	
055	560-20517-20	RUBBER CAP	1	
056	264-20516-20	HIGH TENSION CORD, 150L	1	

S11-03

RB85E ENGINE-1



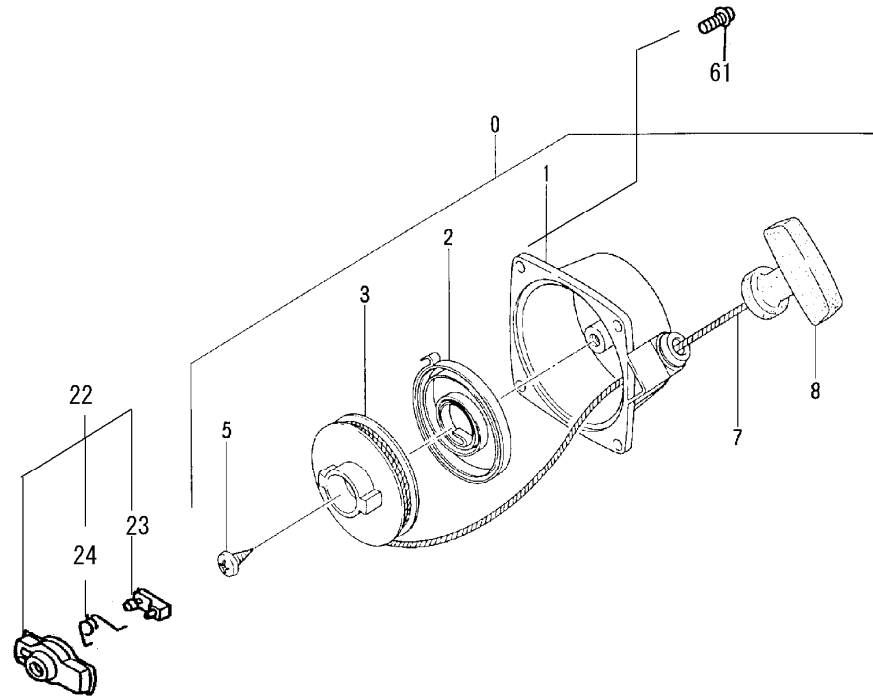
REF. NUMBER	PARTS NUMBER	DESCRIPTION	Q'TY	SERIAL NUMBER
041	403-06590-20	INLET MANIFOLD GASKET	1	
042	404-06580-90	INSULATOR SET	1	
045	994-16050-241	SCREW 5X24WS	2	
046	402-06590-20	CARBURETOR GASKET	1	
047	455-06580-90	CARBURETOR SET, SPARE	1	
053	680-00731-20	CLIP, 6.3 DIA.	1	
054	675-04042-80	PUMP FILTER BODY COMP	1	
055	595-00072-90	TANK CAP A'SSY	1	
056	626-32550-20	TANK CAP CHAIN	1	
057	591-06591-20	FUEL TANK, VERMILION	1	
059	223-0097A-90	FUEL PIPE ASS'Y	1	
061	423-06591-20	AIR CLEANER BODY	1	
062	493-06590-20	CHOKE VALVE	1	
063	470-0602K-20	COLLAR	2	
064	453-0602K-20	SPACER	1	
065	476-0634C-20	BLOW OVER CHECK BOAR	1	
066	446-0634C-20	CLEANER SPONGE	2	
067	424-06590-20	CLEANER CAP	1	
068	410-06590-91	AIR CLEANER ASS'Y	1	
069	994-14050-571	SCREW 5X57/S	2	
070	992-00050-011	SMALL WASHER 5	2	
080	700-03005-08	FUEL PIPE 3X5X80	1	
081	534-32710-20	RETURN GROMMET	1	
085	994-15040-182	SCREW 4X18/PS	2	
086	994-15050-162	SCREW 5X16/PS	1	
108	659-00801-20	COLLAR 5.8	1	
109	659-06410-20	COLLAR	2	
110	653-31850-80	FUEL TANK BRACKET	1	
111	994-14060-141	SCREW 6X14S	1	
121	564-06611-90	AIR VENT ASS'Y	1	
122	565-04410-20	AIR VENT PIPE	1	
123	646-06612-90	AIR VENT VALVE ASS'Y	1	

S11-04**RB85E MUFFLER**

REF. NUMBER	PARTS NUMBER	DESCRIPTION	Q'TY	SERIAL NUMBER
072	737-07000-20	MUFFLER GASKET	1	
073	133-06580-20	HEAT SHIELD	1	
074	704-06590-90	MUFFLER SET, SPARE	1	
075	990-51050-703	HEX. HOLE BOLT 5X70	2	
076	871-32600-20	SPECIAL WASHER B	2	
077	751-04200-20	MUFFLER SPECIAL GASKE	1	
078	721-06590-90	TAIL PIPE SET, SPARE	1	
079	994-34040-081	SCREW 4X8S	2	

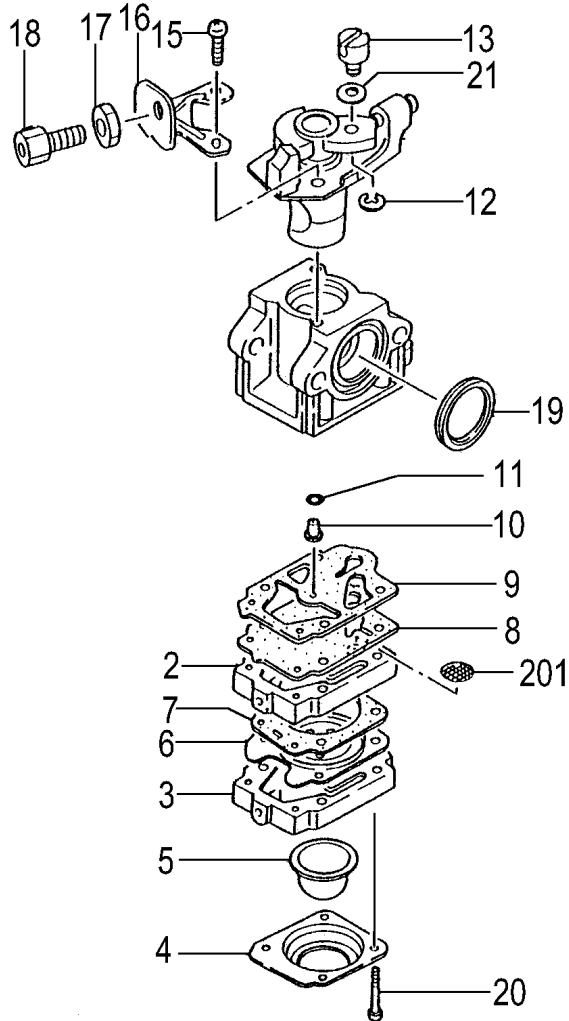
S11-05

RB85E RECOIL STARTER



REF. NUMBER	PARTS NUMBER	DESCRIPTION	Q'TY	SERIAL NUMBER
000	762-06410-90	RECOIL STARTER BODY AS	1	
001	772-06097-80	RECOIL STARTER BODY C	1	
002	780-06097-20	RECOIL SPRING	1	
003	774-06097-20	STARTER ROPE REEL	1	
005	839-02010-20	SET SCREW	1	
007	783-06097-20	STARTER ROPE	1	
008	785-06410-20	STARTER HANDLE	1	
022	798-06520-90	STARTER PULLEY ASSY	1	
023	788-06520-20	STARTER PAWL	1	
024	790-06097-20	STARTER PAWL SPRING	1	
061	994-64040-125	HEX. HOLE BOLT 4X12WS	4	

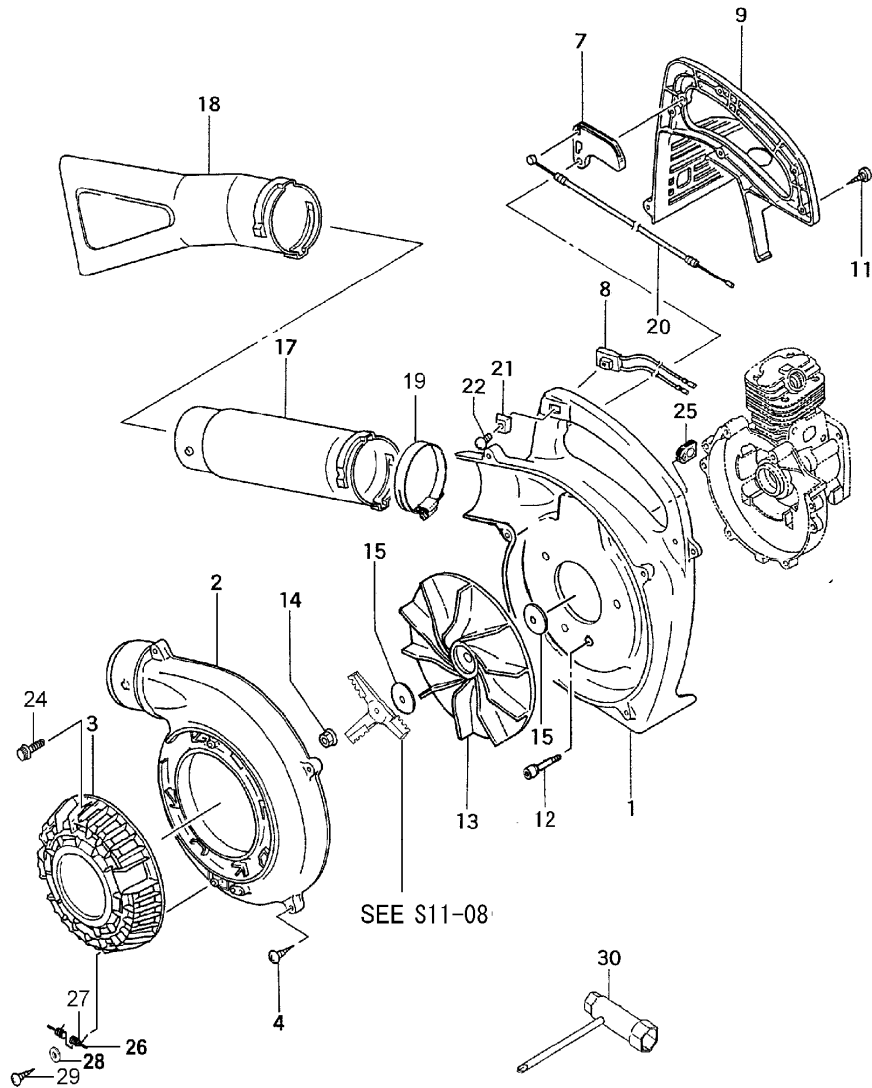
S11-06 RB85E CARBURETOR



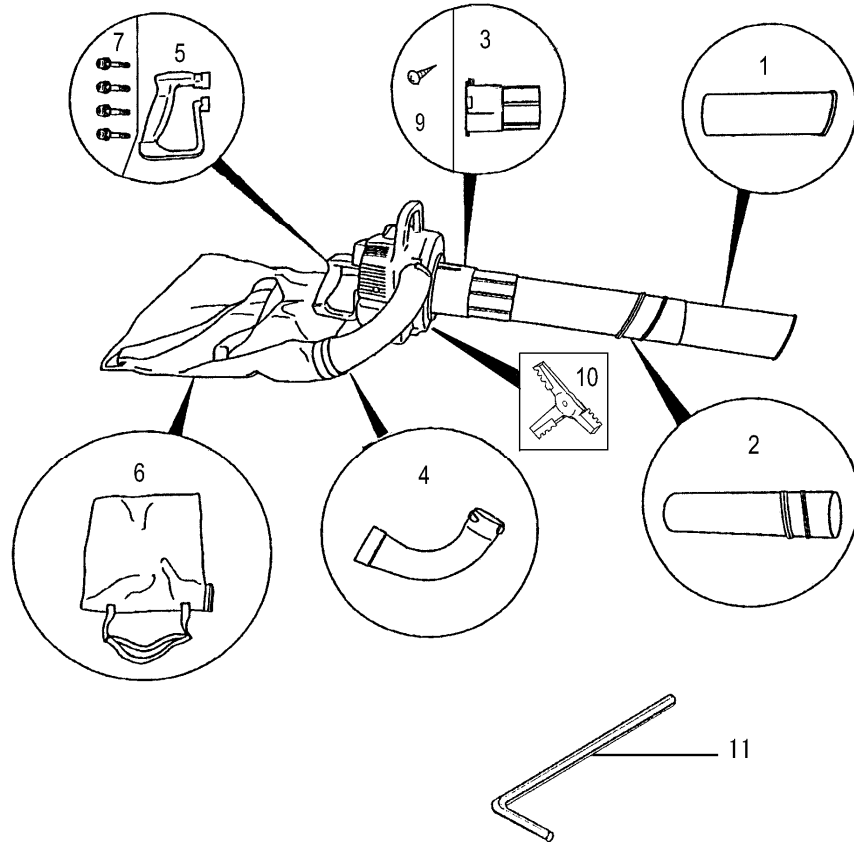
REF. NUMBER	PARTS NUMBER	DESCRIPTION	Q'TY	SERIAL NUMBER
002	575-25153-80	PUMP BODY COMP	1	
003	442-25151-80	PRIMING PUMP COMP.	1	
004	476-25151-20	DIAPHRAGM COVER	1	
005	447-25108-20	PRIMING BODY	1	
006	474-25001-80	METERING DIAPHRAGM CO	1	
007	475-25153-20	DIAPHRAGM GASKET	1	
008	576-25100-20	PUMP DIAPHRAGM	1	
009	577-25100-20	PUMP GASKET	1	
010	599-2000W-38	MAIN JET #38	1	
011	550-25100-20	O-RING	1	
012	489-25100-20	STOP RING	1	
013	539-25120-20	SWIVEL	1	
015	514-25100-20	THROTTLE SET SCREW	2	
016	544-25164-20	CABLE ADJUSTER STAY	1	
017	613-25100-20	CABLE ADJUST NUT	1	
018	614-25137-20	CABLE ADJUSTER	1	
019	431-0634C-20	CLEANER PACKING	1	
020	548-25151-20	SET SCREW	4	
021	549-25165-20	THRUST WASHER	1	
201	578-25007-20	INLET SCREEN	1	

S11-07

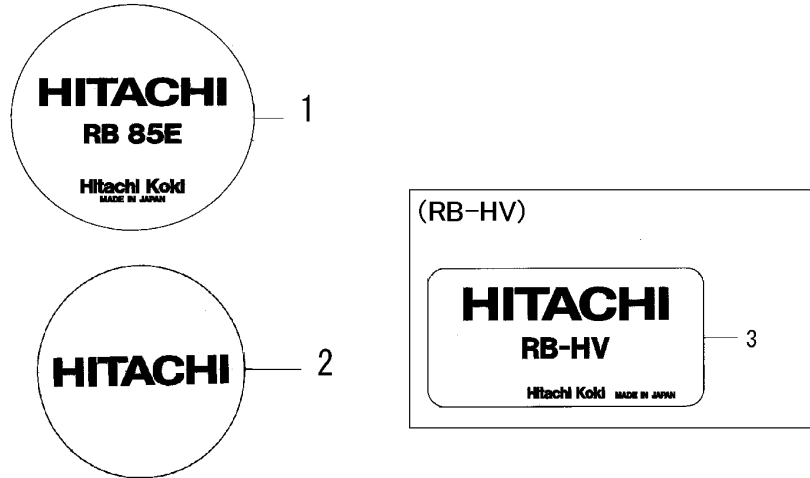
RB85E BLOWER



REF. NUMBER	PARTS NUMBER	DESCRIPTION	Q'TY	SERIAL NUMBER
001	010-31800-81	FAN CASE E. COMP.	1	
002	052-31852-80	VOLUTE CASE	1	
003	050-31850-20	DUST COVER	1	
004	993-11052-012	TAPPING SCREW 5X20	5	
007	013-31800-20	THROTTLE LEVER	1	
008	170-31800-80	STOP SWITCH ASS'Y	1	
009	738-31800-21	MUFFLER PROTECTOR	1	
016	992-10050-062	S.WASHER 5	4	
011	993-11052-012	TAPPING SCREW 5X20	6	
012	990-51050-353	HEX. HOLE BOLT 5X35	4	
013	127-31850-21	FAN	1	
014	991-01080-011	HEX. NUT 8	1	
015	027-31800-20	SPAECIAL WASHER	2	
017	269-31851-20	STRAIGHT PIPE	2	
018	273-31851-20	FAN HEADED PIPE	1	
019	466-05015-80	CLEANER BAND COMP.	1	
020	885-06590-80	THROTTLE WIRE COMP.	1	
021	258-11600-20	BUTTON STOP	1	
022	994-31030-101	SCREW 3X10	1	
024	380-31850-20	SPECIAL KNOB	1	
025	203-06590-20	GROMMET	1	
026	053-31850-20	COVER PIN	1	
027	790-31850-20	SPRING	1	
028	992-01050-001	*WASHER 5	1	
029	993-11051-501	TAPPING SCREW 5X15	1	
030	829-20000-80	COMBI BOX SPANNER 13X	1	

S11-08**RB-HV VACUUM KIT**

REF. NUMBER	PARTS NUMBER	DESCRIPTION	Q'TY	SERIAL NUMBER
001	310-31850-20	SUCTION PIPE	1	
002	269-31850-20	STRAIGHT PIPE	1	
003	279-31850-20	VACUUM PIPE	1	
004	270-31850-21	BENT PIPE	1	
005	424-31850-80	HANDLE COMP.	1	
006	315-31850-20	COLLECTOR BAG	1	
007	994-64040-305	HEX HOLE BOLT 4X30WS	4	
009	990-72050-144	TAPPING SCREW 5X14	1	
010	128-3185A-20	SHREDDER	1	
011	813-20000-20	HEX. WRENCH 4	1	



WARNING DANGER
 Keep hands off from rotating fan. For vacuum, vacuum pipe and bag must be in place. For blower, dust cover must be securely installed.

IMPORTANT!!
 Wash cleaner element in warm soapy water and squeeze, air dry. Then saturate the sponge in 2 cycle oil or the equivalent, squeeze the sponge to distribute the oil completely and to remove excess oil.

LWA **69** dB
 Category II
104 dB Measured at 50Hz(16m) Per ANSI B175.2-1986

REF. NUMBER	PARTS NUMBER	DESCRIPTION	Q'TY	SERIAL NUMBER
001	929-31859-21	SYMBOL MARK RB85E	1	
002	915-06584-20	STARTER MARK HITACHI	1	
003	929-31816-20	SYMBOL MARK RB-HV	1	
005	919-31850-22	CAUTION MARK A	1	