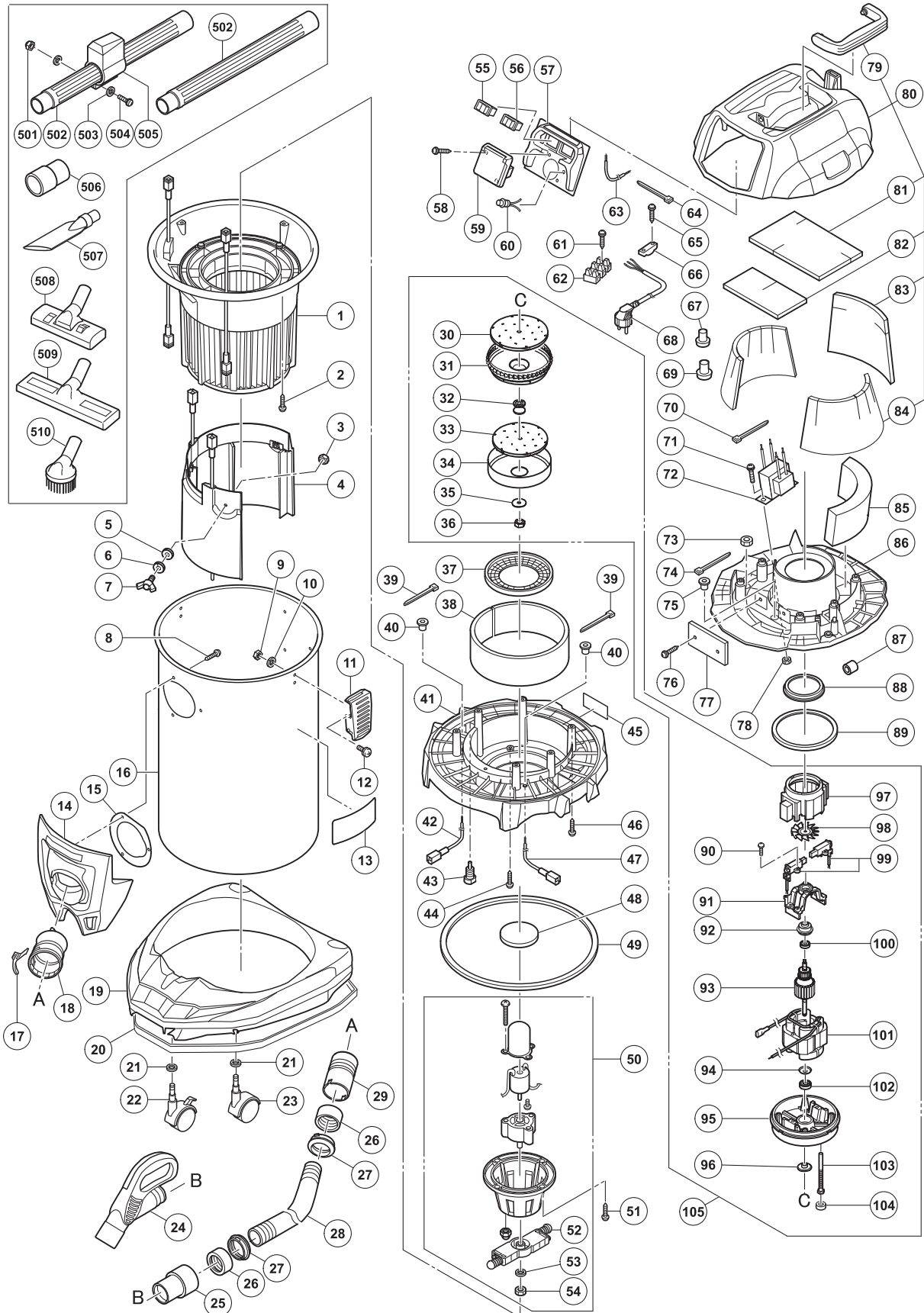


## ELECTRIC TOOL PARTS LIST

### DUST COLLECTOR Model RP 35YE

2008-2-15  
(E1)



**PARTS**

RP 35YE

| ITEM NO. | CODE NO. | DESCRIPTION                            | NO. USED | REMARKS           |
|----------|----------|--|----------|-------------------|
| 1        | 329-359  | POWDER FILTER                          | 1        |                   |
| 2        | 994-810  | SCREW (PLASTIC TIE) D4X16              | 3        |                   |
| 3        | 949-555  | NUT M5 (10 PCS.)                       | 3        |                   |
| 4        | 329-360  | WATER GUARD                            | 1        | INCLUD. 3, 5-7    |
| 5        | 949-424  | WASHER M5 (10 PCS.)                    | 3        |                   |
| 6        | 949-454  | SPRING WASHER M5 (10 PCS.)             | 3        |                   |
| 7        | 949-393  | WING BOLT M5X15 (10 PCS.)              | 3        |                   |
| 8        | 307-811  | TAPPING SCREW (W/FLANGE) D4X16 (BLACK) | 3        |                   |
| 9        | 311-839  | HEX. CAP NUT M4                        | 4        |                   |
| 10       | 949-453  | SPRING WASHER M4 (10 PCS.)             | 4        |                   |
| 11       | 325-867  | CLAMP                                  | 2        |                   |
| 12       | 323-211  | MACHINE SCREW M4X8 (BLACK)             | 4        |                   |
| 13       |          | DUST CLASS LABEL                       | 1        |                   |
| 14       | 329-361  | JOINT COVER (A)                        | 1        |                   |
| 15       | 325-862  | JOINT COVER PACKING                    | 1        |                   |
| 16       | 325-905  | TANK (SUS)                             | 1        |                   |
| 17       | 321-014  | HOSE STOPPER                           | 1        |                   |
| 18       | 325-864  | HOSE JOINT                             | 1        |                   |
| 19       | 325-904  | BASE (SUS)                             | 1        |                   |
| 20       | 325-906  | BUMPER (A)                             | 1        |                   |
| 21       | 949-433  | BOLT WASHER M8 (10 PCS.)               | 10       |                   |
| 22       | 325-859  | CASTER D50 (W/STOPPER)                 | 1        |                   |
| 23       | 325-858  | CASTER D50                             | 4        |                   |
| 24       | 325-901  | JOINT HANDLE                           | 1        |                   |
| 25       | 320-986  | SLEEVE (B) ID38                        | 1        |                   |
| 26       | 321-065  | SCREW RING                             | 2        |                   |
| 27       | 321-066  | CLICK RING                             | 2        |                   |
| 28       | 328-684  | HOSE ASS'Y ID38                        | 1        | INCLUD. 25-27, 29 |
| 29       | 320-985  | SLEEVE (A) ID38                        | 1        |                   |
| 30       | 326-218  | FAN (A)                                | 1        |                   |
| 31       | 326-225  | CASING (A)                             | 1        |                   |
| 32       | 326-226  | SPACER                                 | 1        |                   |
| 33       | 326-217  | FAN (B)                                | 1        |                   |
| 34       | 326-227  | CASING (B)                             | 1        |                   |
| 35       | 326-228  | SPECIAL WASHER                         | 1        |                   |
| 36       | 949-568  | LOCK NUT M8 (10 PCS.)                  | 1        |                   |
| 37       | 325-880  | SUPPORT RING (B)                       | 1        |                   |
| 38       | 325-875  | MOTOR BASE FILTER                      | 1        |                   |
| 39       | 975-144  | CABLE TIE                              | 2        |                   |
| 40       | 325-950  | RUBBER BUSH                            | 2        |                   |
| 41       | 329-363  | MOTOR BASE                             | 1        |                   |
| 42       | 329-362  | INTERNAL WIRE (J)                      | 1        |                   |
| 43       | 325-952  | JOINT                                  | 1        |                   |
| 44       | 307-811  | TAPPING SCREW (W/FLANGE) D4X16 (BLACK) | 3        |                   |
| 45       |          | NAME PLATE                             | 1        |                   |
| 46       | 301-653  | TAPPING SCREW (W/FLANGE) D4X20 (BLACK) | 6        |                   |
| 47       | 329-365  | INTERNAL WIRE (J)                      | 1        |                   |
| 48       | 325-874  | MOTOR FILTER                           | 1        |                   |
| 49       | 325-873  | MOTOR BASE PACKING                     | 1        |                   |
| 50       | 328-690  | DUST MOTOR BASE ASS'Y                  | 1        | INCLUD. 52-54     |

**PARTS**

RP 35YE

| ITEM NO. | CODE NO. | DESCRIPTION                            | NO USED | REMARKS           |
|----------|----------|--|---------|-------------------|
| 51       | 994-806  | SCREW (PLASTIC TIE) D4X20              | 4       |                   |
| 52       | 325-947  | DUST HANDLE                            | 1       |                   |
| 53       | 949-455  | SPRING WASHER M6 (10 PCS.)             | 1       |                   |
| 54       | 949-556  | NUT M6 (10 PCS.)                       | 1       |                   |
| 55       | 325-931  | SWITCH (B)                             | 1       |                   |
| 56       | 325-931  | SWITCH (B)                             | 1       |                   |
| 57       | 329-756  | SWITCH HOLDER (EU)                     | 1       |                   |
| 58       | 313-687  | TAPPING SCREW (W/FLANGE) D3X16 (BLACK) | 2       |                   |
| 59       | 328-685  | RECEPTACLE                             | 1       |                   |
| 60       | 326-107  | PUSHING SWITCH                         | 1       |                   |
| 61       | 301-653  | TAPPING SCREW (W/FLANGE) D4X20 (BLACK) | 1       |                   |
| 62       | 321-041  | TERMINAL PLATE                         | 1       |                   |
| 63       | 328-686  | INTERNAL WIRE (E)                      | 1       |                   |
| 64       | 975-144  | CABLE TIE                              | 2       |                   |
| 65       | 305-095  | TAPPING SCREW (W/FLANGE) D4X20         | 2       |                   |
| 66       | 995-063  | CORD CLIP                              | 1       |                   |
| 67       | 959-140  | CONNECTOR 50091 (10 PCS.)              | 10      |                   |
| 68       | 500-479Z | CORD                                   | 1       |                   |
| 69       | 959-141  | CONNECTOR 50092 (10 PCS.)              | 1       |                   |
| 70       | 975-144  | CABLE TIE                              | 2       |                   |
| 71       | 301-295  | MACHINE SCREW (W/WASHERS) M4X20        | 2       |                   |
| 72       | 328-687  | TRANSFORMER 230V                       | 1       |                   |
| 73       | 949-568  | LOCK NUT M8 (10 PCS.)                  | 1       |                   |
| 74       | 975-144  | CABLE TIE                              | 1       |                   |
| 75       | 328-109  | RUBBER BUSH                            | 1       |                   |
| 76       | 325-929  | TAPPING SCREW (W/FLANGE) D4X10 (BLACK) | 2       |                   |
| 77       | 329-366  | PRINTED BOARD (A) (EU)                 | 1       |                   |
| 78       | 949-554  | NUT M4 (10 PCS.)                       | 2       |                   |
| 79       | 325-893  | HANDLE                                 | 1       |                   |
| 80       | 328-688  | HEAD COVER ASS'Y                       | 1       | INCLUD. 79, 81-84 |
| 81       | 325-891  | HEAD COVER PACKING (C)                 | 1       |                   |
| 82       | 325-892  | HEAD COVER PACKING (D)                 | 1       |                   |
| 83       | 325-890  | HEAD COVER PACKING (B)                 | 1       |                   |
| 84       | 325-889  | HEAD COVER PACKING (A)                 | 2       |                   |
| 85       | 325-882  | MOTOR COVER PACKING (B)                | 1       |                   |
| 86       | 329-367  | MOTOR COVER                            | 1       |                   |
| 87       | 329-755  | FERRITE CORE                           | 1       |                   |
| 88       | 325-876  | SUPPORT RING (A)                       | 1       |                   |
| 89       | 325-879  | MOTOR PACKING                          | 1       |                   |
| 90       | 949-218  | MACHINE SCREW M4X14 (10 PCS.)          | 4       |                   |
| 91       | 326-221  | MOTOR FRAME                            | 1       |                   |
| 92       | 326-229  | BEARING HOLDER (A)                     | 1       |                   |
| 93       | 360-817  | ARMATURE 230V                          | 1       |                   |
| 94       | 326-222  | PRESS PLATE                            | 1       |                   |
| 95       | 326-223  | MOTOR BASE                             | 1       |                   |
| 96       | 326-224  | FLANGE WASHER                          | 1       |                   |
| 97       | 326-215  | FAN COVER                              | 1       |                   |
| 98       | 326-216  | COOLING FAN                            | 1       |                   |
| 99       | 999-102  | CARBON BRUSH (1 PAIR)                  | 1       |                   |
| 100      | 326-231  | BALL BEARING 607Z                      | 1       |                   |

**PARTS**

RP 35YE

| ITEM NO. | CODE NO. | DESCRIPTION        | NO. USED | REMARKS               |
|----------|----------|--------------------|----------|-----------------------|
| 101      | 340-710  | STATOR 230V        | 1        |                       |
| 102      | 326-230  | BALL BEARING 608RS | 1        |                       |
| 103      | 326-219  | BOLT M5X70         | 2        |                       |
| 104      | 326-220  | RUBBER SPACER      | 2        |                       |
| 105      | 328-689  | MOTOR ASS'Y        | 1        | INCLUD. 30-36, 90-104 |
|          |          |                    |          |                       |
|          |          |                    |          |                       |
|          |          |                    |          |                       |
|          |          |                    |          |                       |
|          |          |                    |          |                       |

**STANDARD ACCESSORIES**

| ITEM NO. | CODE NO. | DESCRIPTION                 | NO. USED | REMARKS |
|----------|----------|-----------------------------|----------|---------|
| 501      | 321-068  | HEX. CAP NUT M5 (BLACK)     | 2        |         |
| 502      | 320-990  | EXTENSION PIPE              | 2        |         |
| 503      | 949-431  | BOLT WASHER M5 (10 PCS.)    | 8        |         |
| 504      | 302-316  | MACHINE SCREW M5X25 (BLACK) | 2        |         |
| 505      | 321-067  | PIPE HOLDER                 | 1        |         |
| 506      | 320-994  | ADAPTER                     | 1        |         |
| 507      | 320-993  | NOZZLE                      | 1        |         |
| 508      | 320-992  | NOZZLE FOR FLUID            | 1        |         |
| 509      | 326-127  | WET NOZZLE                  | 1        |         |
| 510      | 321-984  | BRUSH                       | 1        |         |
|          |          |                             |          |         |
|          |          |                             |          |         |
|          |          |                             |          |         |
|          |          |                             |          |         |
|          |          |                             |          |         |
|          |          |                             |          |         |
|          |          |                             |          |         |
|          |          |                             |          |         |
|          |          |                             |          |         |

**OPTIONAL ACCESSORIES**

| ITEM NO. | CODE NO. | DESCRIPTION                | NO. USED | REMARKS |
|----------|----------|----------------------------|----------|---------|
| 601      | 329-638  | PAPER DUSTBAG SET (5 PCS.) | 1        |         |
|          |          |                            |          |         |
|          |          |                            |          |         |
|          |          |                            |          |         |
|          |          |                            |          |         |
|          |          |                            |          |         |
|          |          |                            |          |         |
|          |          |                            |          |         |
|          |          |                            |          |         |
|          |          |                            |          |         |