

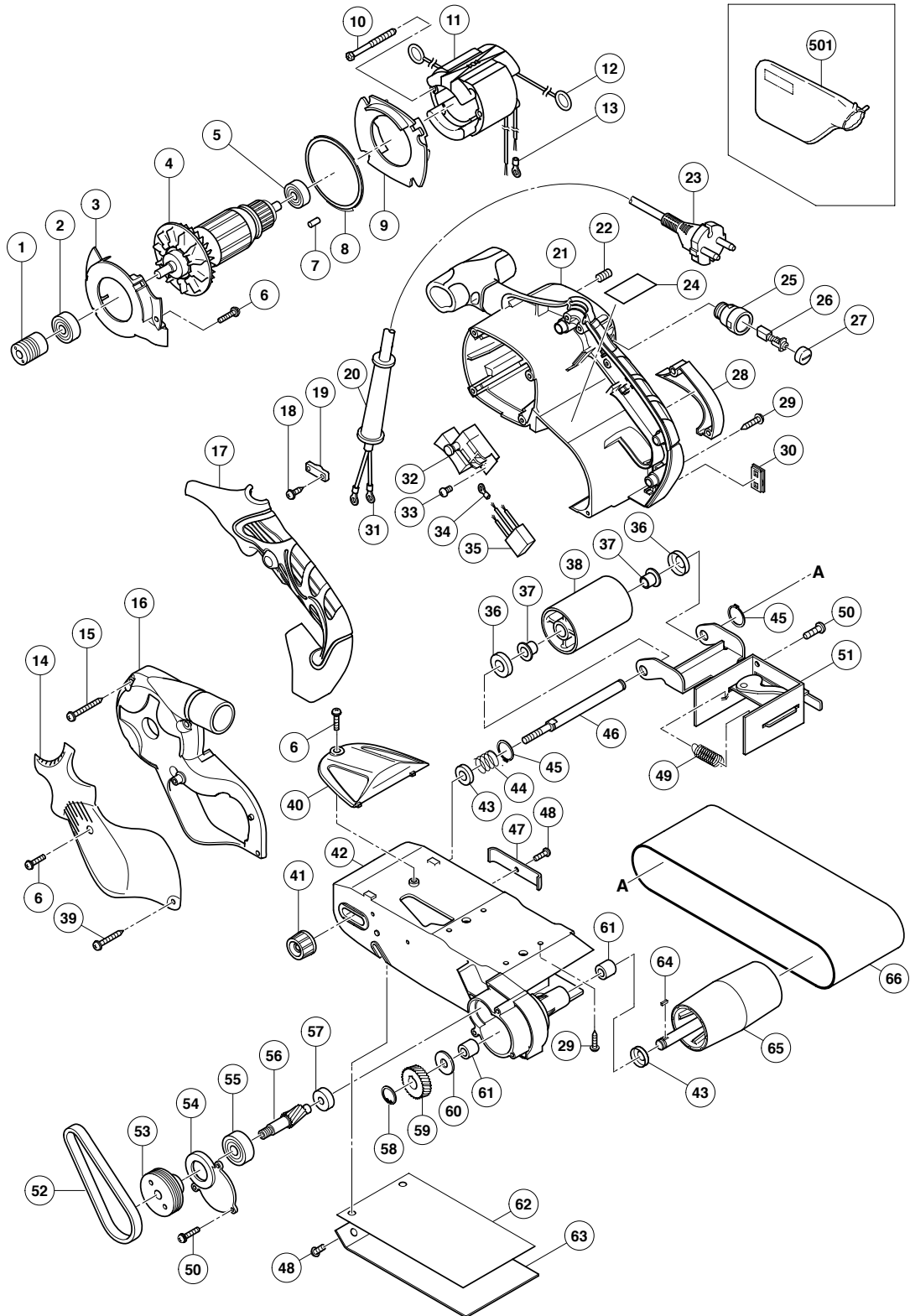
ELECTRIC TOOL PARTS LIST

■ BELT SANDER

2007 · 3 · 26

Model SB 10S2

(E1)



PARTS

SB 10S2

ITEM NO.	CODE NO.	DESCRIPTION	NO. USED	REMARKS
1	327-742	PULLEY (A)	1	
2	600-0VV	BALL BEARING 6000VVCMP2L	1	
3	327-739	DUST GUIDE	1	
* 4	360-797C	ARMATURE 110V	1	
* 4	360-797U	ARMATURE ASS'Y 120V	1	INCLUD. 2, 5
* 4	360-797E	ARMATURE 220V-230V	1	
* 4	360-797F	ARMATURE 240V	1	
5	608-VVM	BALL BEARING 608VVC2PS2L	1	
6	935-196	MACHINE SCREW (W/WASHERS) M4X12 (BLACK)	4	
7	931-701	BEARING LOCK	1	
8	328-209	DUST PLATE	1	
9	327-738	FAN GUIDE	1	
10	953-174	HEX. HD. TAPPING SCREW D5X55	2	
* 11	340-700J	STATOR ASS'Y 110V	1	INCLUD. 12, 13
* 11	340-700D	STATOR ASS'Y 120V	1	INCLUD. 12, 13
* 11	340-700G	STATOR ASS'Y 220V-230V	1	INCLUD. 12, 13
* 11	340-700H	STATOR ASS'Y 240V	1	INCLUD. 12, 13
12	930-703	BRUSH TERMINAL	2	
* 13	930-804	TERMINAL M4.0 (10 PCS.)	2	
* 13	980-063	TERMINAL	1	FOR USA, CAN
14	328-433	BELT COVER	1	
15	316-321	TAPPING SCREW (W/FLANGE) D5X45	4	
16	327-740	DUST COVER	1	
17	327-760	HANDLE COVER	1	
18	984-750	TAPPING SCREW (W/FLANGE) D4X16	2	
19	937-631	CORD CLIP	1	
* 20	958-049	CORD ARMOR D8.2	1	
* 20	940-778	CORD ARMOR D10.7	1	
21	327-759	HOUSING ASS'Y	1	INCLUD. 22, 25
22	938-477	HEX. SOCKET SET SCREW M5X8	2	
* 23	500-247Z	CORD	1	(CORD ARMOR D8.2)
* 23	500-234Z	CORD	1	(CORD ARMOR D8.2) FOR GBR, FIN, DEN, SWE, NOR
* 23	500-432Z	CORD	1	(CORD ARMOR D8.2) FOR USA, CAN
* 23	500-439Z	CORD	1	(CORD ARMOR D8.2) FOR AUS, NZL
* 23	500-455Z	CORD	1	(CORD ARMOR D8.2) FOR CHN
* 23	323-974	CORD	1	(CORD ARMOR D10.7) FOR TPE
24		NAME PLATE	1	
25	958-900	BRUSH HOLDER	2	
26	999-043	CARBON BRUSH (1 PAIR)	2	
27	945-161	BRUSH CAP	2	
28	327-779	PULLEY COVER	1	
29	305-812	TAPPING SCREW (W/FLANGE) D4X16 (BLACK)	9	
30	327-791	DIAL COVER	1	
* 31	980-063	TERMINAL	2	FOR CORD
32	325-085	SWITCH (E) (1P SCREW TYPE) W/LOCK	1	
33	305-499	MACHINE SCREW (W/WASHER) M3.5X6	4	
* 34	938-108	TERMINAL	1	EXCEPT FOR USA, CAN
* 35	325-566	NOISE SUPPRESSOR	1	EXCEPT FOR USA, CAN
36	953-043	WASHER	2	
37	953-042	METAL	2	
38	995-586	IDLE PULLEY ASS'Y	1	INCLUD. 37

