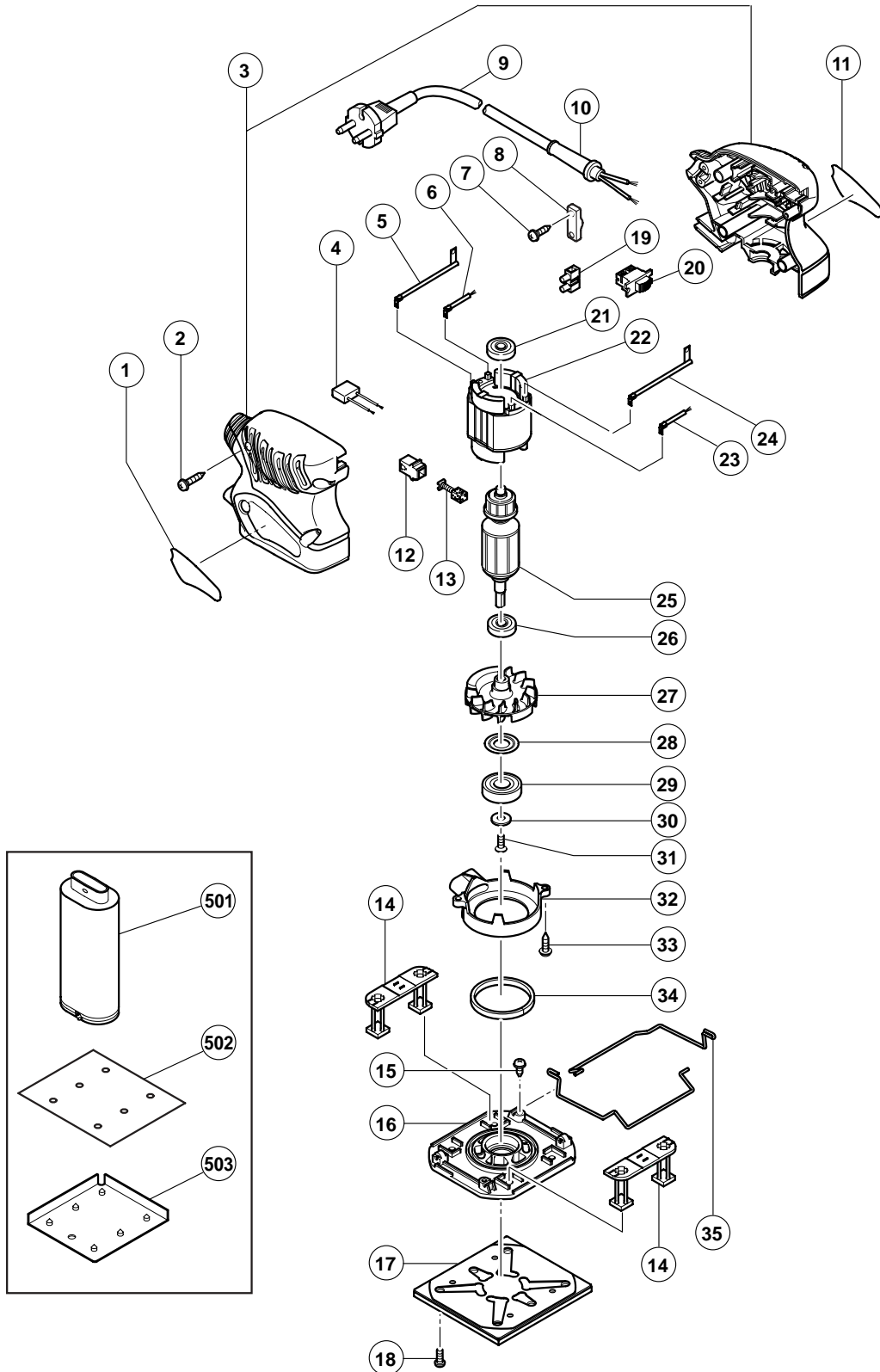


## ELECTRIC TOOL PARTS LIST

■ ORBITAL SANDER  
Model SV 12SG

2004 • 3 • 30  
(E1)



**PARTS**

SV 12SG

ITEM NO.	CODE NO.	DESCRIPTION	NO. USED	REMARKS
1		NAME PLATE	1	
2	301-653	TAPPING SCREW (W/FLANGE) D4X20 (BLACK)	4	
3	322-766	HOUSING (A).(B) SET	1	
* 4	930-039	NOISE SUPPRESSOR	1	FOR NZL, AUS, GBR, EUROPE, NOR, SUI, CHN
5	322-764	INTERNAL WIRE (BROWN)	1	
6	322-761	TAB TERMINAL (BLUE)	1	
7	984-750	TAPPING SCREW (W/FLANGE) D4X16	2	
8	937-631	CORD CLIP	1	
* 9	500-409Z	CORD	1	(CORD ARMOR D8.8)
* 9	500-439Z	CORD	1	(CORD ARMOR D8.8) FOR NZL, AUS
* 9	500-423Z	CORD	1	(CORD ARMOR D8.8) FOR SIN
* 9	500-240Z	CORD	1	(CORD ARMOR D8.8) FOR USA, CAN
* 9	500-435Z	CORD	1	(CORD ARMOR D8.8) FOR HKG, GBR (230V)
* 9	500-461Z	CORD	1	(CORD ARMOR D8.8) FOR GBR (110V)
* 9	500-447Z	CORD	1	(CORD ARMOR D8.8) FOR SUI
* 9	500-468Z	CORD	1	(CORD ARMOR D8.8) FOR CHN
10	953-327	CORD ARMOR D8.8	1	
11		HITACHI LABEL	1	
12	930-483	BRUSH HOLDER	2	
13	999-041	CARBON BRUSH (1 PAIR)	2	
14	322-756	LEG	2	
15	311-945	TAPPING SCREW (W/FLANGE) D4X10 (BLACK)	2	
16	322-759	BASE	1	
* 17	310-354	FELT PAD (PERFORATED)	1	
* 17	310-355	PAD (PRESSURE SENSITIVE TYPE, PERFORATED)	1	FOR FRA, BEL, SUI
* 17	311-978	PAD (QUICK STICK TYPE, PERFORATED)	1	FOR USA, CAN
18	949-216	MACHINE SCREW M4X10 (10 PCS.)	4	
19	938-307	PILLAR TERMINAL	1	
20	311-948	SLIDE SWITCH (1P SCREW TYPE)	1	
21	626-VVM	BALL BEARING 626VVC2PS2L	1	
* 22	340-578C	STATOR 110V	1	
* 22	340-578D	STATOR 120V	1	
* 22	340-578E	STATOR 220V-230V	1	
* 22	340-578F	STATOR 240V	1	
23	322-762	TAB TERMINAL (BROWN)	1	
24	322-763	INTERNAL WIRE (BLUE)	1	
* 25	360-637C	ARMATURE 110V	1	
* 25	360-637U	ARMATURE ASS'Y 120V	1	INCLUD. 21, 26
* 25	360-637E	ARMATURE 220V-230V	1	
* 25	360-637F	ARMATURE 240V	1	
26	629-VVM	BALL BEARING 629VVC2PS2L	1	
27	322-757	BALANCE FAN	1	
28	993-052	DUST WASHER	1	
29	600-1DD	BALL BEARING 6001DDCMPS2L	1	
30	987-169	WASHER	1	
31	993-244	SEAL LOCK FLAT HD. SCREW M4X12	1	
32	322-758	FAN GUIDE	1	
33	984-750	TAPPING SCREW (W/FLANGE) D4X16	2	
34	311-946	FELT	1	
35	322-760	PAPER CLIP	2	



