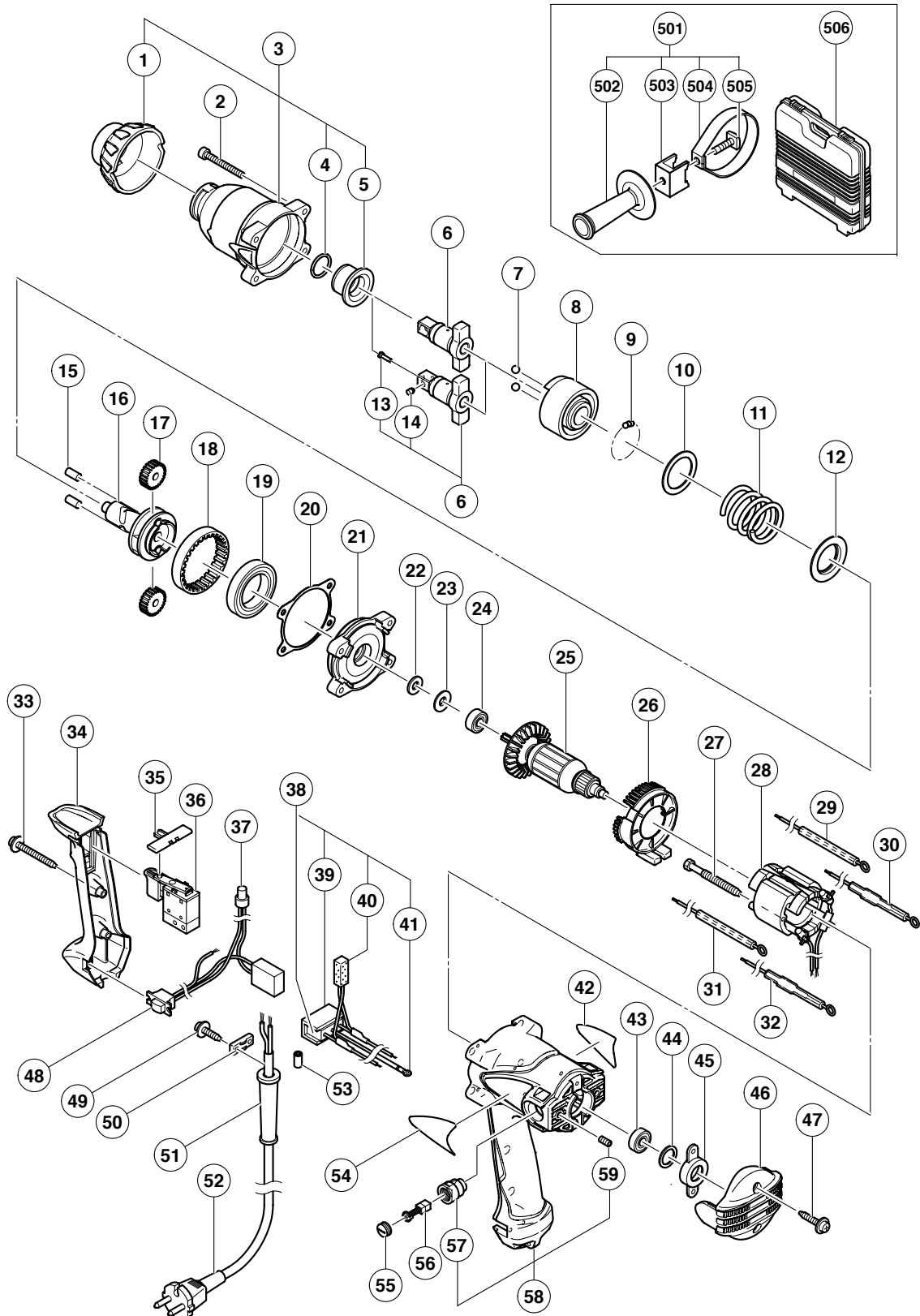


ELECTRIC TOOL PARTS LIST

IMPACT WRENCH Model WR 14VB

2004 · 12 · 30

(E1)



PARTS

WR 14VB

ITEM NO.	CODE NO.	DESCRIPTION	NO. USED	REMARKS
1	323-804	BUMPER (B)	1	
2	324-060	SEAL LOCK HEX. SOCKET HD. BOLT M5X40	4	
3	323-803	HAMMER CASE ASS'Y	1	INCLUD. 1, 4, 5
4	318-704	O-RING (M)	1	
5	323-766	METAL	1	
* 6	323-773	ANVIL (G)	1	TYPE FOR W/O PLUNGER (A), PIN RETAINER (A)
* 6	985-207	ANVIL (B) ASS'Y	1	INCLUD. 13, 14 TYPE FOR W/PLUNGER (A), PIN RETAINER (A)
7	959-150	STEEL BALL D6.35 (10 PCS.)	2	
8	323-789	HAMMER	1	
9	959-155	STEEL BALL D3.97 (10 PCS.)	29	
10	317-525	WASHER (B)	1	
11	323-787	SPRING	1	
12	317-521	WASHER (A)	1	
* 13	323-542	PIN RETAINER (A)	1	FOR FRA, FRG, ITA, ESP
* 14	323-541	PLUNGER (A)	1	FOR FRA, FRG, ITA, ESP
15	985-169	NEEDLE ROLLER	2	
16	323-788	SPINDLE	1	
17	323-785	IDLE GEAR SET (2 PCS.)	2	
18	323-786	RING GEAR	1	
19	690-7ZN	BALL BEARING 6907ZZ-N	1	
20	324-076	GASKET (A)	1	
21	323-784	INNER COVER	1	
22	323-781	FELT PACKING	1	
23	317-523	PACKING WASHER	1	
24	608-DDM	BALL BEARING 608DDC2PS2L	1	
* 25	360-689C	ARMATURE 110V	1	
* 25	360-689E	ARMATURE 220V-230V	1	
* 25	360-689F	ARMATURE 240V	1	
26	323-783	FAN GUIDE	1	
27	981-824	HEX. HD. TAPPING SCREW D4X45	2	
* 28	340-607C	STATOR 110V	1	
* 28	340-607E	STATOR 220V-230V	1	
* 28	340-607F	STATOR 240V	1	
* 29	323-799	INTERNAL WIRE (WHITE)	1	FOR VEN, INA, SYR, SIN, HKG, KUW
* 30	323-791	CHOKE COIL (WHITE)	1	FOR NZL, HOL, BEL, FRA, FRG, ITA, ESP, AUT
* 31	323-800	INTERNAL WIRE (BLACK)	1	FOR VEN, INA, SYR, SIN, HKG, KUW
* 32	323-792	CHOKE COIL (BLACK)	1	FOR NZL, HOL, BEL, FRA, FRG, ITA, ESP, AUT
33	303-694	TAPPING SCREW (W/FLANGE) D4X35 (BLACK)	2	
34	323-802	HANDLE COVER	1	
35	321-661	PUSHING BUTTON (A)	1	
* 36	319-412	SWITCH	1	
* 36	317-532	SWITCH (2P SCREW TYPE) W/O LOCK	1	FOR VEN
37	959-141	CONNECTOR 50092 (10 PCS.)	1	
* 38	323-790	NOISE SUPPRESSOR ASS'Y (W/RESISTOR)	1	INCLUD. 39-41 FOR NZL, HOL, BEL, FRA, FRG, ITA, ESP, AUT
* 39	930-153	SUPPORT (B)	1	FOR NOISE SUPPRESSOR ASS'Y (W/RESISTOR)
* 40	316-186	SUPPORT (B)	1	FOR NOISE SUPPRESSOR ASS'Y (W/RESISTOR)
* 41	959-144	TERMINAL 50051 (10 PCS.)	1	FOR NOISE SUPPRESSOR ASS'Y (W/RESISTOR)
42		NAME PLATE	1	
43	608-VVM	BALL BEARING 608VVC2PS2L	1	

