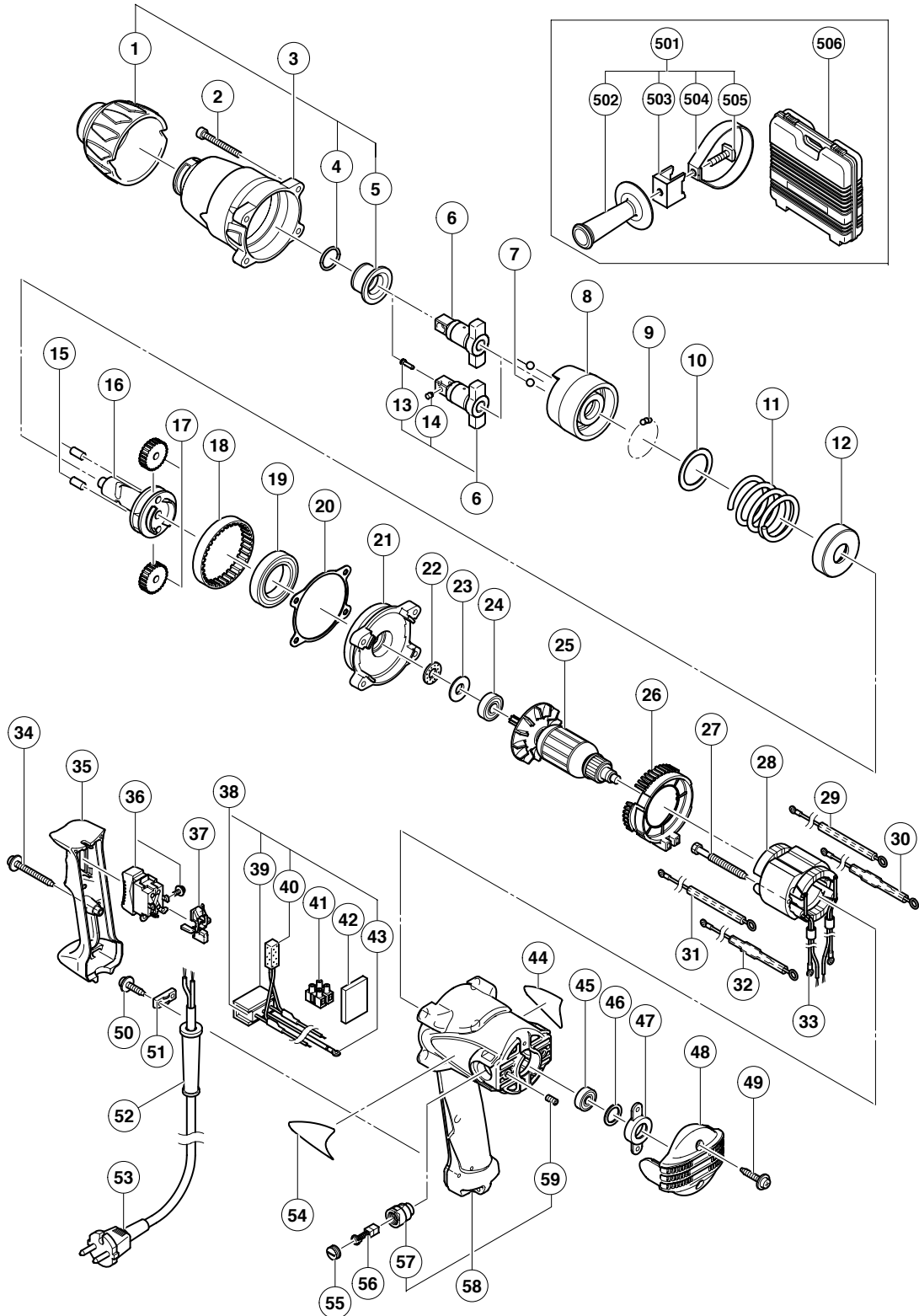


## ELECTRIC TOOL PARTS LIST

### IMPACT WRENCH Model WR 16SA

2004 · 12 · 30  
(E1)



**PARTS**

WR 16SA

ITEM NO.	CODE NO.	DESCRIPTION	NO. USED	REMARKS
1	323-767	BUMPER	1	
2	323-753	SEAL LOCK HEX. SOCKET HD. BOLT M5X35	4	
3	323-765	HAMMER CASE ASS'Y	1	INCLUD. 1, 4, 5
4	318-704	O-RING (M)	1	
5	323-766	METAL	1	
* 6	323-773	ANVIL (G)	1	TYPE FOR W/O PLUNGER (A), PIN RETAINER (A)
* 6	985-207	ANVIL (B) ASS'Y	1	INCLUD. 13, 14 TYPE FOR W/PLUNGER (A), PIN RETAINER (A)
7	959-150	STEEL BALL D6.35 (10 PCS.)	2	
8	323-764	HAMMER	1	
9	959-155	STEEL BALL D3.97 (10 PCS.)	30	
10	323-763	HAMMER WASHER	1	
11	323-761	SPRING	1	
12	323-760	SPRING SEAT	1	
* 13	323-542	PIN RETAINER (A)	1	FOR FRA, FRG, ITA, ESP, FIN, SUI, USA, CAN
* 14	323-541	PLUNGER (A)	1	FOR FRA, FRG, ITA, ESP, FIN, SUI, USA, CAN
15	985-169	NEEDLE ROLLER	2	
16	323-762	SPINDLE	1	
17	318-446	IDLE GEAR SET (2 PCS.)	2	
18	955-124	RING GEAR	1	
19	690-7ZZN	BALL BEARING 6907ZZ-N	1	
20	324-022	GASKET (A)	1	
21	323-758	INNER COVER	1	
22	323-755	FELT PACKING	1	
23	985-166	PACKING WASHER	1	
24	600-0DD	BALL BEARING 6000DDCMPS2L	1	
* 25	360-687C	ARMATURE 110V	1	
* 25	360-687U	ARMATURE ASS'Y 120V	1	INCLUD. 24, 45
* 25	360-687E	ARMATURE 220V-230V	1	
* 25	360-687F	ARMATURE 240V	1	
26	323-757	FAN GUIDE	1	
27	981-824	HEX. HD. TAPPING SCREW D4X45	2	
* 28	340-605C	STATOR 110V	1	
* 28	340-605D	STATOR 120V	1	
* 28	340-605E	STATOR 220V-230V	1	
* 28	340-605F	STATOR 240V	1	
* 29	985-186	INTERNAL WIRE (WHITE)	1	FOR KUW, INA, HKG, SIN, THA
* 29	985-192	INTERNAL WIRE (WHITE)	1	FOR USA, CAN
* 30	323-769	CHOKE COIL (WHITE)	1	FOR SAF, NZL, AUS, AUT, GBR, FRA, FRG, ITA, HOL, BEL, ESP, FIN, SUI, CHN
* 31	985-187	INTERNAL WIRE (BLACK)	1	FOR KUW, INA, HKG, SIN, THA
* 31	985-193	INTERNAL WIRE (BLACK)	1	FOR USA, CAN
* 32	323-770	CHOKE COIL (BLACK)	1	FOR SAF, NZL, AUS, AUT, GBR, FRA, FRG, ITA, HOL, BEL, ESP, FIN, SUI, CHN
33	980-063	TERMINAL	2	
34	303-694	TAPPING SCREW (W/FLANGE) D4X35 (BLACK)	1	
35	323-772	HANDLE COVER	1	
* 36	985-103	SWITCH (2P SCREW TYPE)	1	
* 36	320-528	SWITCH (2P SCREW TYPE)	1	FOR AUT, GBR, FRA, FRG, ITA, HOL, BEL, ESP, FIN, SUI
37	323-768	SWITCH ADAPTER	1	







